

[54] CONNECTOR HOUSING FOR A PRINTED CIRCUIT BOARD

[75] Inventor: Kikuo Ogawa, Shizuoka, Japan

[73] Assignee: Yazaki Corporation, Japan

[**] Term: 14 Years

[21] Appl. No.: 139,700

[22] Filed: Dec. 30, 1987

[30] Foreign Application Priority Data

Jun. 30, 1987 [JP] Japan 62-26305
 [52] U.S. Cl. D13/147
 [58] Field of Search D13/24, 30; 439/660,
 439/682, 685, 353, 357, 595

[56] References Cited

U.S. PATENT DOCUMENTS
 D. 274,719 7/1984 Casciotti et al. D13/24
 3,264,599 8/1966 Kinkaid D13/24 X
 3,335,393 8/1967 Anderson D13/24 X

OTHER PUBLICATIONS

Cinch Quadricon Connector Advertisement 12-'65.
Elco Connectors on pp. 9, 18 and 25, of Elco 1-2-70.

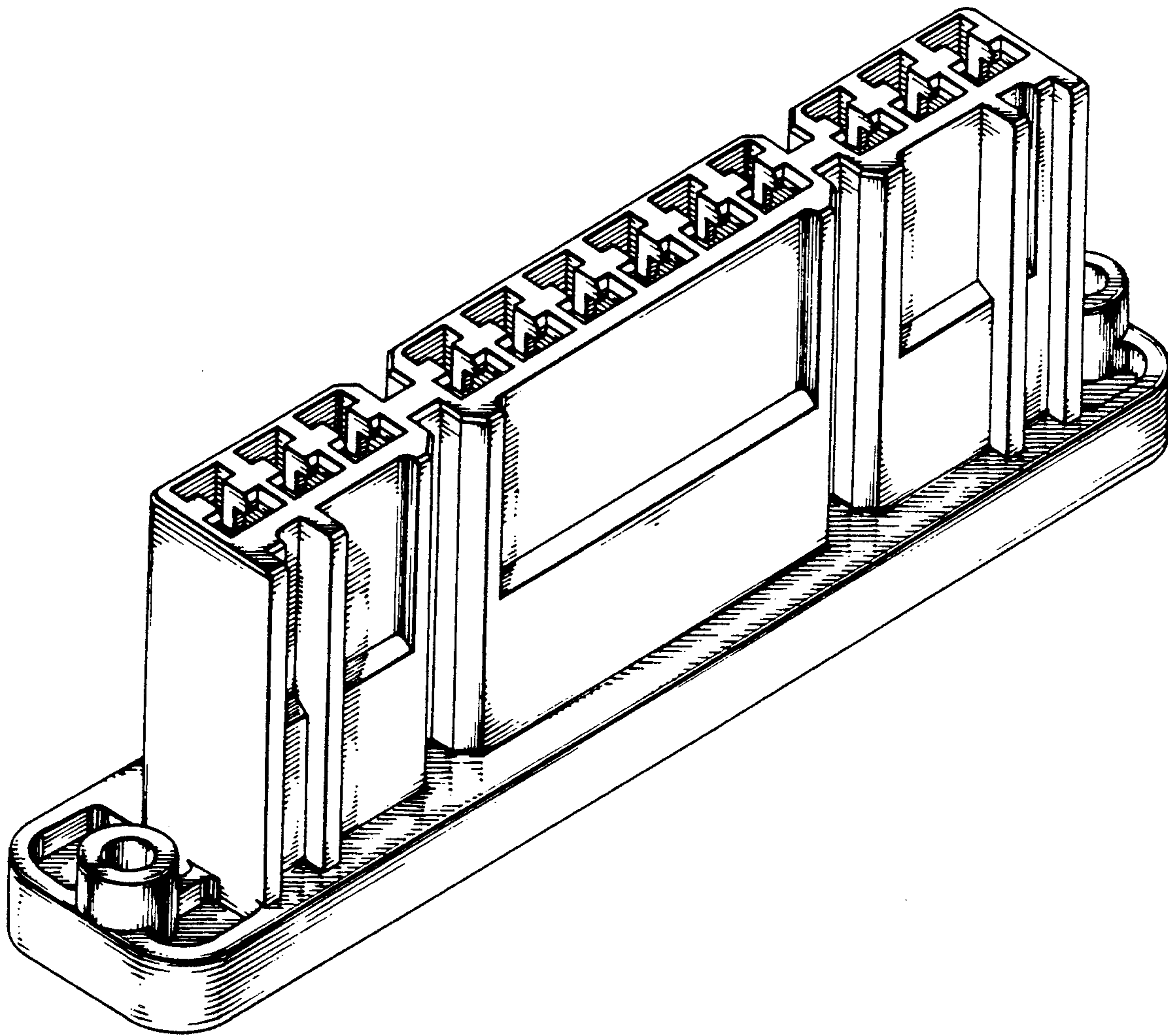
Primary Examiner—Susan J. Lucas
Assistant Examiner—Joel Sincavage
Attorney, Agent, or Firm—Jones, Askew & Lunsford

[57] CLAIM

The ornamental design for a connector housing for a printed circuit board, as shown and described.

DESCRIPTION

FIG. 1 is a perspective view of a connector housing for a printed circuit board showing my new design;
 FIG. 2 is a top plan view thereof;
 FIG. 3 is a front elevational view thereof;
 FIG. 4 is a rear elevational view thereof;
 FIG. 5 is a bottom plan view thereof;
 FIG. 6 is a right elevation view thereof, the left elevation view being a mirror image;
 FIG. 7 is a section view taken along line 7—7 of FIG. 3;
 FIG. 8 is another section view taken along line 8—8 of FIG. 3;
 FIG. 9 is yet another section view taken along line 9—9 of FIG. 3.



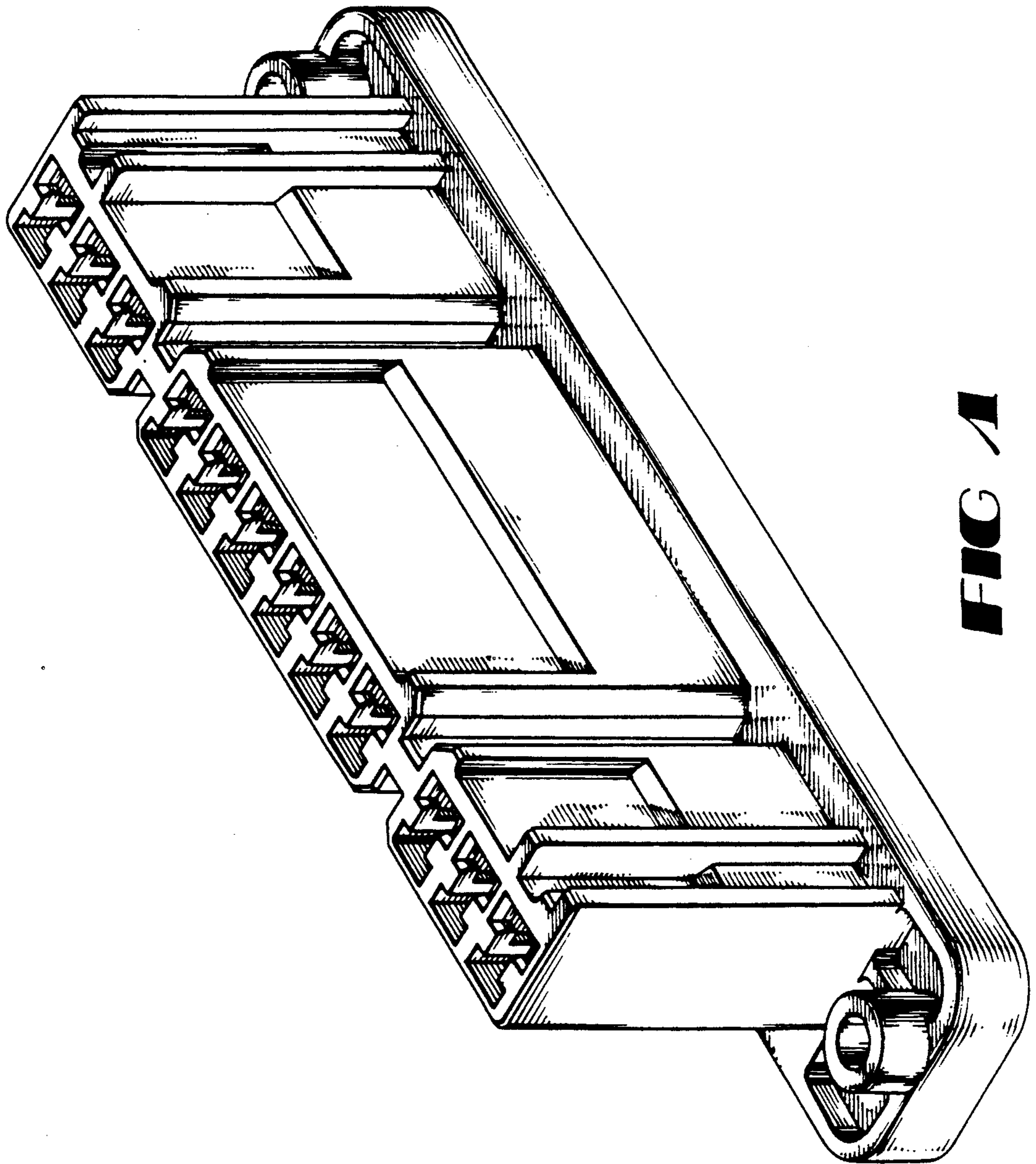


FIG. 1