

[54] SAFETY CONTROL PLUG FOR APPLIANCES

[75] Inventors: Luc Heiligenstein; Francois Geneve; Stephen Melamed, all of Chicago, Ill.

[73] Assignee: Associated Mills Inc., Chicago, Ill.

[**] Term: 14 Years

[21] Appl. No.: 161,664

[22] Filed: Feb. 29, 1988

[52] U.S. Cl. D13/142; D13/171

[58] Field of Search D13/137, 138, 142, 160, D13/171; 200/43.02, 51 R, 334

[56] References Cited

U.S. PATENT DOCUMENTS

D. 294,823 3/1988 Holmes D13/171

3,269,209 8/1966 Davis D13/171 X
3,324,260 6/1967 Schumacher 200/51.1
4,388,672 6/1983 Skill 361/412

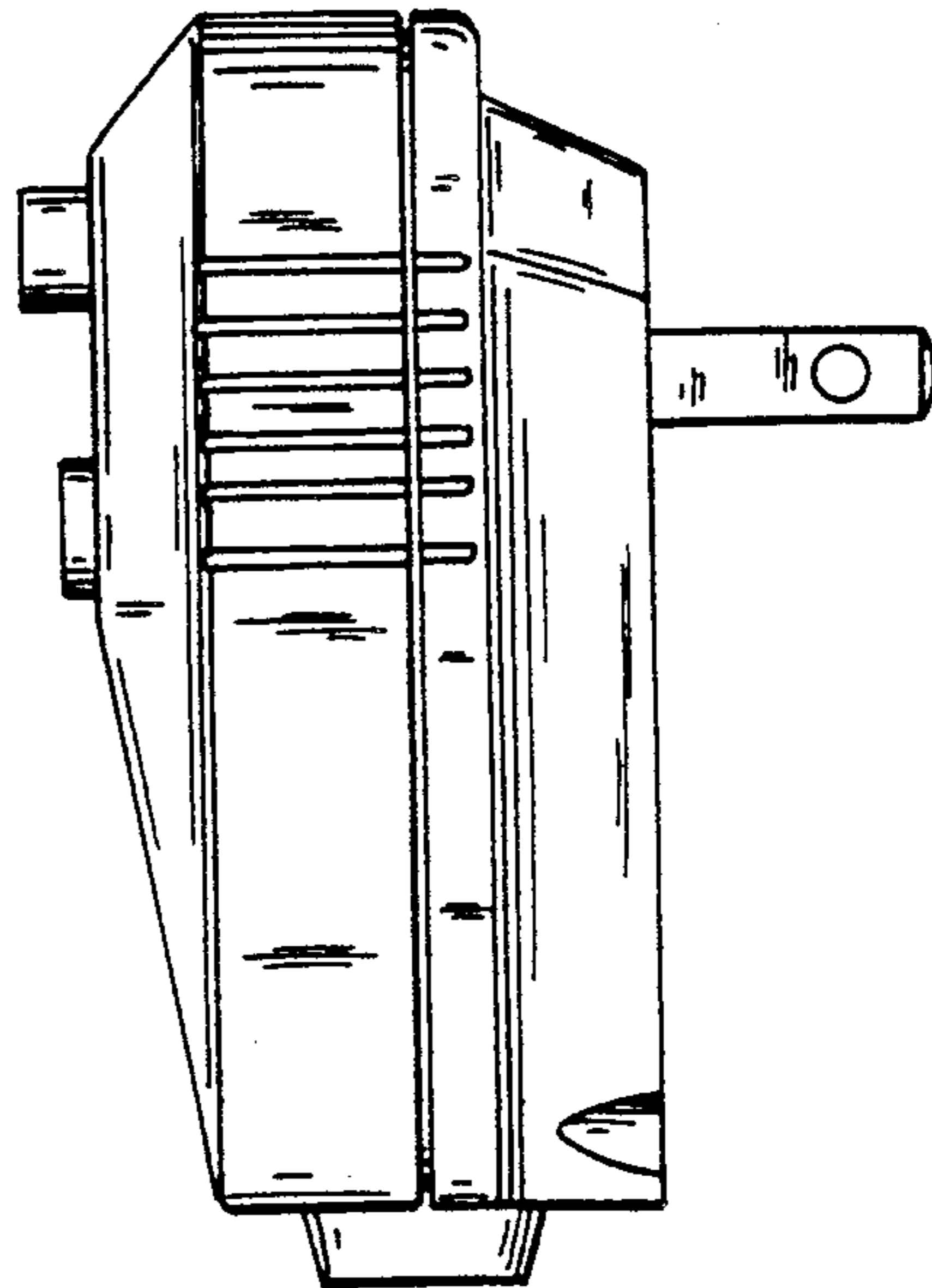
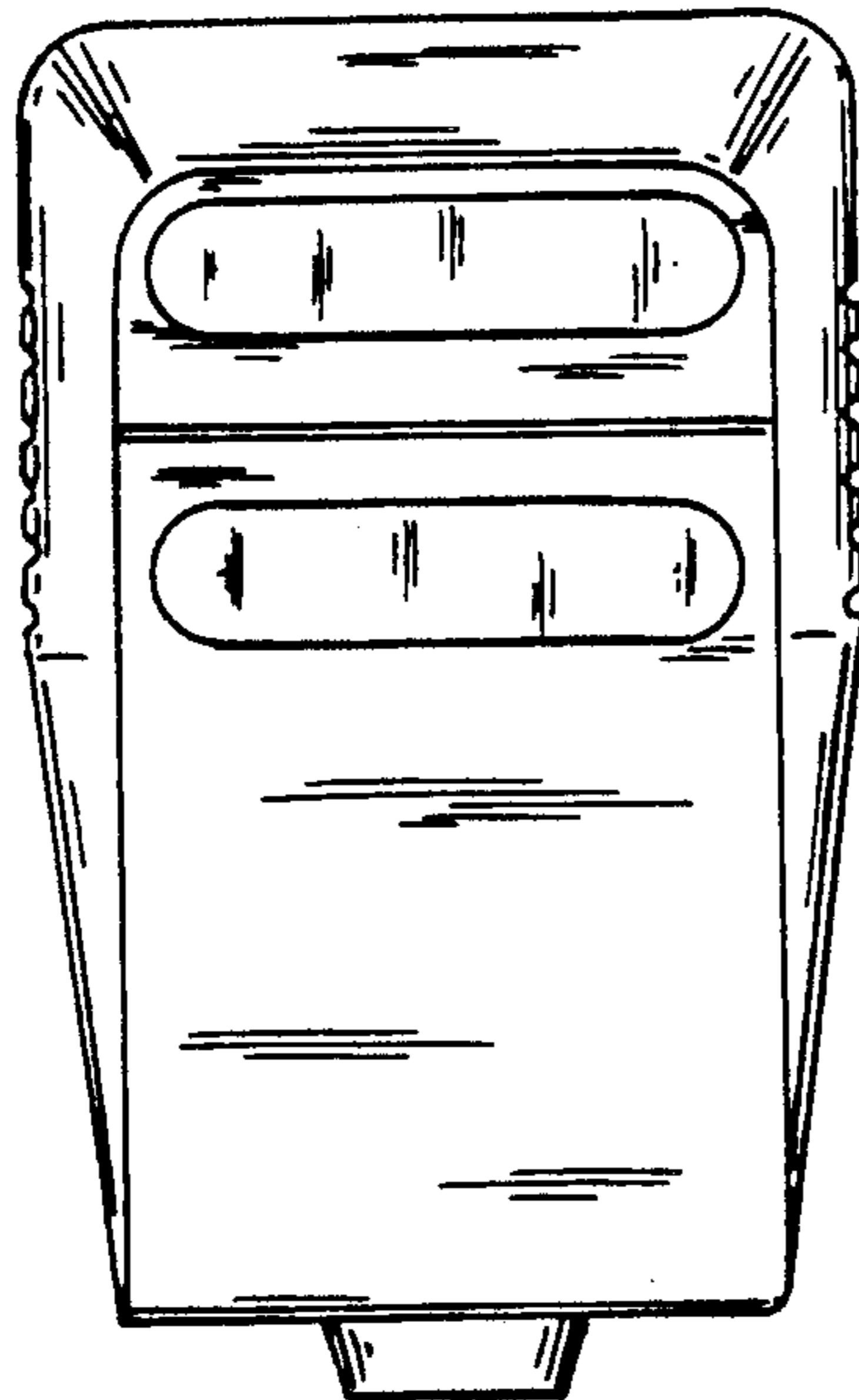
Primary Examiner—Susan J. Lucas
Assistant Examiner—Joel Sincavage
Attorney, Agent, or Firm—Laff, Whitesel, Conte & Saret

[57] CLAIM

The ornamental design for a safety control plug for appliances, as shown.

DESCRIPTION

FIG. 1 is a top plan view of a safety control plug for appliances showing our new design;
FIG. 2 is a front elevational view thereof;
FIG. 3 is a left side elevational view thereof;
FIG. 4 is a right side elevational view thereof;
FIG. 5 is a rear elevational view thereof;
FIG. 6 is a bottom plan view thereof.



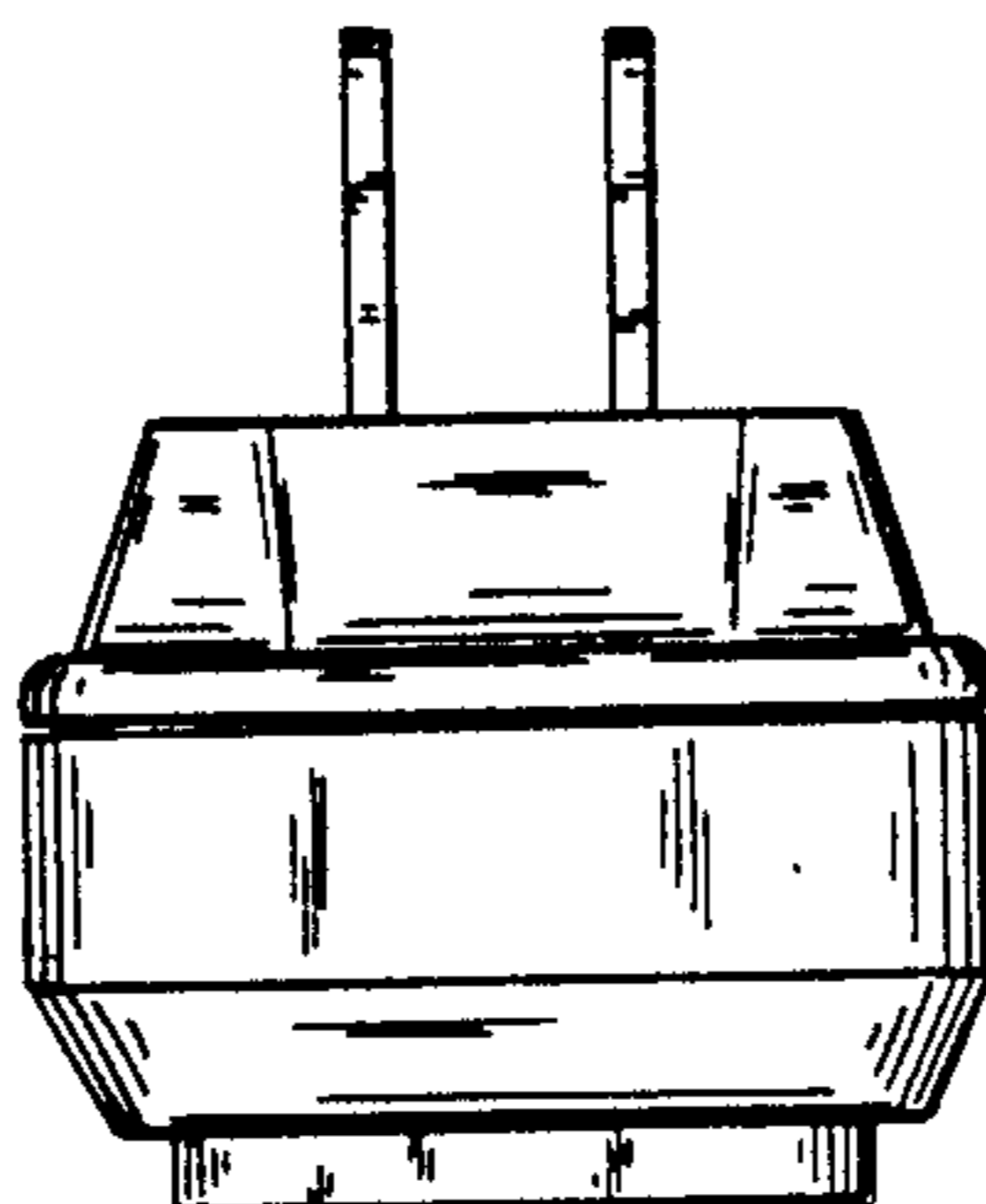


FIG. 2

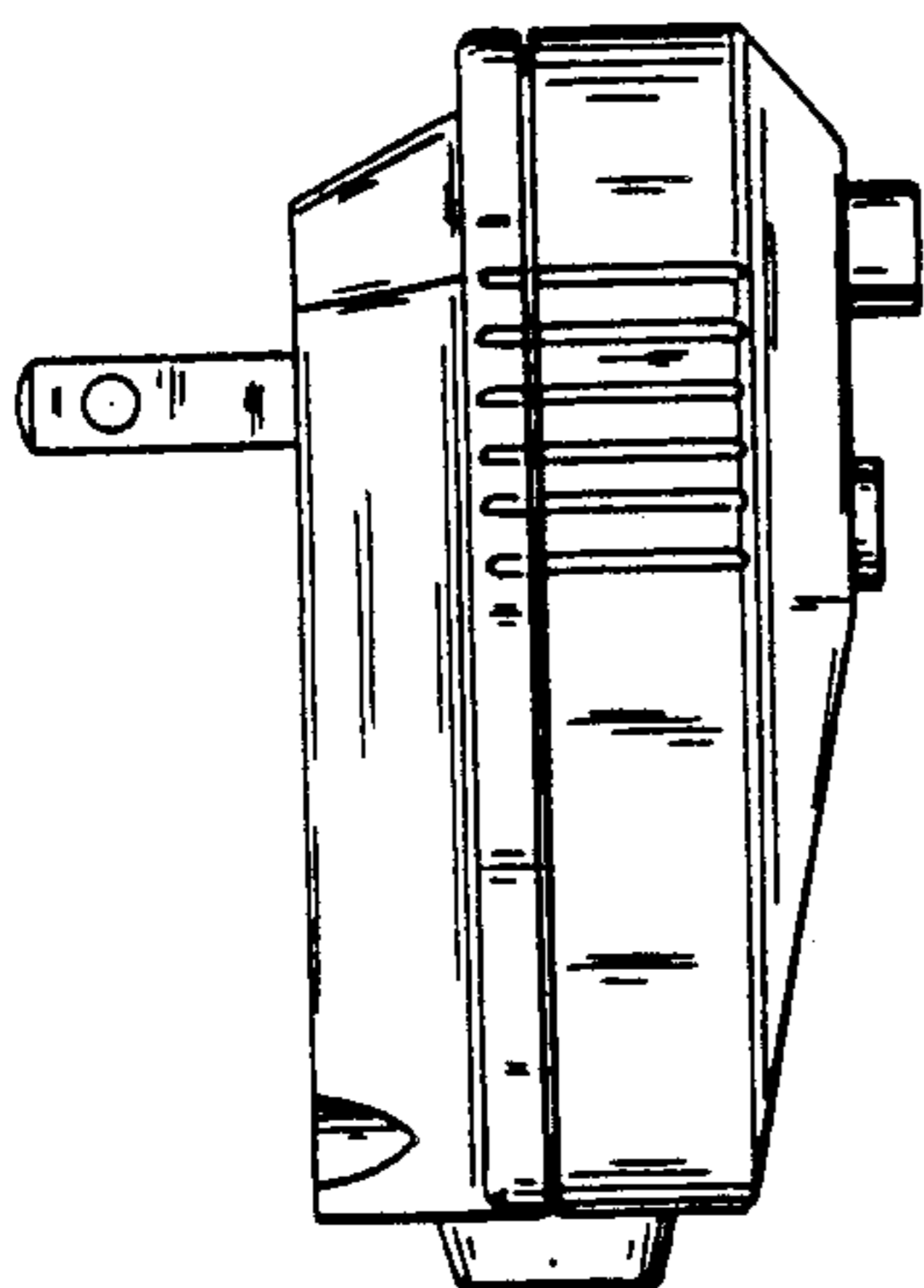


FIG. 3

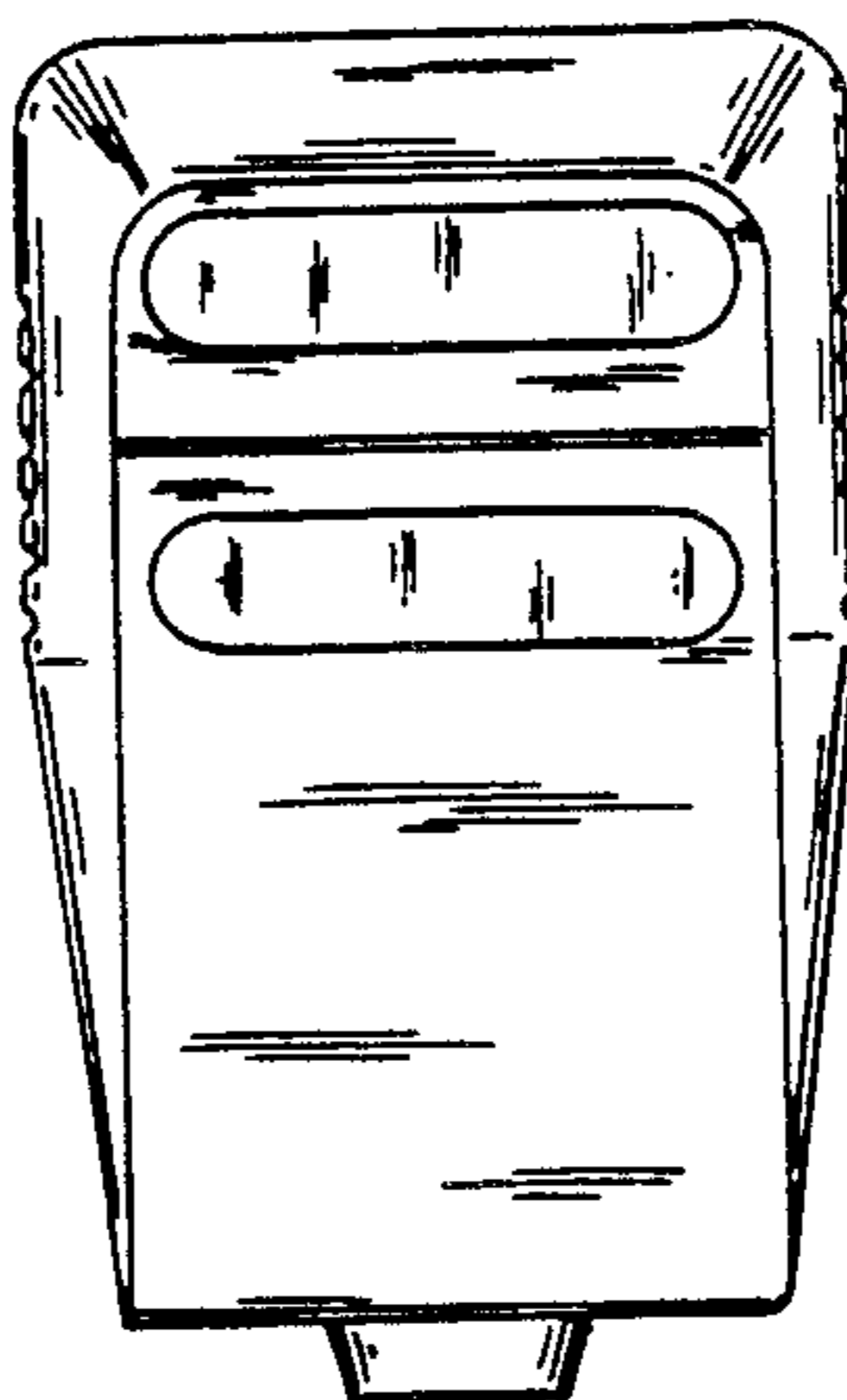


FIG. 1

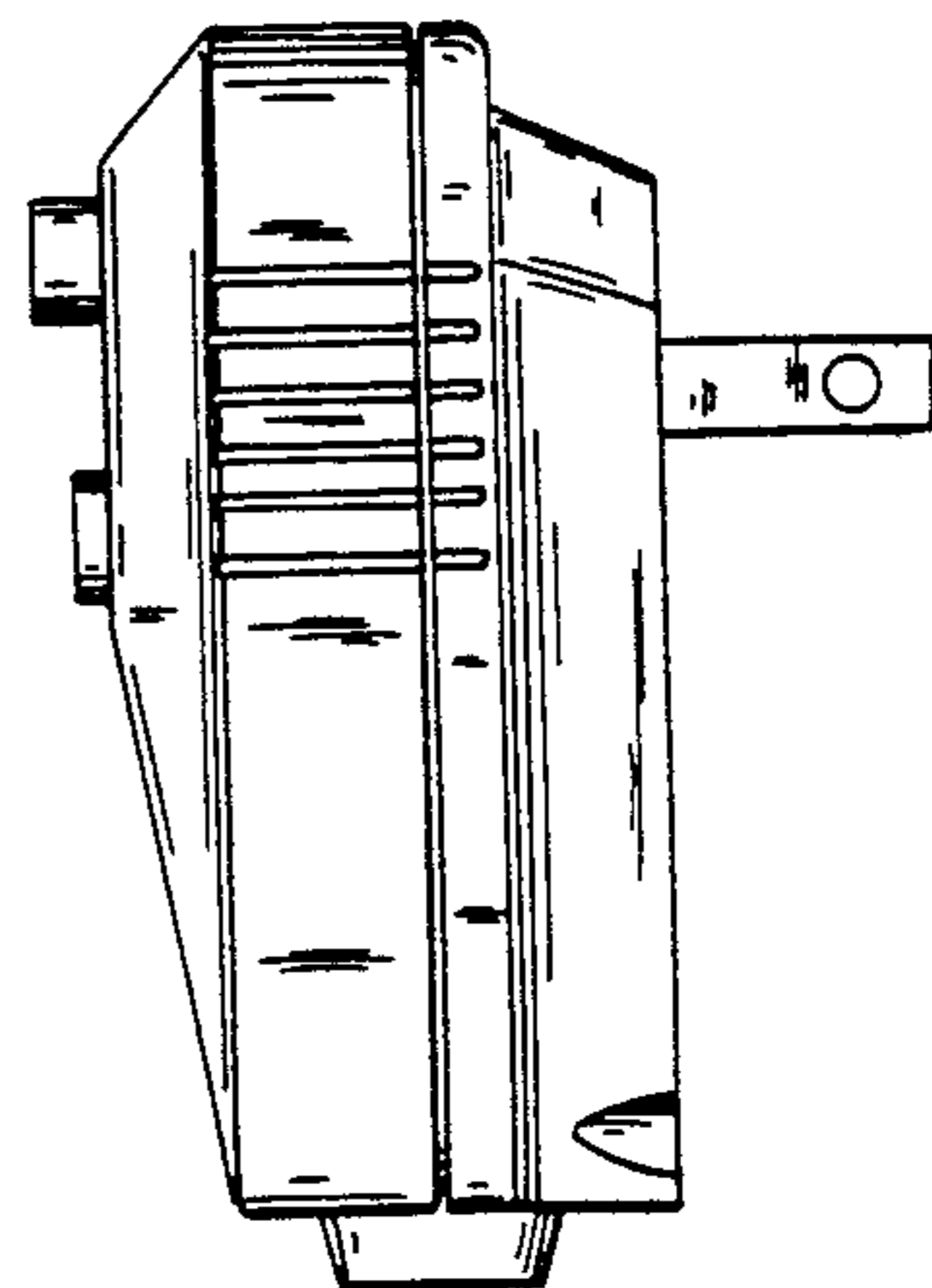


FIG. 4

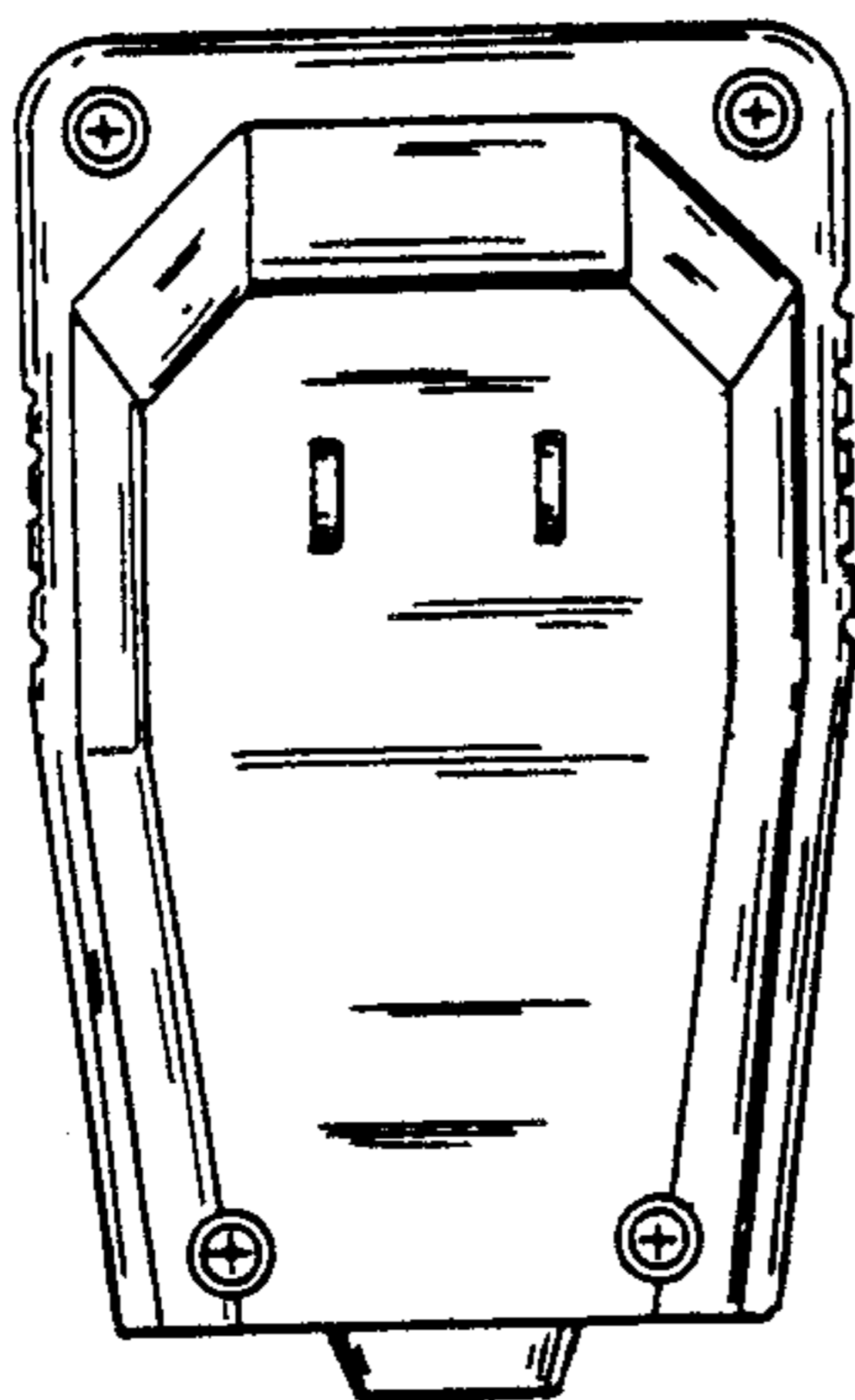


FIG. 6

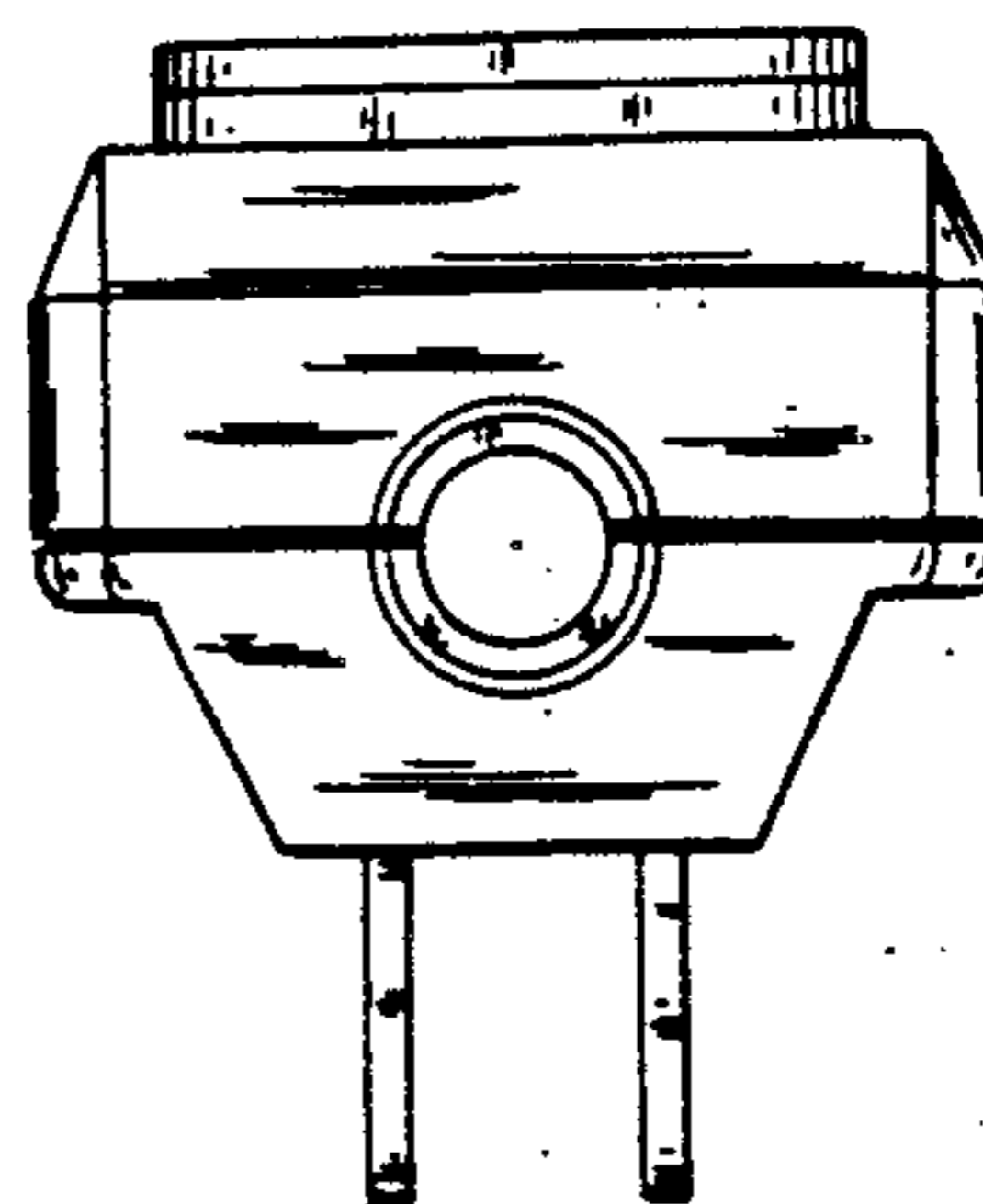


FIG. 5