

[54] FIBER OPTIC COMPONENT

[75] Inventors: Jocelyn M. Weber, Palo Alto; Douglas M. Thom, Woodside; Michael T. Kennedy, Mountain View, all of Calif.

[73] Assignee: Hewlett-Packard Company, Palo Alto, Calif.

[**] Term: 14 Years

[21] Appl. No.: 103,576

[22] Filed: Sep. 30, 1987

[52] U.S. Cl. D13/133; D13/199

[58] Field of Search D13/133; D16/130; 350/96.2; 439/314-319

[56] References Cited

U.S. PATENT DOCUMENTS

4,410,469	10/1983	Katagiri et al.	350/96.2
4,461,537	7/1984	Raymor, II et al.	350/96.2
4,684,210	8/1987	Matsunaga et al.	350/96.2
4,803,689	2/1989	Shibamura	350/96.2

OTHER PUBLICATIONS

HP HFBR-2402 Data Sheet, Apr. 1985.
HP HFBR-2404 Data Sheet, Apr. 1985.
HP HFBR-1402, HFBR 1404 Data Sheet, Apr. 1985.
HP HFBR X400 Photo, Apr. 1985.
AT&T ODL-02X Preliminary Data Sheet, Sep. 1986.
AT&T ODL-50 Preliminary Data Sheet, Dec. 1985.
AT&T ST Connector Data Sheet, 1986.

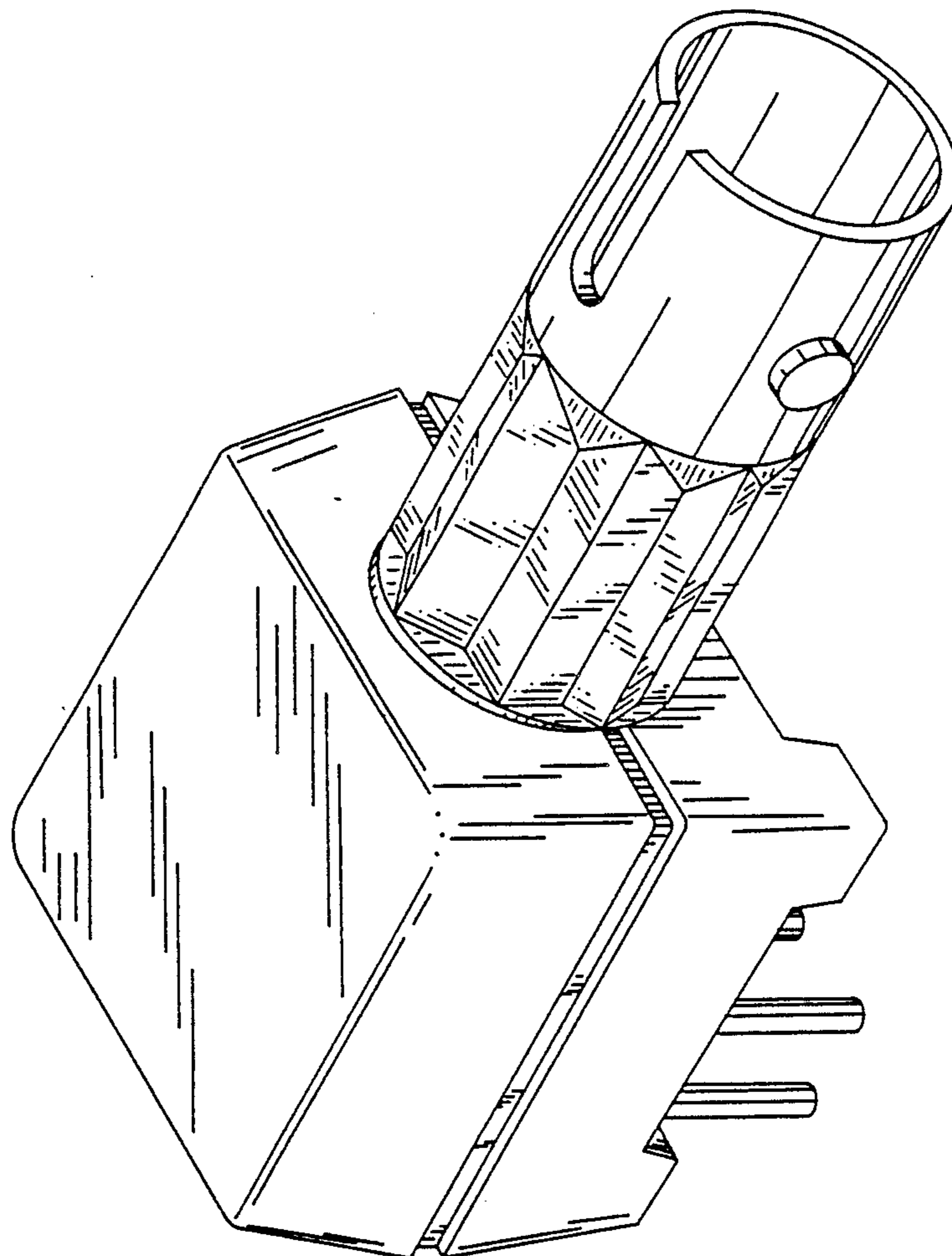
Primary Examiner—Susan J. Lucas
Assistant Examiner—Joel Sincavage

[57] CLAIM

The ornamental design for a fiber optic component, as shown and described.

DESCRIPTION

FIG. 1 is a perspective view of a fiber optic component showing our new design on an enlarged scale; FIG. 2 is a front elevational view of a fiber optic component showing our new design; FIG. 3 is a top plan view thereof; FIG. 4 is a rear elevational view thereof; FIG. 5 is a bottom plan view thereof; FIG. 6 is a left side elevational view thereof; and FIG. 7 is a right side elevational view thereof.



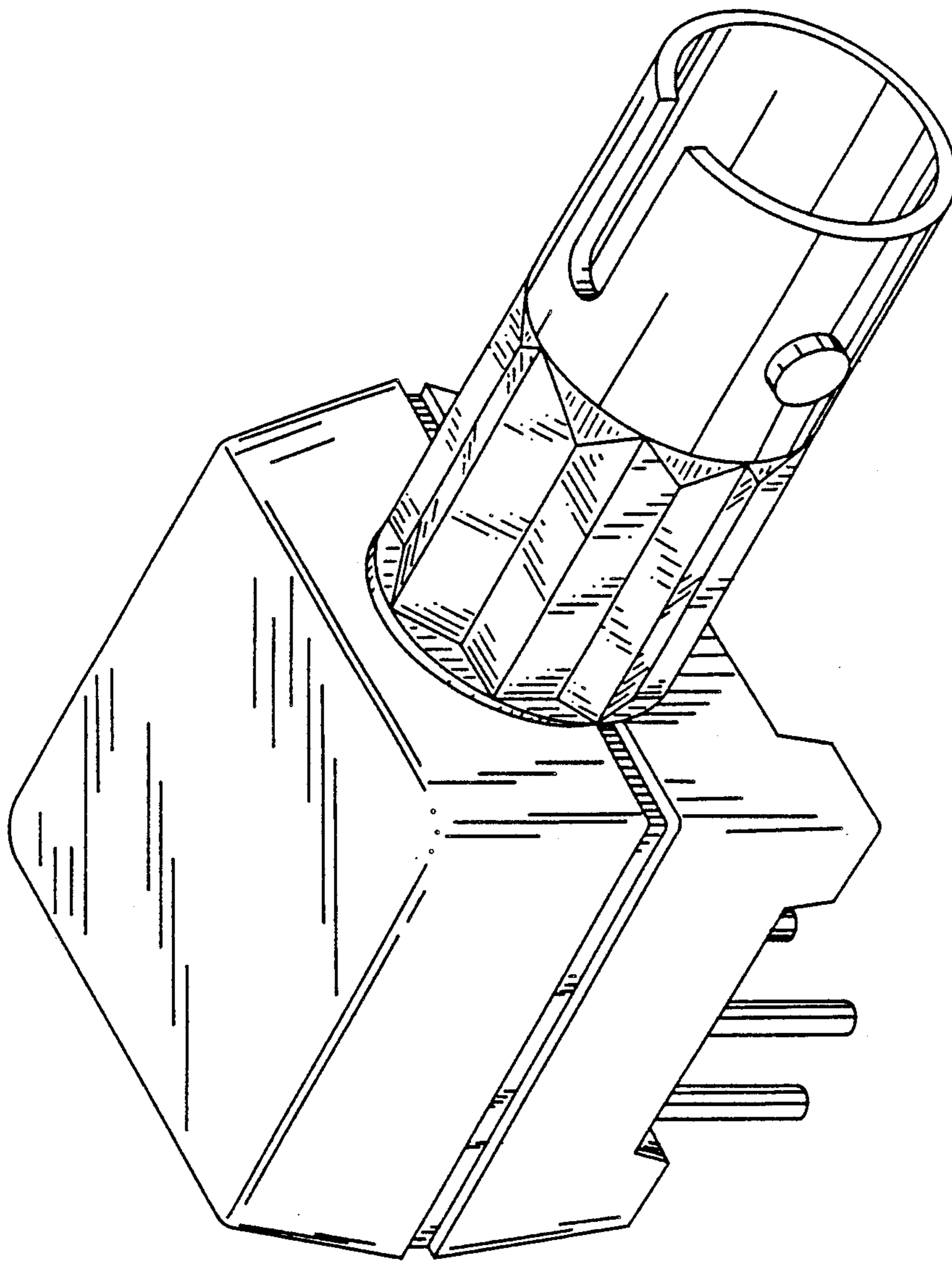


FIG 1

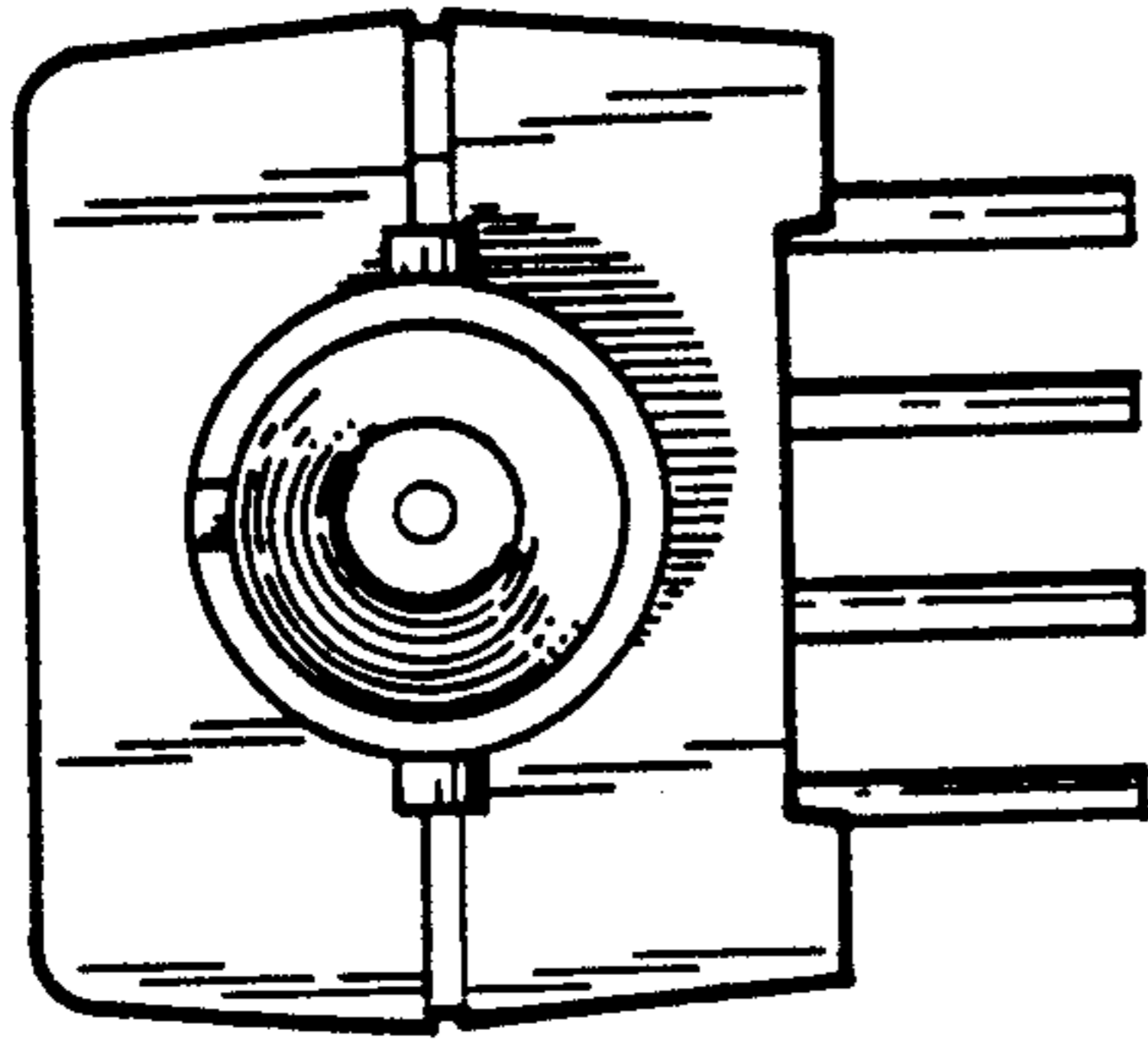


FIG 2

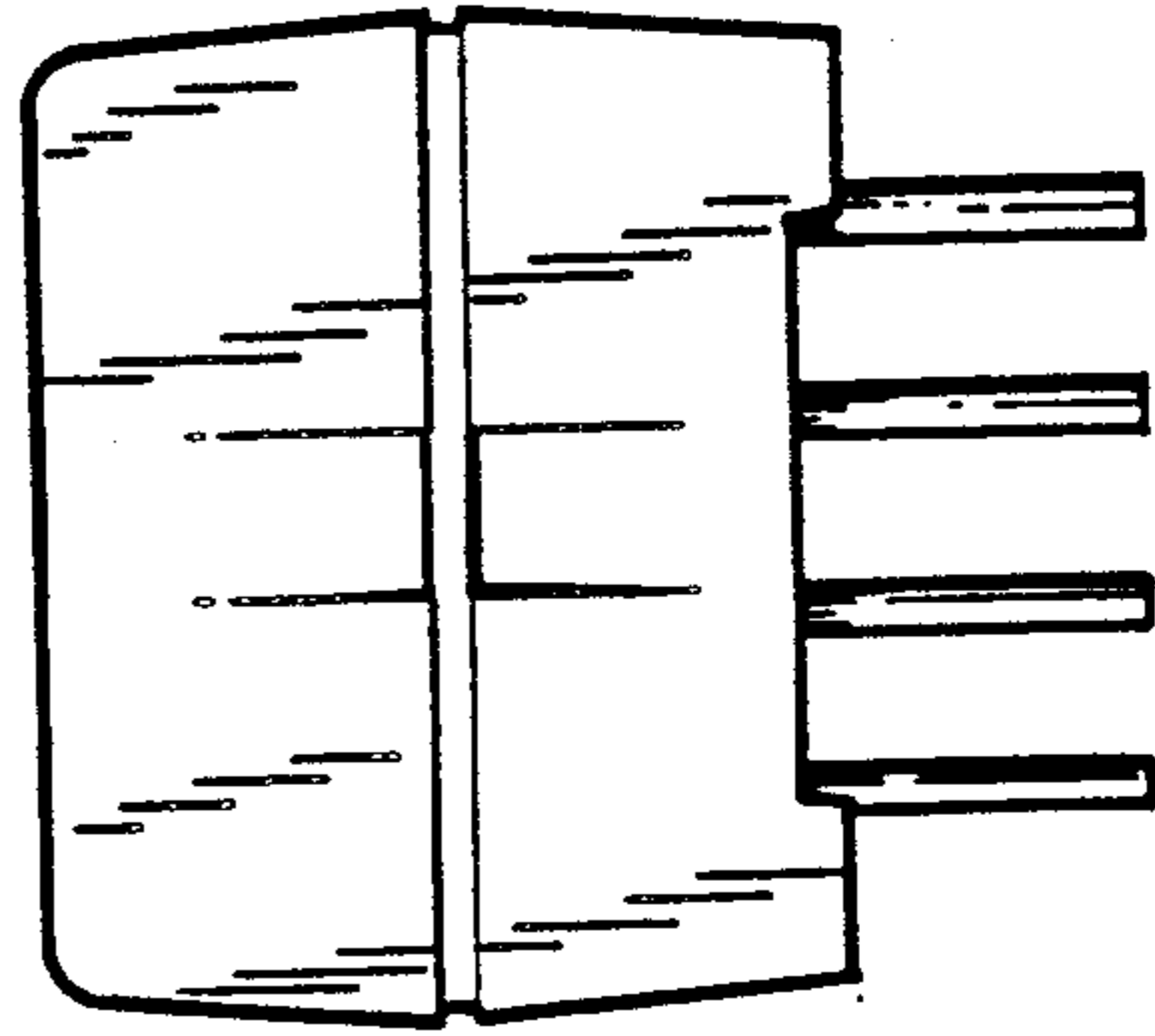


FIG 4

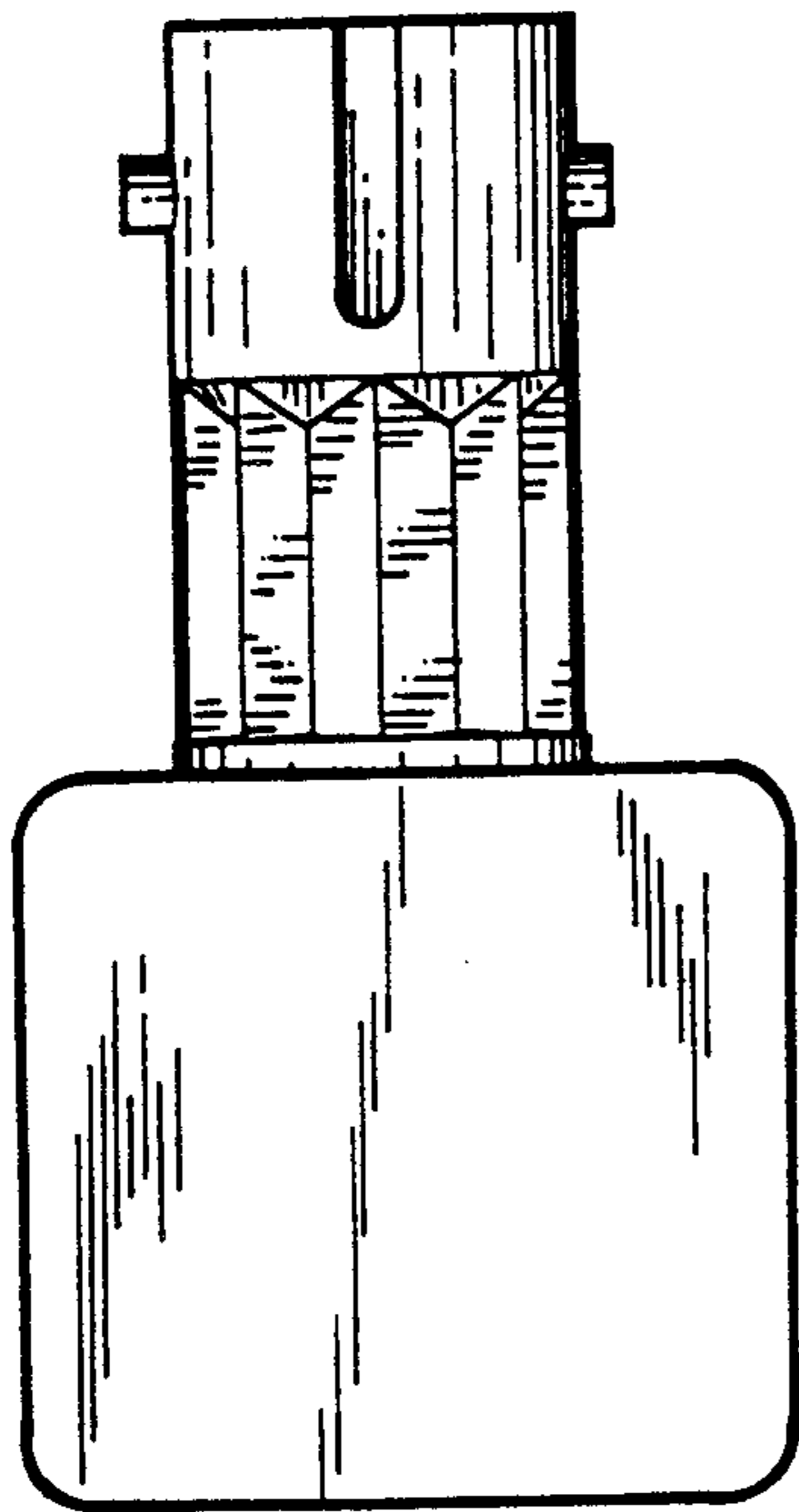


FIG 3

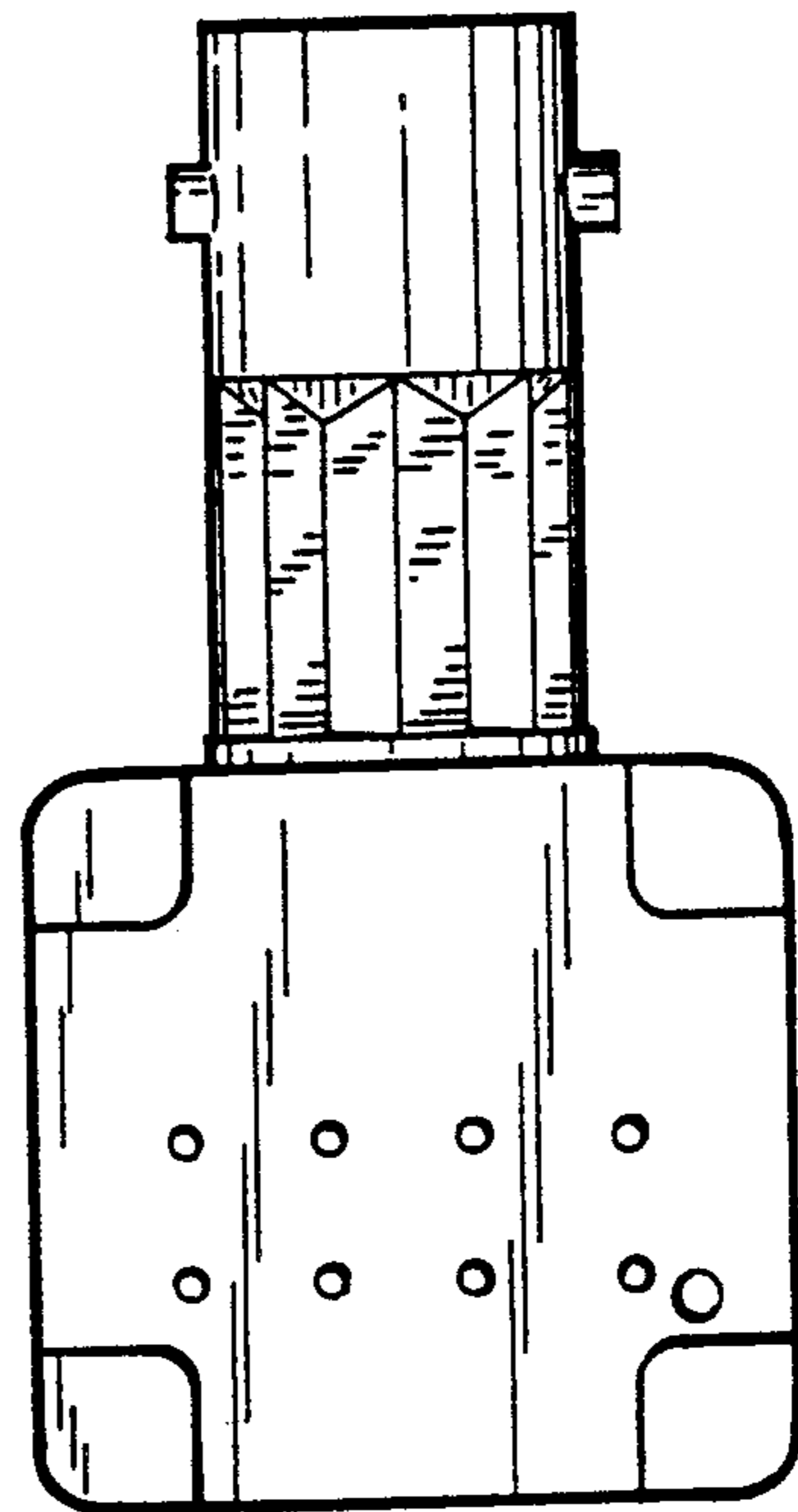


FIG 5

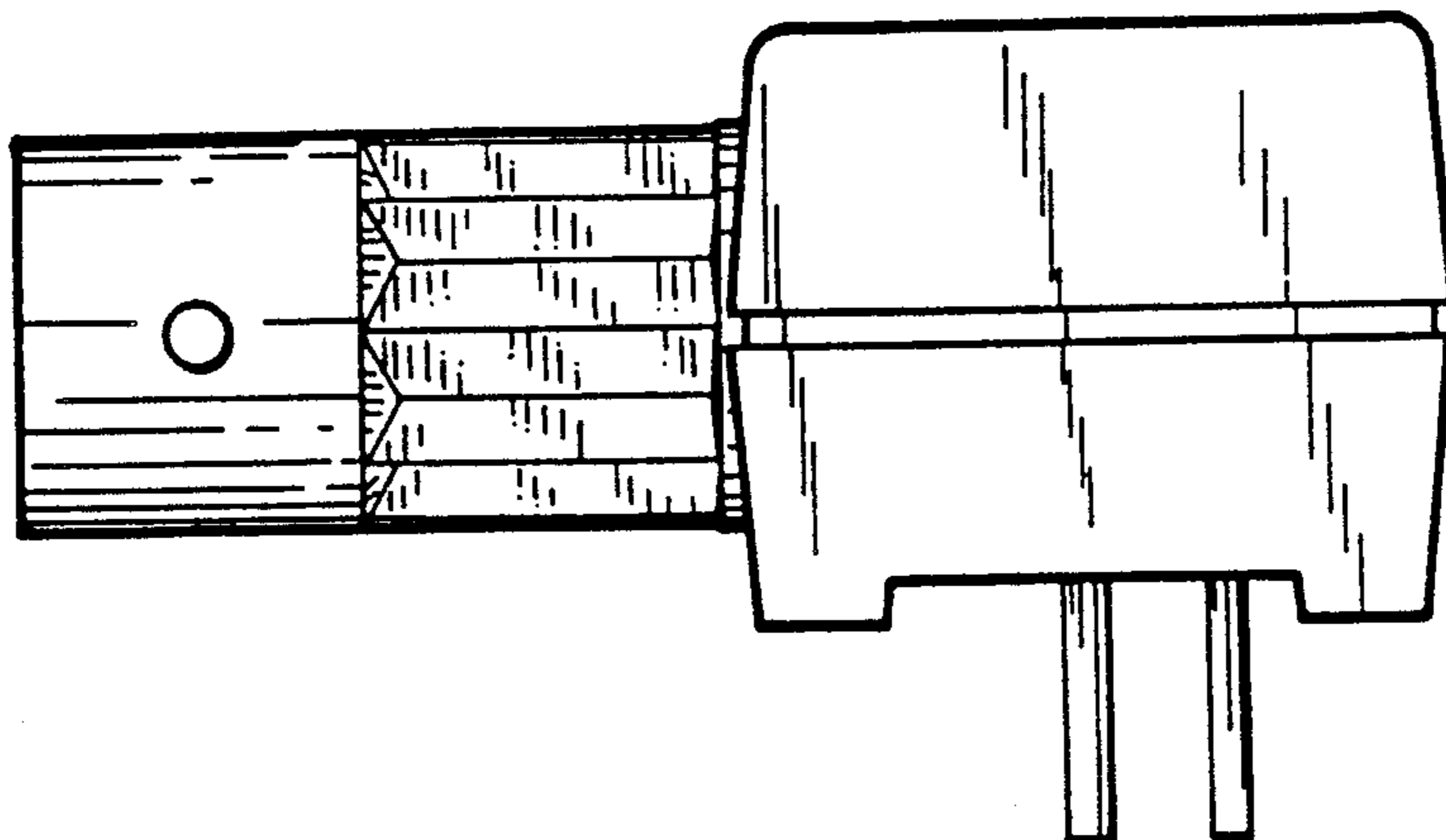


FIG 6

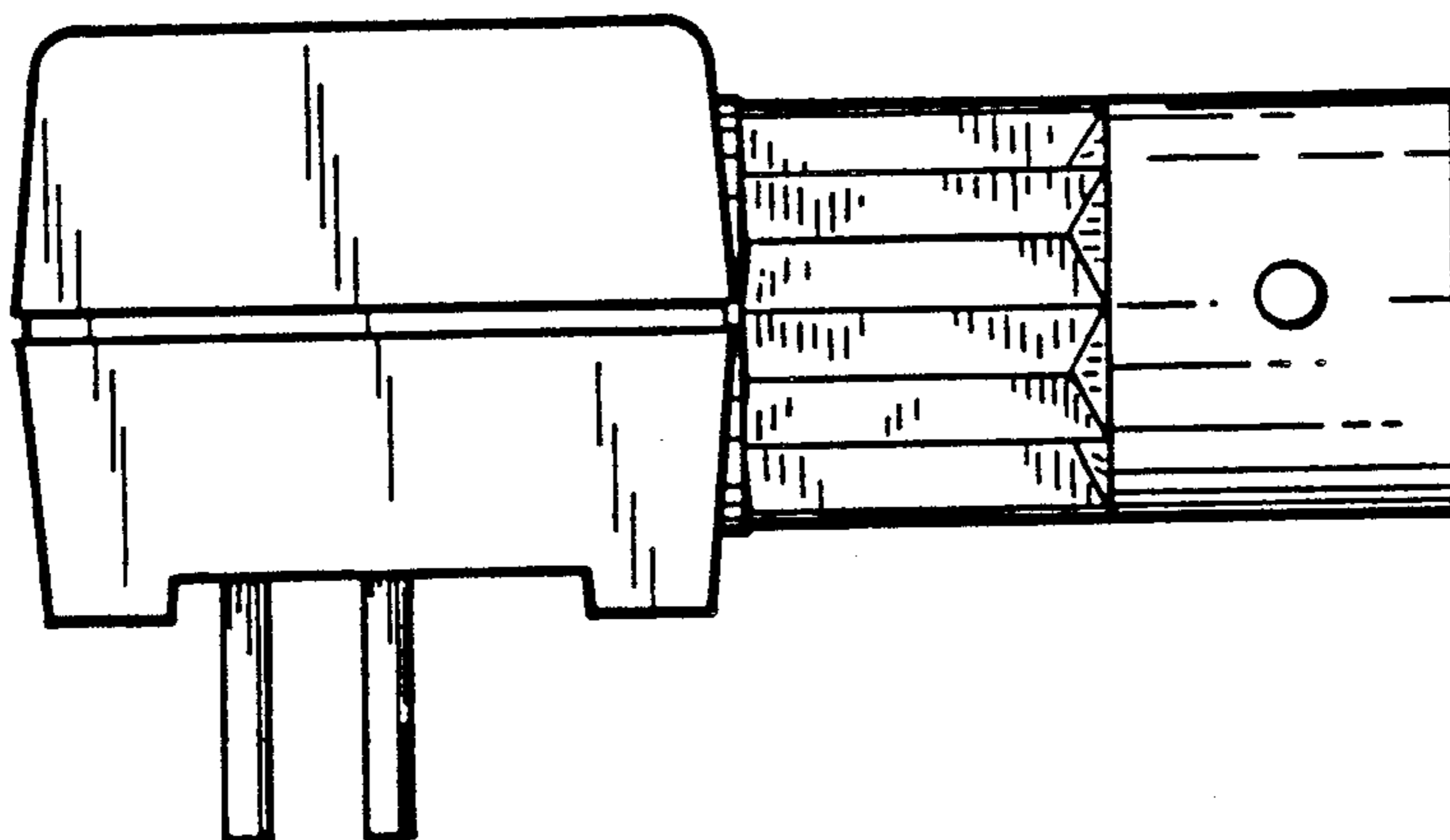


FIG 7