

[54] UNINTERRUPTIBLE POWER SUPPLY SYSTEM

[75] Inventor: Peter K. M. Wong, Jen Te Hsiang, Taiwan

[73] Assignee: Lumen Electronics Corporation, Tainan Hsien, Taiwan

[**] Term: 14 Years

[21] Appl. No.: 389,557

[22] Filed: Aug. 4, 1989

[52] U.S. Cl. D13/123; D13/160; D13/147; D13/184

[58] Field of Search D13/137, 142, 164, 184; D14/107; 361/56, 58, 89-92, 111, 118, 119, 412, 395; 174/52.1, 52

[56] References Cited

U.S. PATENT DOCUMENTS

- D. 241,448 9/1976 Clowe D14/107
- D. 270,530 9/1983 Bowder et al. D13/160 X
- D. 276,234 11/1984 Banks et al. D14/107

D. 284,959 8/1986 Berg D13/184

OTHER PUBLICATIONS

Data Saver on p. 88 of *INMAC* Catalog, 3-86, Located with Computer Accessories Catalogs.
Uninterruptable Power Supply on p. 75, of *Global Catalog*, ©1985 Located with Computer Accessories Catalog.

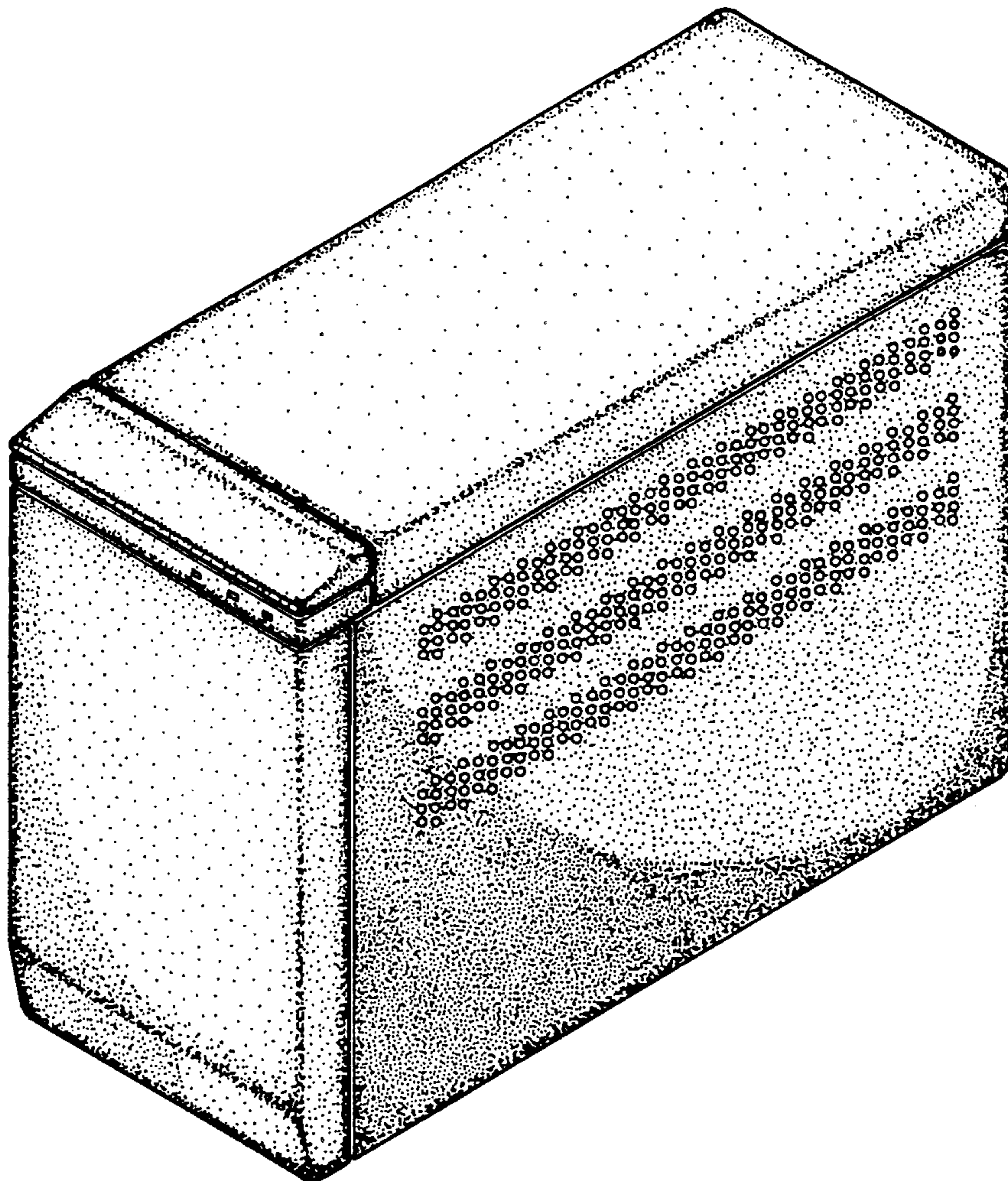
Primary Examiner—Susan J. Lucas
Assistant Examiner—Joel Sincavage

[57] CLAIM

The ornamental design for an uninterruptible power supply system, as shown.

DESCRIPTION

FIG. 1 is a perspective view of an uninterruptible power supply system showing my new design; FIG. 2 is a front elevational view thereof; FIG. 3 is a right side elevational view thereof; FIG. 4 is a top plan view thereof; FIG. 5 is a rear elevational view thereof; FIG. 6 is a left side elevational view thereof; and FIG. 7 is a bottom plan view thereof.



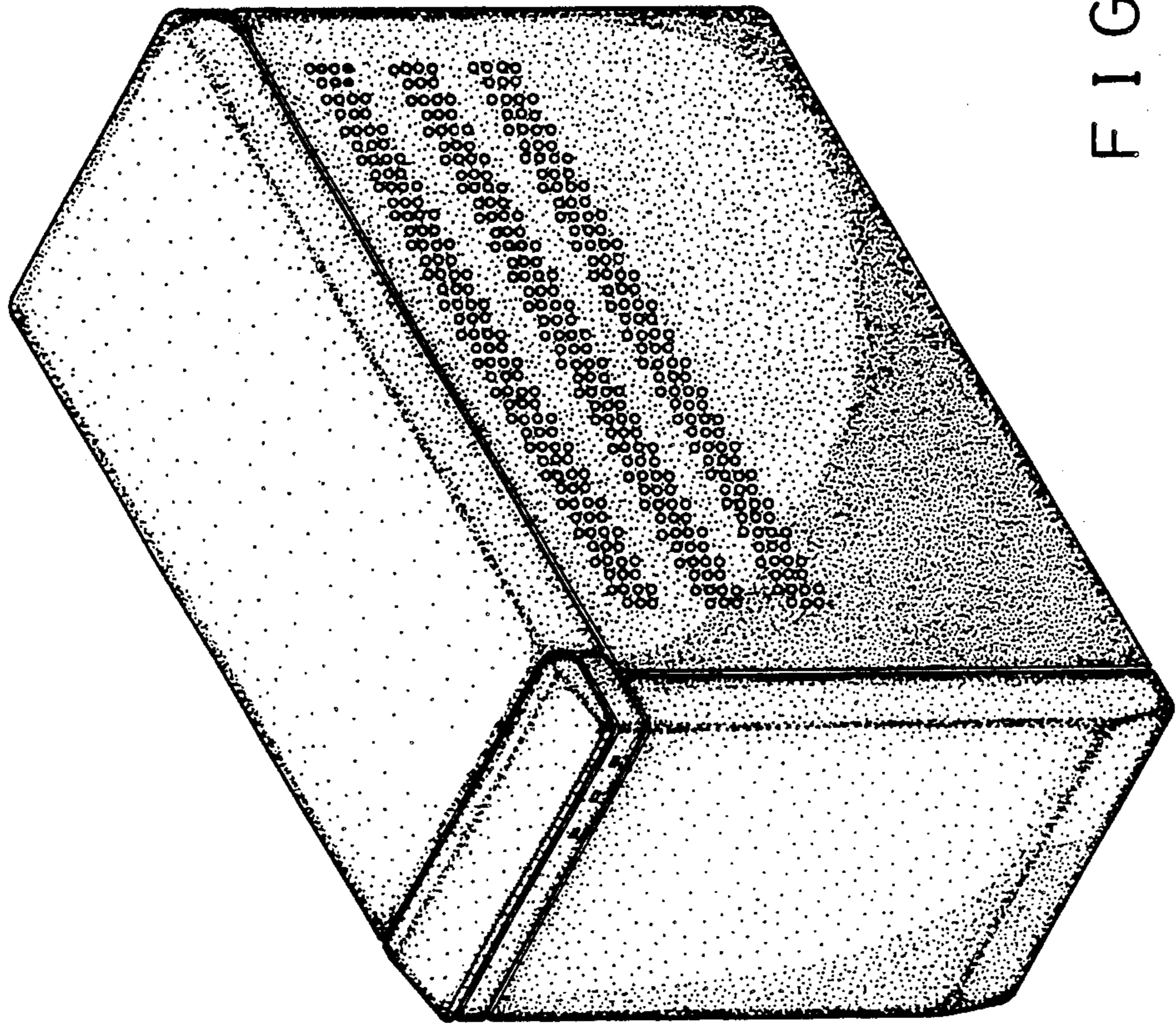


FIG. 1

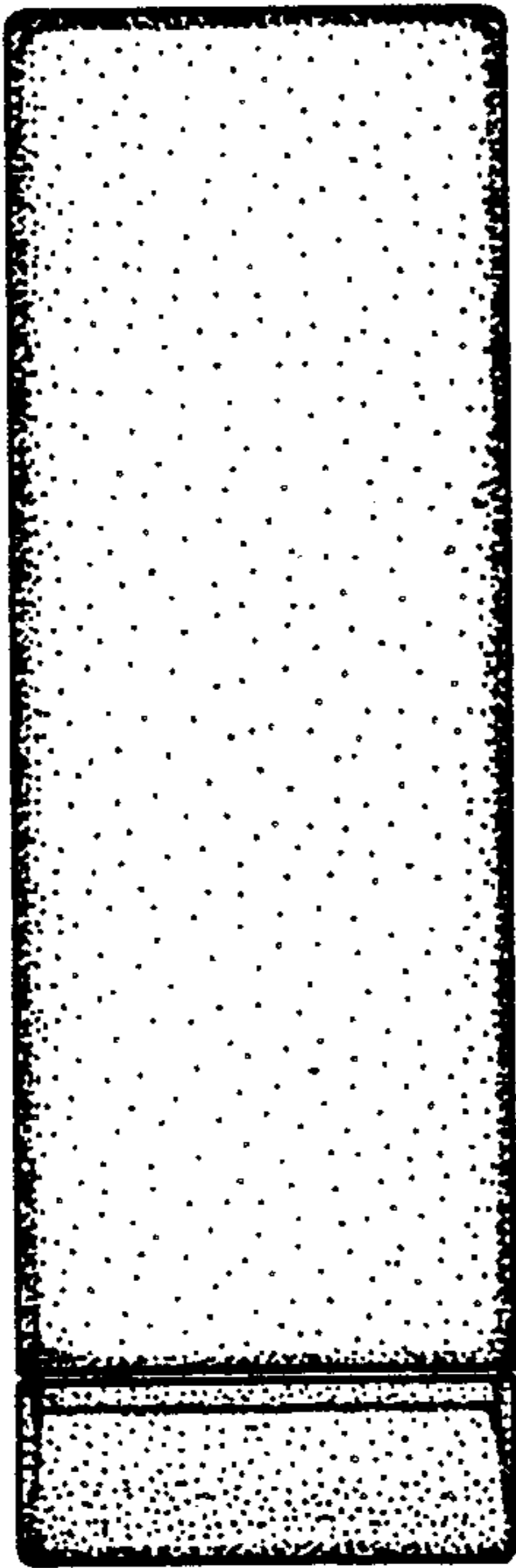


FIG. 4

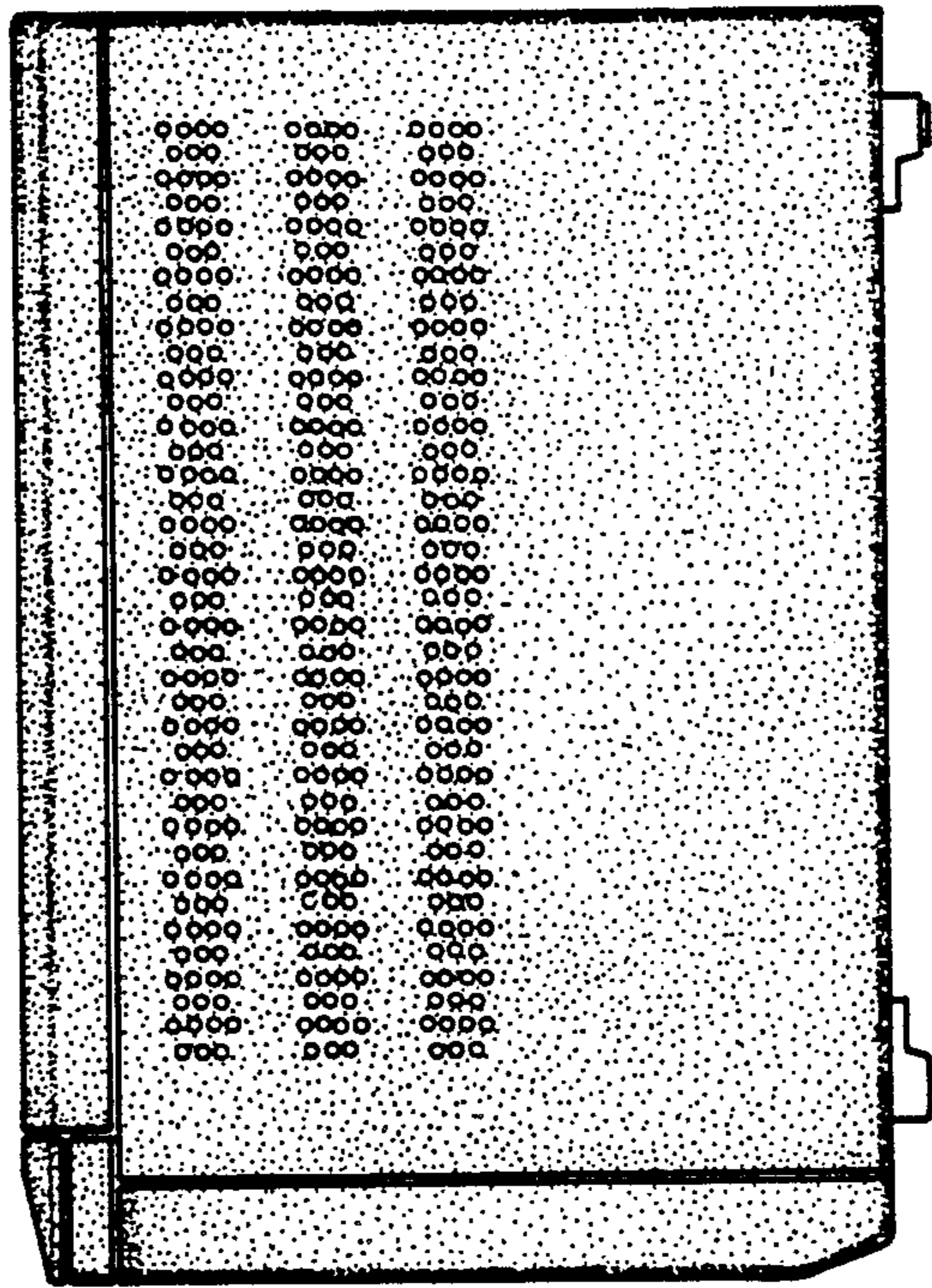


FIG. 3

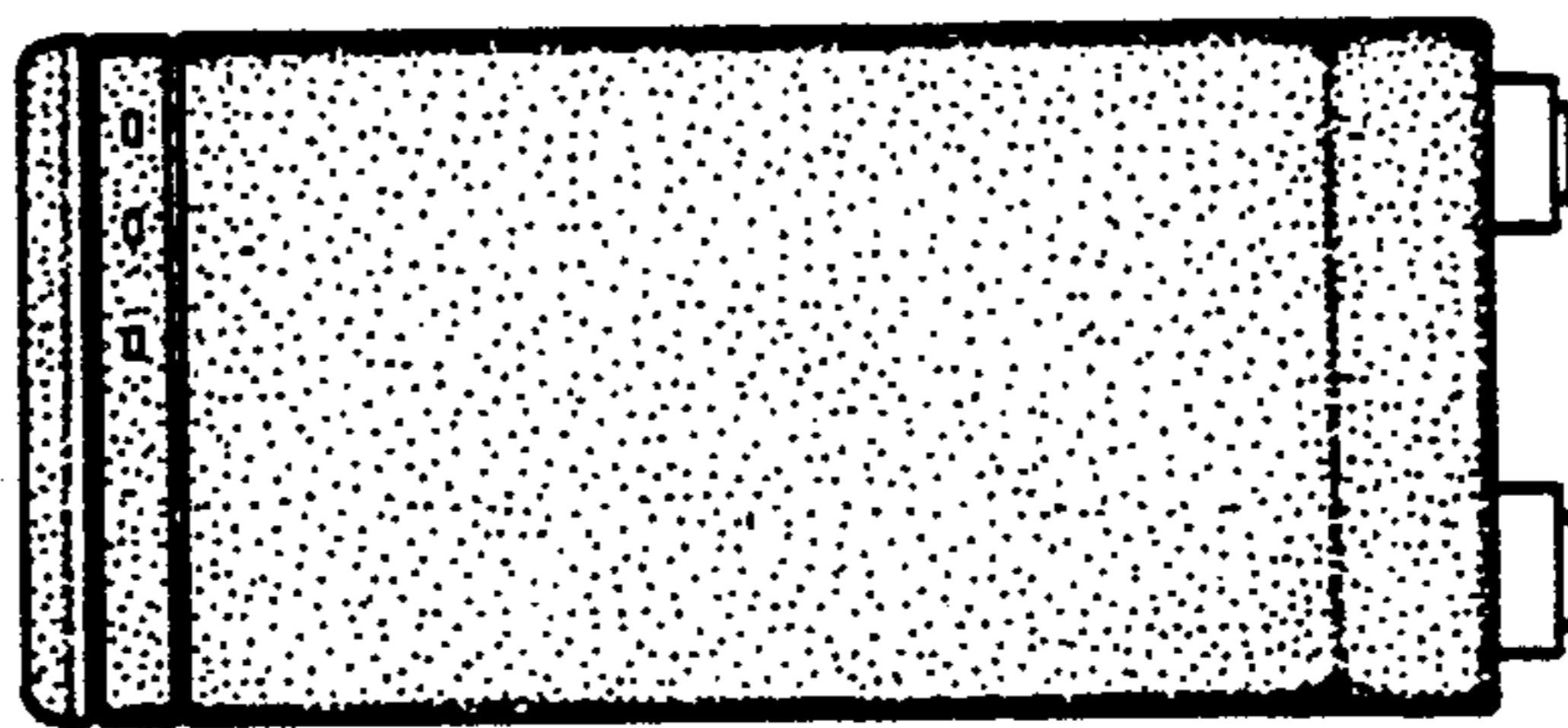


FIG. 2

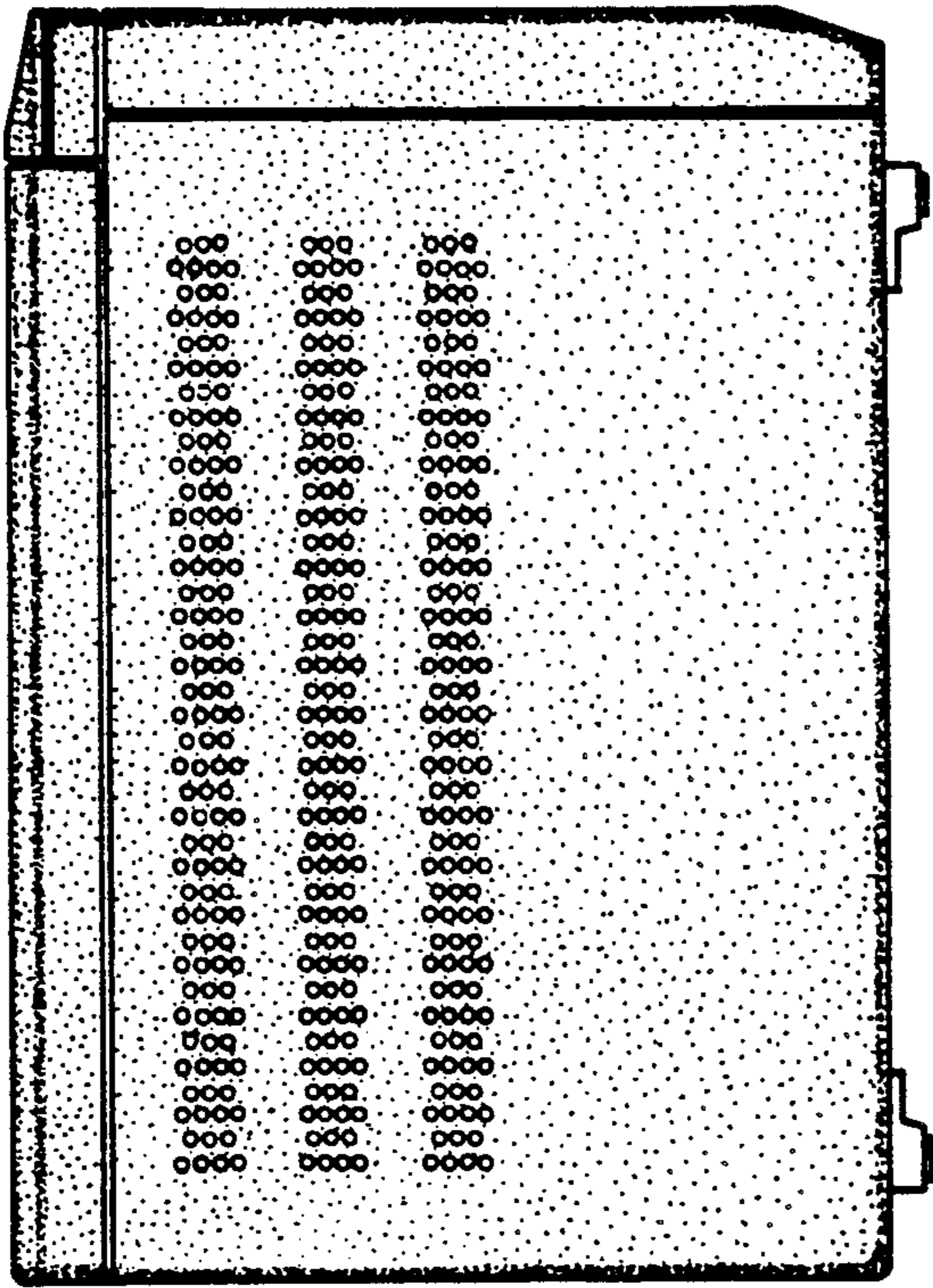


FIG. 6

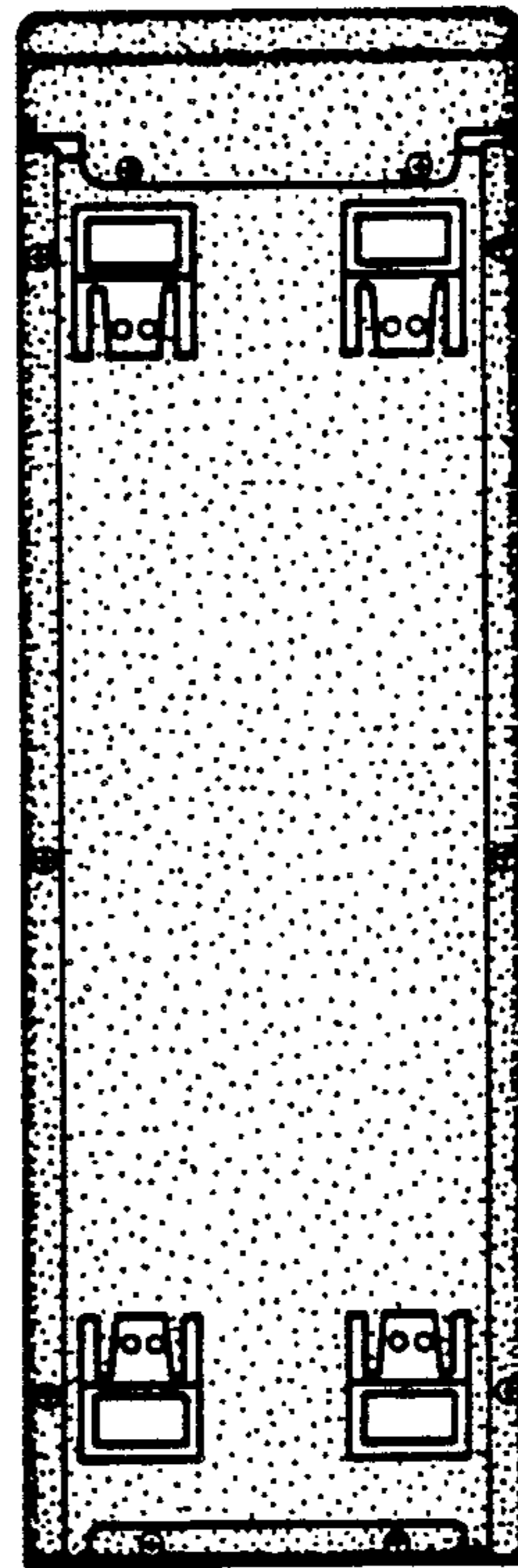


FIG. 7

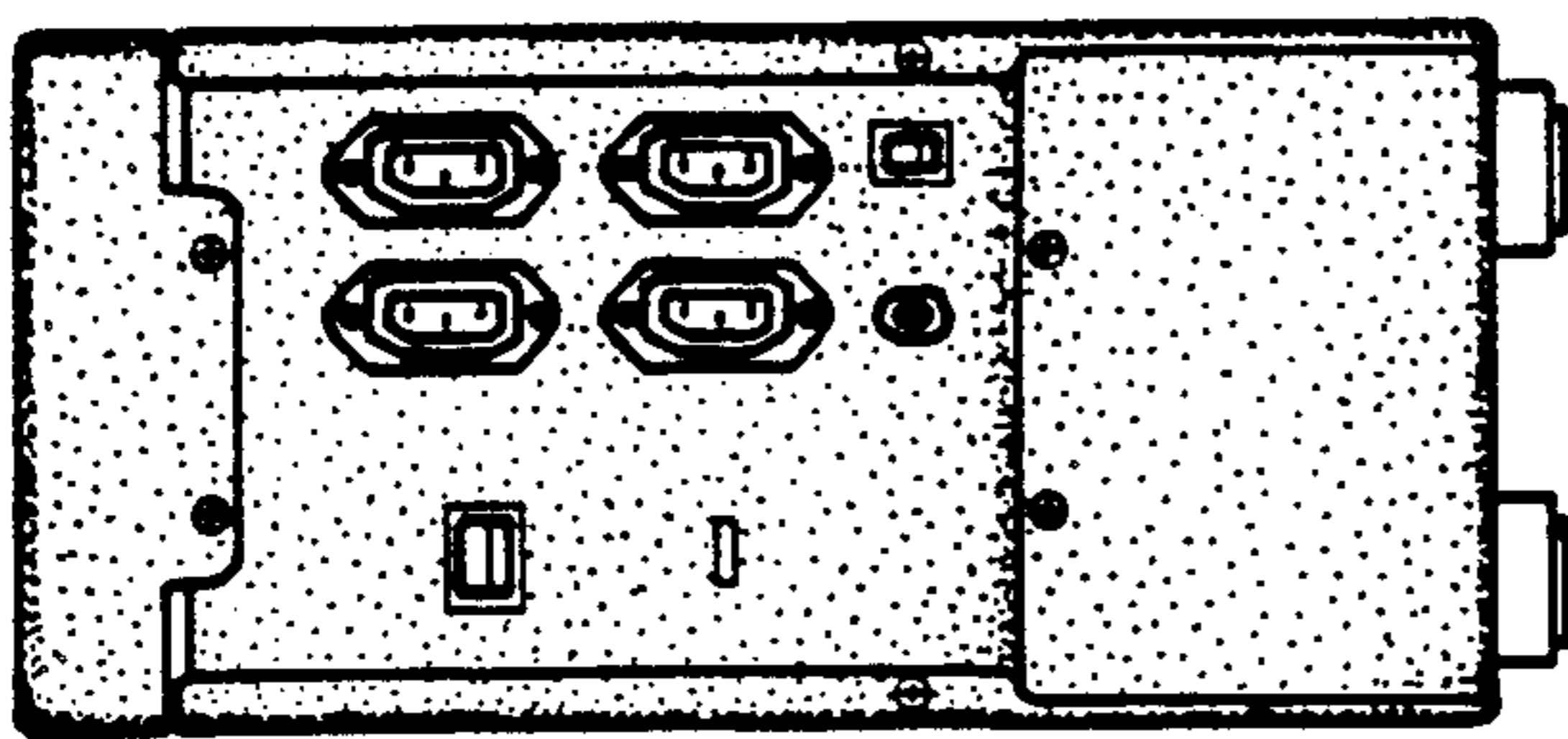


FIG. 5

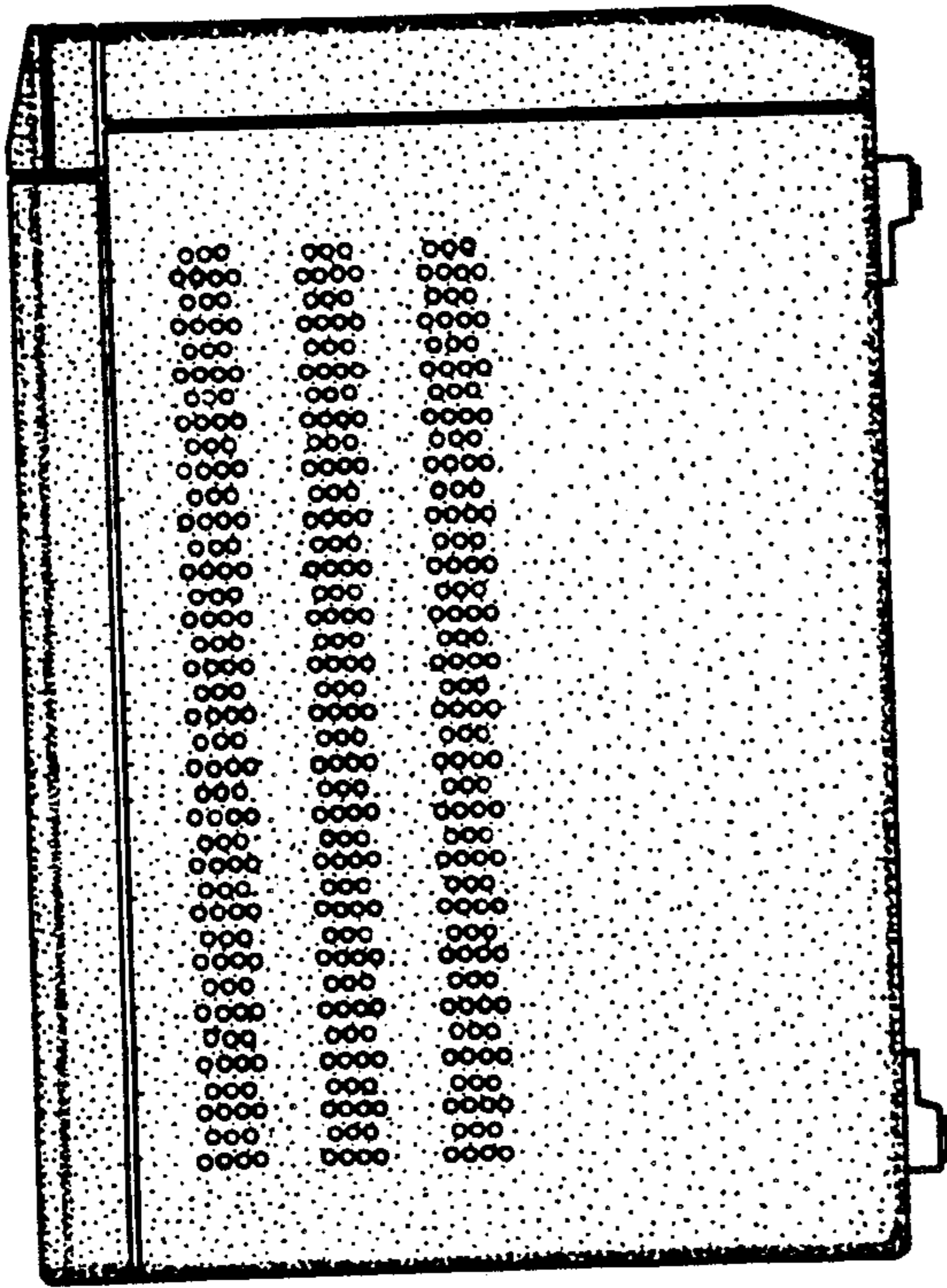


FIG. 6

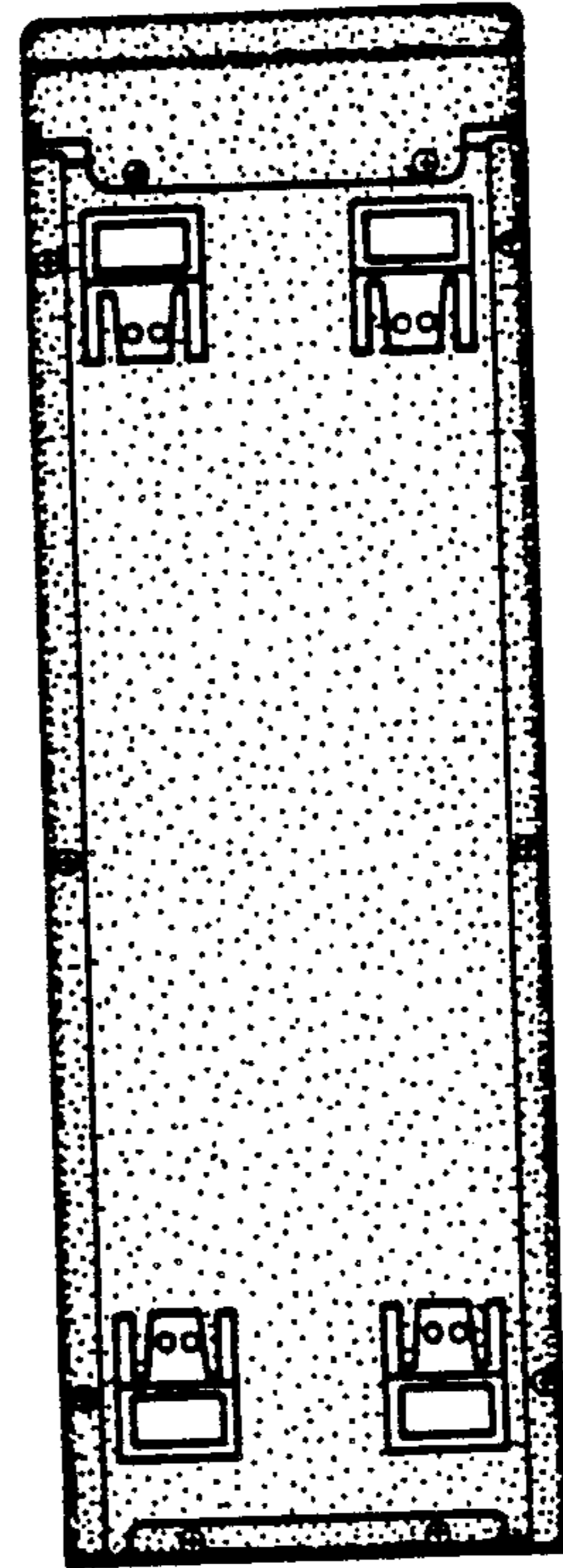


FIG. 7

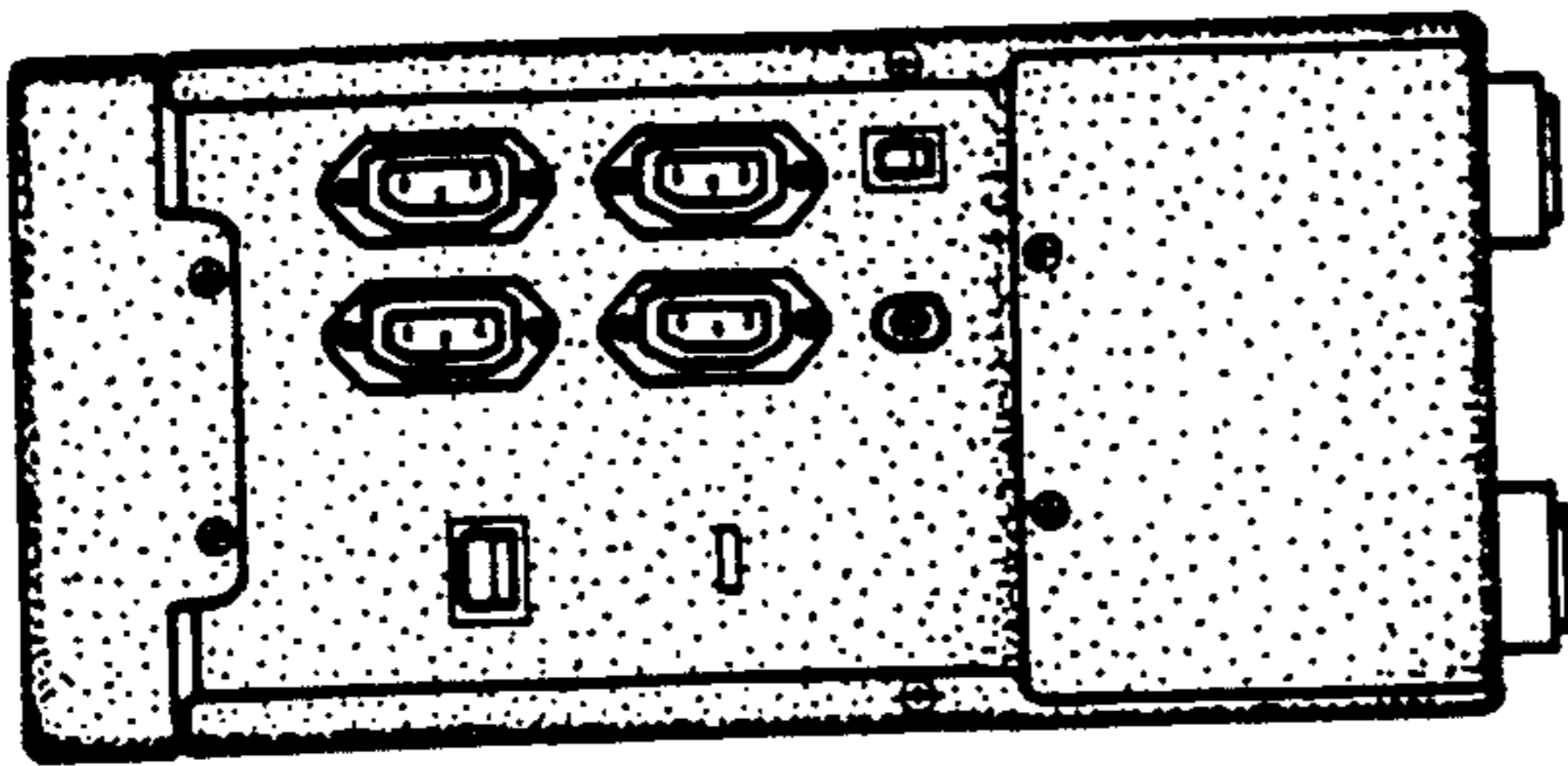


FIG. 5