

[54] BATTERY CHARGER OR SIMILAR ARTICLE

[75] Inventors: Leonid Soren, Lincolnwood; Gary R. Weiss, Wheeling, both of Ill.

[73] Assignee: Motorola, Inc., Schaumburg, Ill.

[**] Term: 14 Years

[21] Appl. No.: 263,484

[22] Filed: Oct. 27, 1988

[52] U.S. Cl. D13/108

[58] Field of Search D13/5; D14/253; D8/68; 320/2-5, 27; 310/50

[56] References Cited

U.S. PATENT DOCUMENTS

D. 223,099	3/1972	Sato	D13/5
D. 227,123	6/1973	Sato	D13/5
D. 276,809	12/1984	Taylor	D14/253
D. 281,064	10/1985	Scheid	D13/5
D. 285,070	8/1986	Beaumont	D14/253
D. 301,455	6/1989	Hotsumi et al.	D13/5

Primary Examiner—Wallace R. Burke
Assistant Examiner—Joel Sincavage
Attorney, Agent, or Firm—Raymond A. Janski; Rolland R. Hackbart

[57] CLAIM

The ornamental design for a battery charger or similar article, as shown and described.

DESCRIPTION

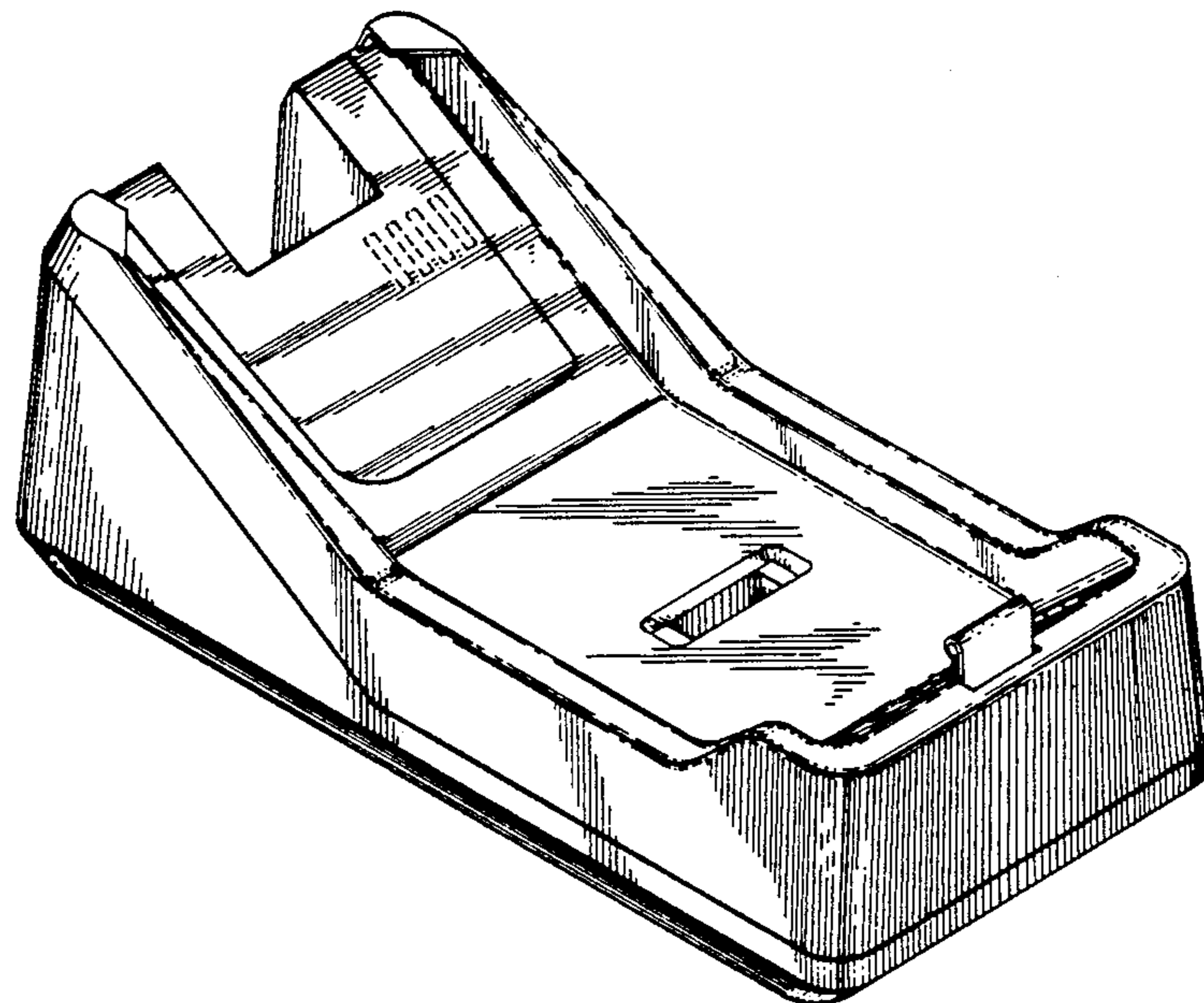
FIG. 1 is a top, front, and left side perspective view of a battery charger or similar article showing our new design in full lines, with the broken line matter being for illustrative purposes only and forming no part of the claimed design;

FIG. 2 is a right side elevation view thereof;

FIG. 3 is a rear elevation view thereof;

FIG. 4 is a bottom plan view thereof; and

FIG. 5 is a bottom plan view of a battery charger or similar article showing a second embodiment of our new design, all elevational views together with the top plan and perspective views being the same as the first embodiment.



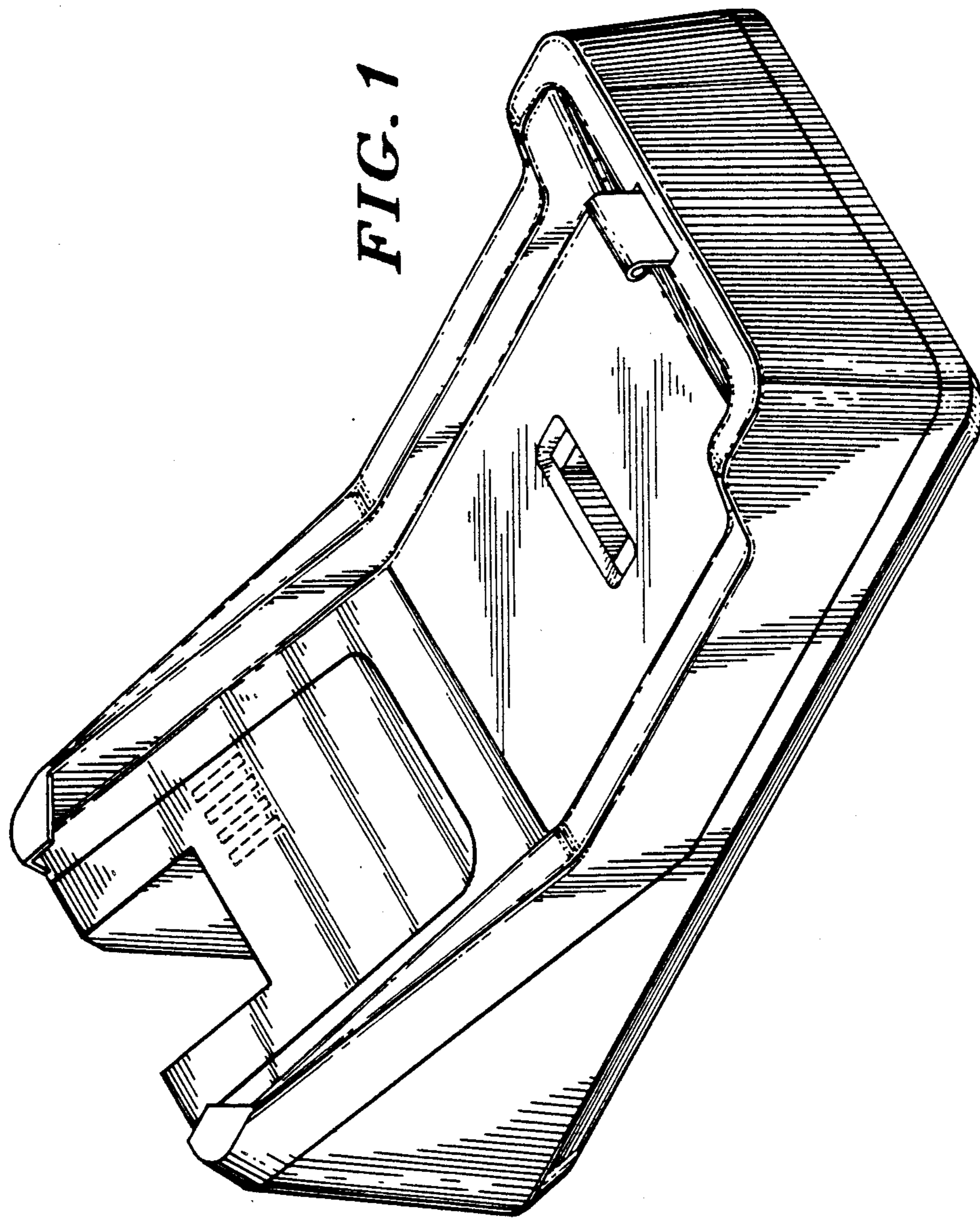


FIG. 1

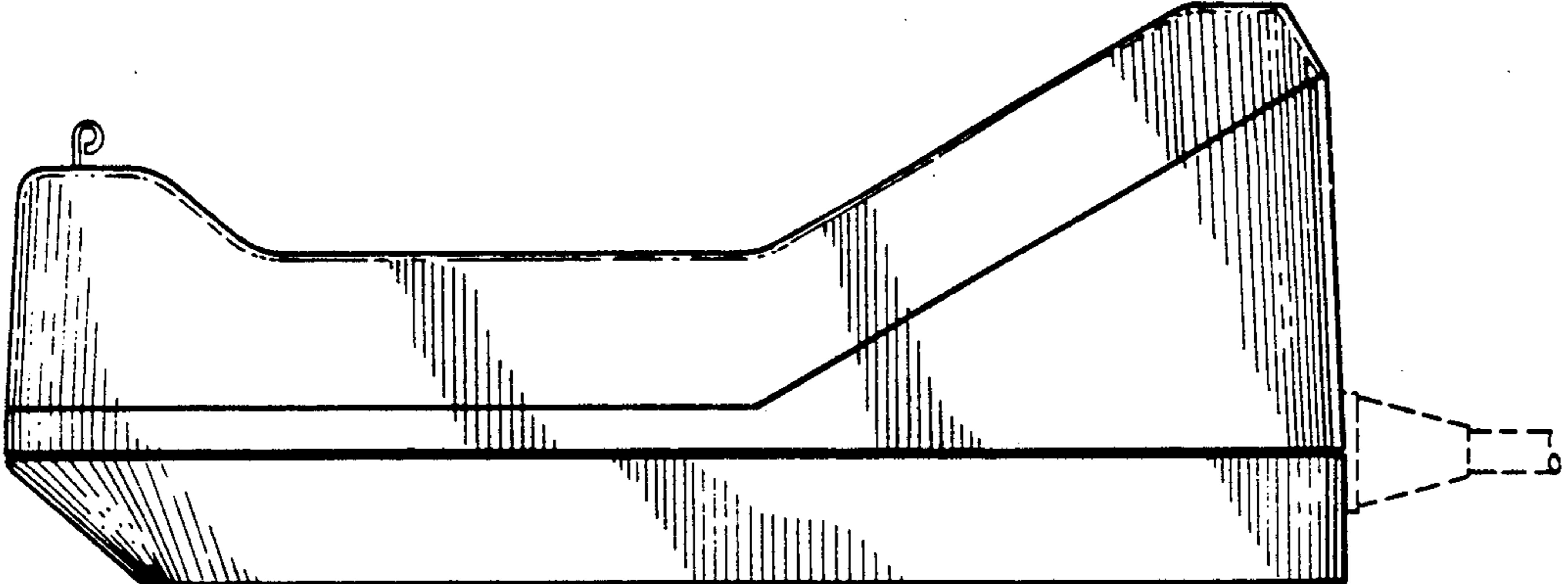


FIG. 2

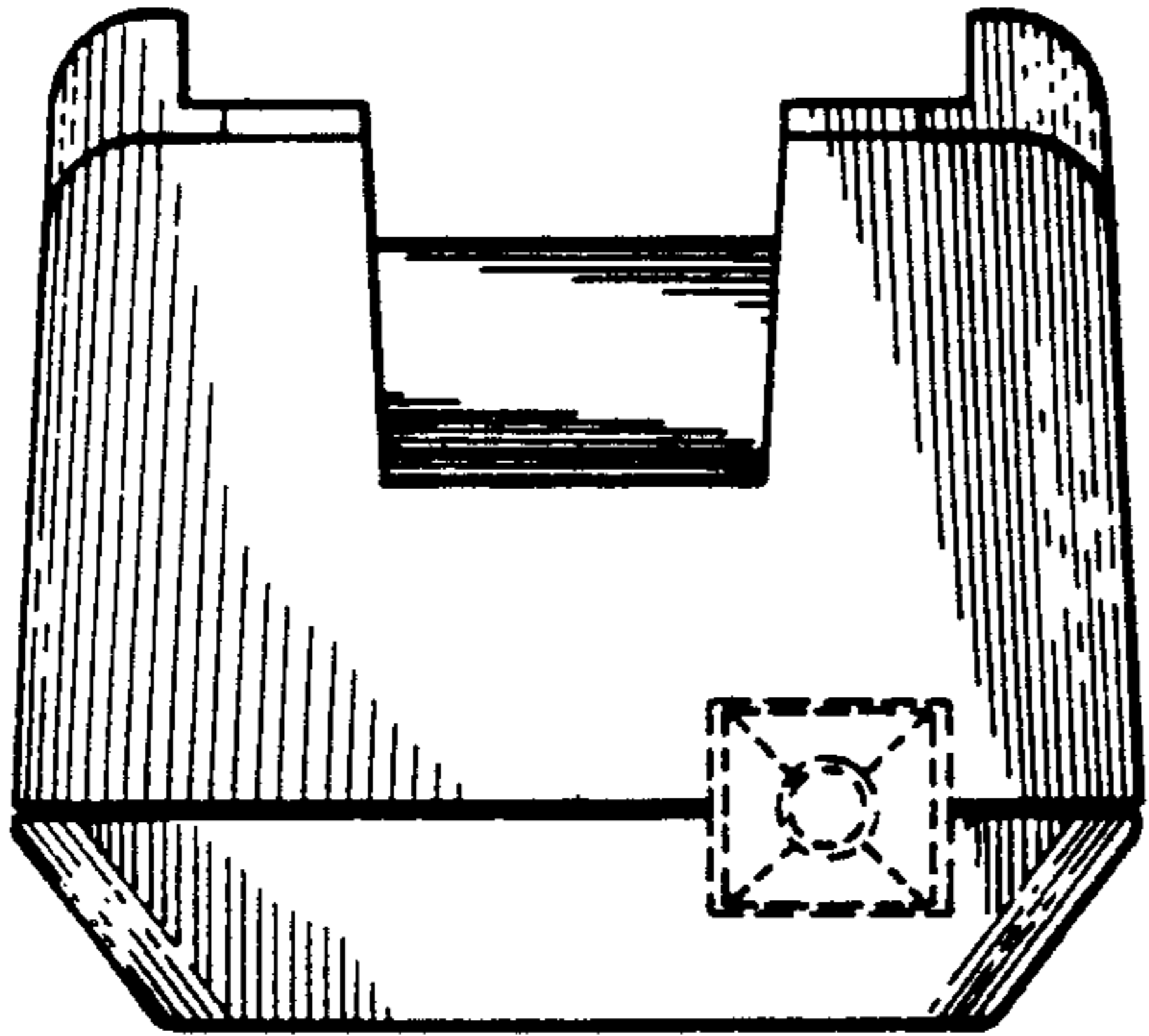


FIG. 3

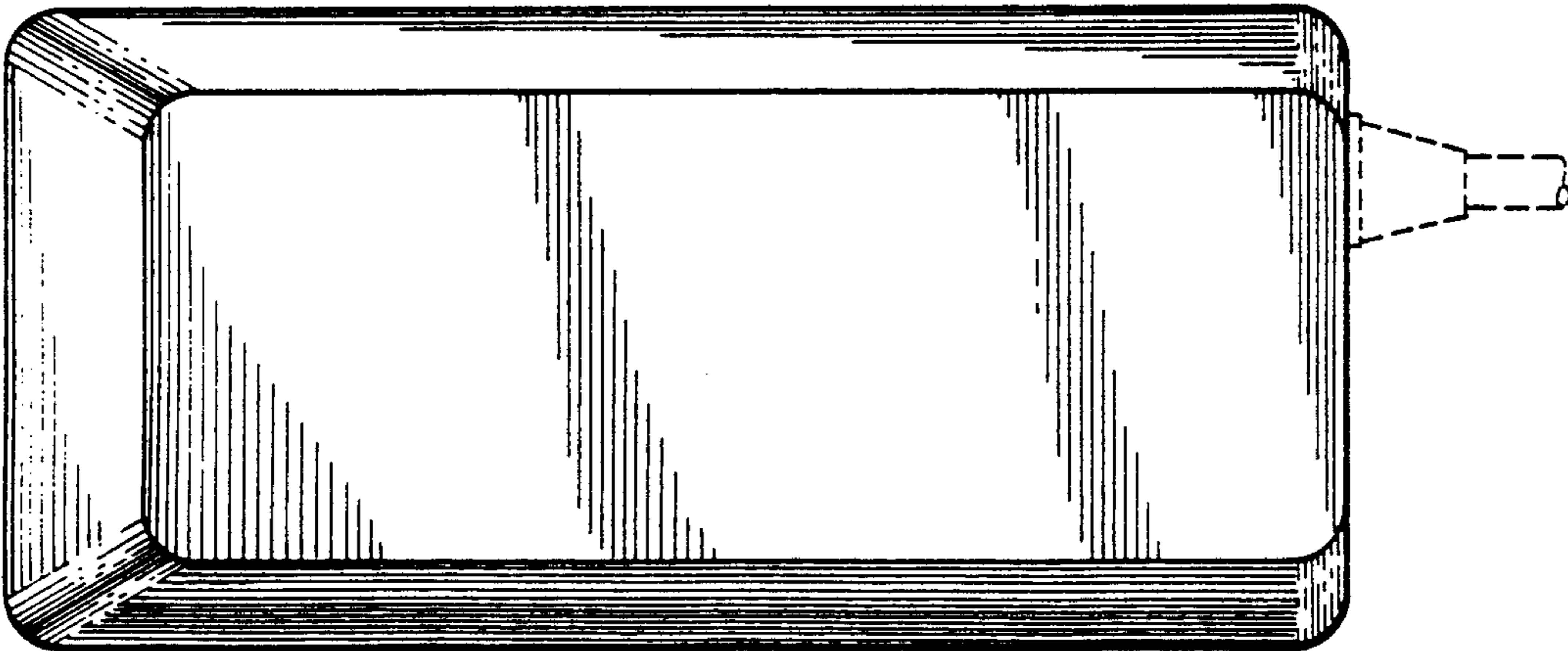


FIG. 4

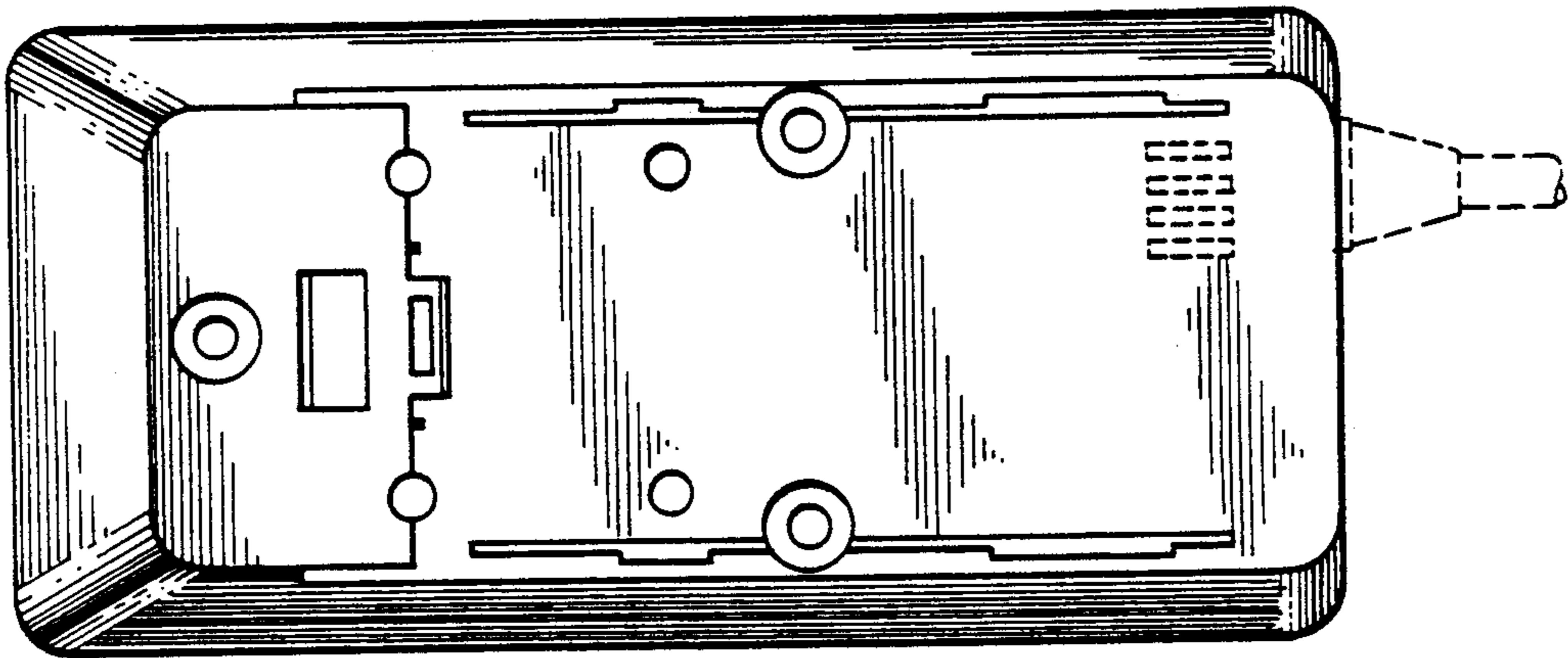


FIG. 5

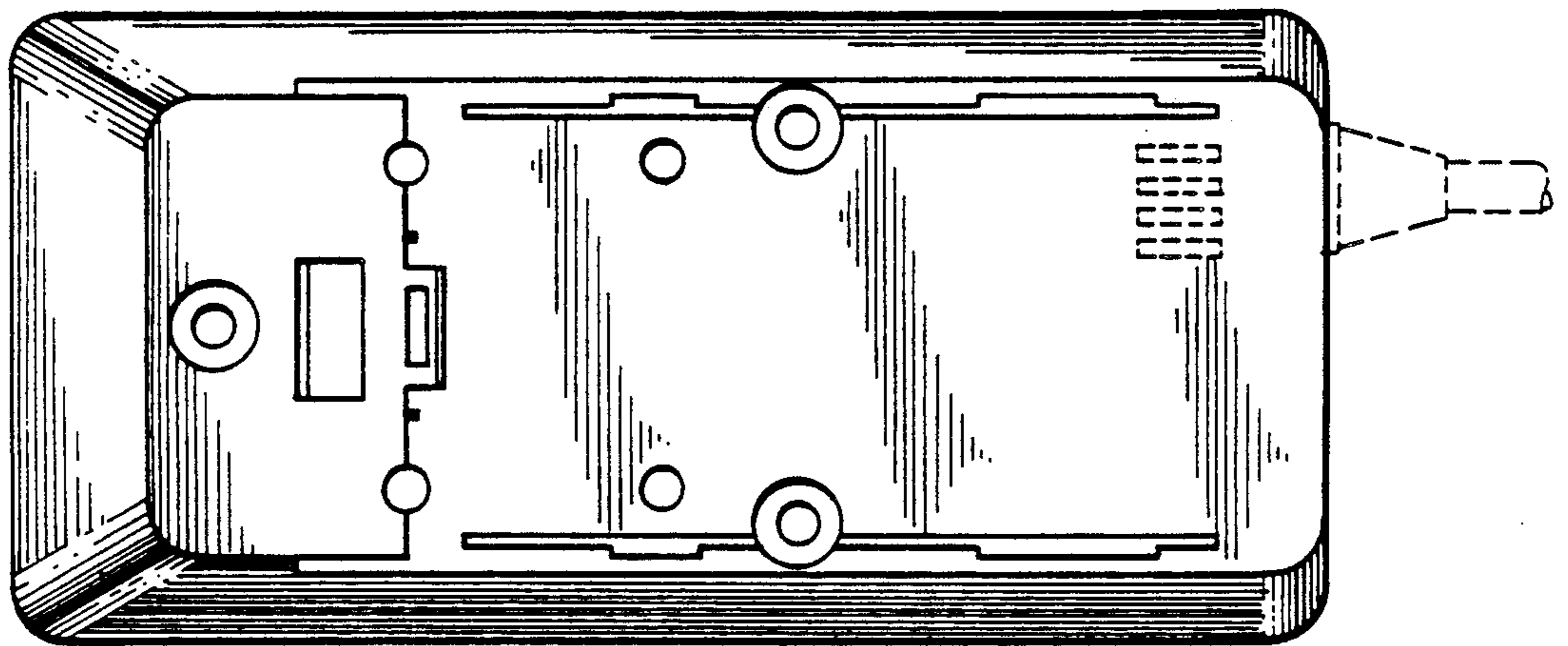


FIG. 5