

[54] **INTERIOR CARGO COVER FOR MOTOR VEHICLES**

[75] **Inventor: Thomas F. Hamilton, 1634 Ixias Ct., San Jose, Calif. 95124**

[73] **Assignee: Thomas F. Hamilton, San Jose, Calif.**

[**] **Term: 14 Years**

[21] **Appl. No.: 125,070**

[22] **Filed: Nov. 25, 1987**

[52] **U.S. Cl. D12/155**

[58] **Field of Search D12/155; 296/39.1, 39.3, 296/100**

[56] **References Cited**

U.S. PATENT DOCUMENTS

D. 298,817 12/1988 Hamilton D12/155
4,750,774 6/1988 Pickering 224/42.42

OTHER PUBLICATIONS

J. C. Whitney & Co. Catalog, No. 57H, Copyright 1985, p. 47, Automotive Parts & Accessories, Cargo Mat.
J. C. Whitney & Co. Catalog, 476, Automotive Parts & Accessories, Copyright 1986, p. 45, Custom-Fit Bedliners.

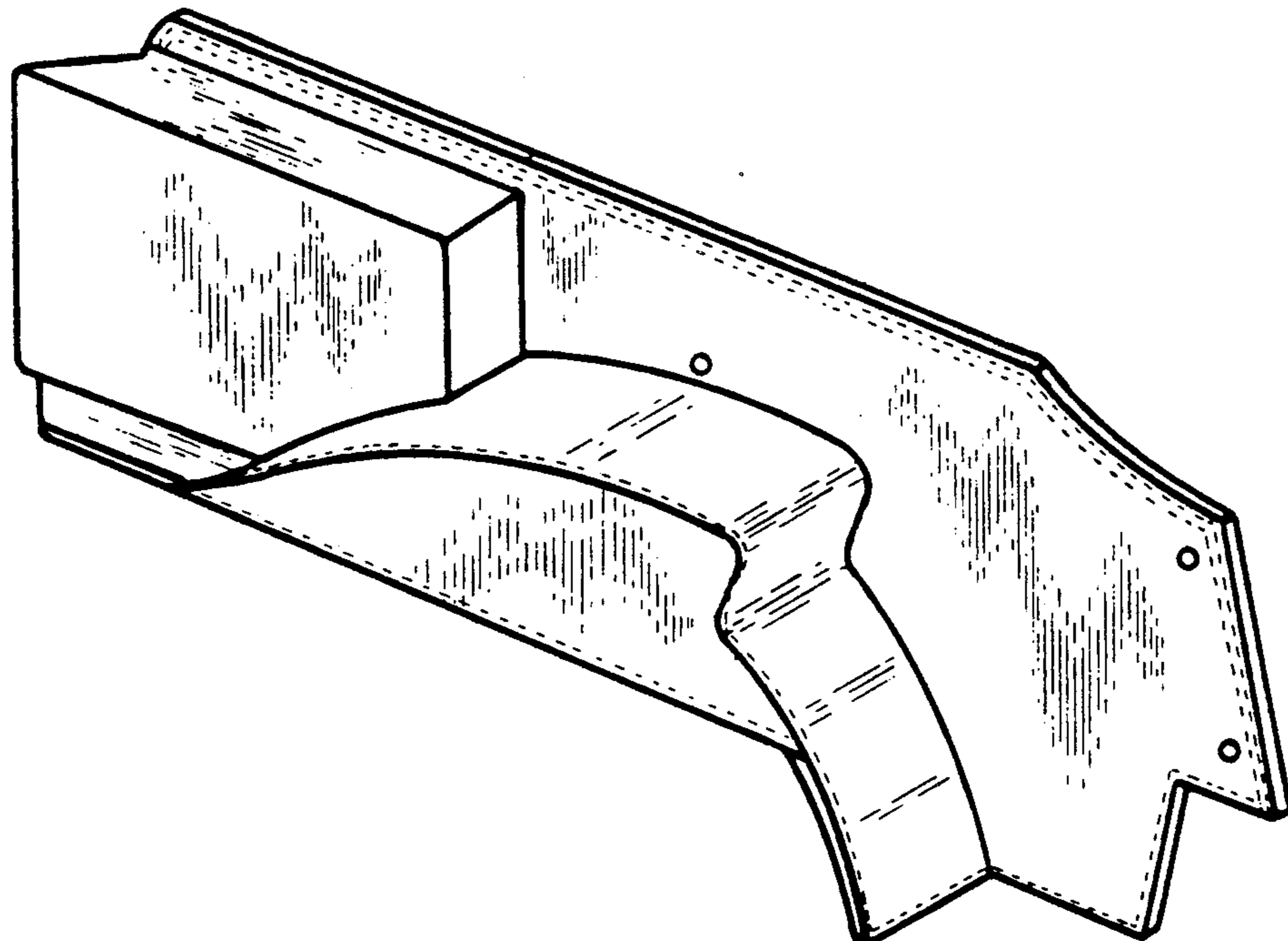
Primary Examiner—James M. Gandy
Assistant Examiner—Melody Brown

[57] **CLAIM**

The ornamental design for an interior cargo cover for motor vehicles, as shown and described.

DESCRIPTION

FIG. 1 is a perspective view of an interior cargo cover for motor vehicles showing my new design; FIG. 2 is a front elevational view thereof; FIG. 3 is a rear elevational view thereof; FIG. 4 is a left side elevational view thereof; FIG. 5 is a right side elevational view thereof; FIG. 6 is a top plan view thereof; FIG. 7 is a bottom plan view thereof; FIG. 8 is a perspective view of an interior cargo cover for motor vehicles showing a second embodiment of my new design; FIG. 9 is a front elevational view of FIG. 8; FIG. 10 is a rear elevational view of FIG. 8; FIG. 11 is a left side elevational view of FIG. 8; FIG. 12 is a right side elevational view of FIG. 8; FIG. 13 is a top plan view of FIG. 8; and FIG. 14 is a bottom plan view of FIG. 8. The broken lines in the drawing are representative of stitching.



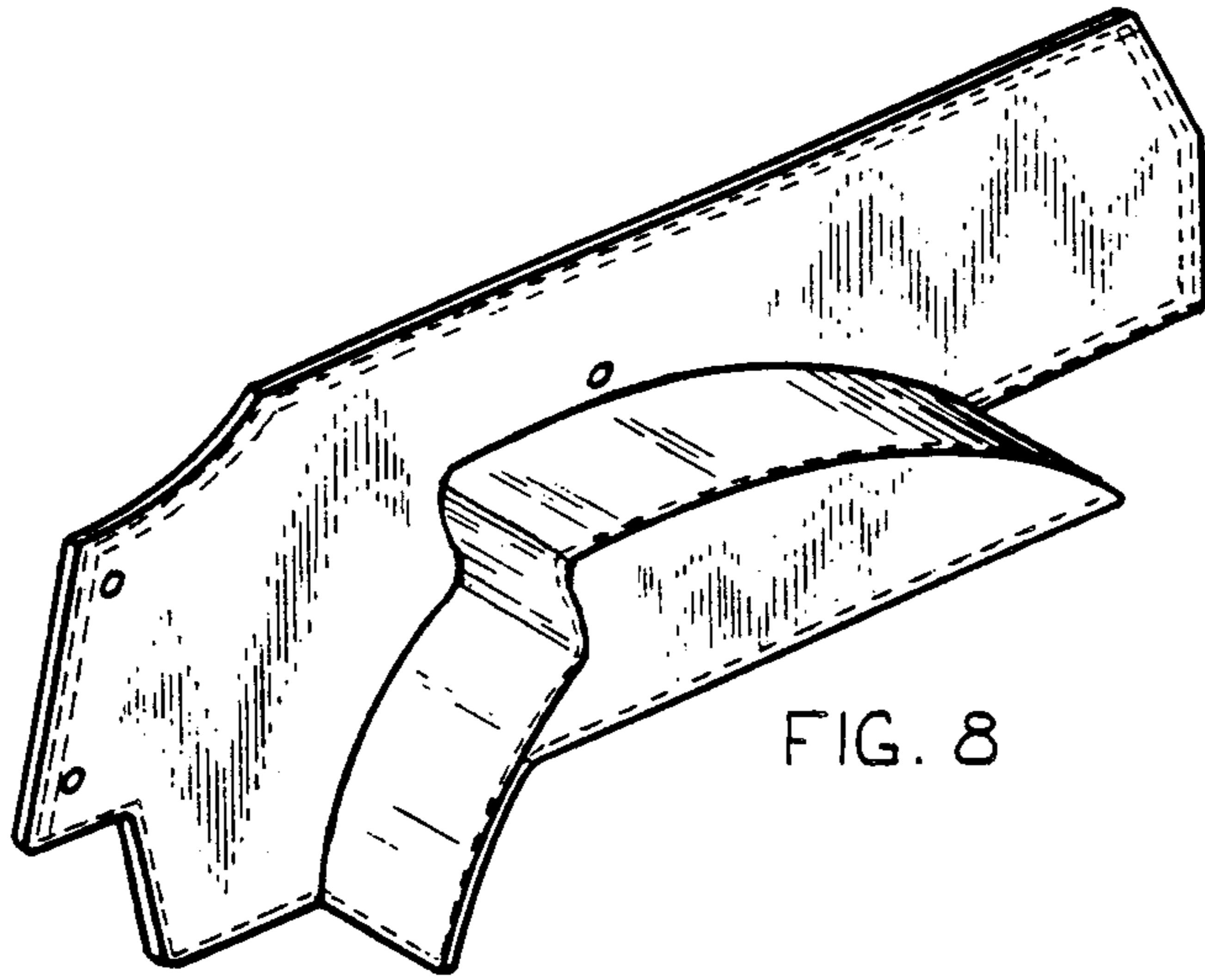


FIG. 8

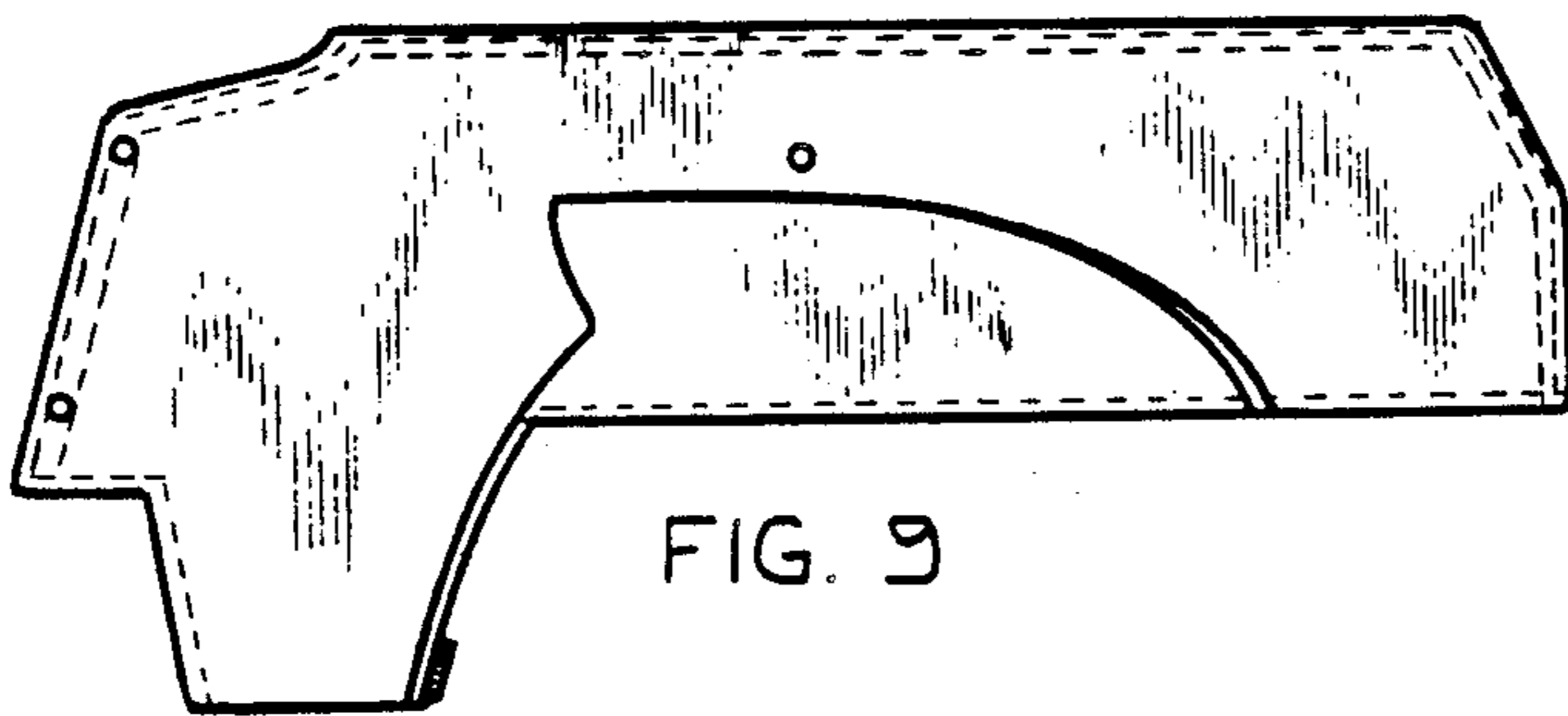


FIG. 9



FIG. 11

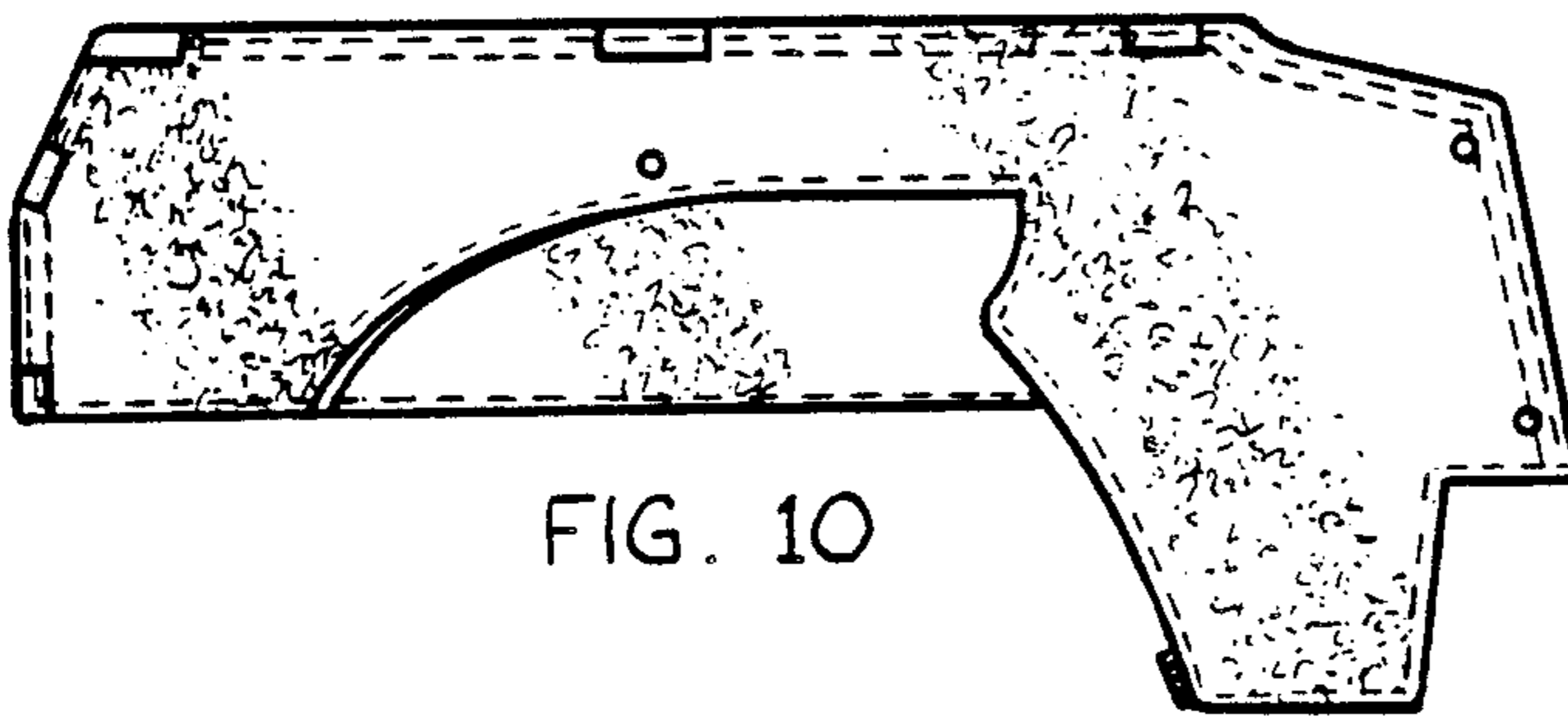


FIG. 10



FIG. 12

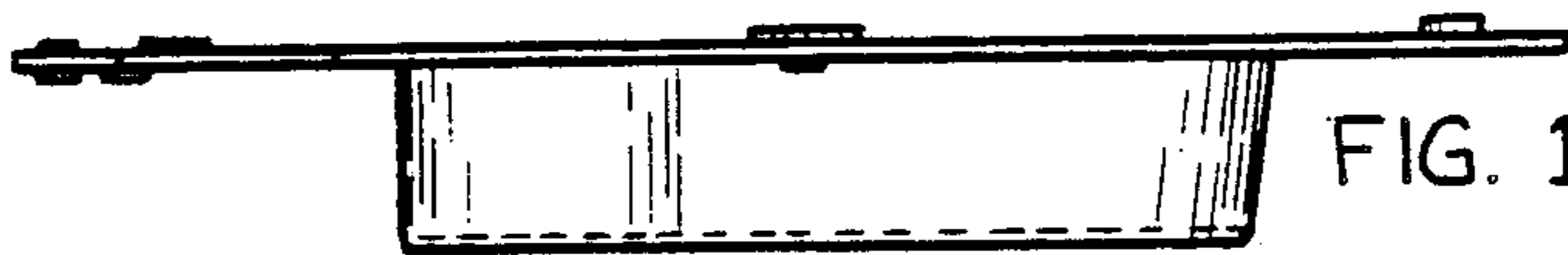


FIG. 13

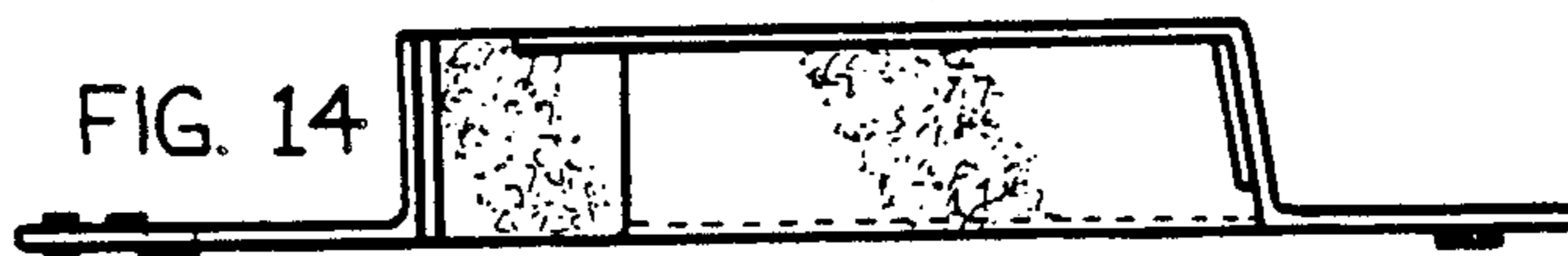


FIG. 14

