

[54] EXPANDABLE DETENTION DORMITORY TRAILER OR THE LIKE

[76] Inventors: Gerald L. Barber, 10 Whittington Ct.; Wayne P. Comstock, 23 Selwyn Dr., both of Greenville, S.C. 29615

[\*\*] Term: 14 Years

[21] Appl. No.: 249,082

[22] Filed: Sep. 26, 1988

[52] U.S. Cl. .... D12/97; D12/104

[58] Field of Search ..... D12/99, 100, 97, 104; 296/26, 27, 171, 181

[56] References Cited

U.S. PATENT DOCUMENTS

D. 288,610	3/1987	Barber et al. ....	D25/16
D. 295,734	5/1988	Barber et al. ....	D12/97
2,886,856	5/1959	Suk Kun Che .....	296/171
4,603,518	8/1986	Fennes .....	296/27
4,652,041	3/1987	Barber et al. ....	296/171

Primary Examiner—James M. Gandy  
Attorney, Agent, or Firm—Dority & Manning

[57] CLAIM

The ornamental design for an expandable detention dormitory trailer or the like, as shown and described.

DESCRIPTION

FIG. 1 is a perspective view of an expandable detention dormitory trailer or the like showing a side and one end of our new design in expanded condition;

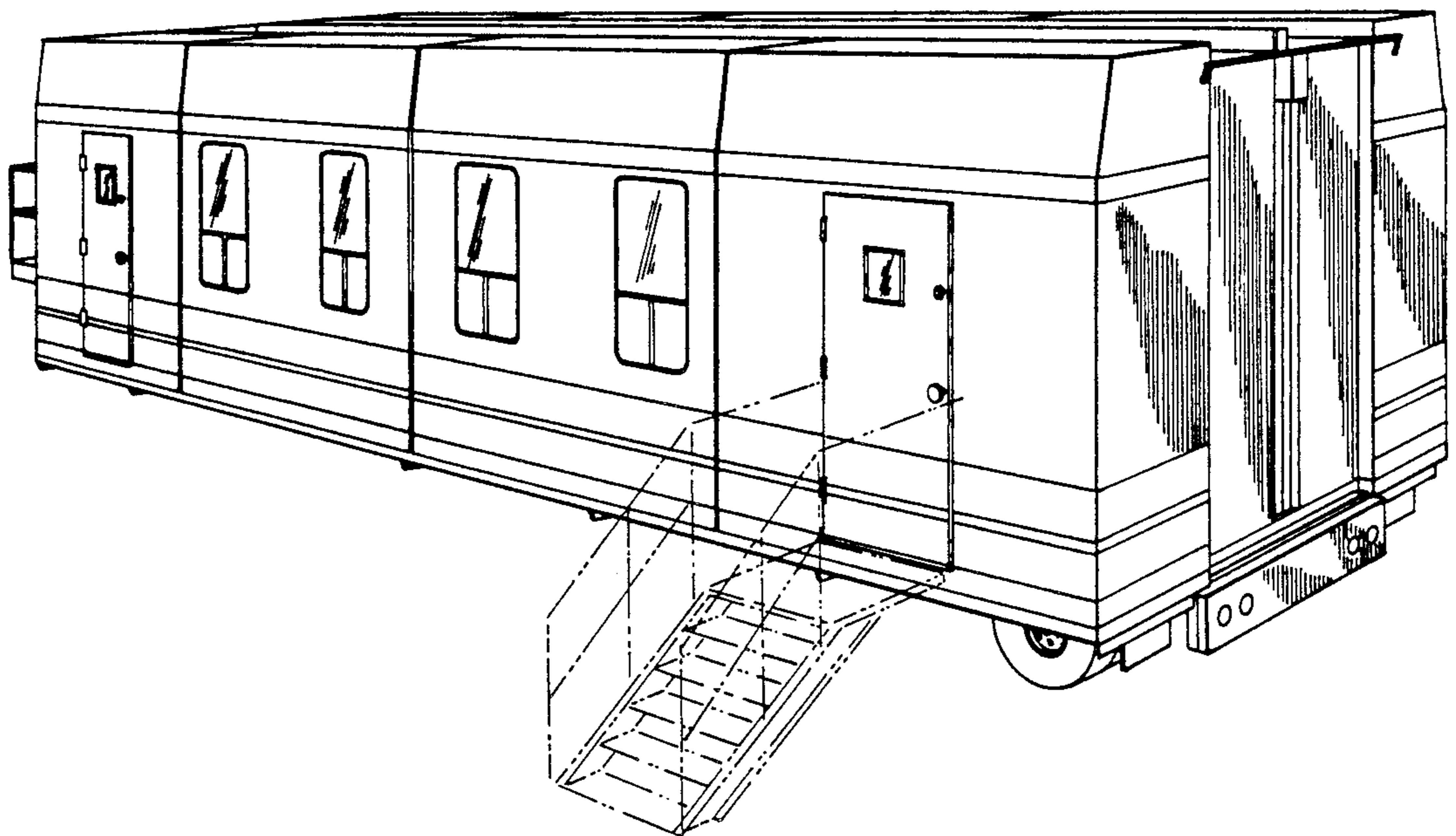
FIG. 2 is a perspective view of the opposite side and end thereof in expanded condition;

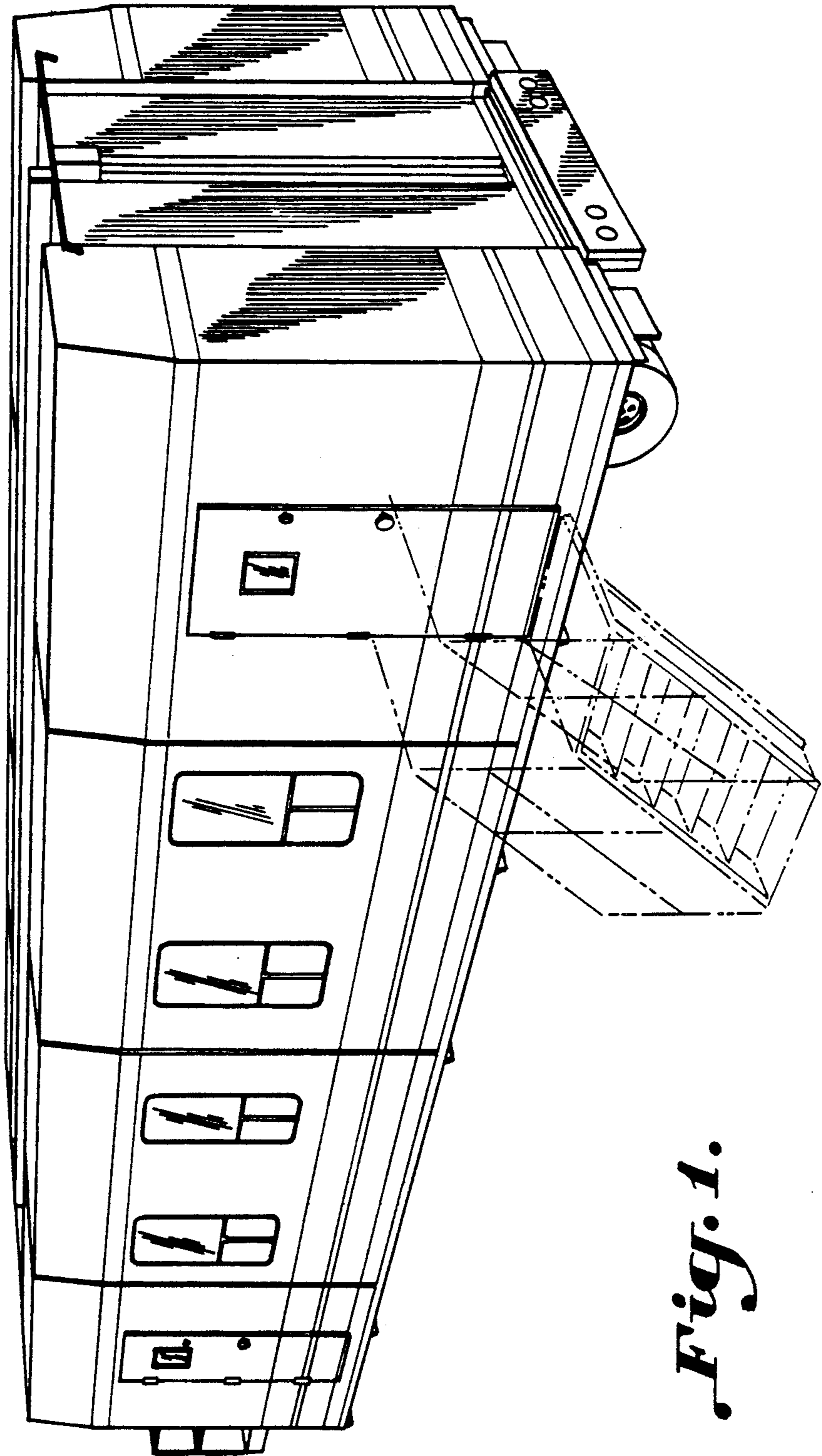
FIG. 3 is a perspective view thereof of the end shown in FIG. 2 and side shown in FIG. 1 in expanded condition; and

FIG. 4 is a perspective view of the side and end thereof shown in FIG. 1 in collapsed condition.

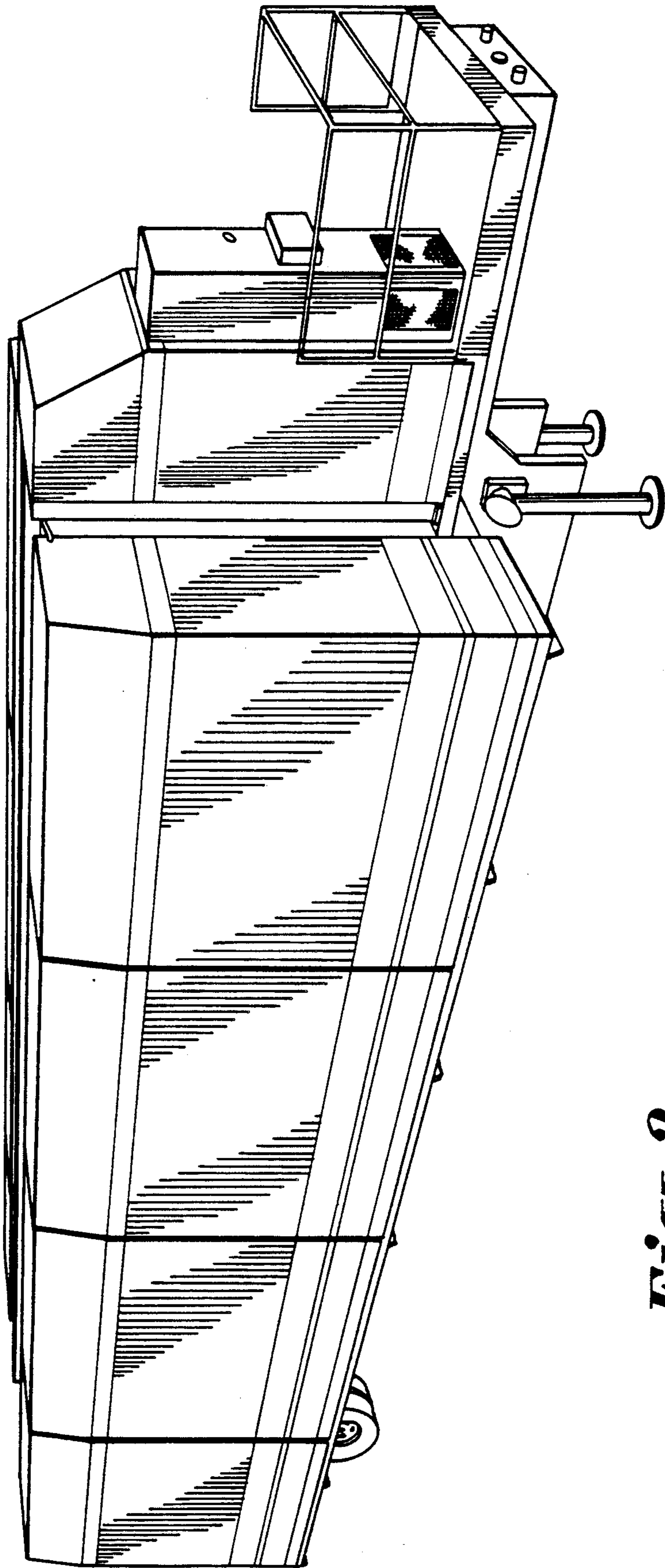
The top of the trailer is understood to be plain and unornamented.

The broken line showing of the stair units in the drawing is for illustrative purposes only and forms no part of the claimed design.

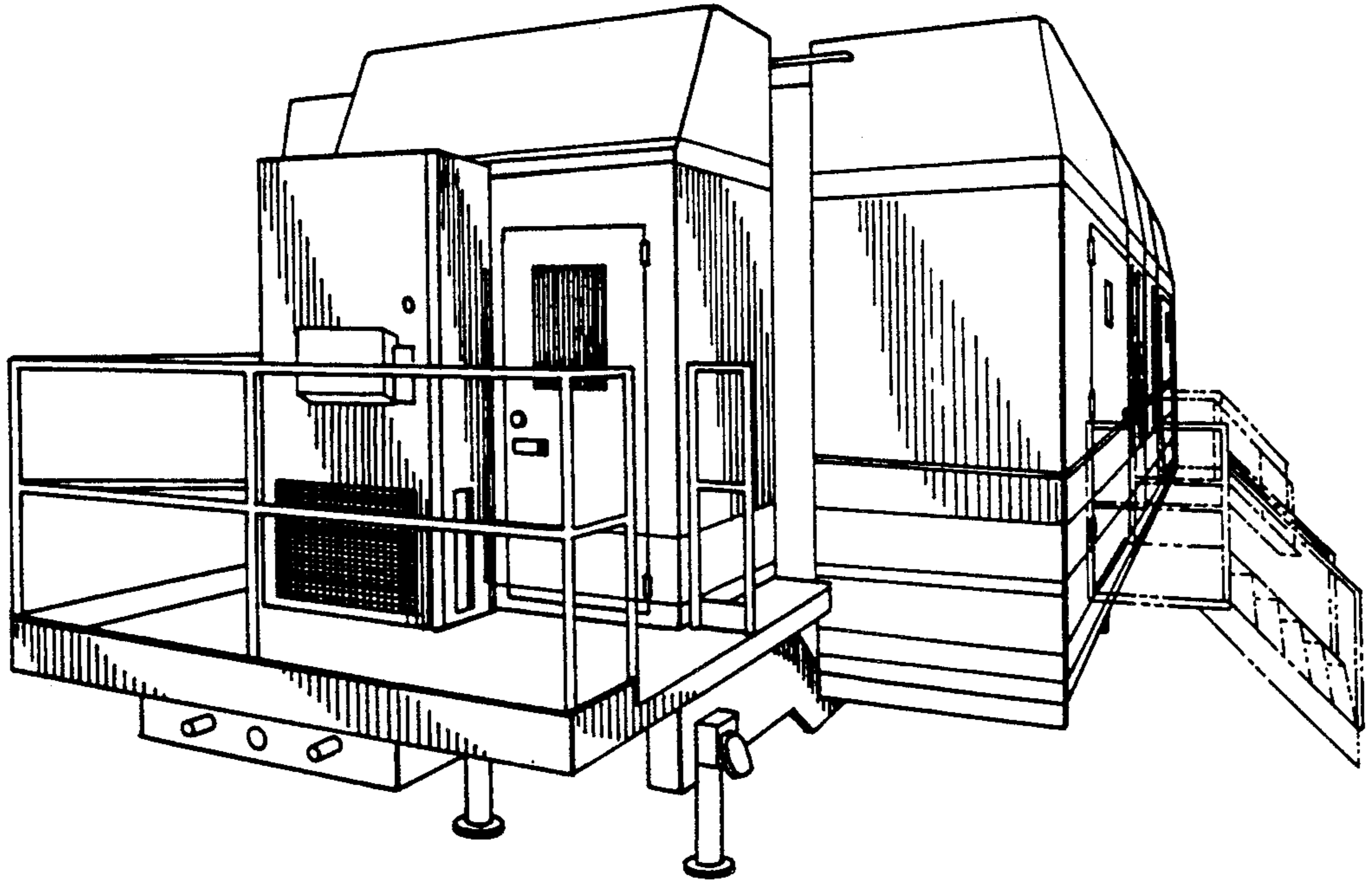




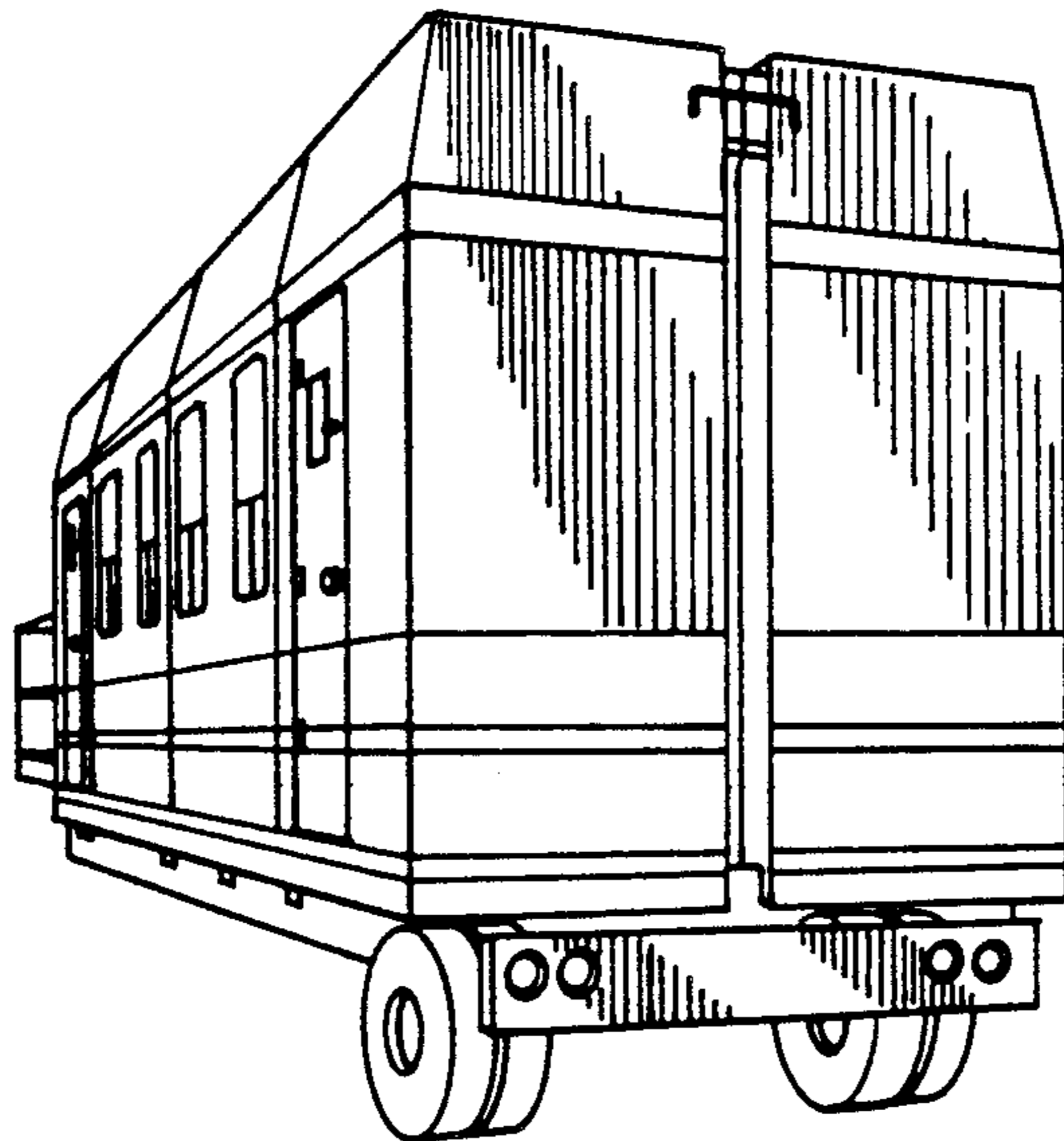
*Fig. 1.*



*Fig. 2.*



*Fig. 3.*



*Fig. 4.*