

[54] **COMBINED TROPHY BALL AND PICTURE DISPLAY STAND**

[76] **Inventor: David J. Long, 12216 Beaufait Ave., Northridge, Calif. 91326**

[**] **Term: 14 Years**

[21] **Appl. No.: 39,937**

[22] **Filed: Apr. 20, 1987**

Related U.S. Application Data

[63] Continuation-in-part of Ser. No. 805,453, Nov. 18, 1985, abandoned.

[52] **U.S. Cl. D11/131**

[58] **Field of Search D11/131, 140, 164, 157, D11/184; D99/35; D6/300, 303, 308, 310, 314, 472; D9/322; 40/152; 428/542.2, 542.4**

[56] **References Cited**

U.S. PATENT DOCUMENTS

D. 32,212	2/1900	Michaelis	D9/322
D. 57,042	1/1921	Hensey	D99/35
D. 148,359	1/1948	Joelson	D6/300
D. 157,405	2/1950	Ott	D6/303
D. 158,699	5/1950	Wasilevich	D11/131
D. 161,838	2/1951	Hoffmann	D99/35
D. 213,150	1/1969	McBain	D6/472
D. 219,850	2/1971	Loewy	D6/472
D. 247,276	2/1978	Smith	D6/310
D. 248,383	7/1978	Dawson	D11/140
3,977,112	8/1976	Breer, II	40/152

OTHER PUBLICATIONS

Cloverly Sporting Goods Catalog; 1978; p. 52, Home Plate (#06305).

Onyx Trophy Co. Catalog; 1953, p. 13, Trophy (lower right).

International Silver Co. Trophies Catalog; 1969, p. 11; Trophy (#1611).

Sport Center Catalog; 1958; p. 9; Trophy (upper right).

Primary Examiner—B. J. Bullock
Assistant Examiner—Dominic Simone
Attorney, Agent, or Firm—Kelly, Bauersfeld & Lowry

[57] **CLAIM**

The ornamental design for a combined trophy ball and picture display stand, as shown and described.

DESCRIPTION

FIG. 1 is a perspective view of a combined trophy ball and picture display stand showing my new design; FIG. 2 is a front elevational view thereof; FIG. 3 is a right side elevational view thereof; FIG. 4 is a rear elevational view thereof; FIG. 5 is a bottom plan view thereof; FIG. 6 is a top plan view thereof; FIG. 7 is a perspective view of a second embodiment of FIG. 1; FIG. 8 is a front elevational view of the embodiment of FIG. 7; FIG. 9 is a right side elevational view of the embodiment of FIG. 7; FIG. 10 is a rear elevational view of the embodiment of FIG. 7; FIG. 11 is a bottom plan view of the embodiment of FIG. 7; FIG. 12 is a top plan view of the embodiment of FIG. 7; FIG. 13 is a perspective view of a third embodiment of FIG. 1; FIG. 14 is a front elevational view of the embodiment of FIG. 13; FIG. 15 is a right side elevational view of the embodiment of FIG. 13; FIG. 16 is a rear elevational view of the embodiment of FIG. 13; FIG. 17 is a bottom plan view of the embodiment of FIG. 13; and FIG. 18 is a top plan view of the embodiment of FIG. 13.

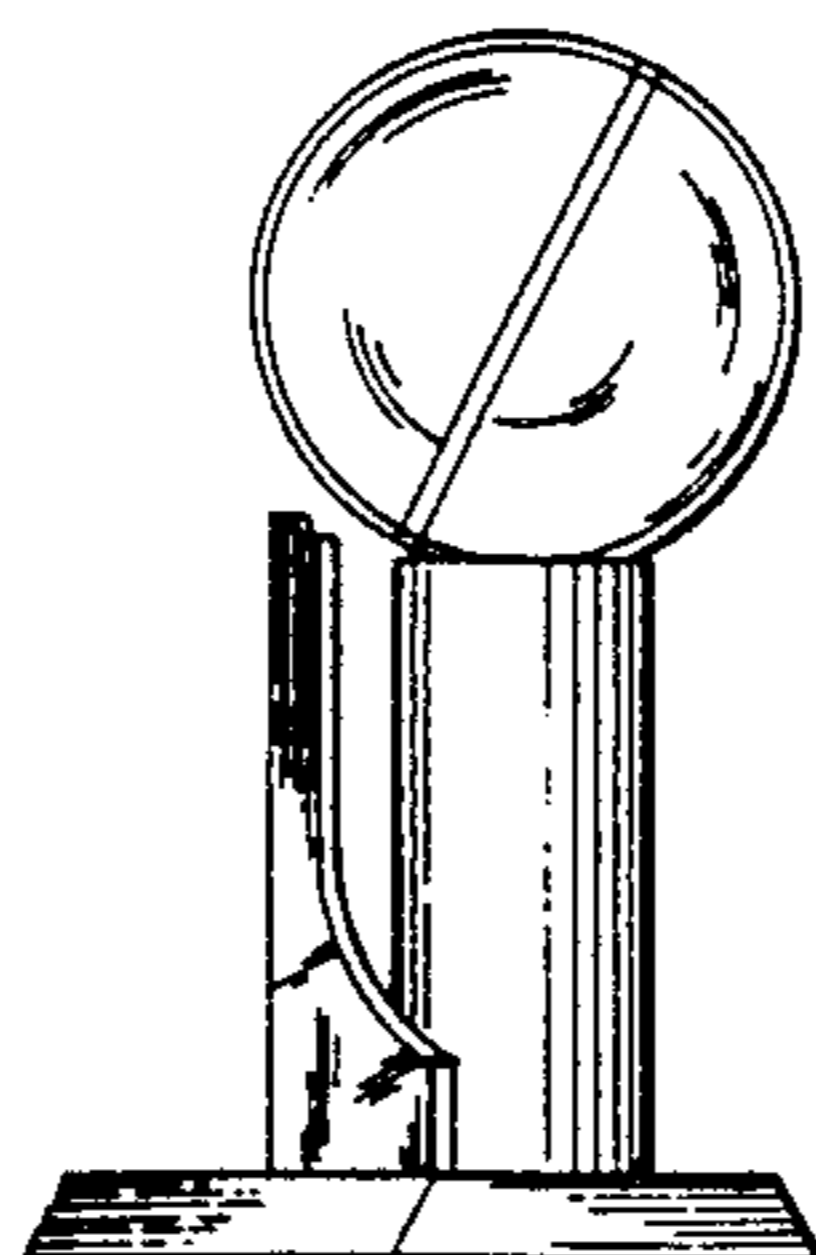
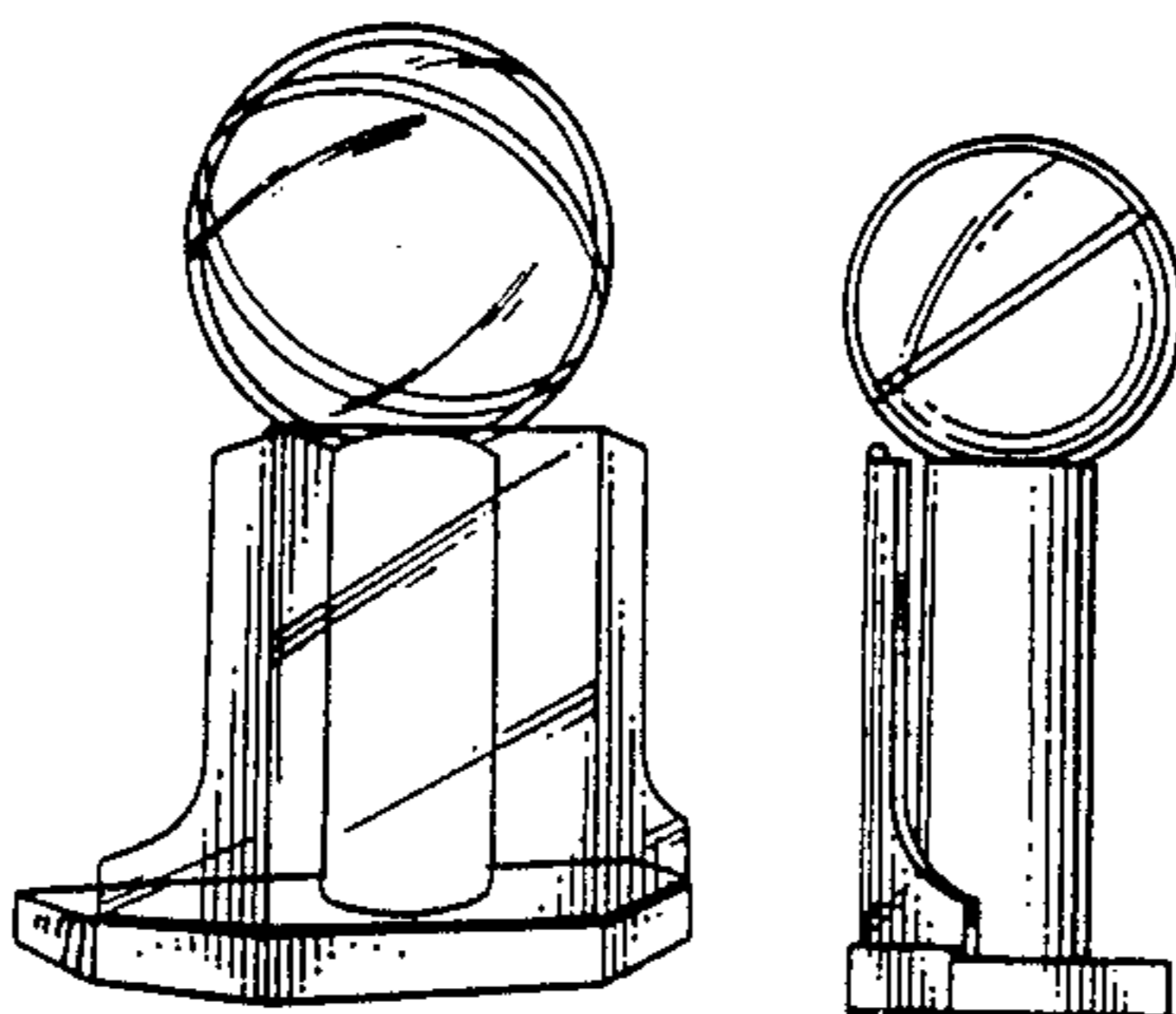


FIG. 1

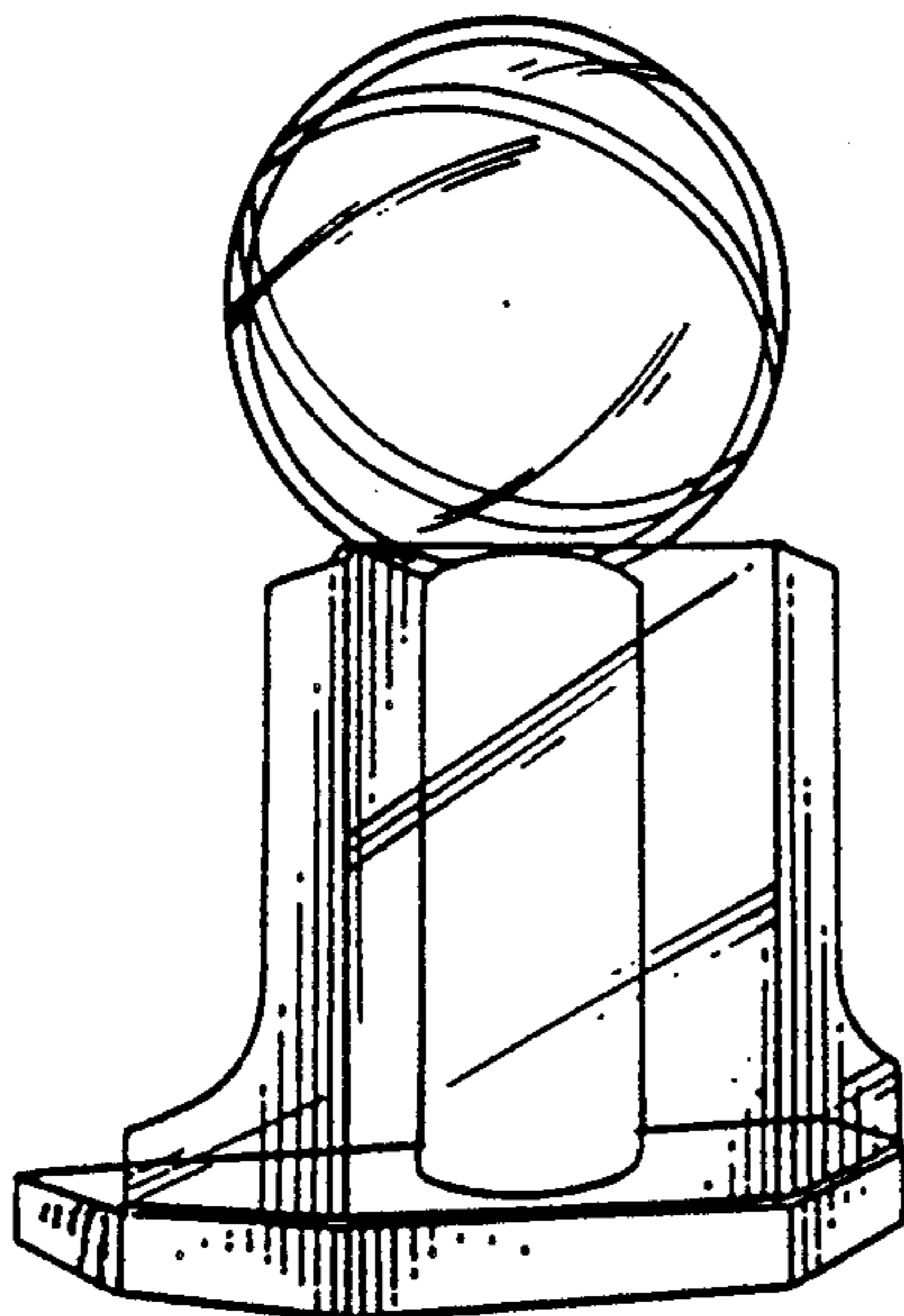


FIG. 2

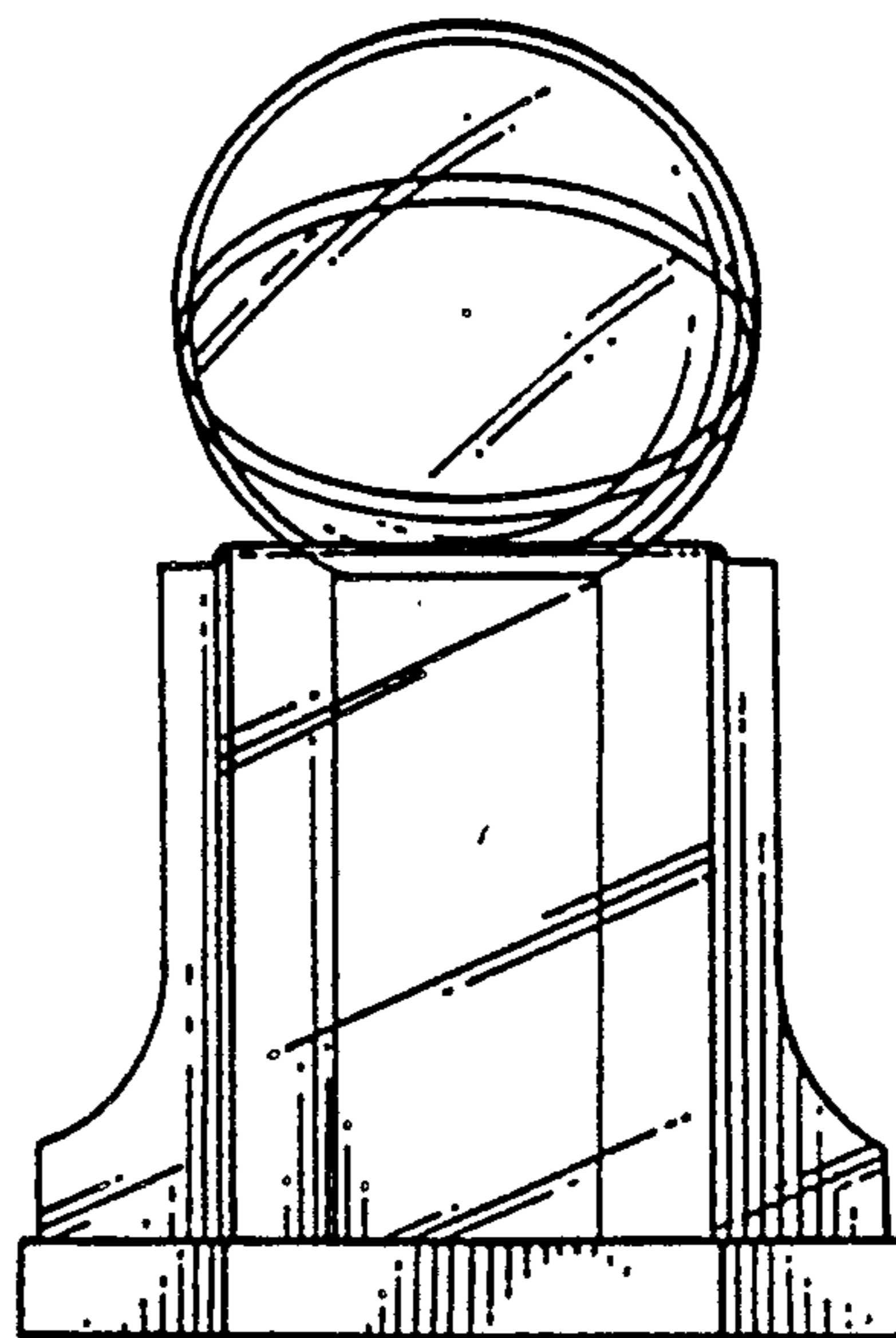


FIG. 3

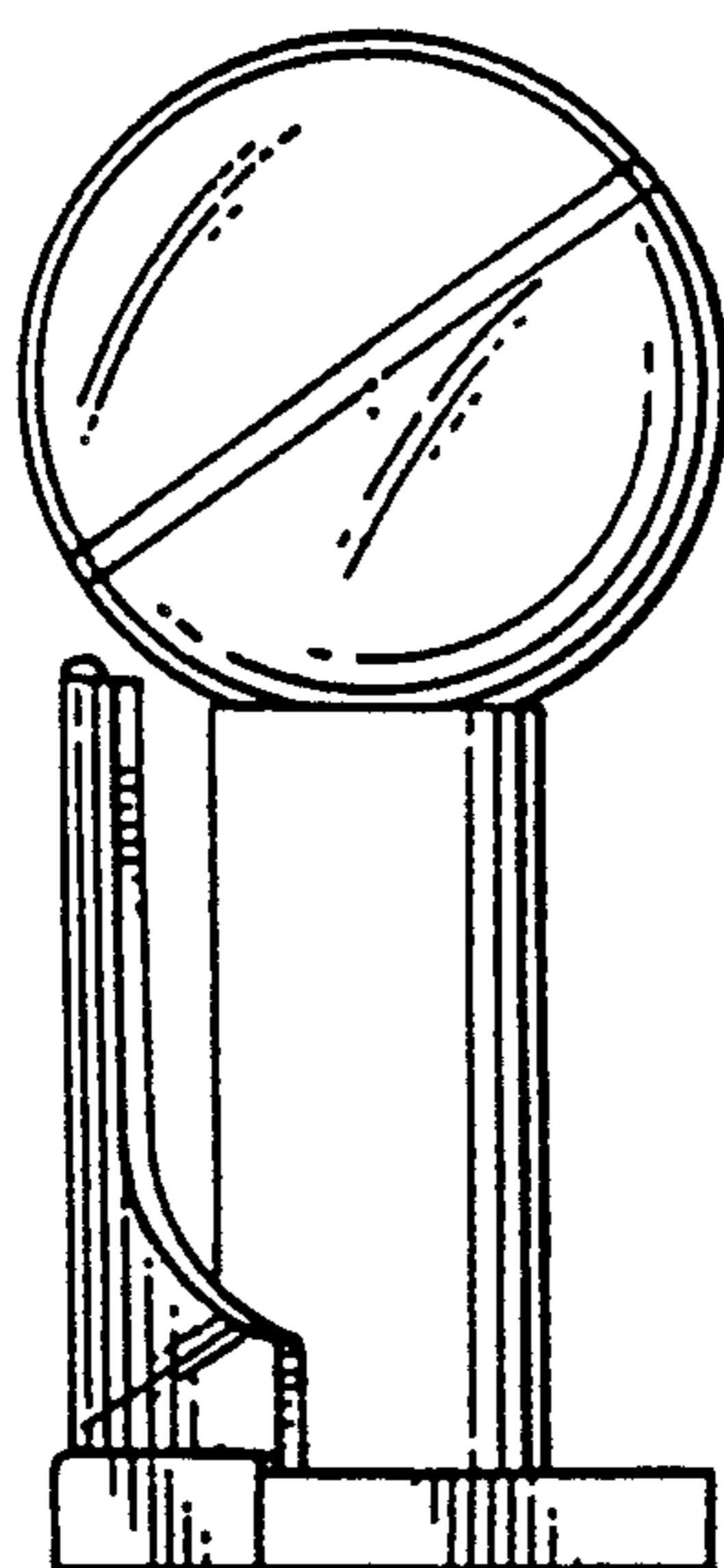


FIG. 4

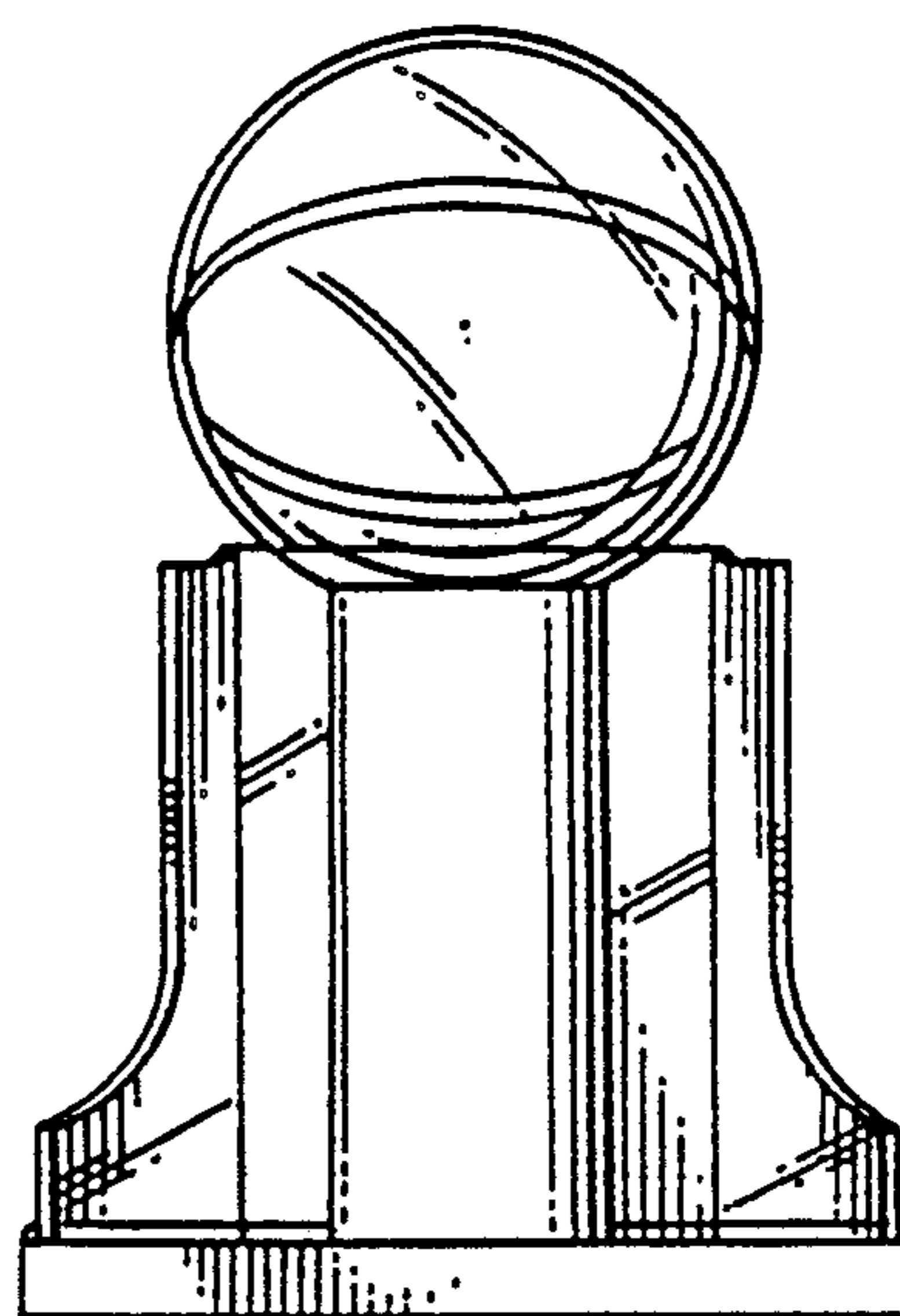


FIG. 5

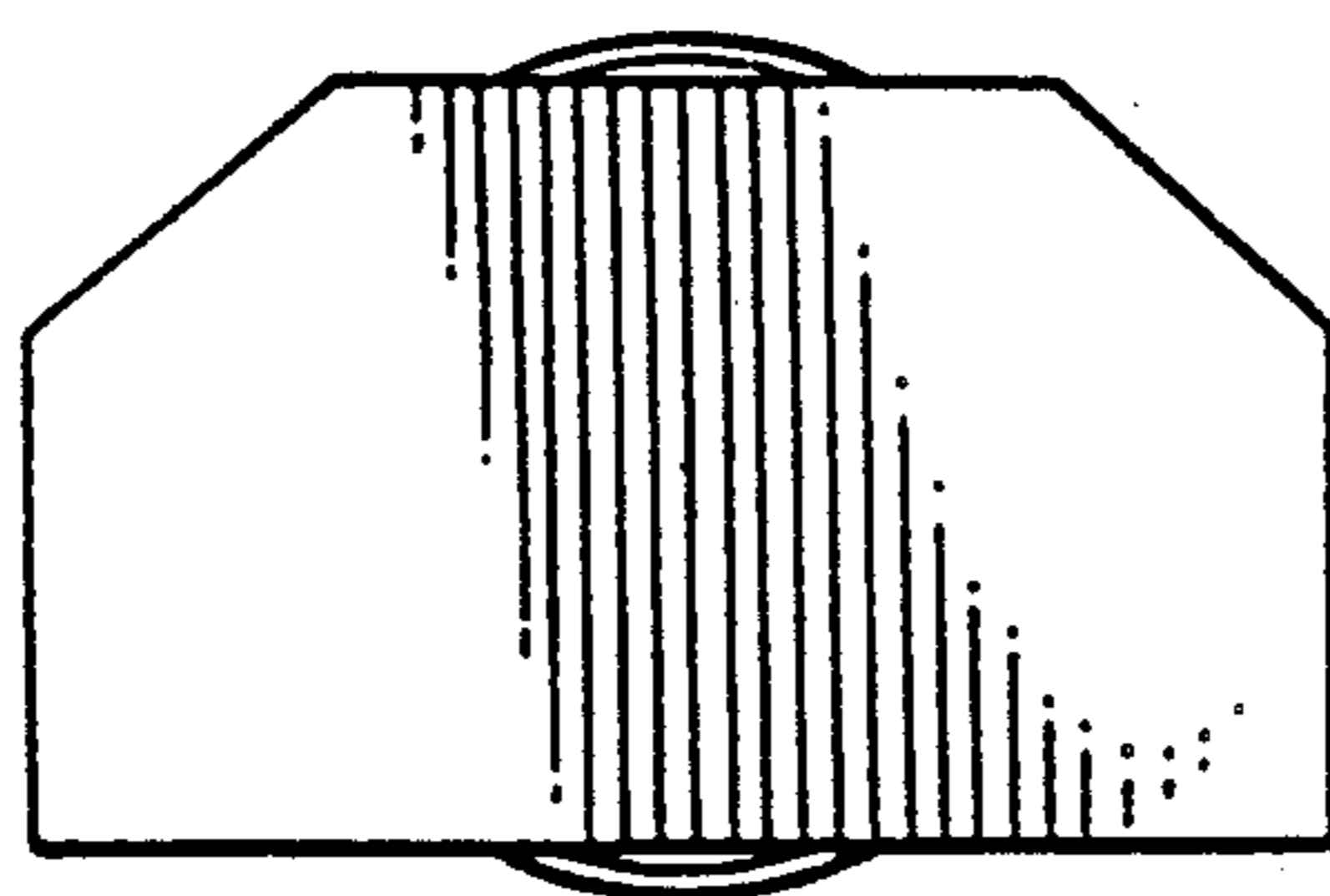


FIG. 6

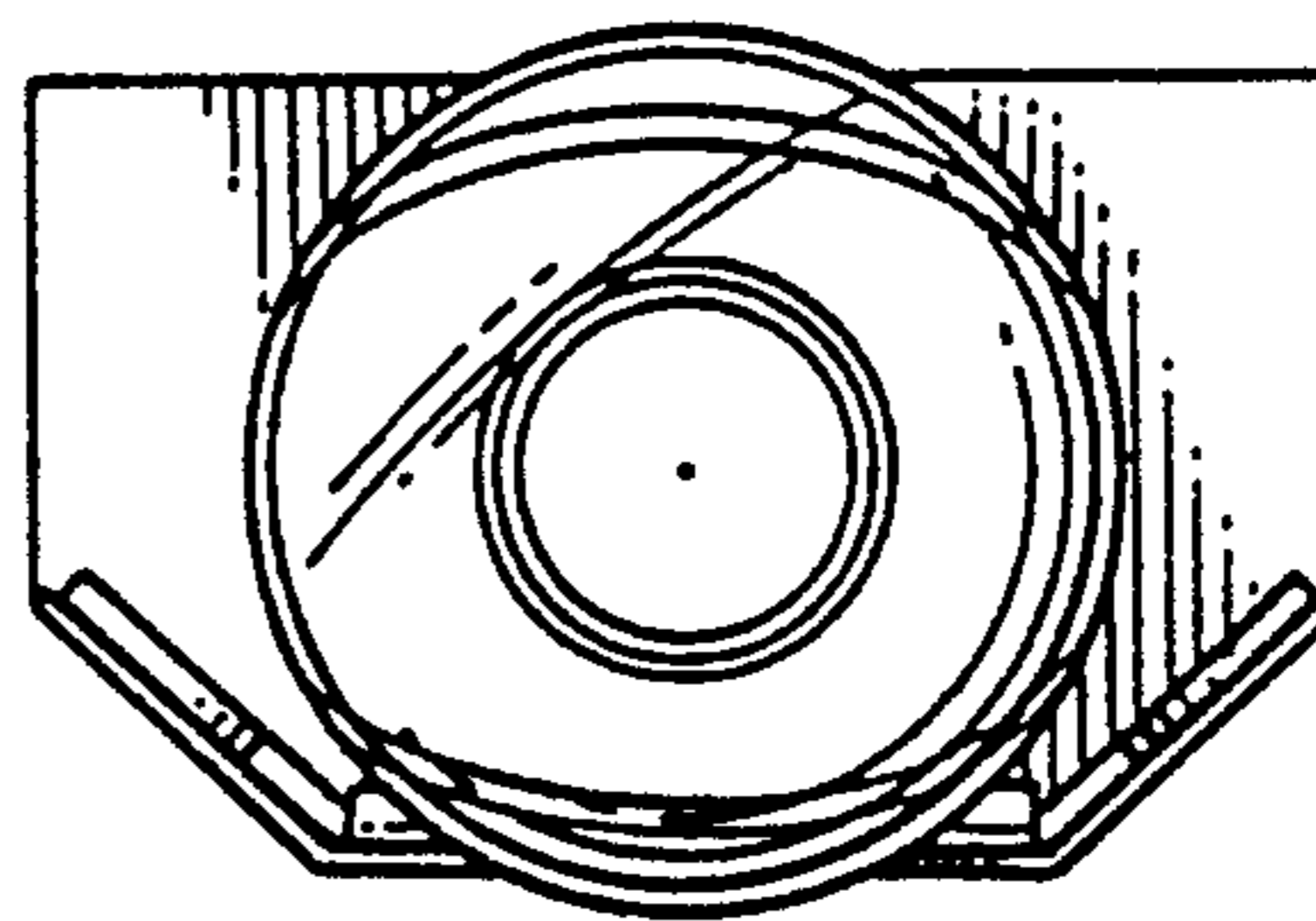


FIG. 7

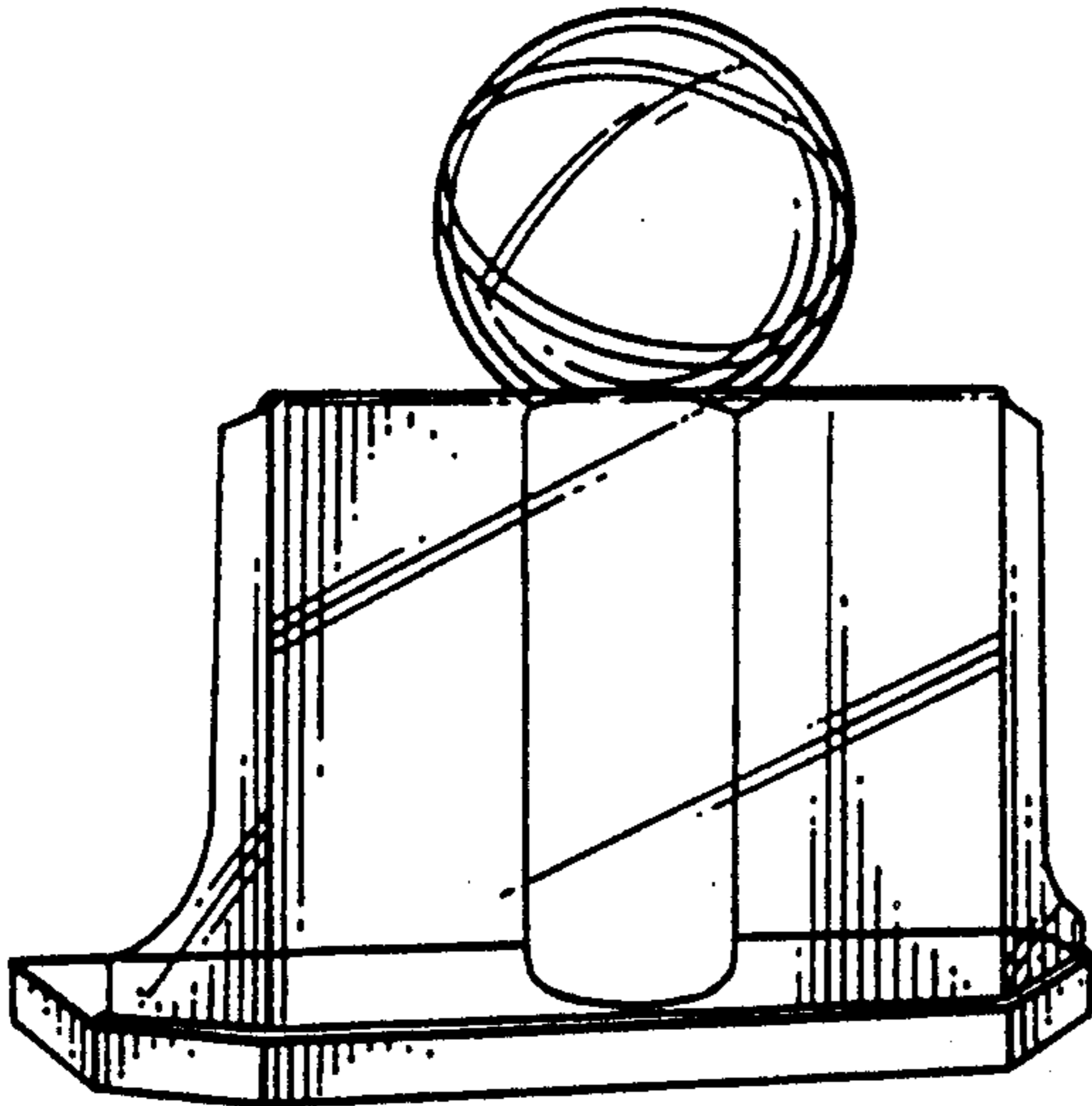


FIG. 8

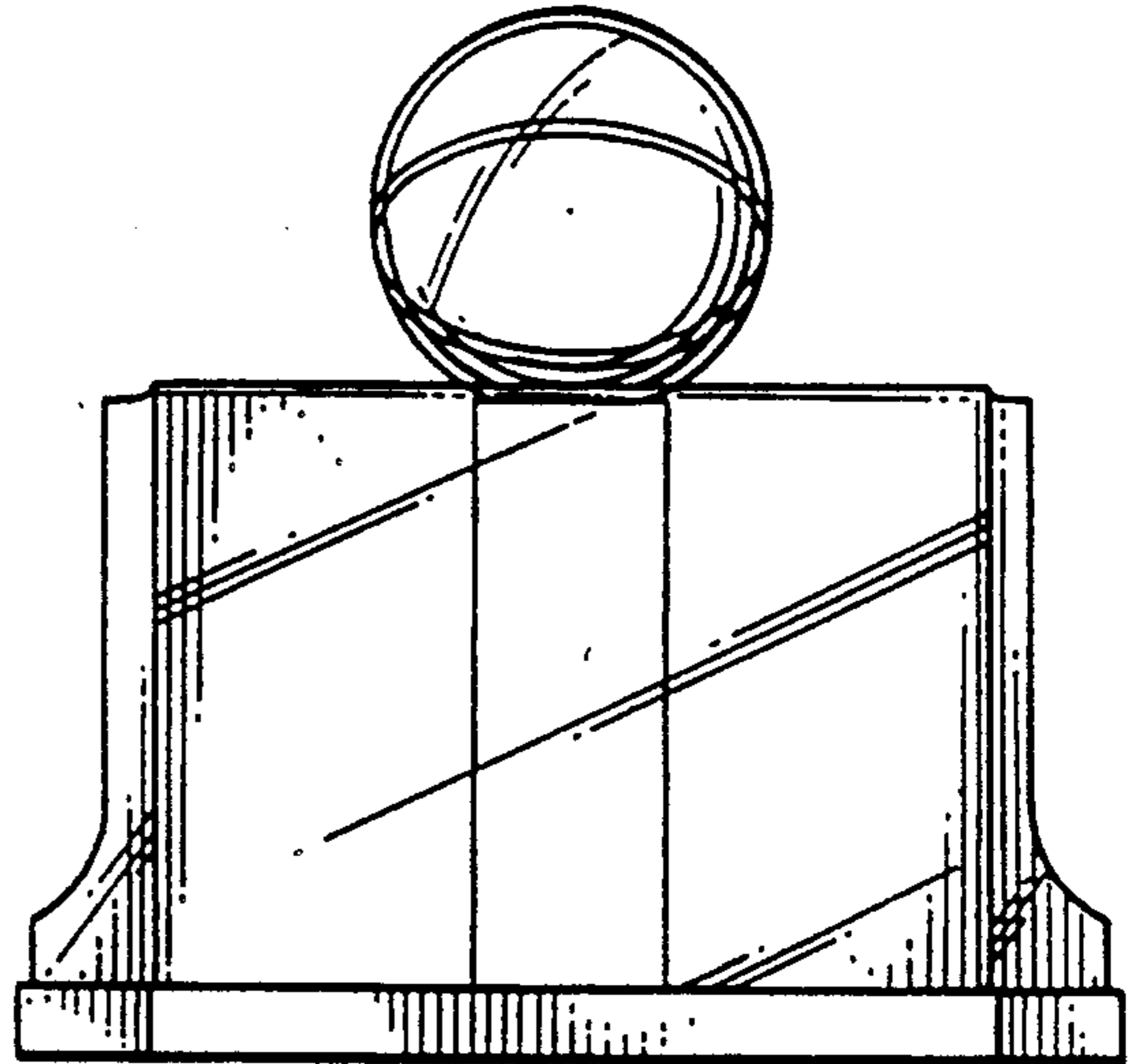


FIG. 9

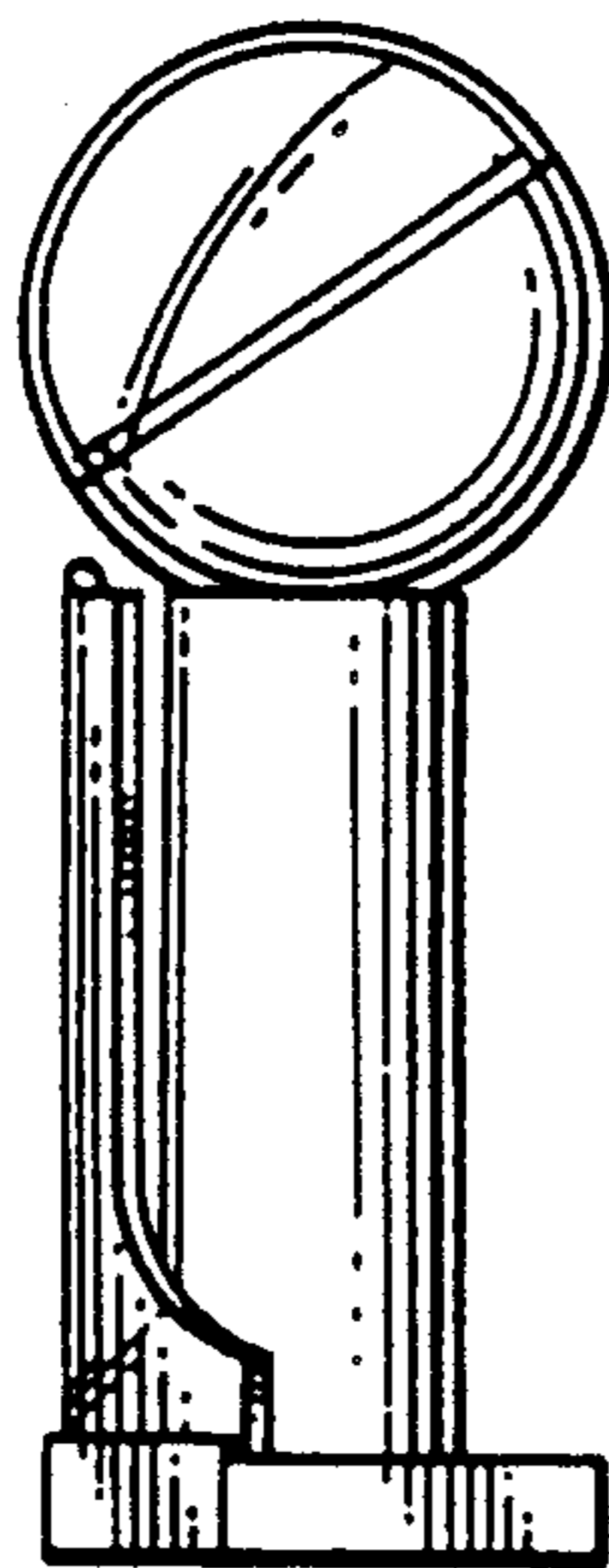


FIG. 10

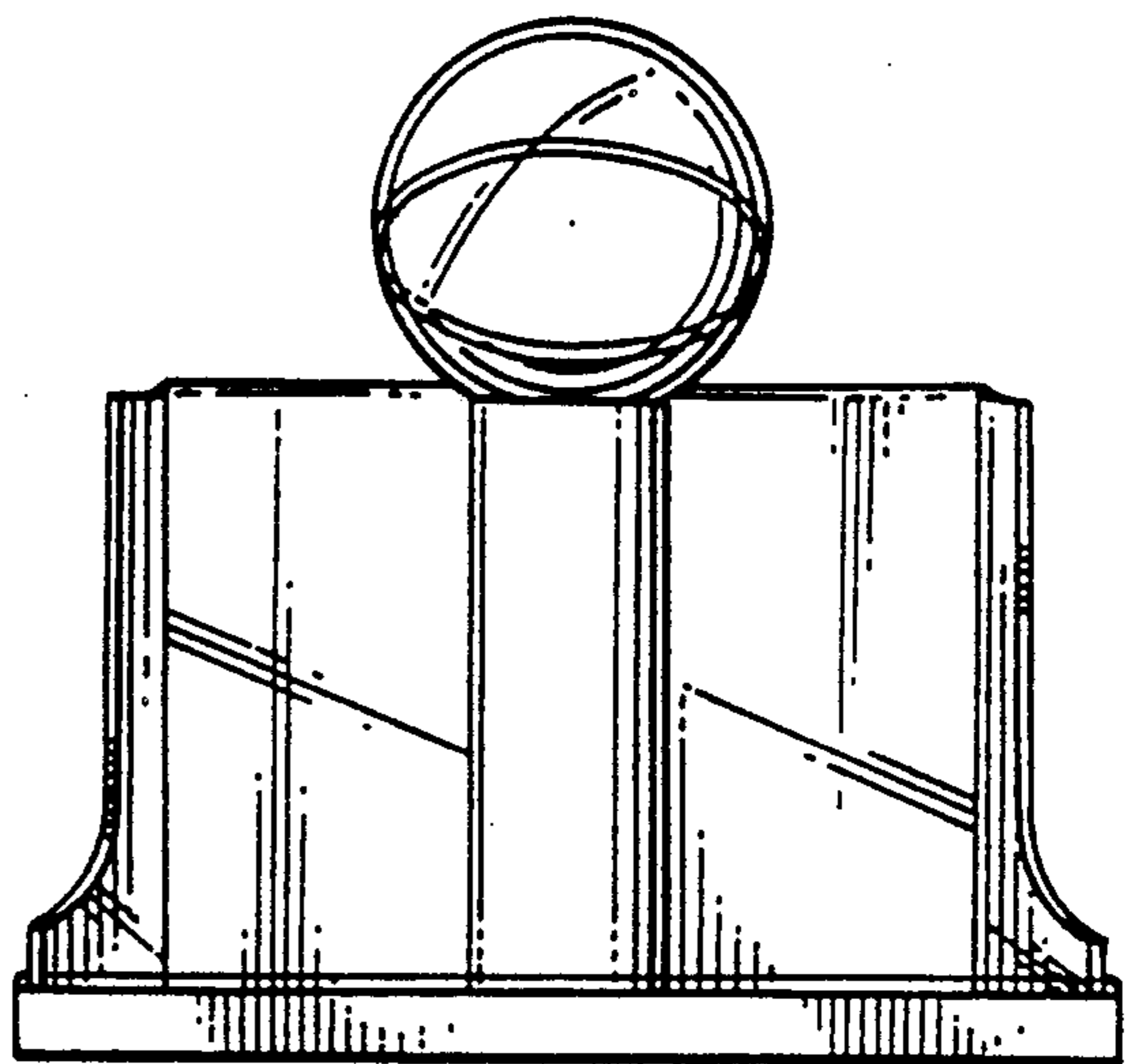


FIG. 11

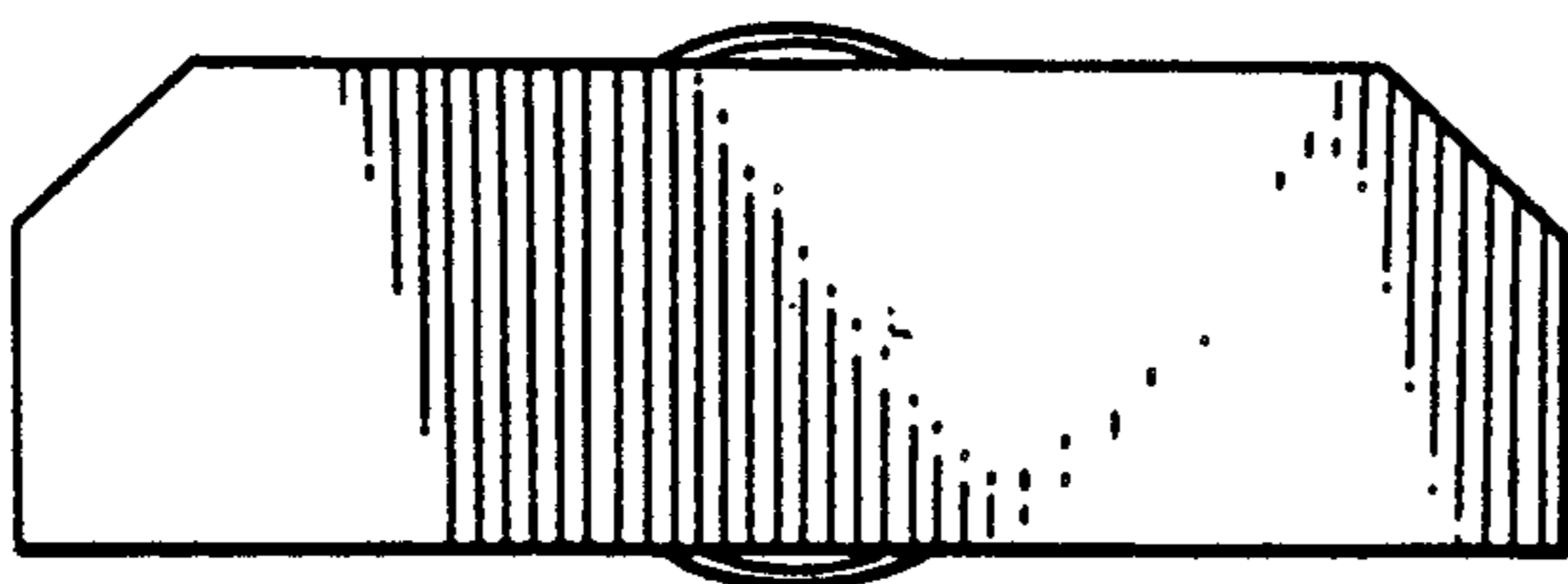


FIG. 12

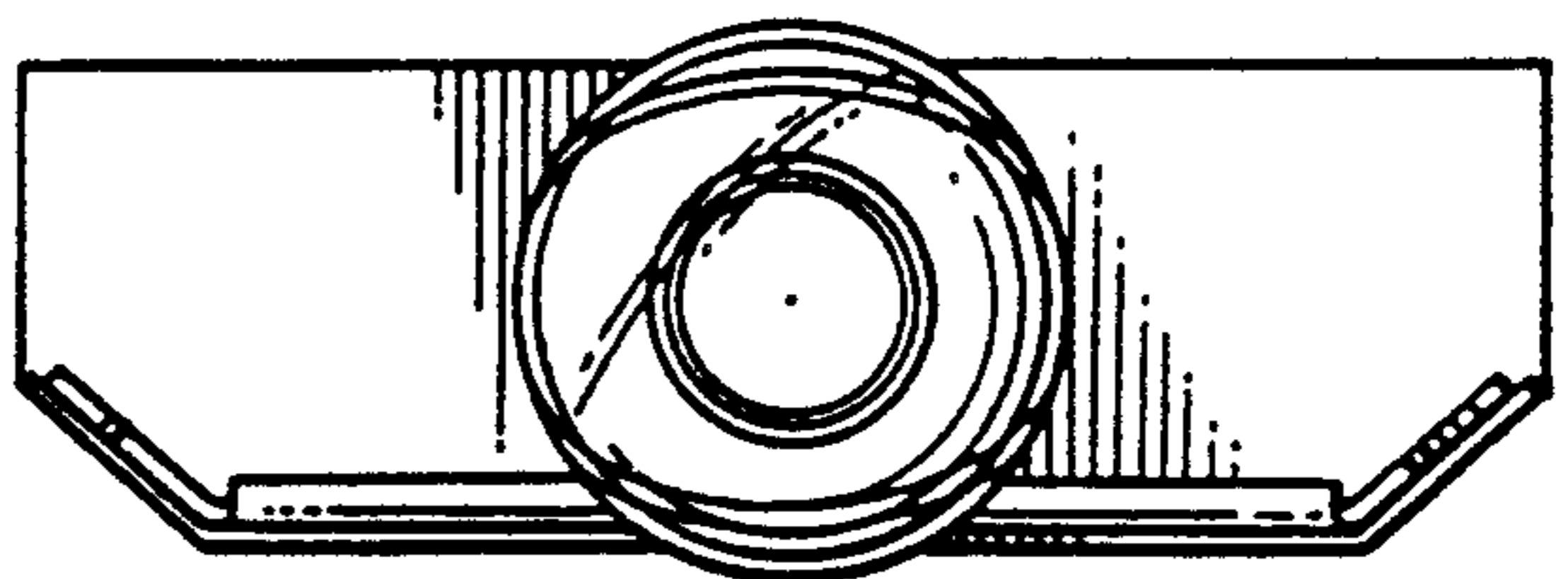


FIG. 13

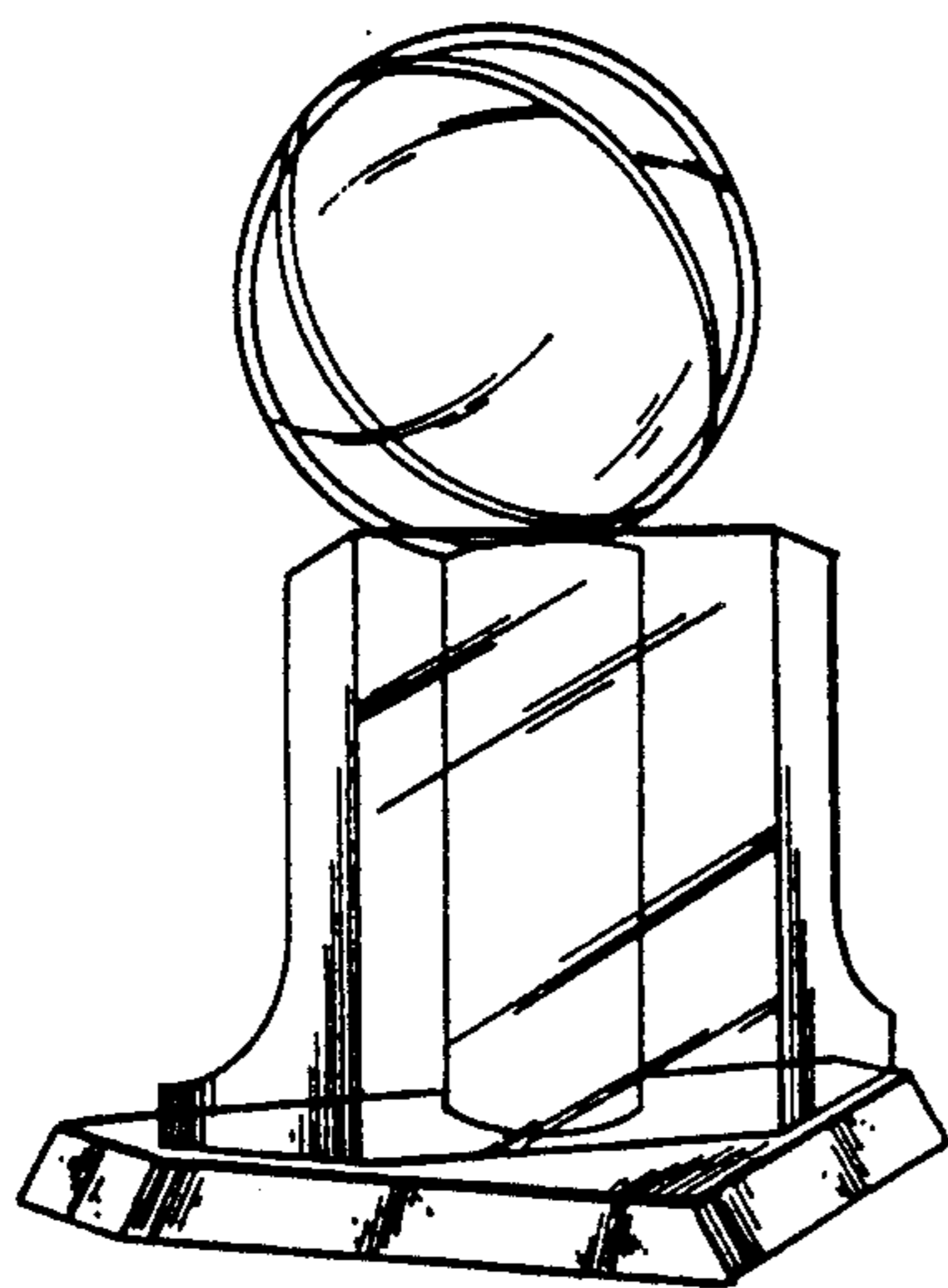


FIG. 14

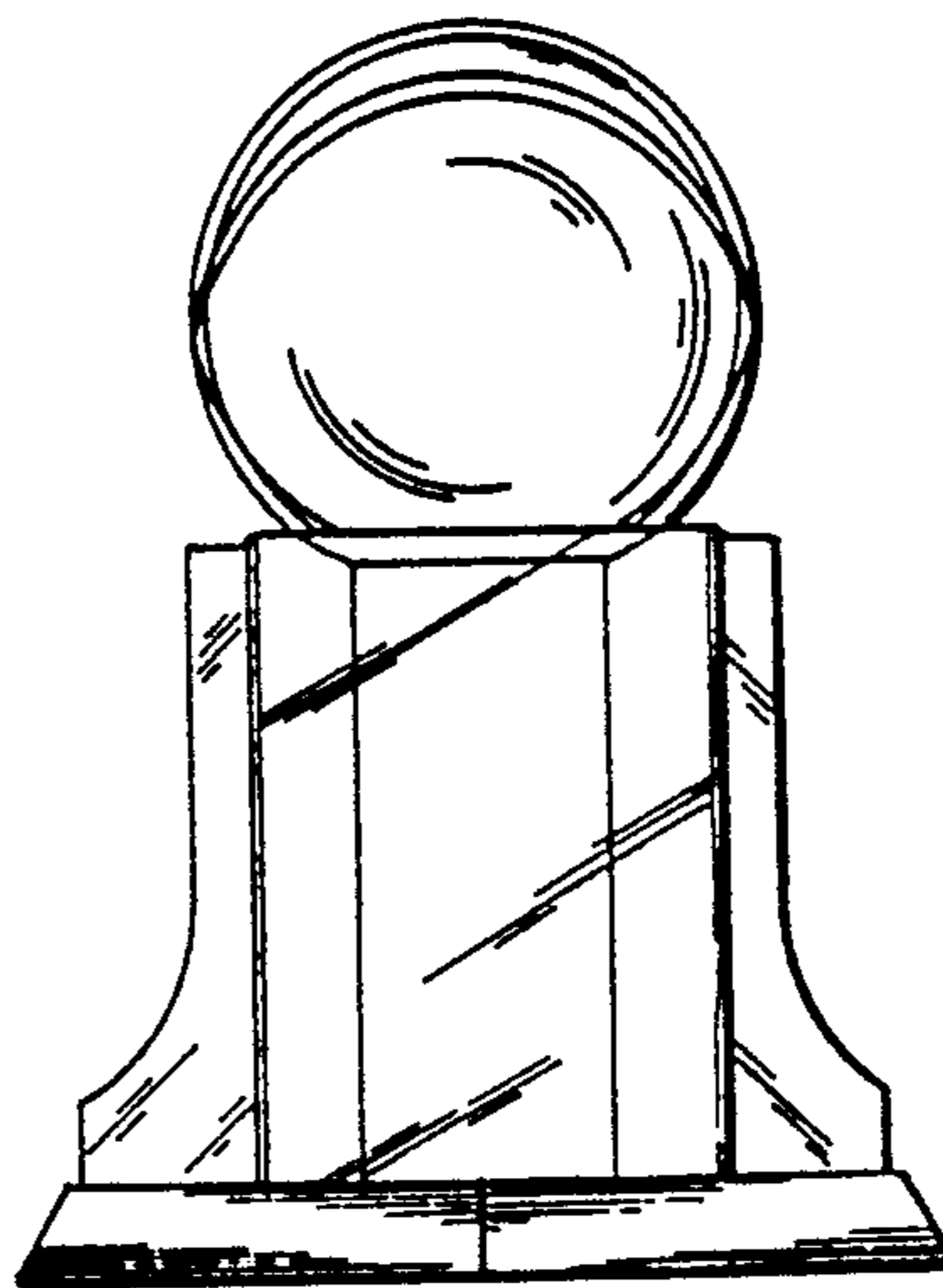


FIG. 15

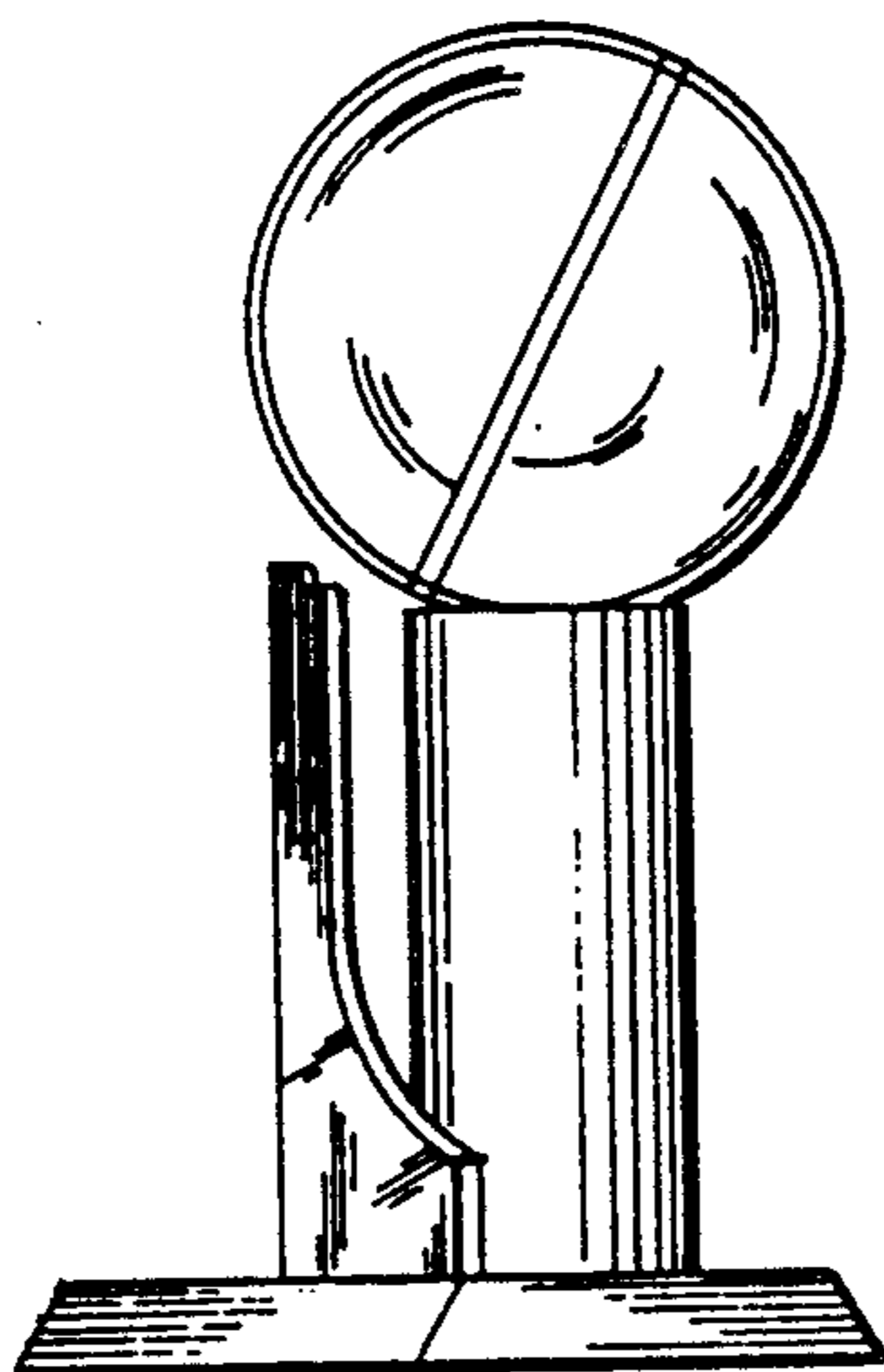


FIG. 16

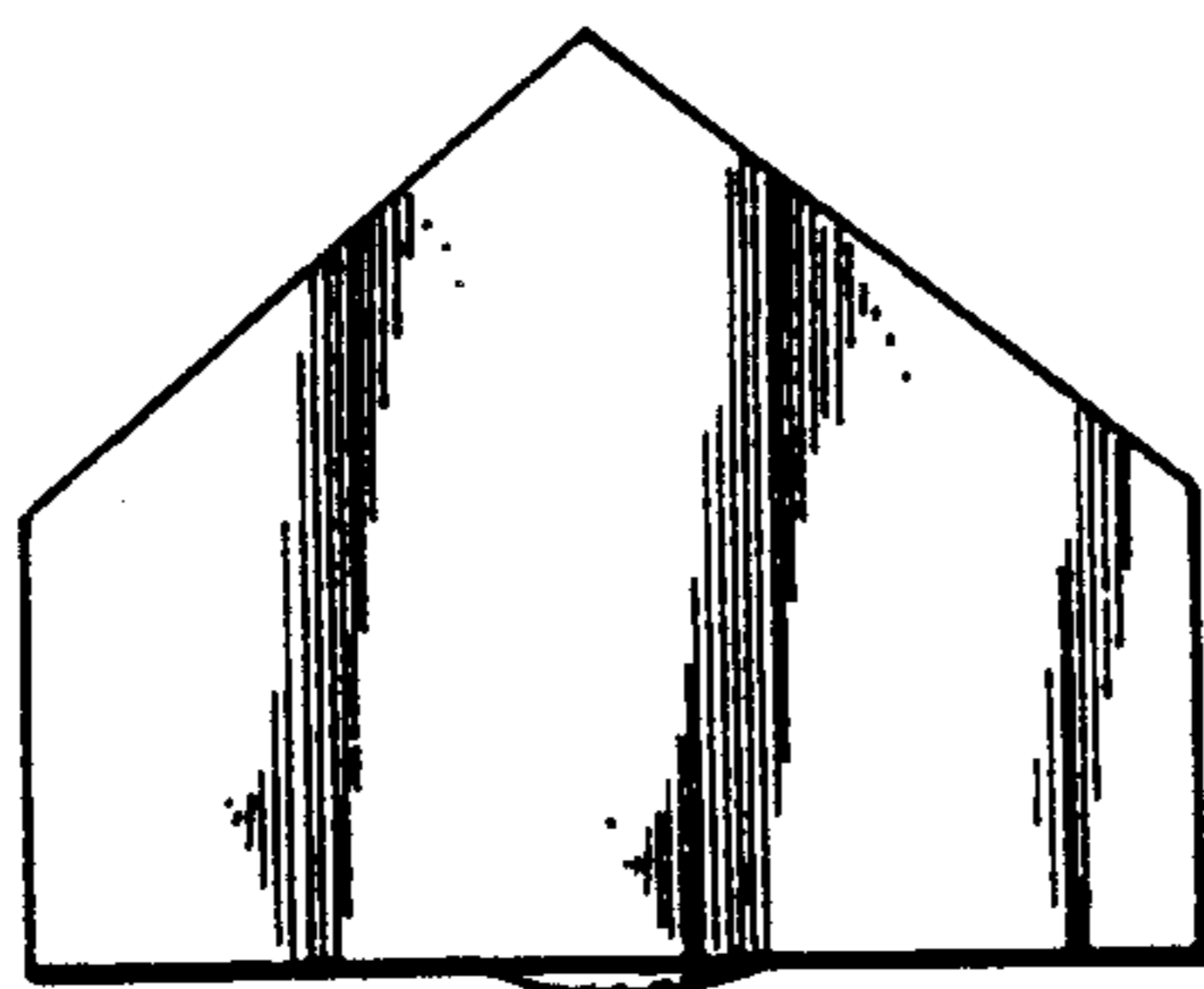
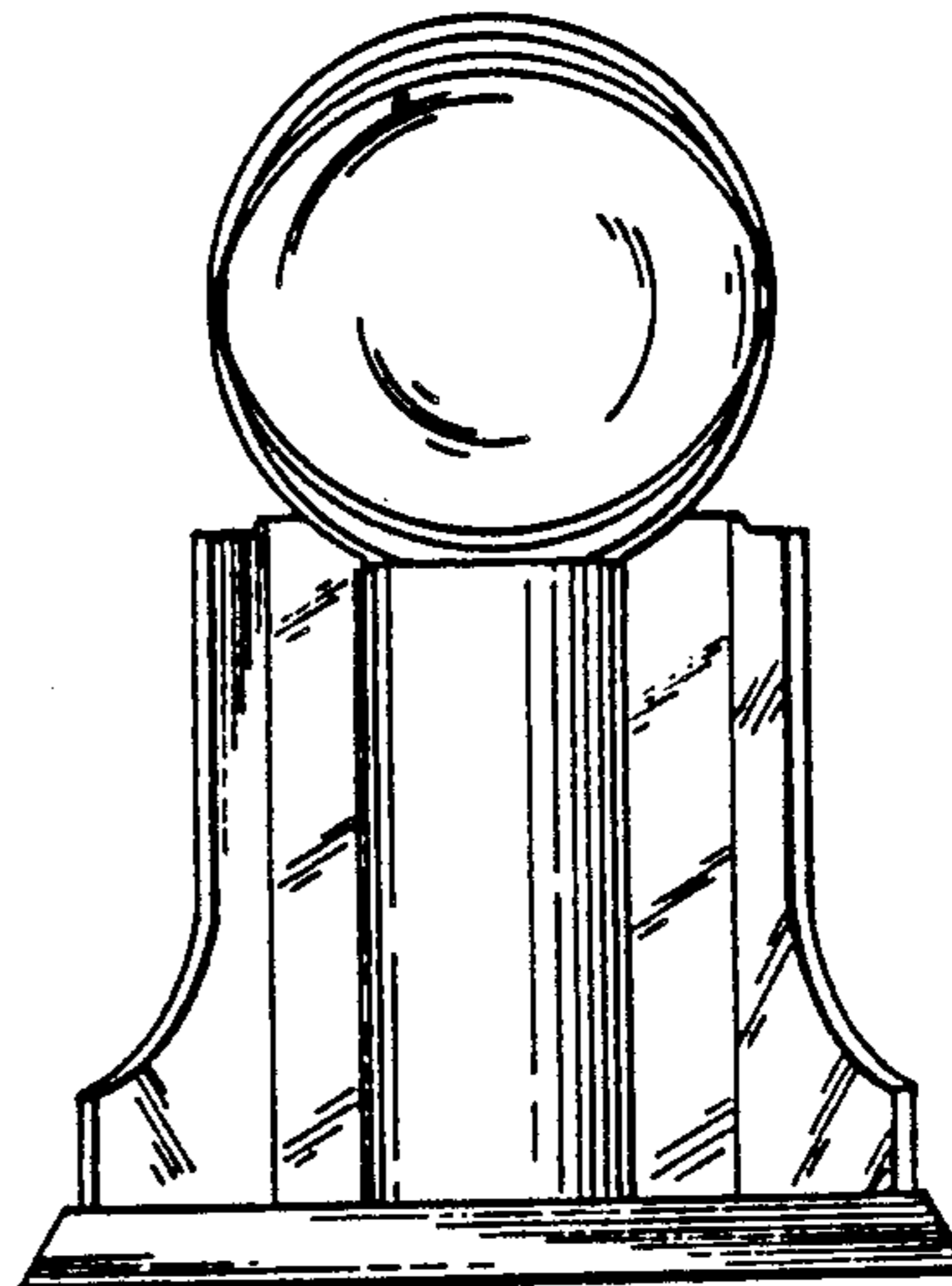


FIG. 17

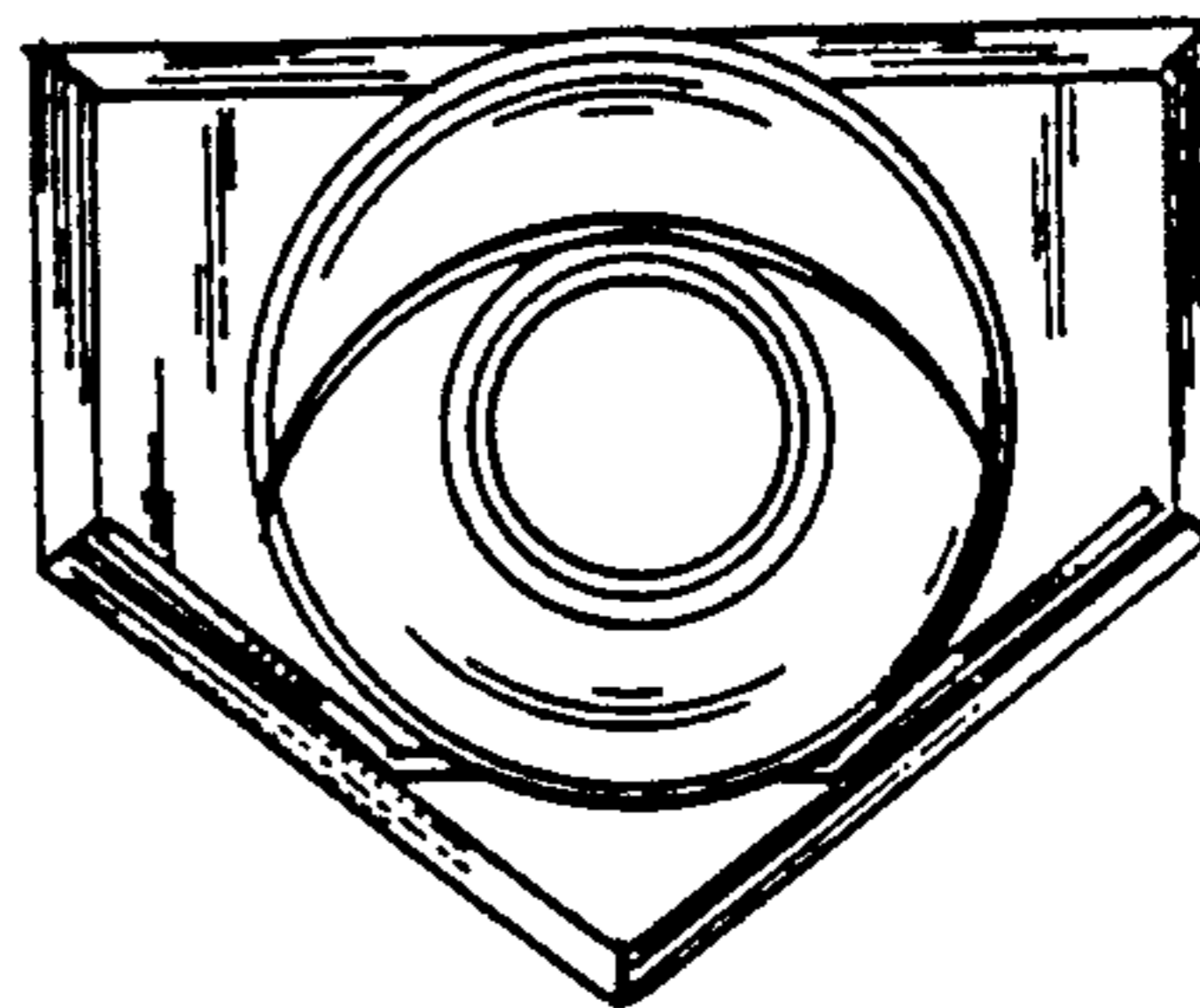


FIG. 18