

- [54] **CHALK LINE**
- [76] **Inventor: Mark E. Doyle, 13748 Malabar Ave., White Rock, B.C. V4B 2X9, Canada**
- [\*\*] **Term: 14 Years**
- [21] **Appl. No.: 272,876**
- [22] **Filed: Nov. 18, 1988**
- [52] **U.S. Cl. .... D10/61; D10/72**
- [58] **Field of Search .... D10/61, 64, 65, 68, D10/69, 70, 71, 72; 33/391, 392, 393, 394, 413, 414, 404, 407, 756, 757, 758, 759, 760, 761, 762, 763, 764, 765, 767, 768, 769; 242/84.8, 96**
- [56] **References Cited**

**U.S. PATENT DOCUMENTS**

D. 203,411	1/1966	Quenot	.....	D10/72
D. 203,622	2/1966	Quenot	.....	D10/72
D. 205,373	6/1966	Quenot	.....	D10/72
D. 205,467	8/1966	Quenot	.....	D10/72
665,537	1/1901	Major	.....	242/84.8
1,233,034	7/1917	Crogan	.....	33/768
1,424,085	7/1922	Crogan	.....	33/768
1,467,840	9/1923	Crogan	.....	33/769

1,491,437	4/1924	Taylor	.....	33/768
2,723,087	11/1955	Simmons	.....	242/84.8
3,325,116	6/1967	Quenot	.....	242/84.8

**FOREIGN PATENT DOCUMENTS**

175343	4/1922	Canada	.....	33/393
--------	--------	--------	-------	--------

**OTHER PUBLICATIONS**

Hardware Age News, Convex Rules, 2/1969, p. 48.

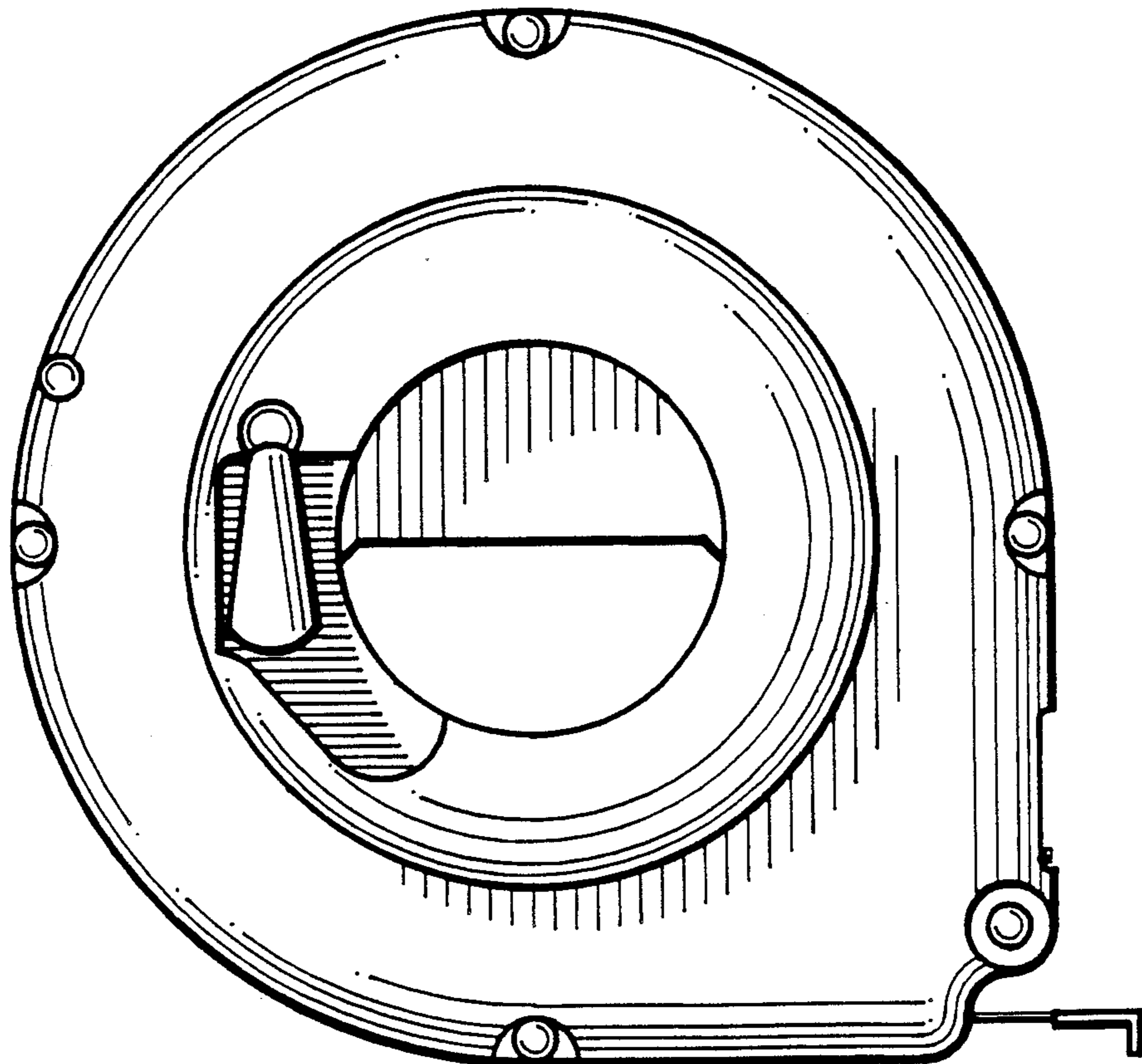
*Primary Examiner*—Nelson C. Holtje  
*Assistant Examiner*—Antoine D. Davis  
*Attorney, Agent, or Firm*—Jerry T. Kearns

[57] **CLAIM**

The ornamental design for a chalk line, as shown and described.

**DESCRIPTION**

FIG. 1 is a front elevational view of a chalk line showing my new design;  
FIG. 2 is a rear elevational view;  
FIG. 3 is a left side elevational view;  
FIG. 4 is a right side elevational view;  
FIG. 5 is a top plan view; and  
FIG. 6 is a bottom plan view thereof.



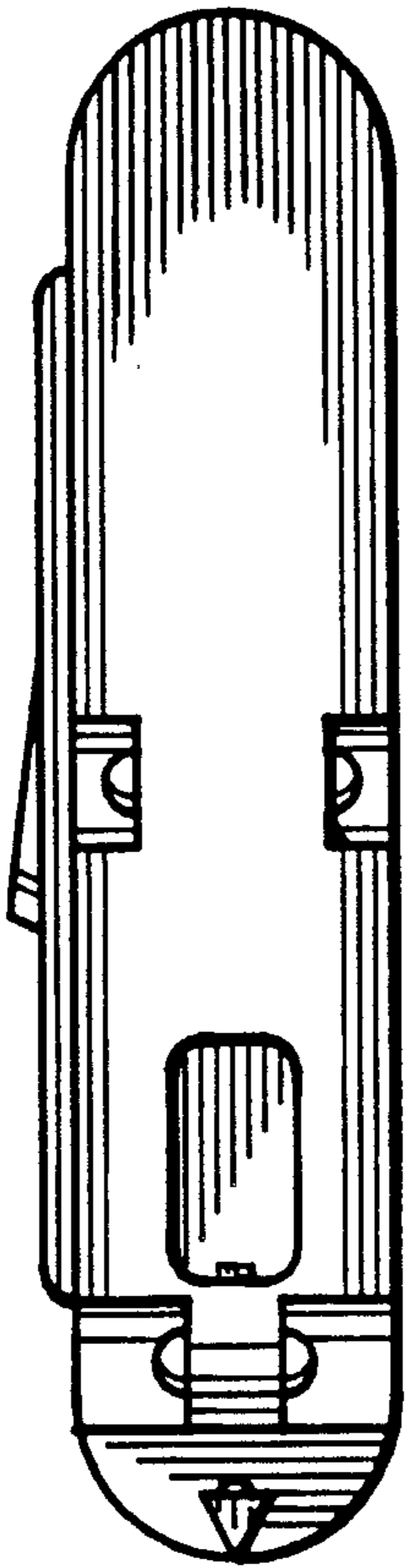


Fig. 1

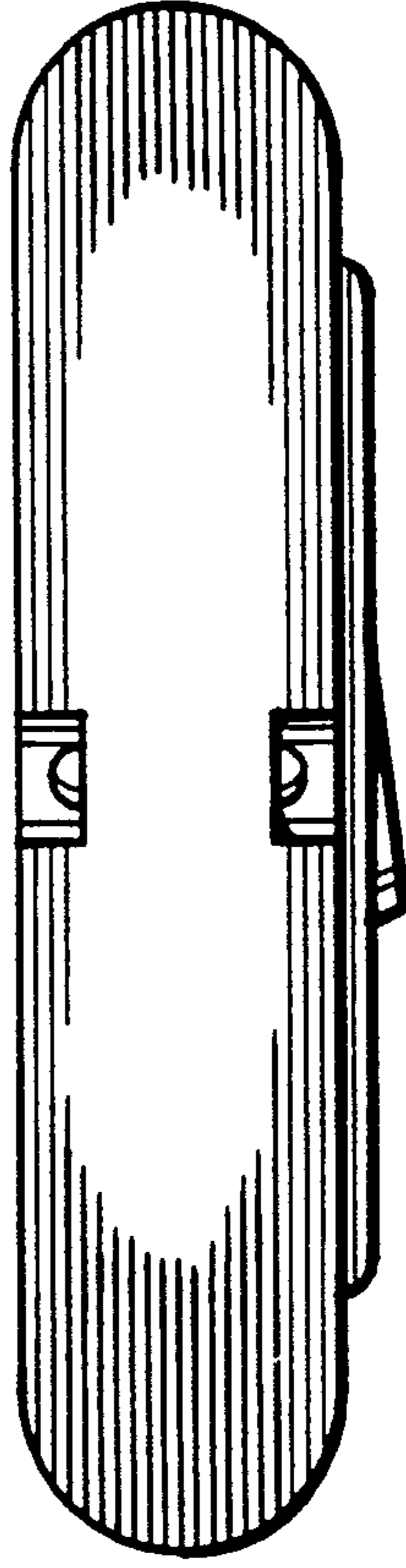


Fig. 2

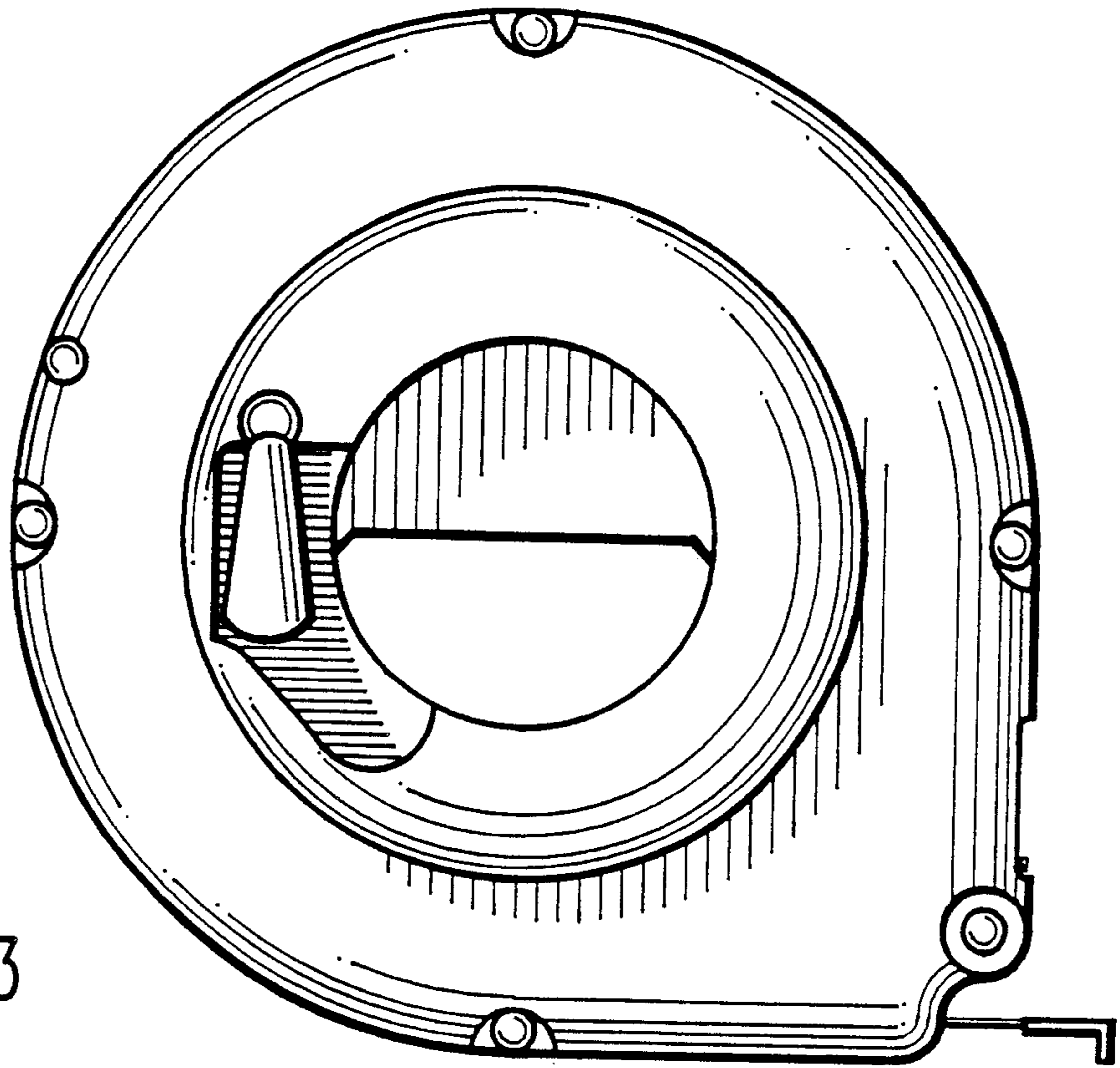


Fig. 3

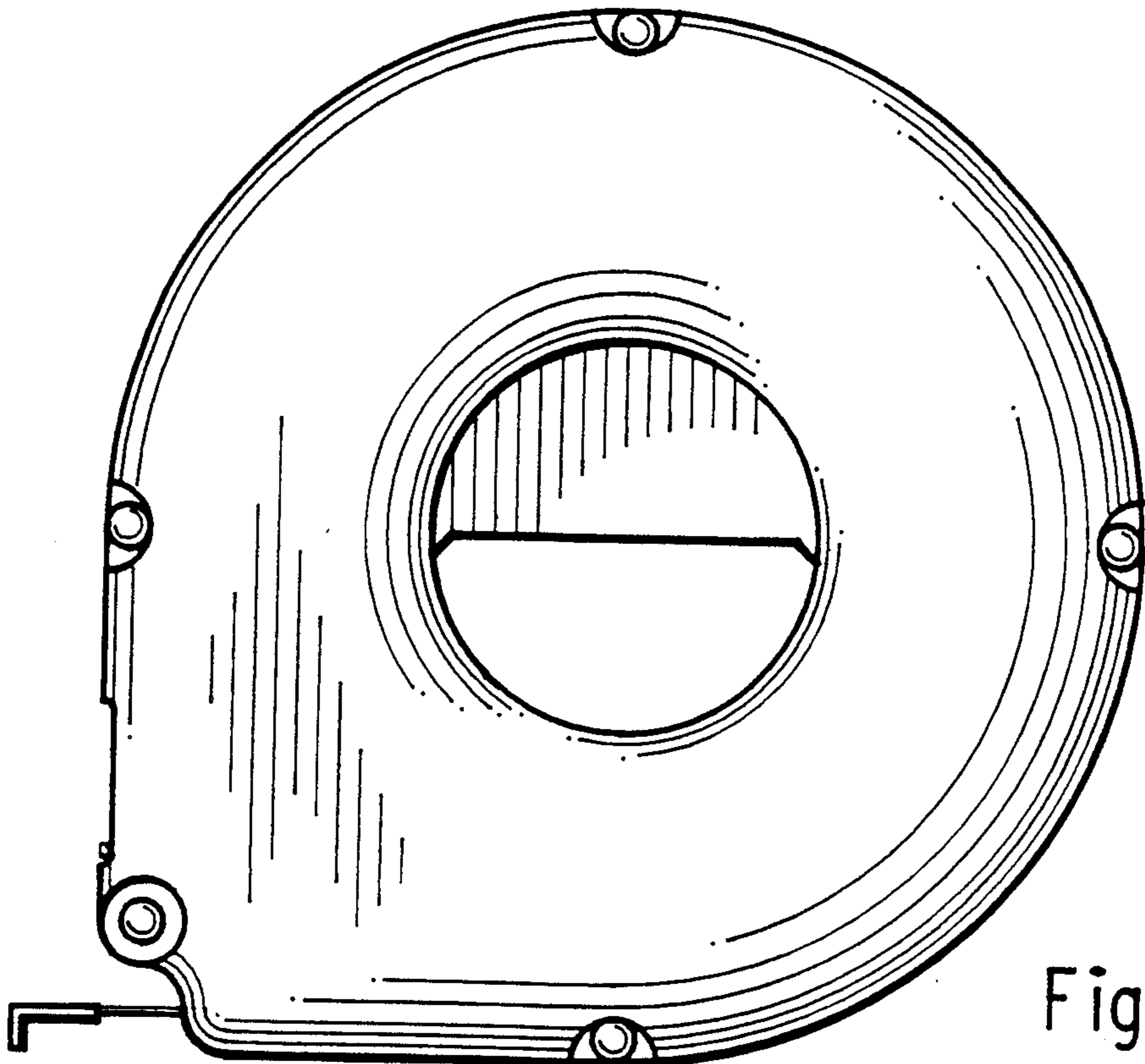


Fig. 4

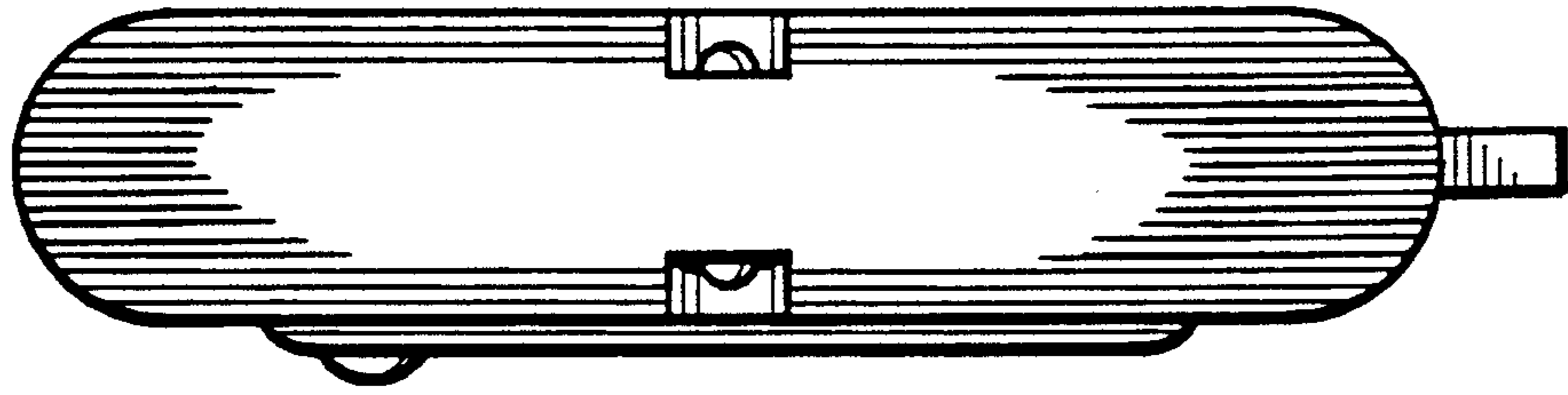


Fig. 5

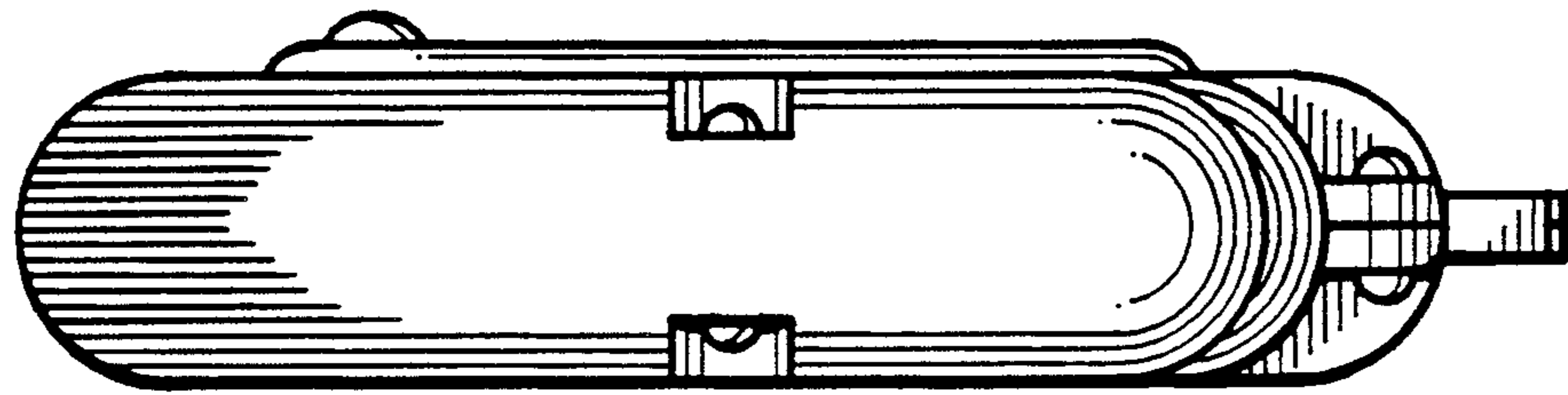


Fig. 6