

[54] CARRYING HANDLE FOR GROCERY BAGS

3,680,752 8/1972 Wilson ..... 294/171  
3,800,361 4/1974 Stauffer ..... 16/114 B

[76] Inventor: Roberto Preciutti, 5883 Cape Horn Dr., Agoura Hills, Calif. 91301

Primary Examiner—B. J. Bullock  
Assistant Examiner—Sandra Morris  
Attorney, Agent, or Firm—Thomas I. Rozsa

[\*\*] Term: 14 Years

[21] Appl. No.: 164,713

[57] CLAIM

[22] Filed: Mar. 7, 1988

The ornamental design for a carrying handle for grocery bags, as shown.

[52] U.S. Cl. .... D9/455; D8/300

[58] Field of Search ..... D8/300, 315; D9/434, D9/443, 455, 499; D19/65; 16/114 B, DIG. 12, DIG. 19; 220/94 R, 95; 229/914; 294/153, 164, 171; 383/6, 13

DESCRIPTION

FIG. 1 is a perspective view of a carrying handle for grocery bags, showing my new design;  
FIG. 2 is a front elevational view thereof, the rear being a mirror image;  
FIG. 3 is a side elevational view thereof, both sides being identical;  
FIG. 4 is a bottom plan view thereof;  
FIG. 5 is a top plan view thereof.

[56] References Cited

U.S. PATENT DOCUMENTS

D. 204,295 4/1966 Brekke ..... D9/455  
D. 290,935 7/1987 Williams ..... D8/315  
2,506,781 5/1950 Elliot ..... 294/171

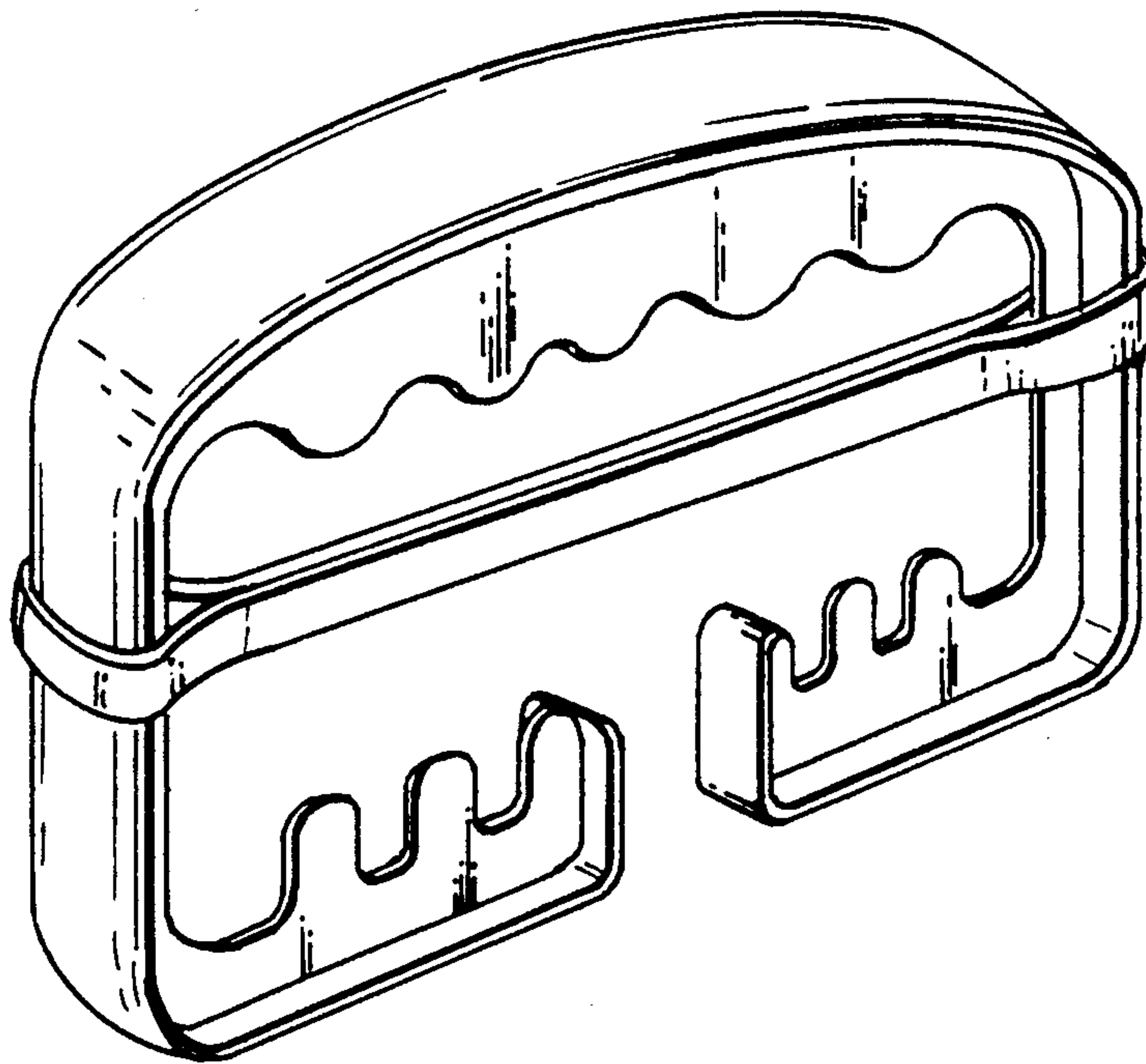


Fig. 1.

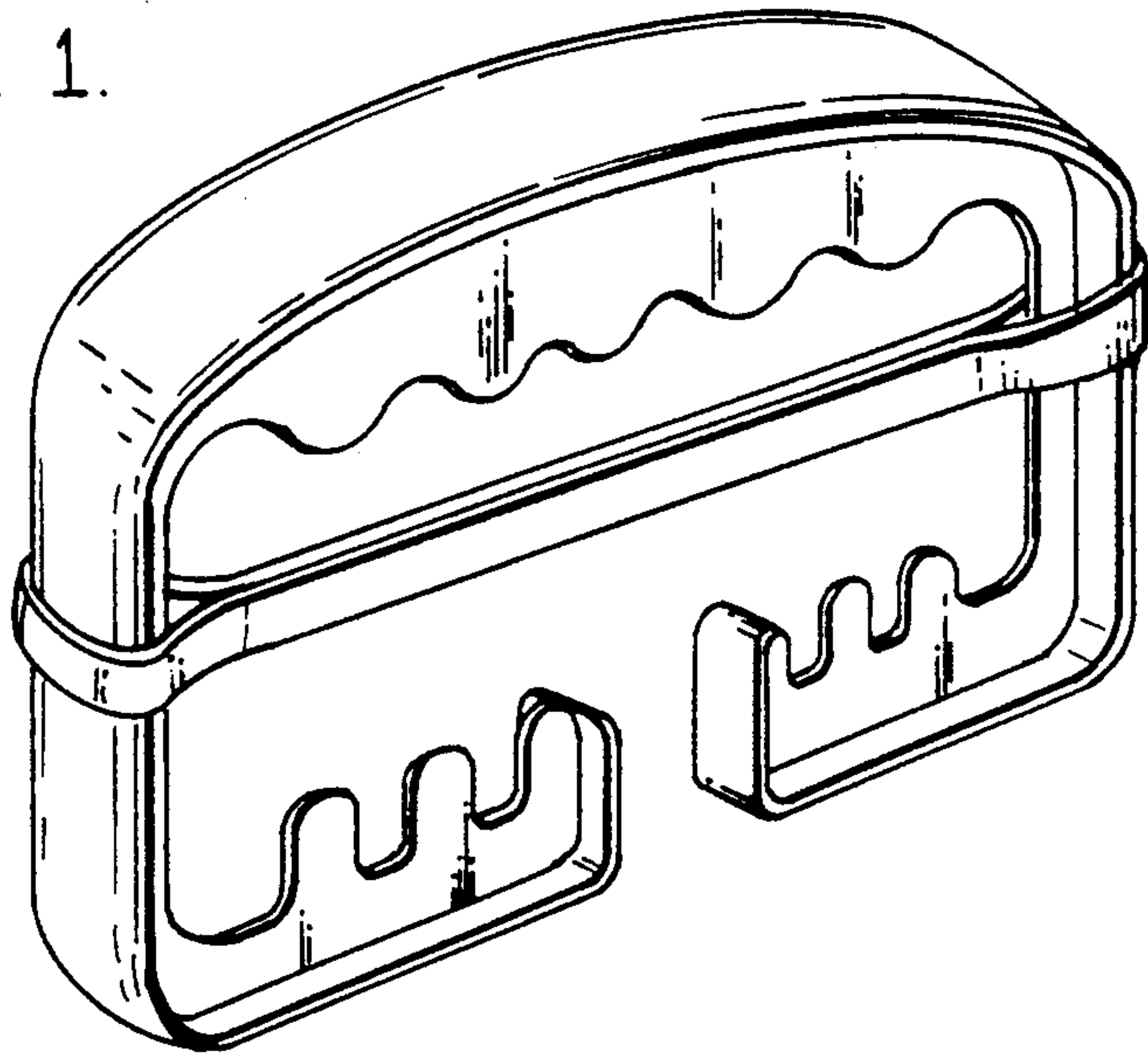


Fig. 2.

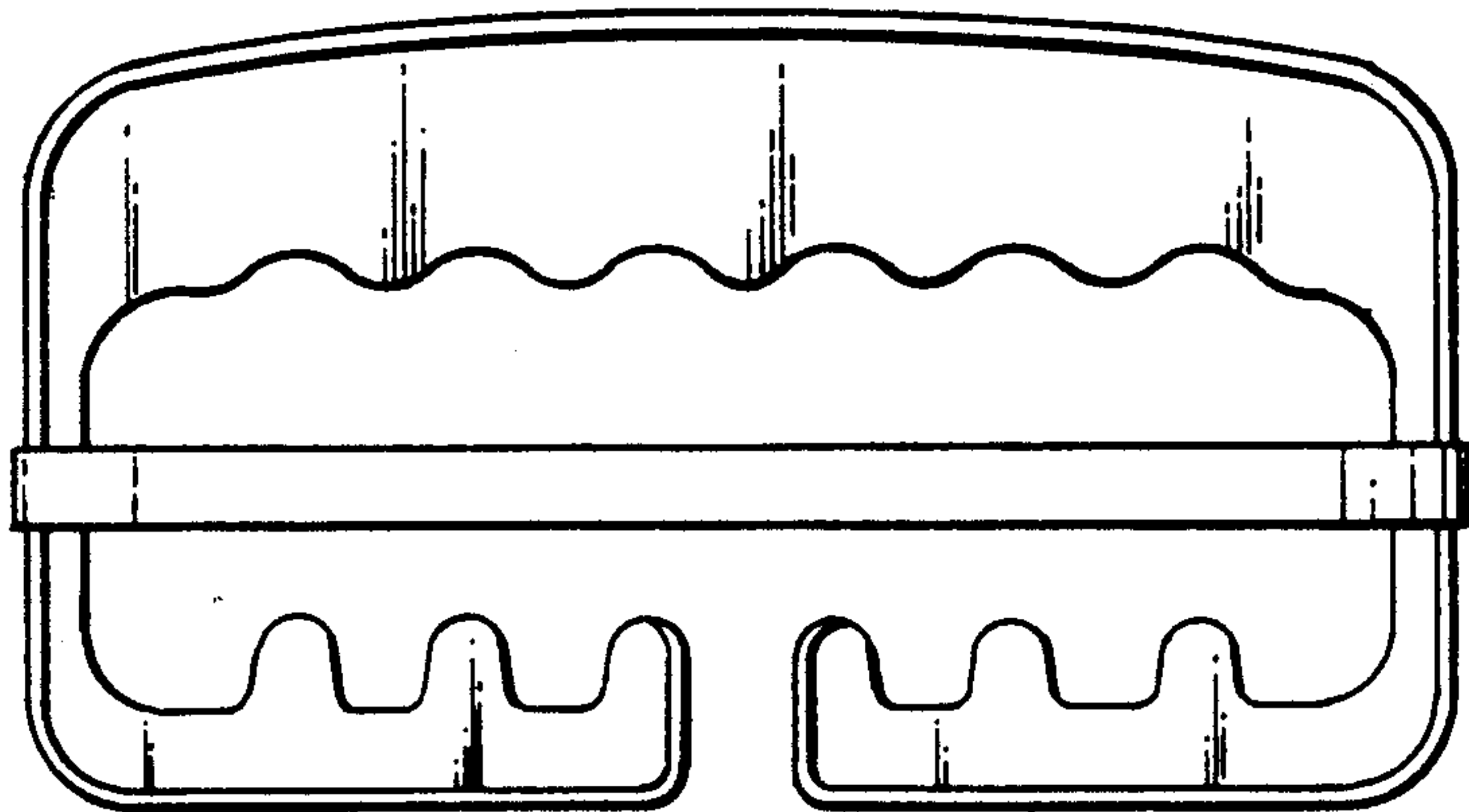


Fig. 3.

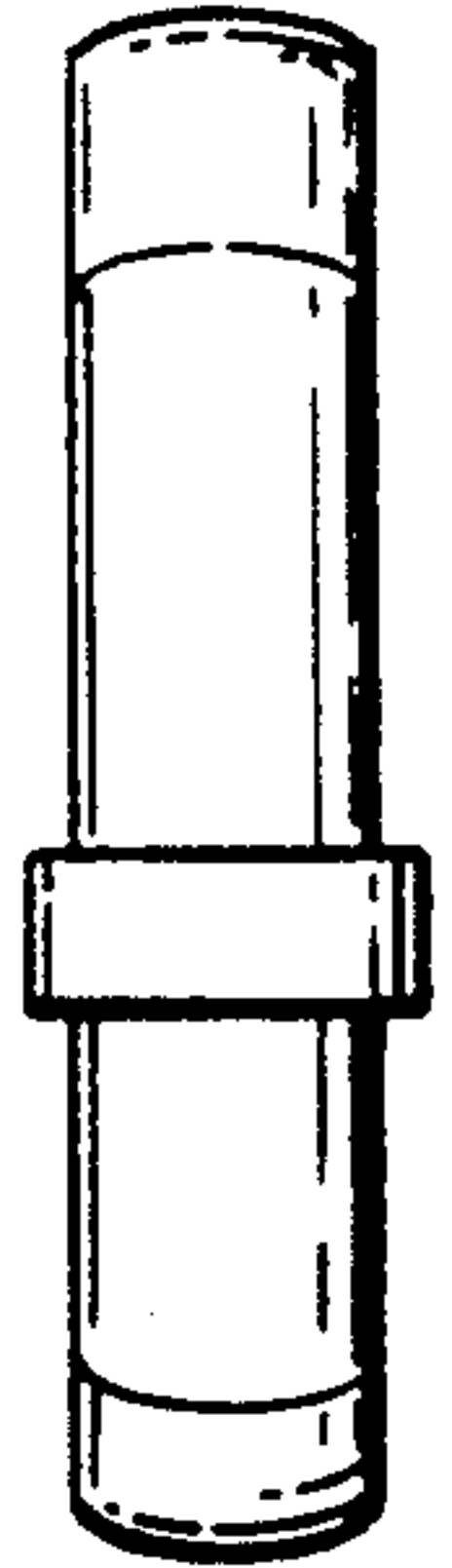


Fig. 4.



Fig. 5.

