

[54] UPPER PORTION OF A DISPENSER AND INTEGRAL CAP THEREFOR

[75] Inventor: Eugene E. Davis, Ilford, United Kingdom

[73] Assignee: Johnsen & Jorgensen, London, England

[**] Term: 14 Years

[21] Appl. No.: 215,427

[22] Filed: Oct. 21, 1988

[52] U.S. Cl. D9/446

[58] Field of Search D9/300, 352, 434, 435, D9/438, 440, 446; 215/1 R, 1 C, 235, 237, 296, 306; 220/375

[56] References Cited

U.S. PATENT DOCUMENTS

D. 278,414	4/1985	Cho	D9/446
D. 280,802	10/1985	Cho	D9/446
3,416,688	7/1966	Fanning	D9/446
4,487,324	12/1984	Ostrowsky	215/235

OTHER PUBLICATIONS

Drug & Cosmetic Industry, Oct. 1986, p. 77, Pic of Bausch & Lomb Bottle in lower right corner.
 Modern Plastics, Mar. 1986, p. 65, Closure on Bottle in center.
 Modern Packaging Encyclopedia, 1970, p. 296, Bactine Bottle in lower left.

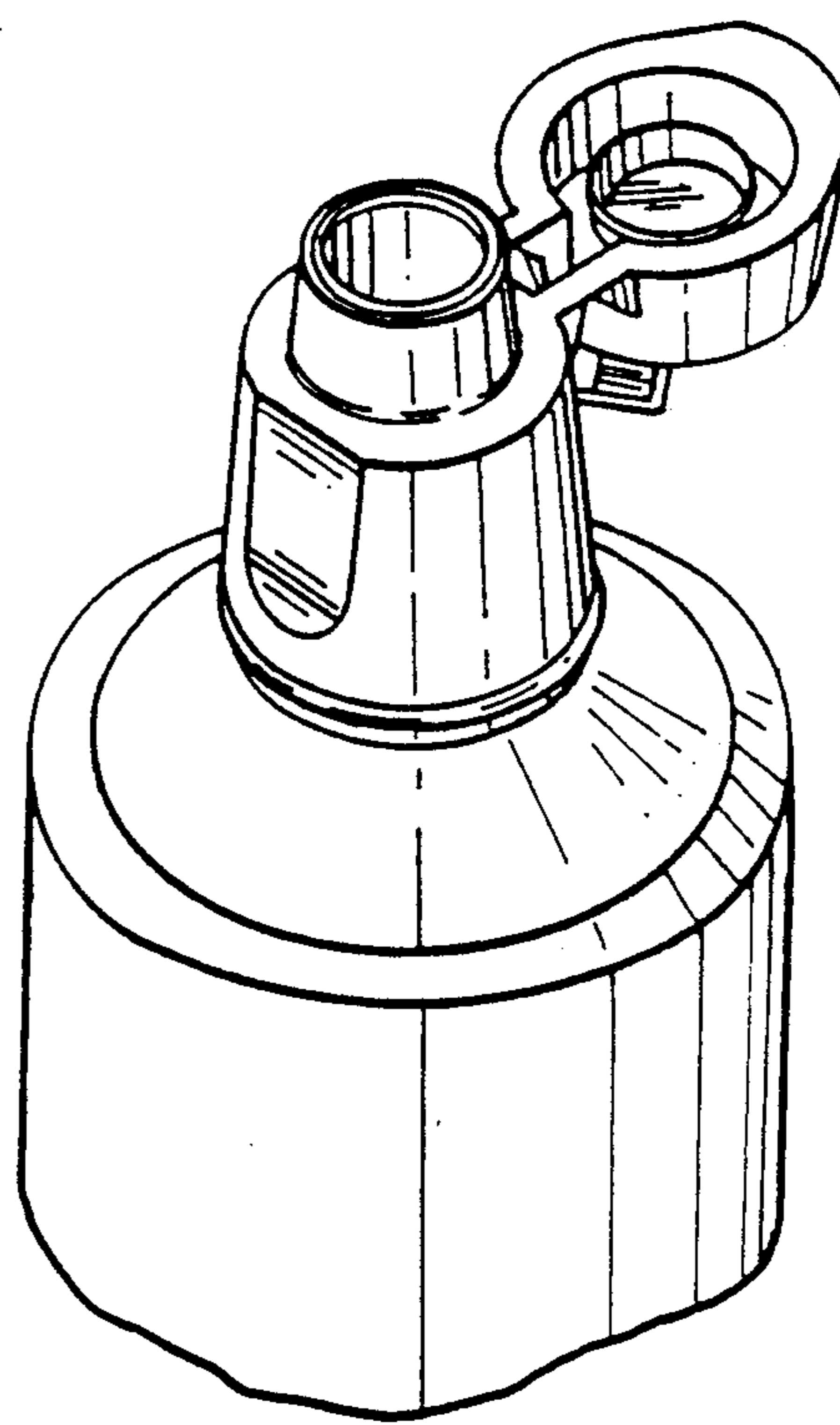
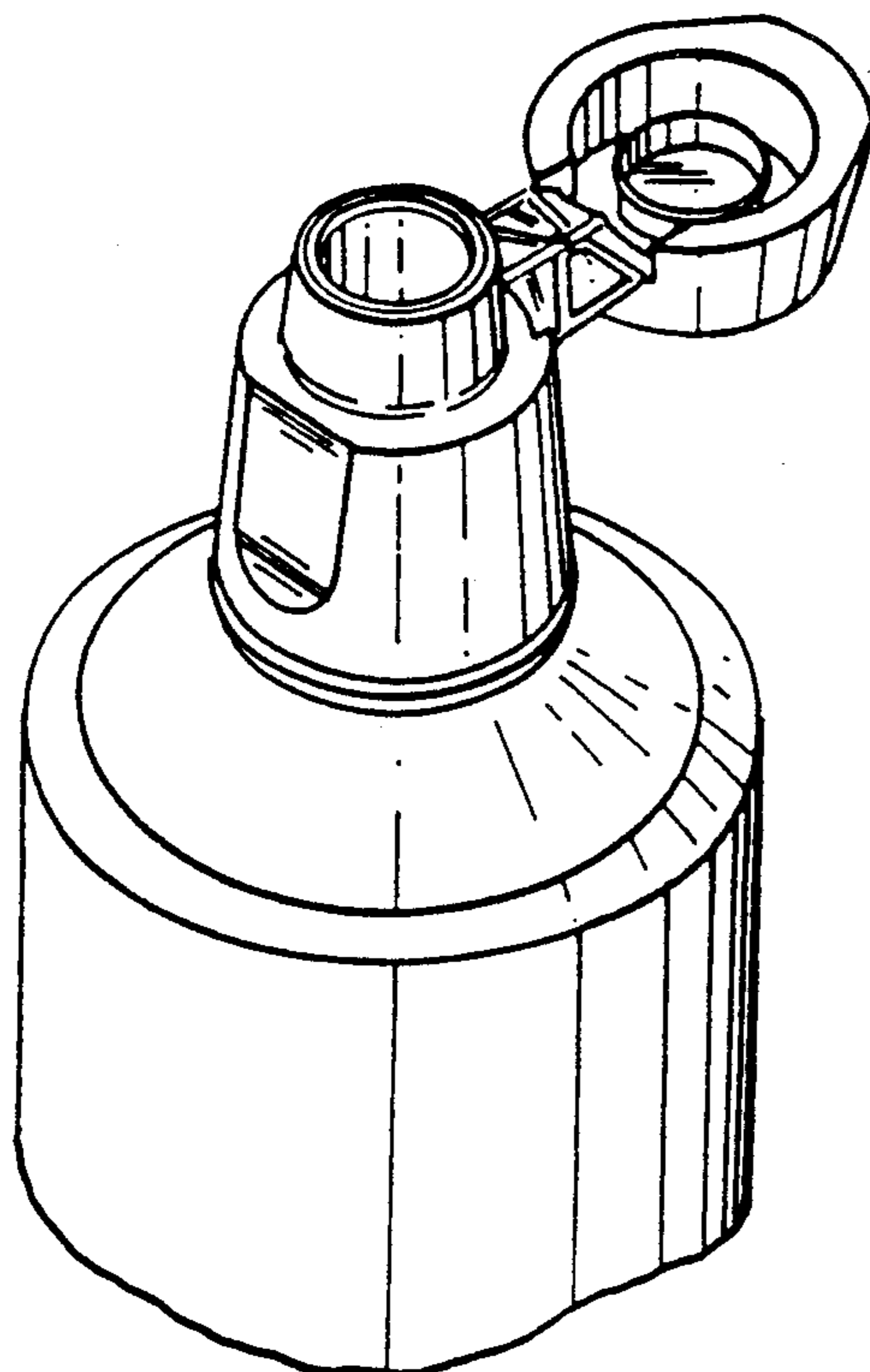
Primary Examiner—B. J. Bullock
 Assistant Examiner—Sandra Morris
 Attorney, Agent, or Firm—Hurt, Richardson, Garner, Todd & Cadenhead

[57] CLAIM

The ornamental design for an upper portion of a dispenser and integral cap therefor, as shown and described.

DESCRIPTION

FIG. 1 is a front view of an upper portion of a dispenser and integral cap therefor, showing my new design;
 FIG. 2 is a rear view, thereof;
 FIG. 3 is a right side view, thereof;
 FIG. 4 is a top plan view thereof;
 FIG. 5 is a top plan view thereof, with the cap shown open;
 FIG. 6 is a right side view thereof, with the cap shown open;
 FIG. 7 is a perspective view thereof, with the cap shown open;
 FIG. 8 is a front view of a second embodiment of FIG. 1;
 FIG. 9 is a rear view of FIG. 8;
 FIG. 10 is a right side view of FIG. 8;
 FIG. 11 is a top plan view of FIG. 8;
 FIG. 12 is a top plan view of FIG. 8, with the cap shown open;
 FIG. 13 is a right side view of FIG. 8, with the cap shown open;
 FIG. 14 is a perspective view of FIG. 8, with the cap shown open.



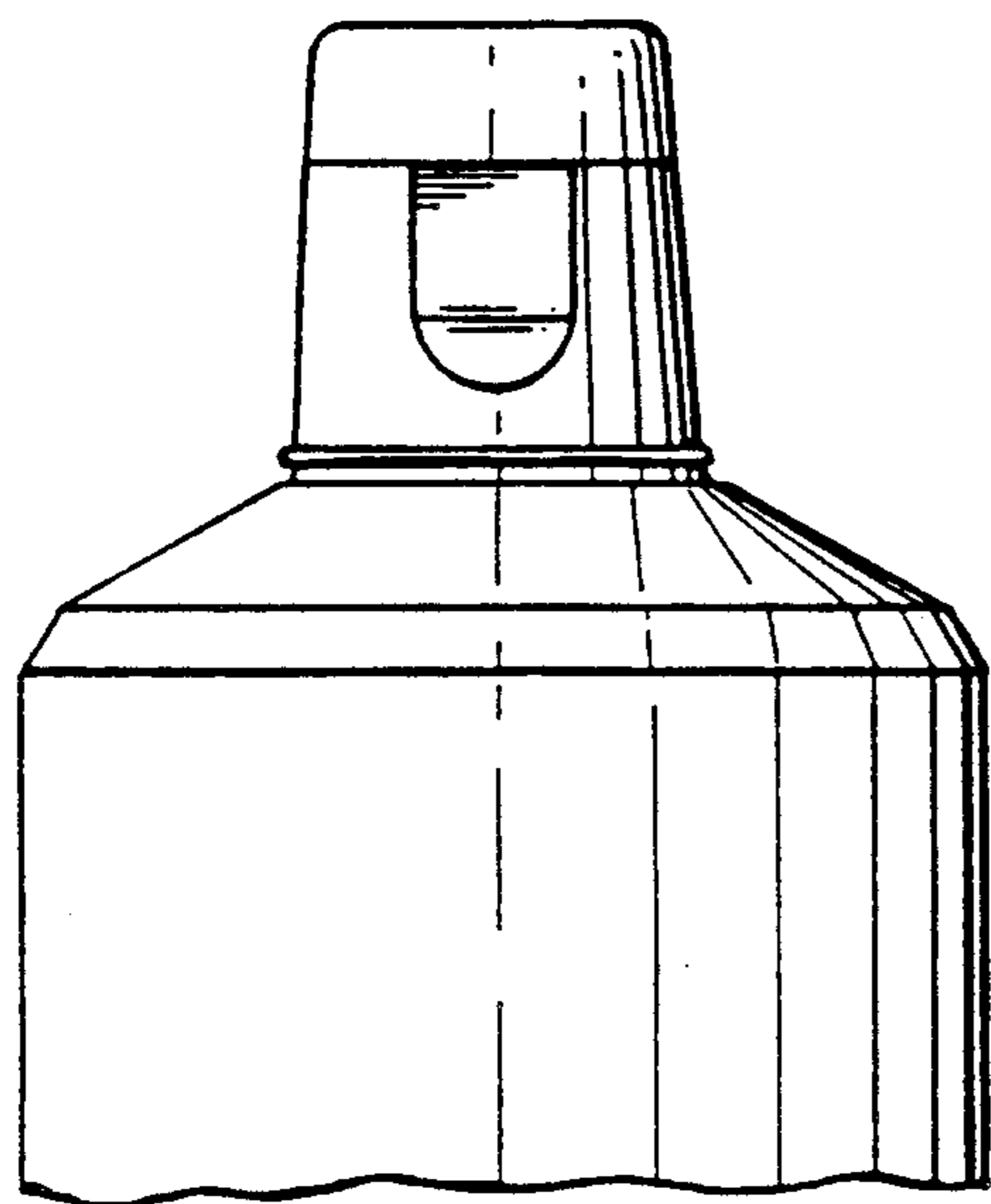


FIG. 1.

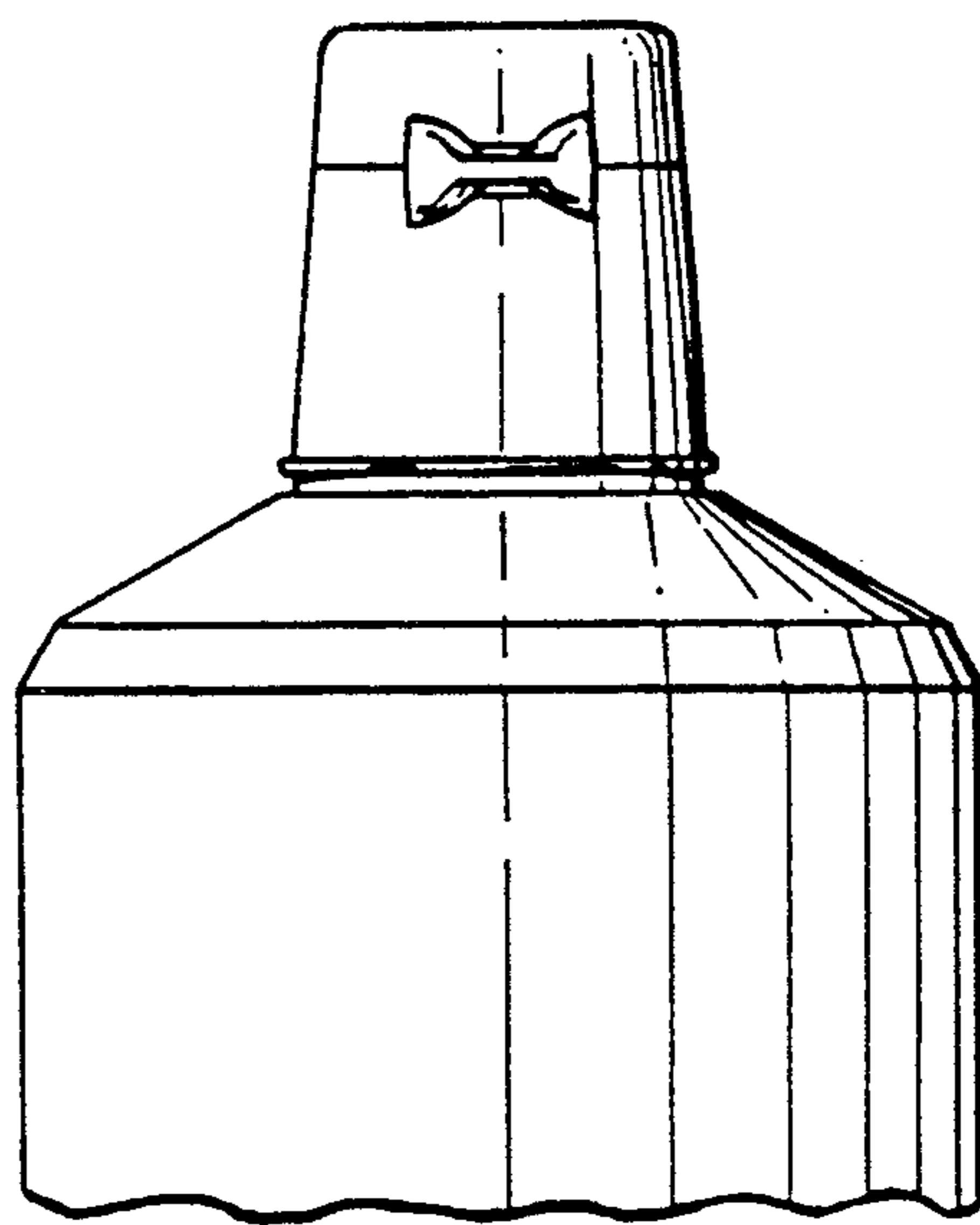


FIG. 2.

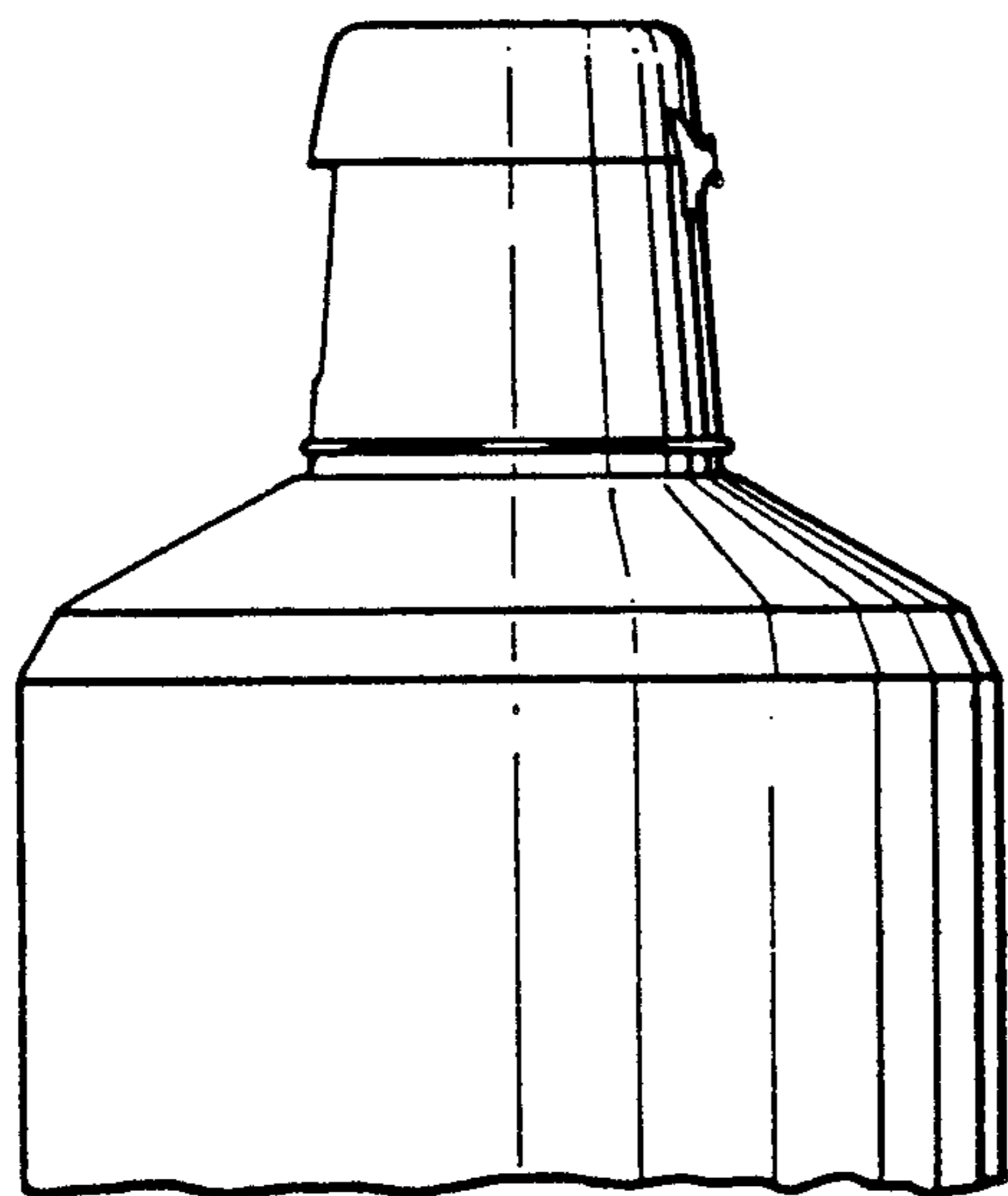


FIG. 3.

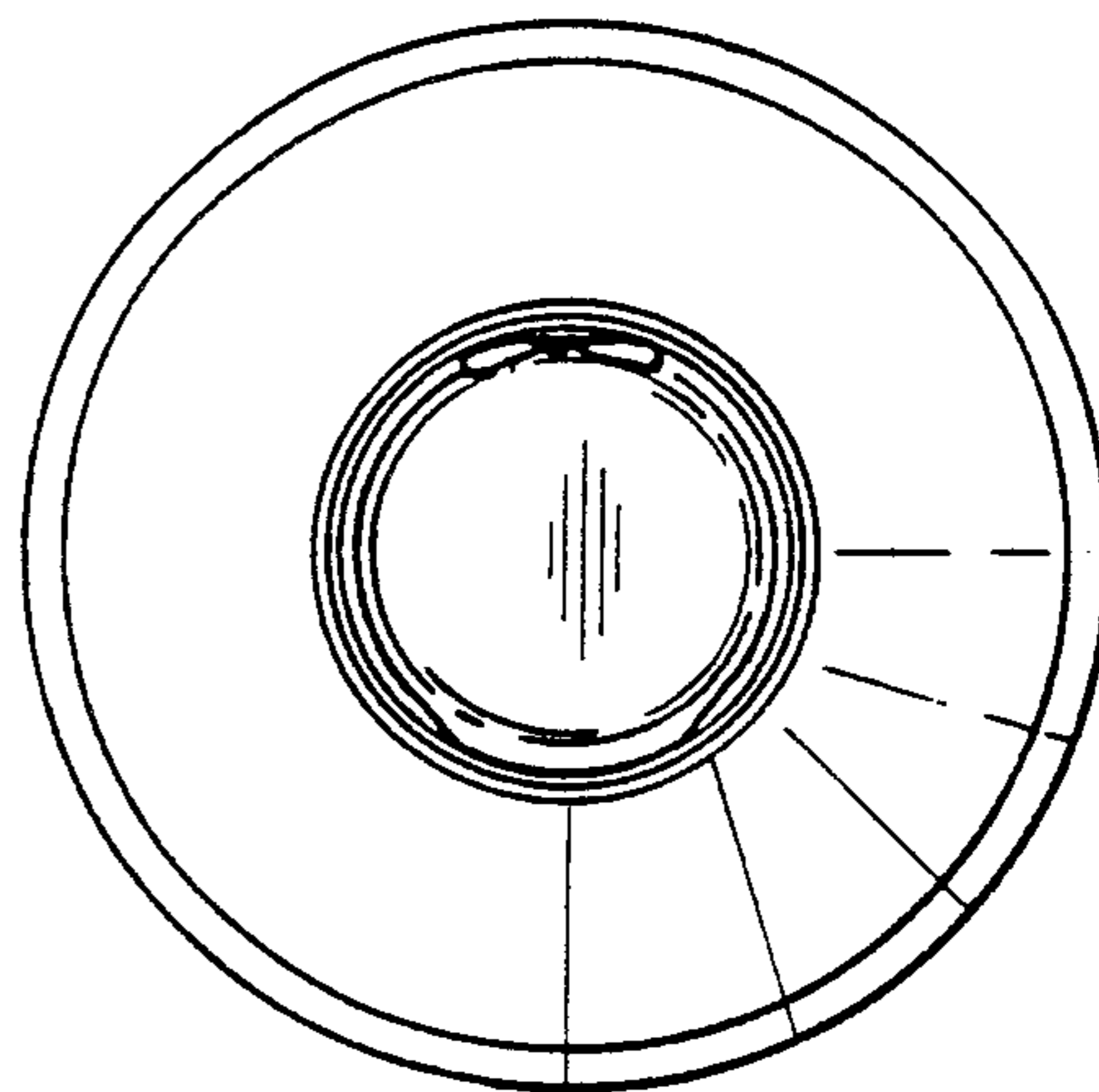


FIG. 4.

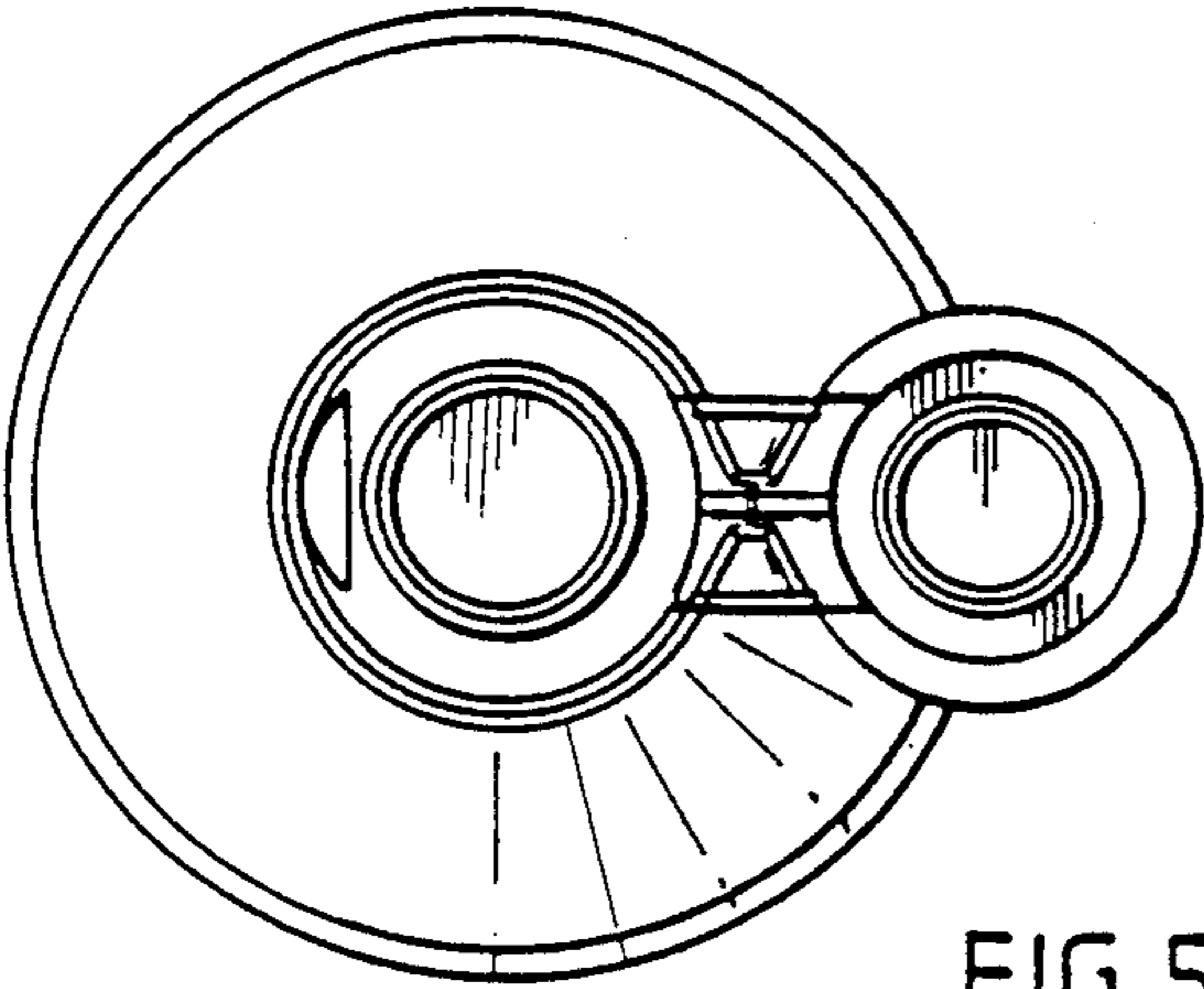


FIG. 5.

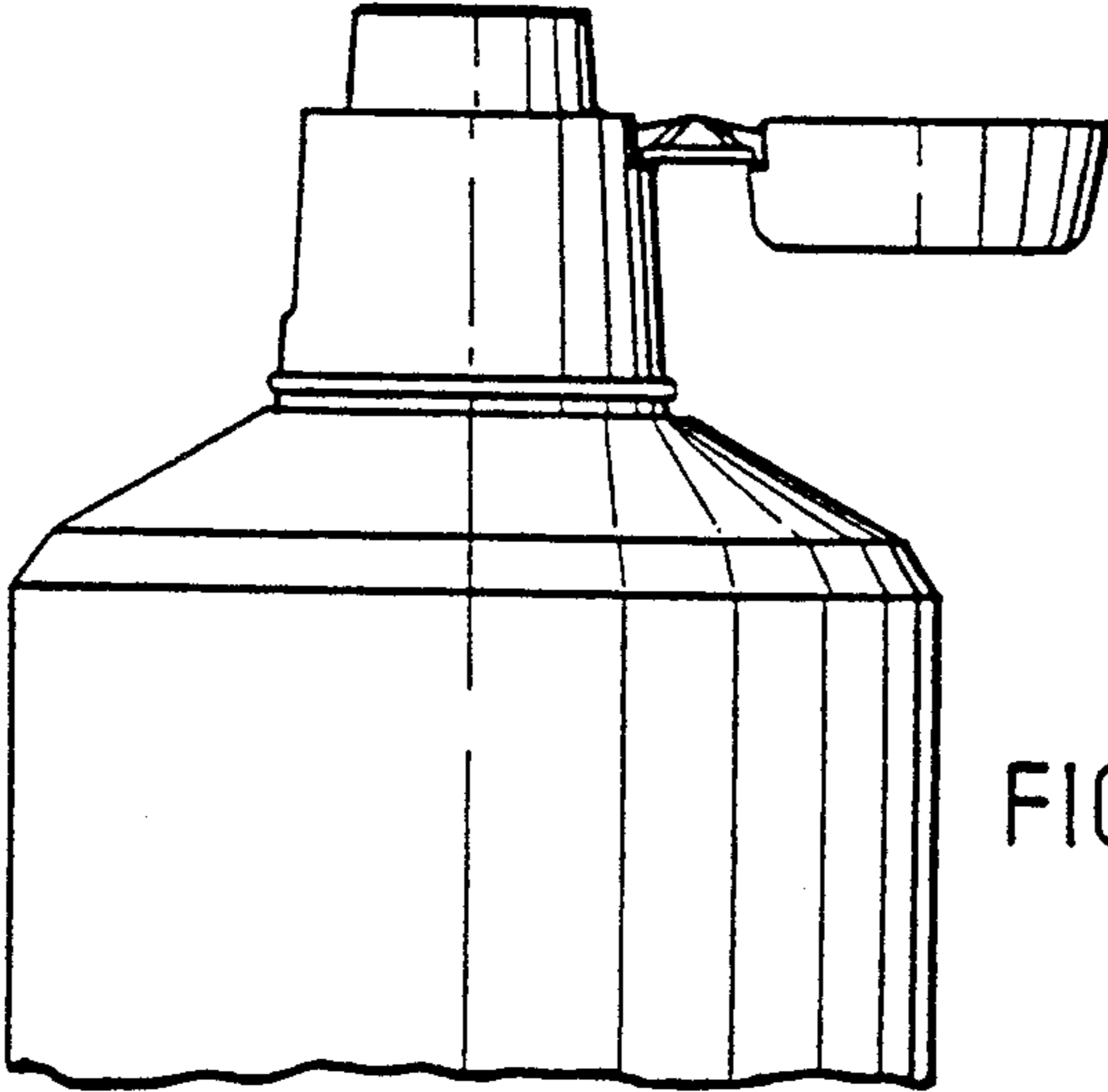


FIG. 6.

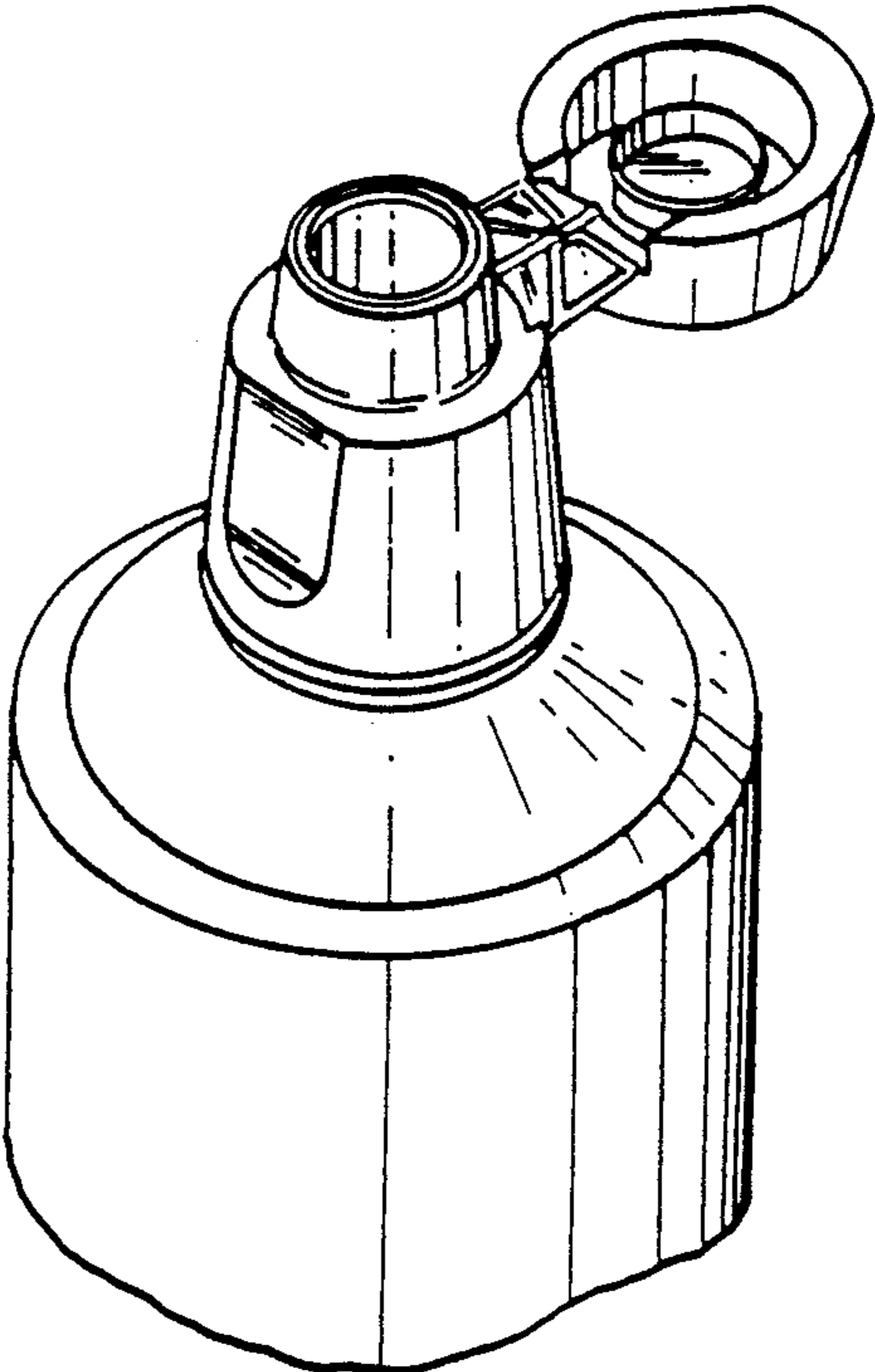


FIG. 7.

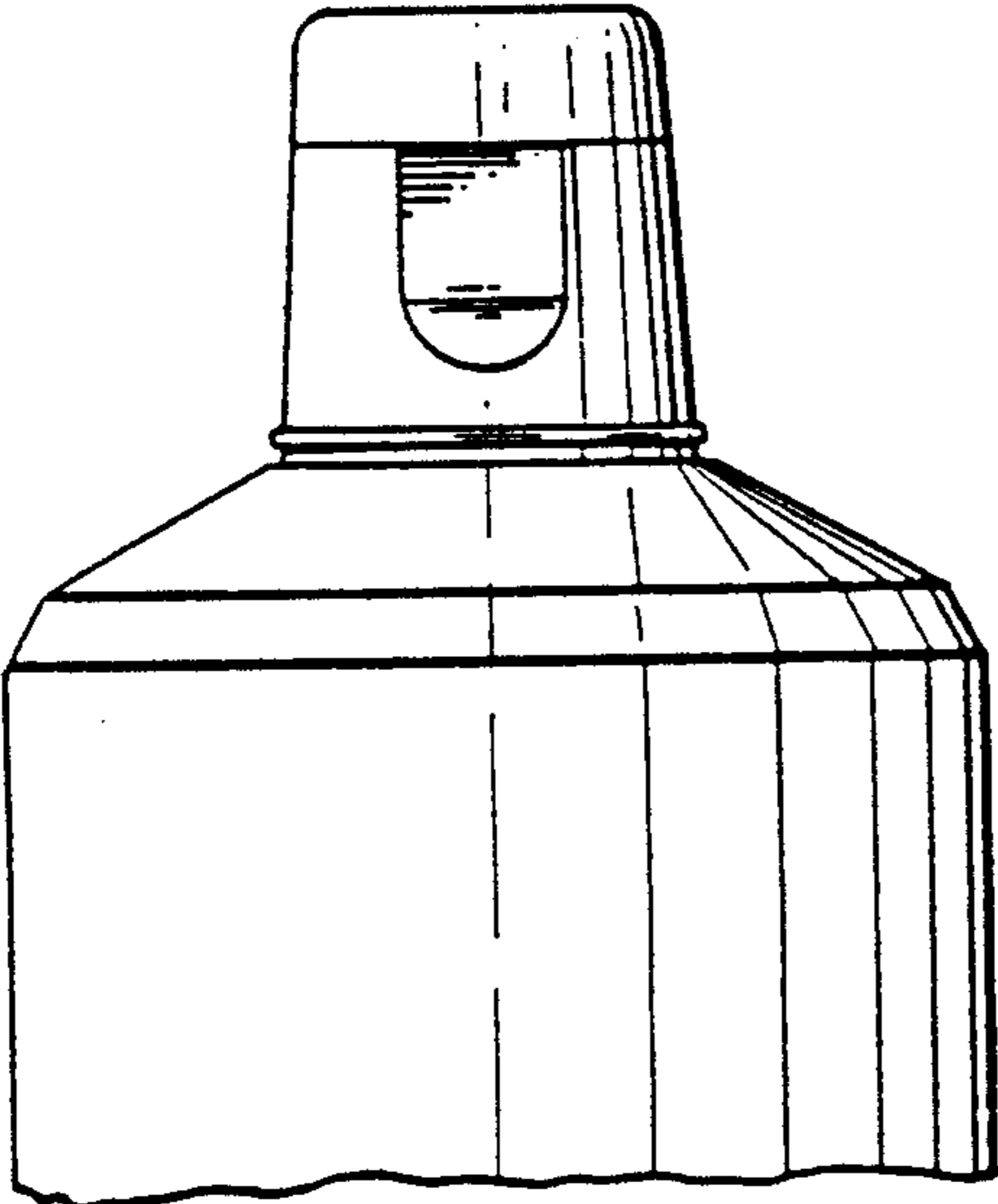


FIG. 8.

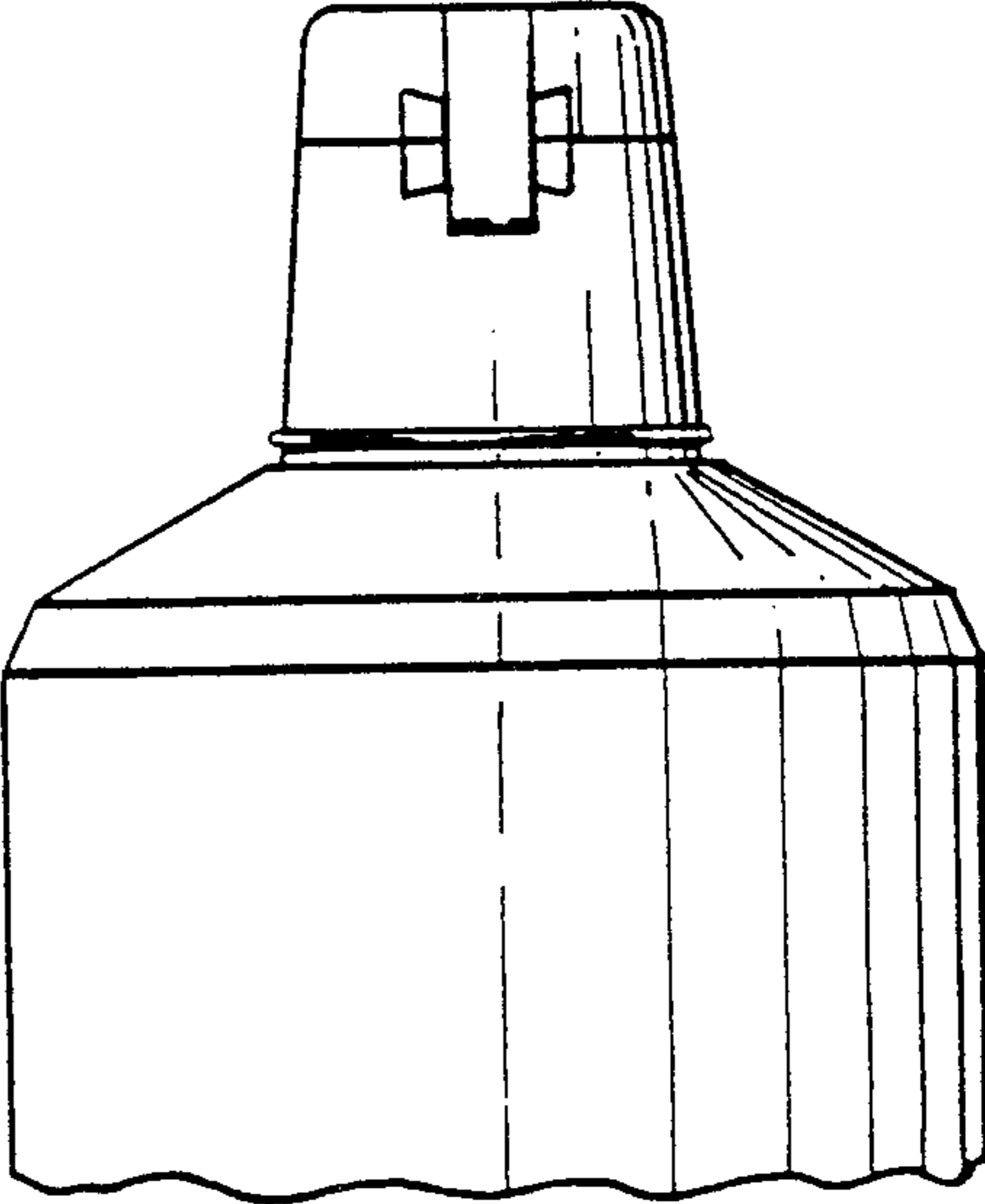


FIG. 9.

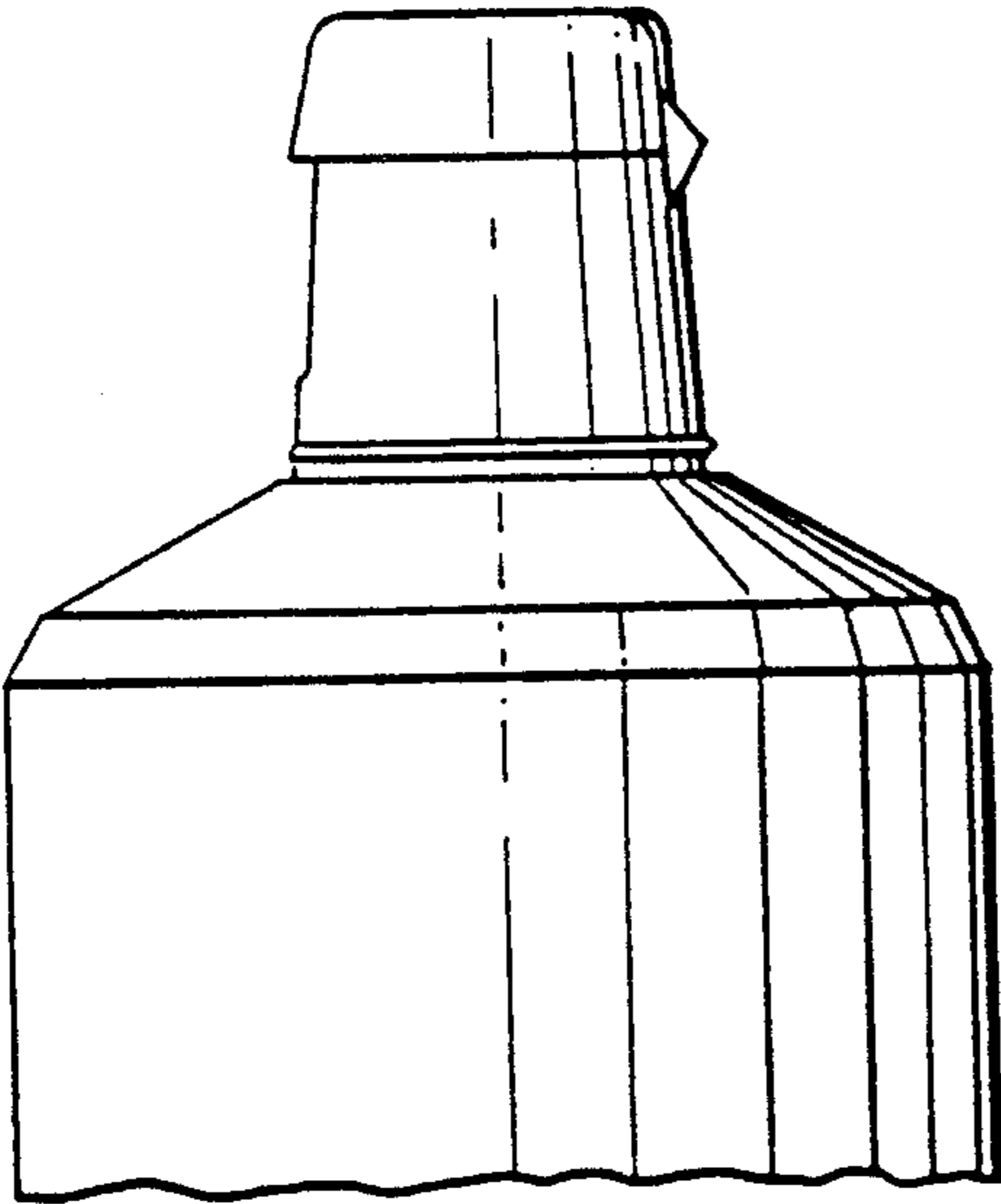


FIG. 10.

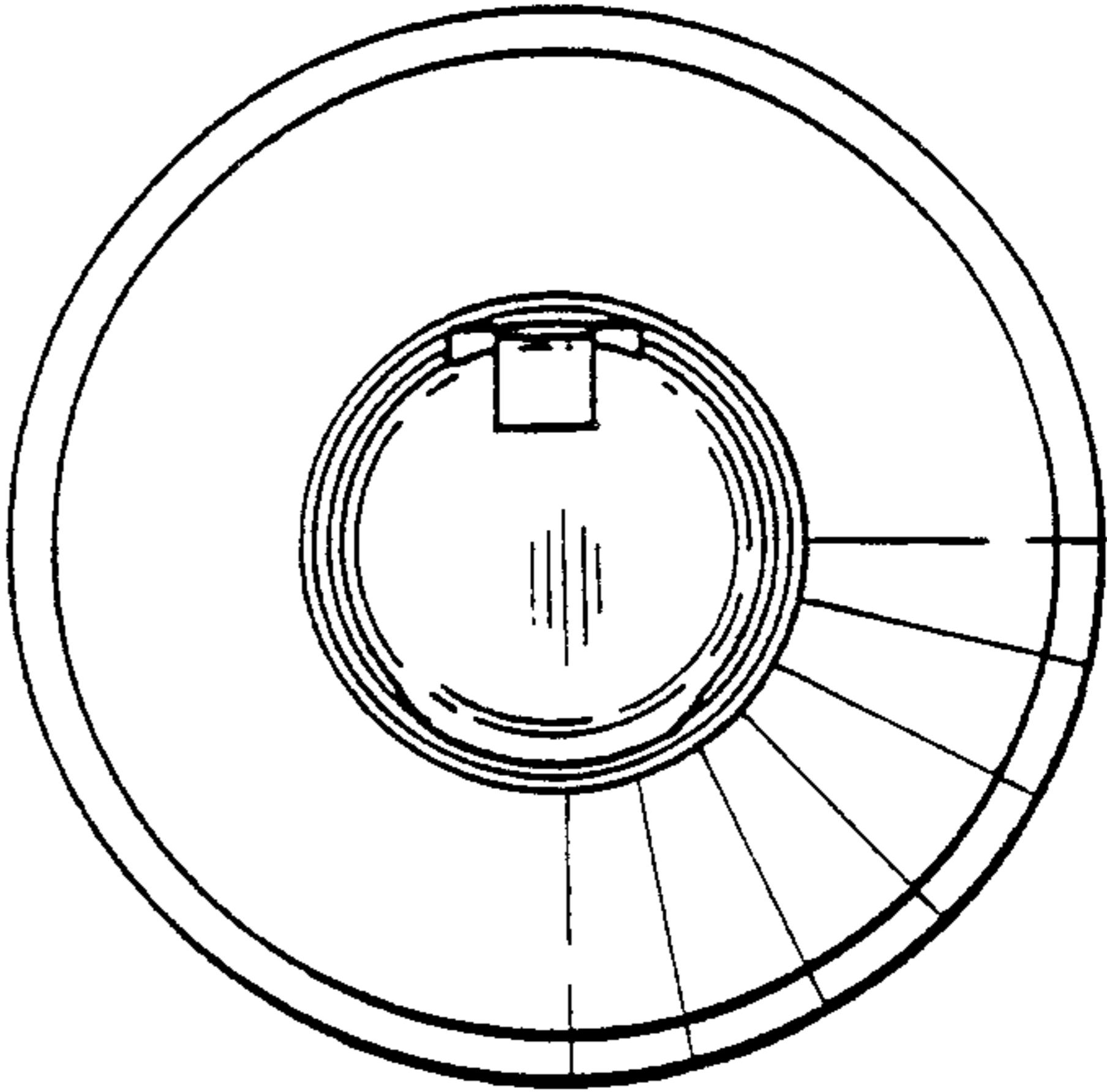


FIG. 11.

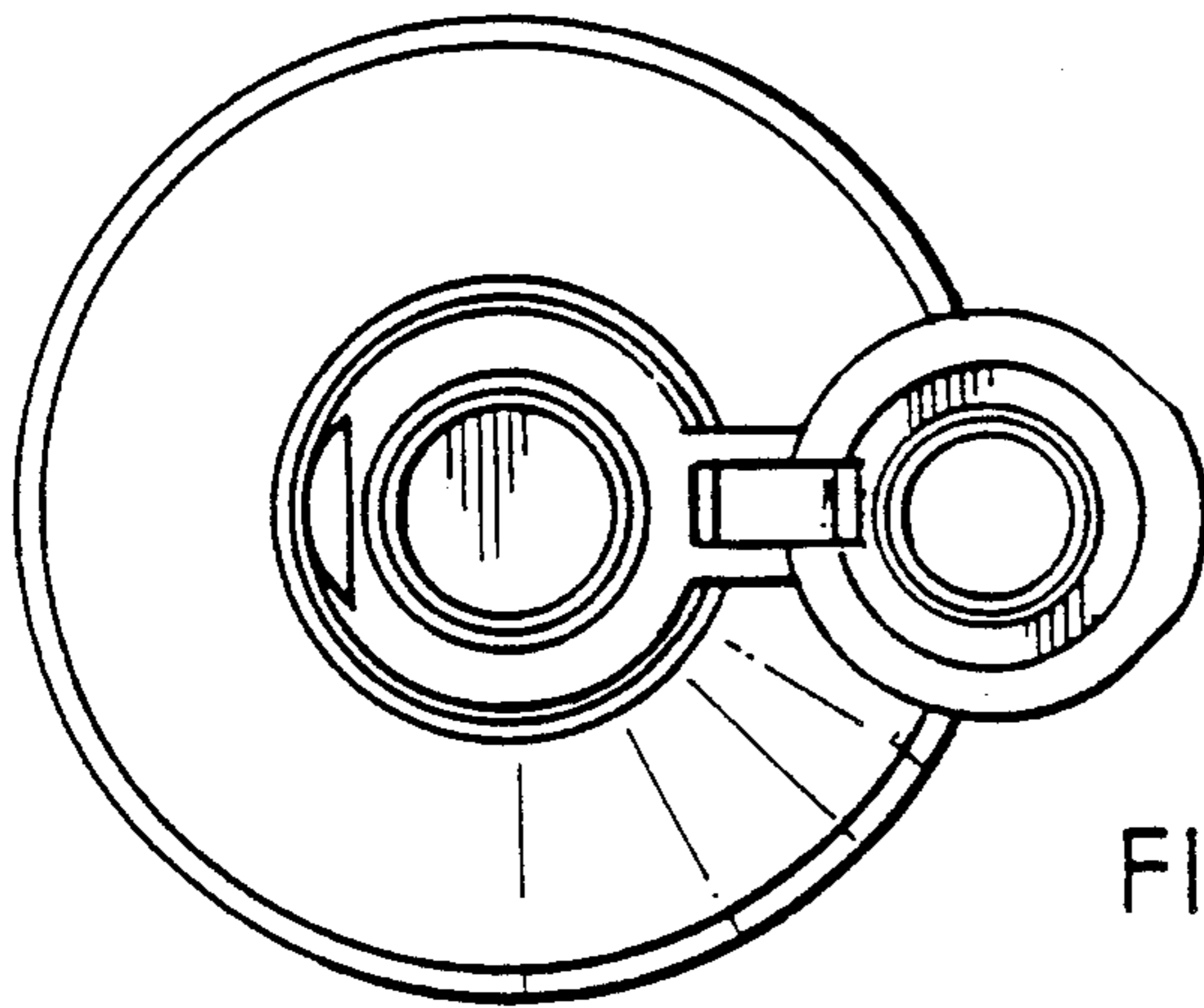


FIG.12.

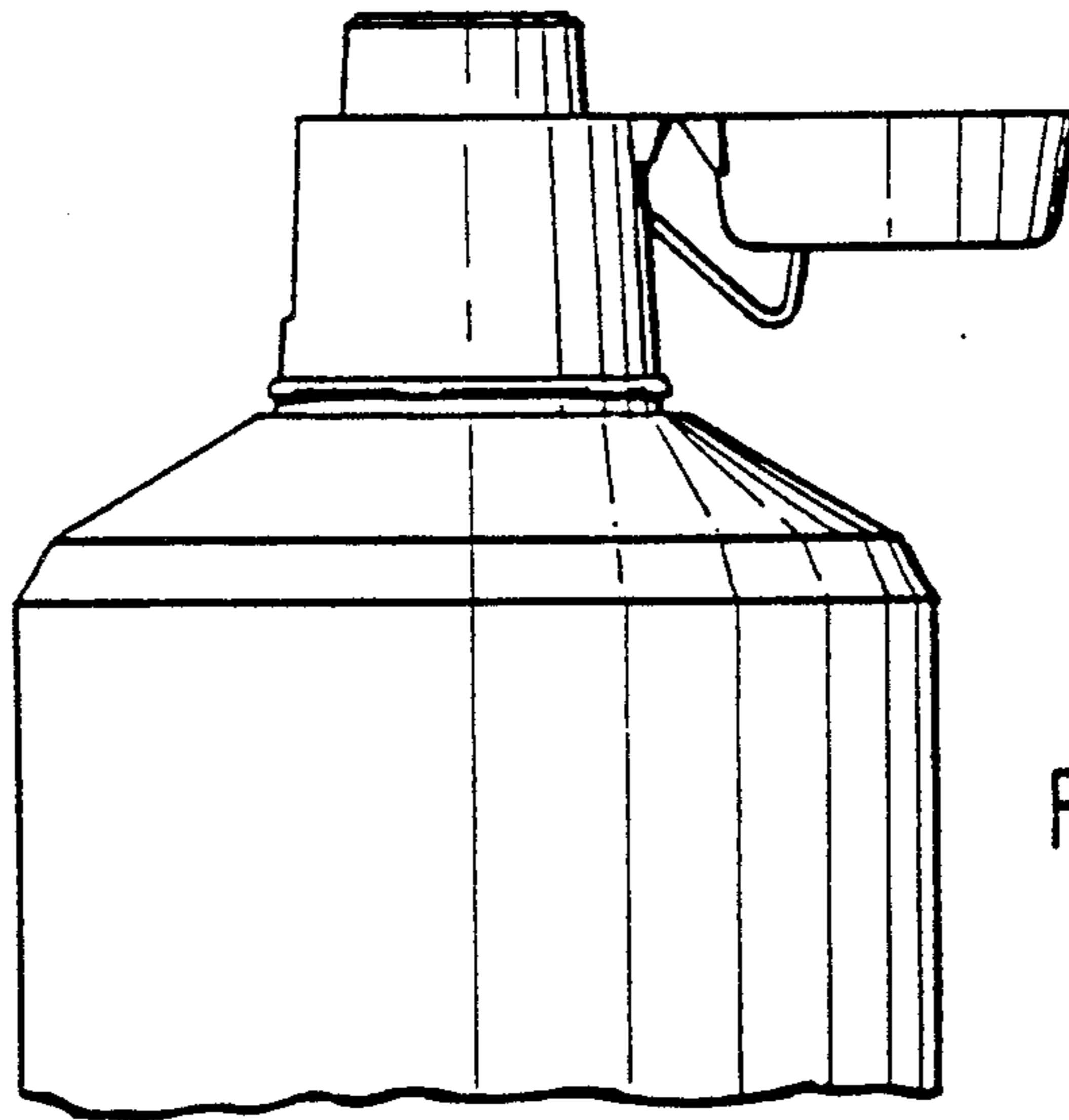


FIG.13.

FIG.14.

