

[54] CONTAINER FOR FILM SPOOL

[75] Inventor: Christopher Scholz, New York, N.Y.

[73] Assignee: Light & Shadow, Inc., Los Angeles, Calif.

[**] Term: 14 Years

[21] Appl. No.: 156,197

[22] Filed: Feb. 16, 1988

[52] U.S. Cl. D9/420

[58] Field of Search D9/420, 421, 422, 423, D9/424, 337; 220/23, 326, 334, 338, 344; 206/578, 389, 214, 225, 224, 371, 508, 581

4,524,871 6/1985 Klinger 206/581 X
 4,802,605 2/1989 Salmon et al. 220/338
 4,819,794 4/1989 Silverstein et al. 220/23 X
 4,822,965 4/1989 Hyogo et al. 220/338 X

Primary Examiner—Bernard Ansher
 Assistant Examiner—Prabhakar Deshmukh
 Attorney, Agent, or Firm—Burgess, Ryan & Wayne

[57] CLAIM

The ornamental design for a container for film spool, as shown and described.

DESCRIPTION

FIG. 1 is a perspective view of a container for film spool showing my new design;
 FIG. 2 is a top plan view thereof;
 FIG. 3 is a bottom plan view thereof;
 FIG. 4 is a front elevation thereof, with a strap attached;
 FIG. 5 is a rear elevation thereof;
 FIG. 6 is a right side elevation thereof, the left side elevation being a mirror image thereof;
 FIG. 7 is a perspective view thereof, in open position; and
 FIG. 8 is a top plan view of FIG. 7.

[56] References Cited

U.S. PATENT DOCUMENTS

D. 255,038	5/1980	Itakura	D9/423 X
49,617	8/1865	Fletcher	206/371 X
1,817,310	8/1931	Hauch	220/334
2,465,752	3/1949	Rodbell	220/23 X
2,960,254	11/1960	Kiba	220/338
3,360,116	12/1967	Somers et al.	220/334 X
4,235,338	11/1980	Dugan et al.	206/508 X

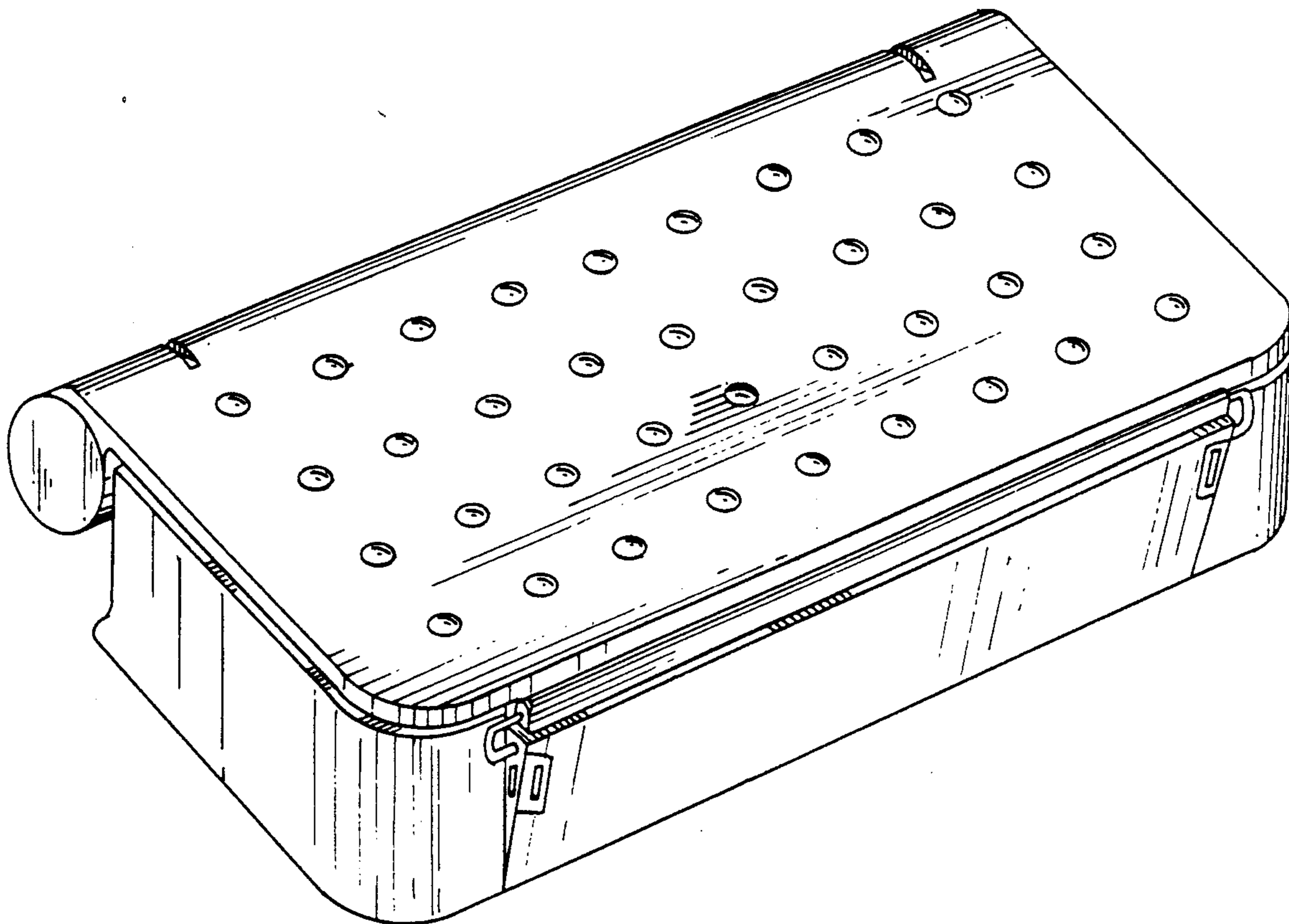


FIG. 1

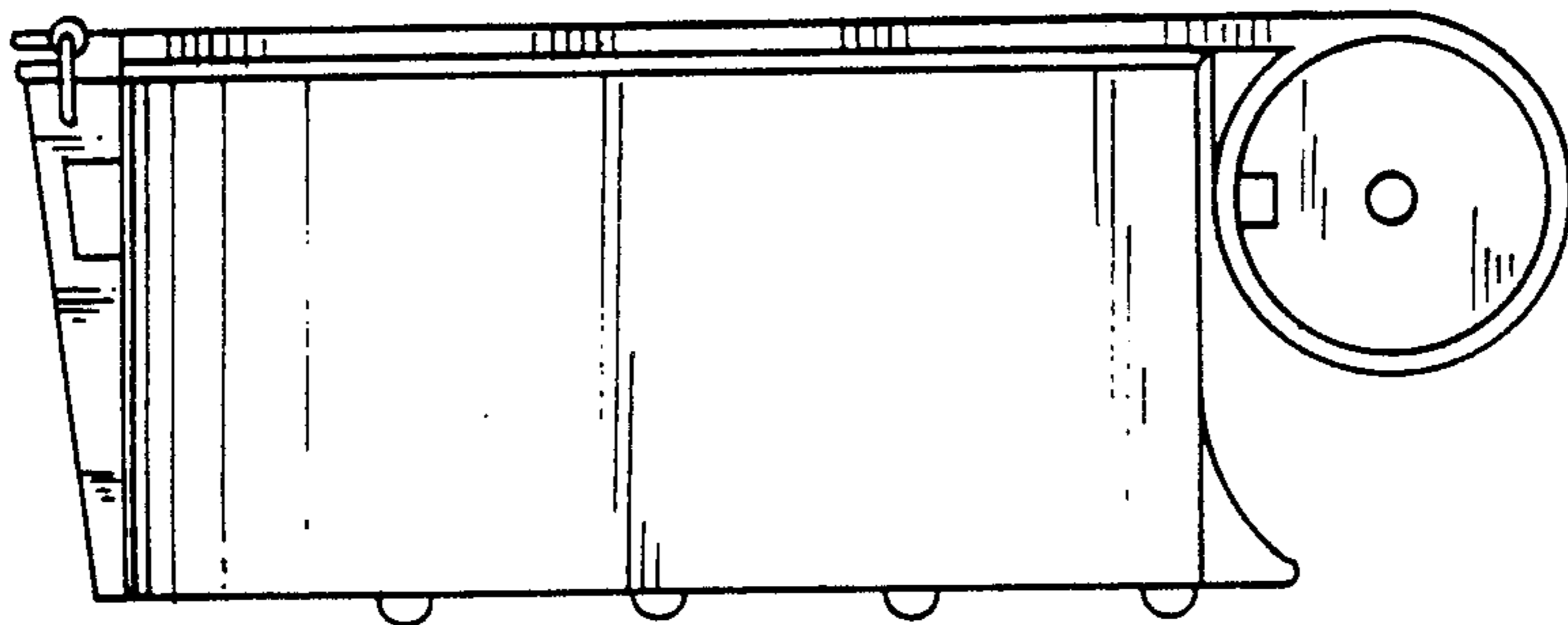
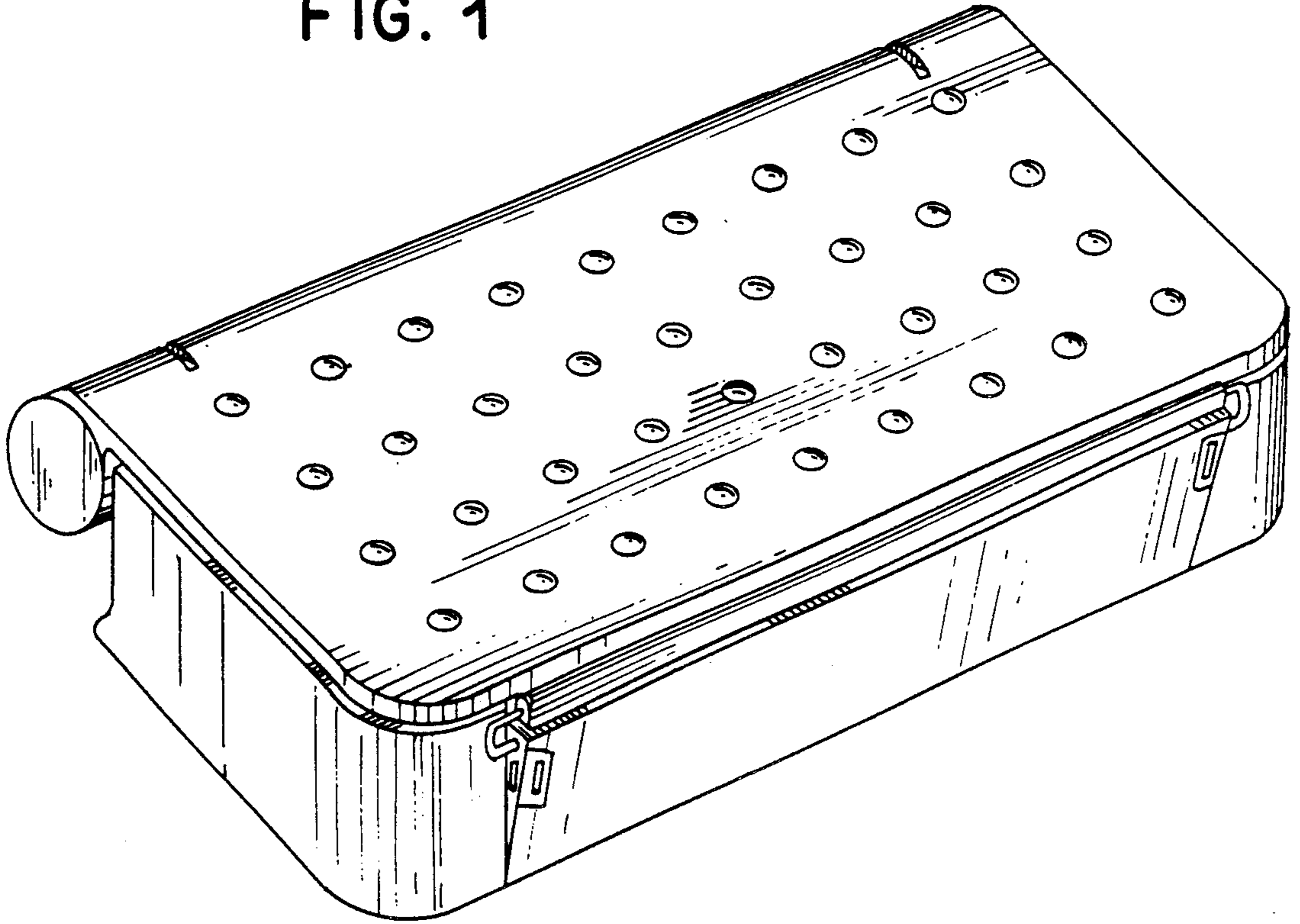


FIG. 6

FIG. 2

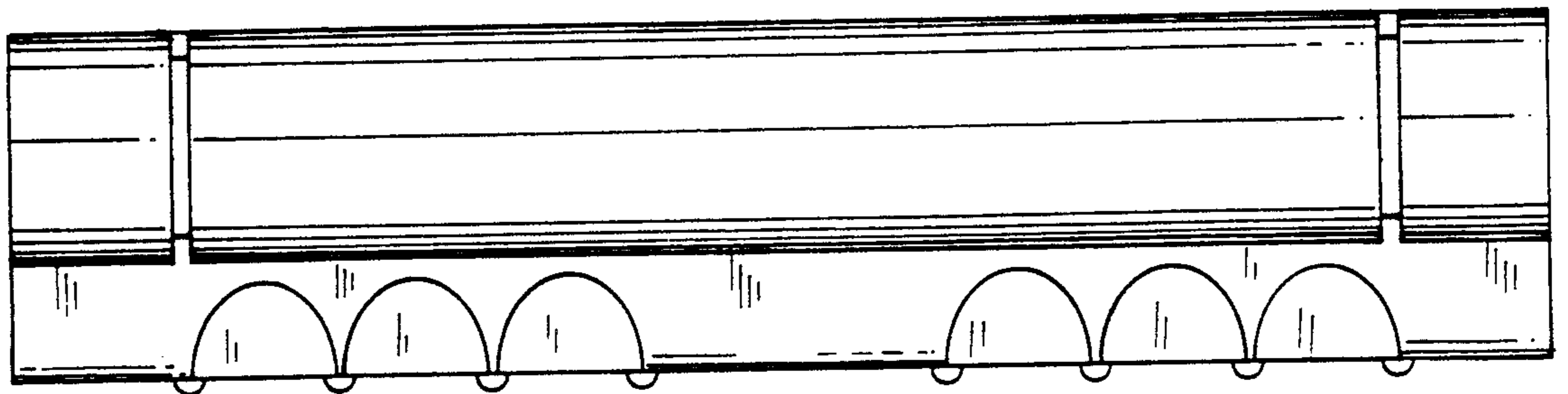
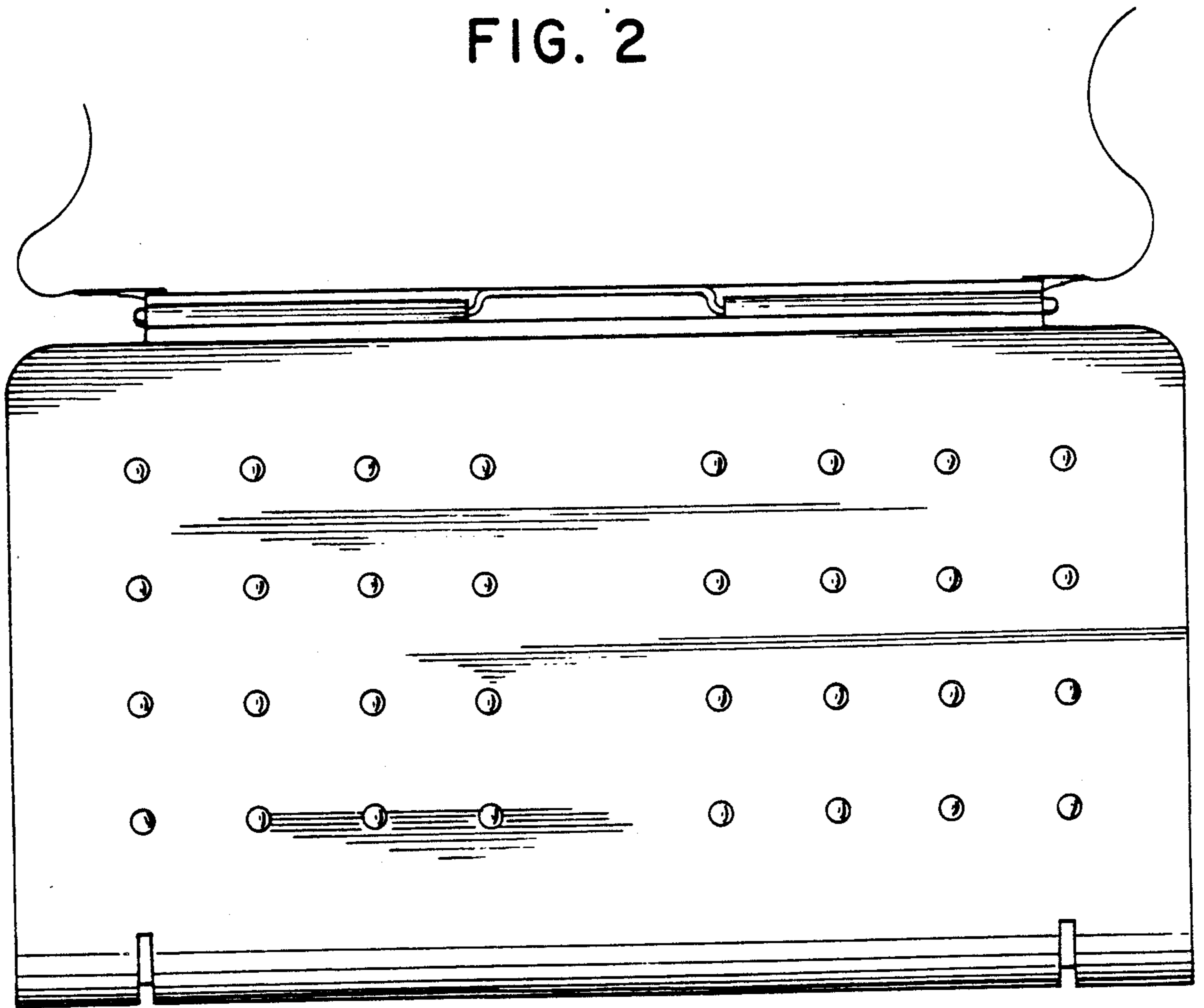


FIG. 5

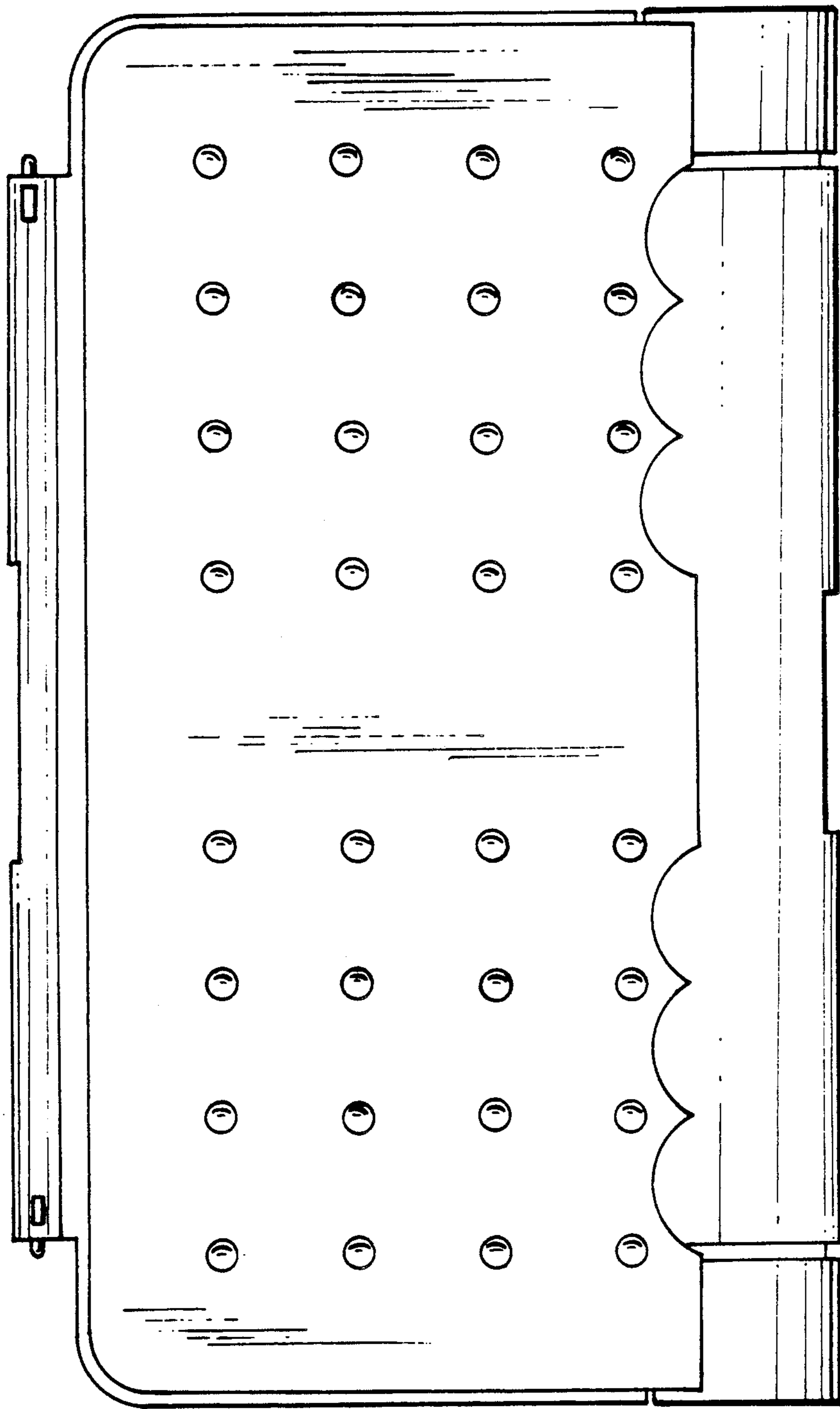


FIG. 3

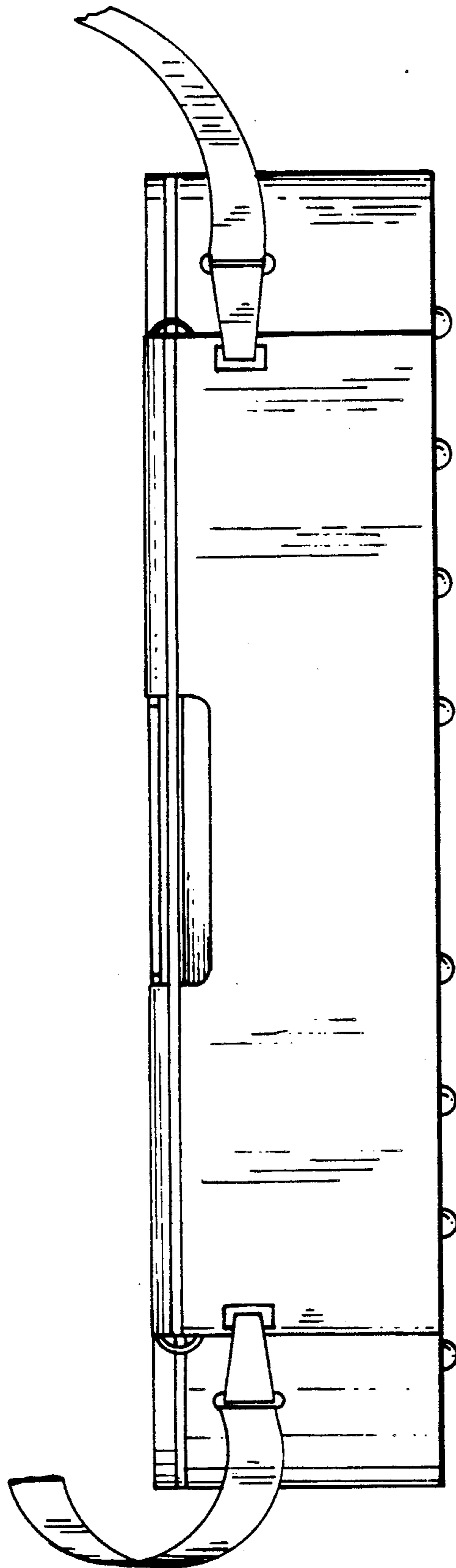
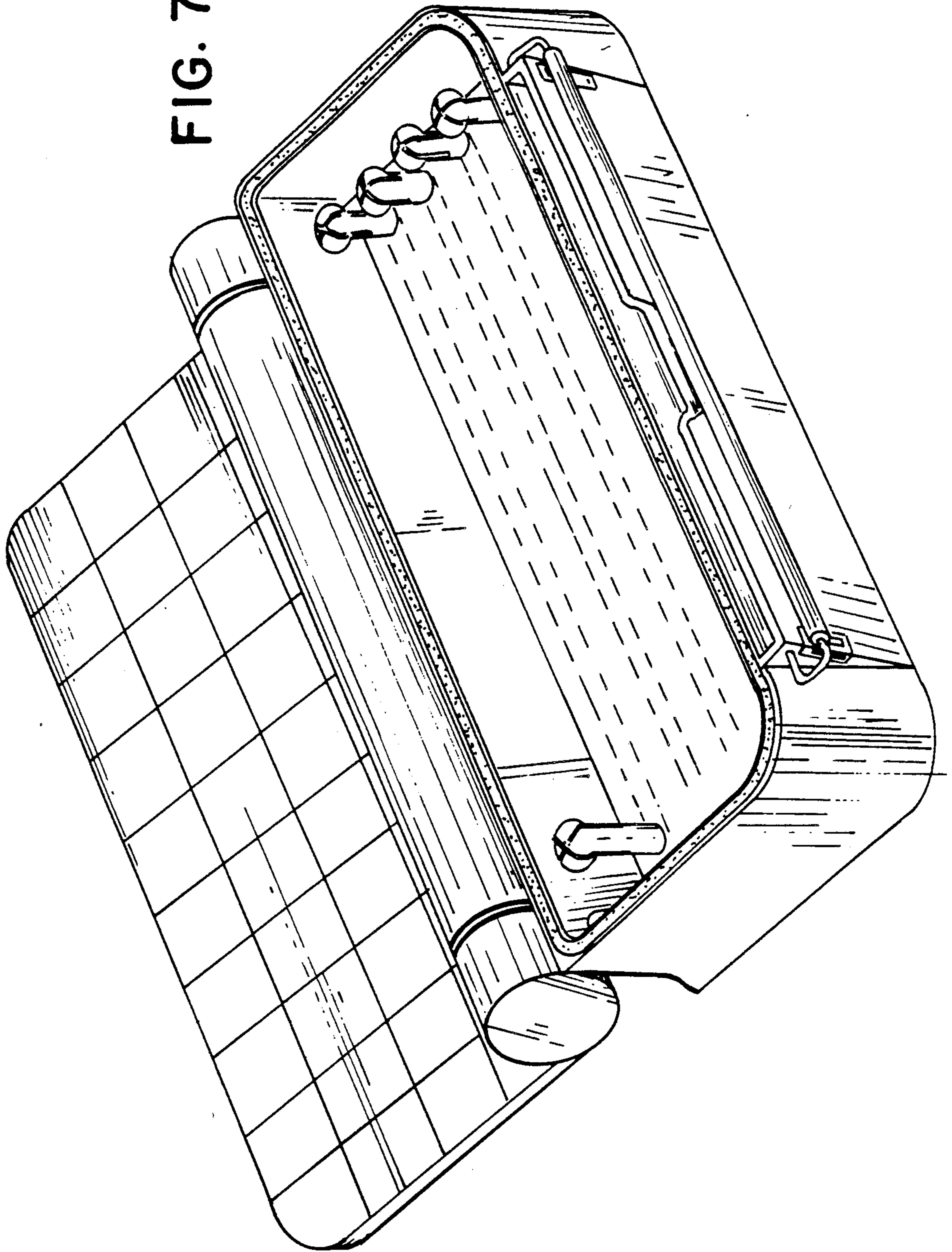


FIG. 4

FIG. 7



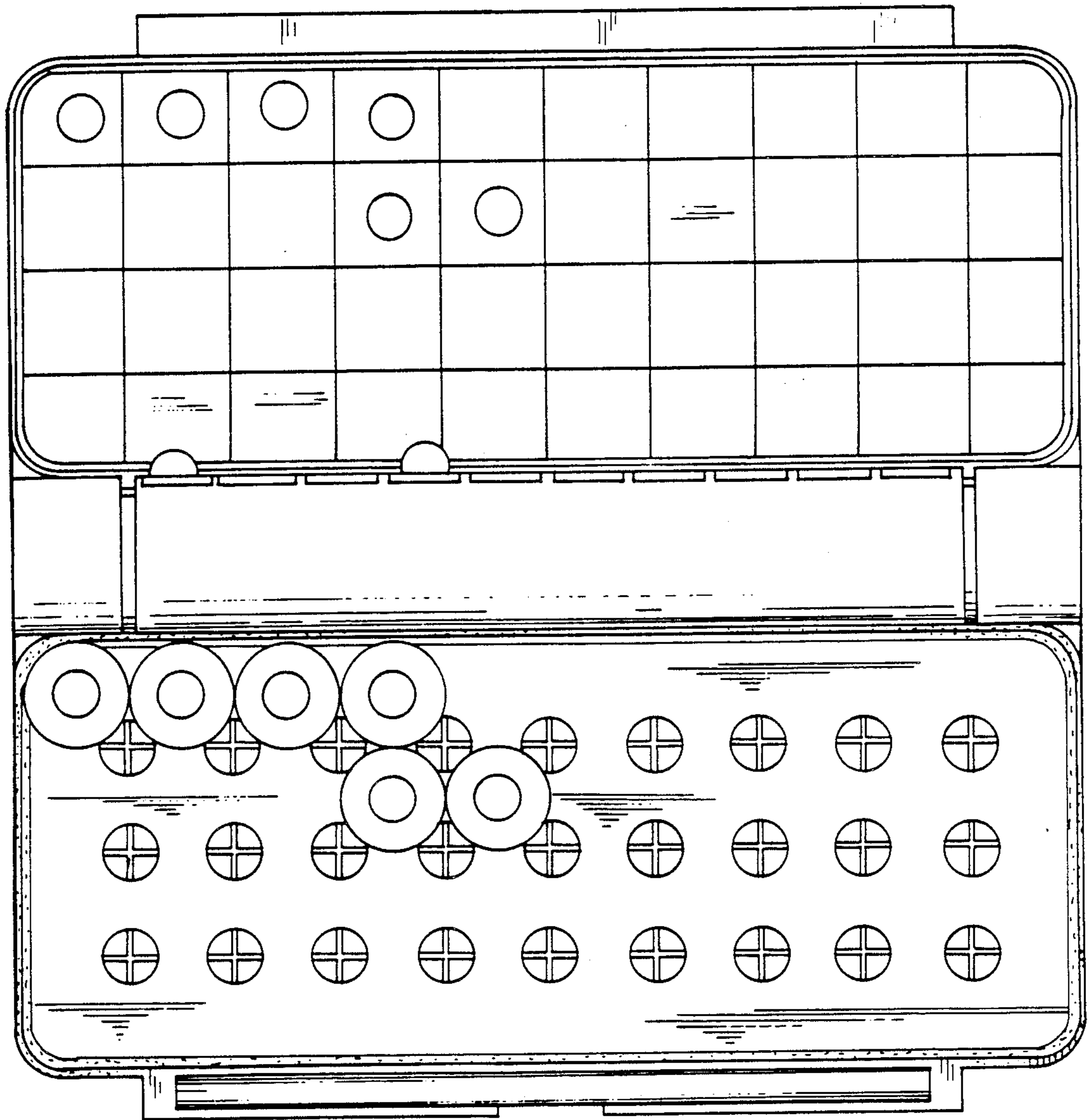


FIG. 8