

[54] CONTAINER FOR TORTE OR THE LIKE

[76] Inventor: Walter Niemetz, 5322 Hoff, Gitzen 57, Austria

[**] Term: 14 Years

[21] Appl. No.: 136,321

[22] Filed: Dec. 22, 1987

[30] Foreign Application Priority Data

Jun. 22, 1987 [AT] Austria 18551

[52] U.S. Cl. D9/418

[58] Field of Search D9/418, 420, 424, 425, D9/430; 229/115, 902, 904, 906; 206/45.32, 627, 628, 634, 633, 557, 551

[56] References Cited

U.S. PATENT DOCUMENTS

- 3,259,235 7/1966 Sowle 206/627
- 3,620,411 11/1971 Rump 206/551
- 4,313,542 2/1982 Roberts et al. 206/551 X
- 4,339,041 7/1982 Roberts et al. 206/45.33

- 4,373,636 2/1983 Hoffman 206/551
- 4,413,725 11/1983 Bruno et al. 206/627
- 4,784,273 11/1988 Niemetz 206/551 X

FOREIGN PATENT DOCUMENTS

- 2140732 8/1971 Fed. Rep. of Germany .
- 1457578 9/1966 France 206/551
- 0652370 11/1985 Switzerland 206/551

Primary Examiner—Bernard Ansher
Assistant Examiner—Prabhakar Deshmukh
Attorney, Agent, or Firm—Cushman, Darby & Cushman

[57] CLAIM

The ornamental design for a container for a torte or the like, as shown and described.

DESCRIPTION

FIG. 1 is a perspective view of a container for a torte or the like showing my new design; FIG. 2 is a left-side elevational view thereof (a right side elevation being a mirror image thereof); FIG. 3 is a bottom plan view thereof; and FIG. 4 is a rear elevational view thereof.

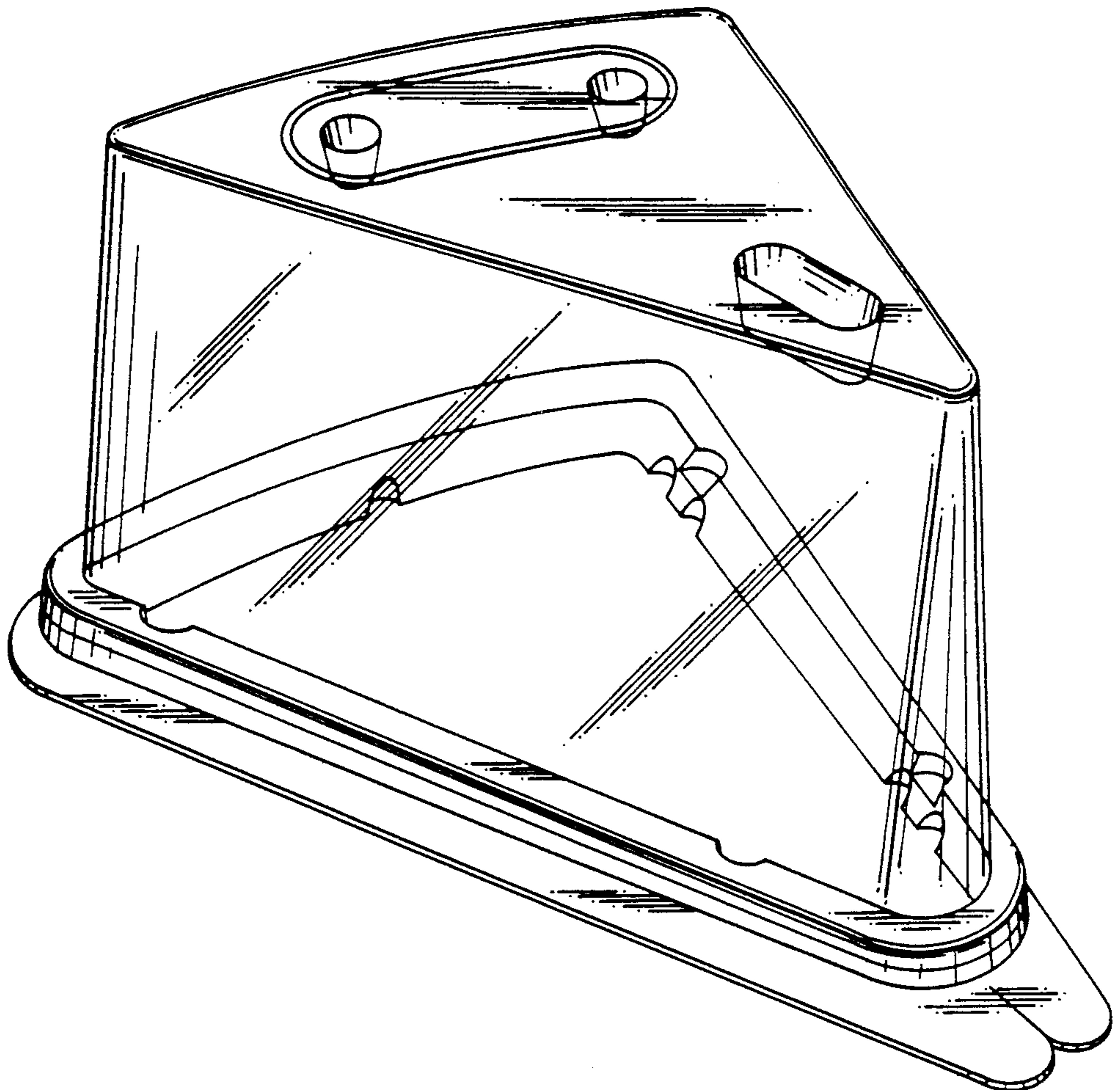


FIG. 1

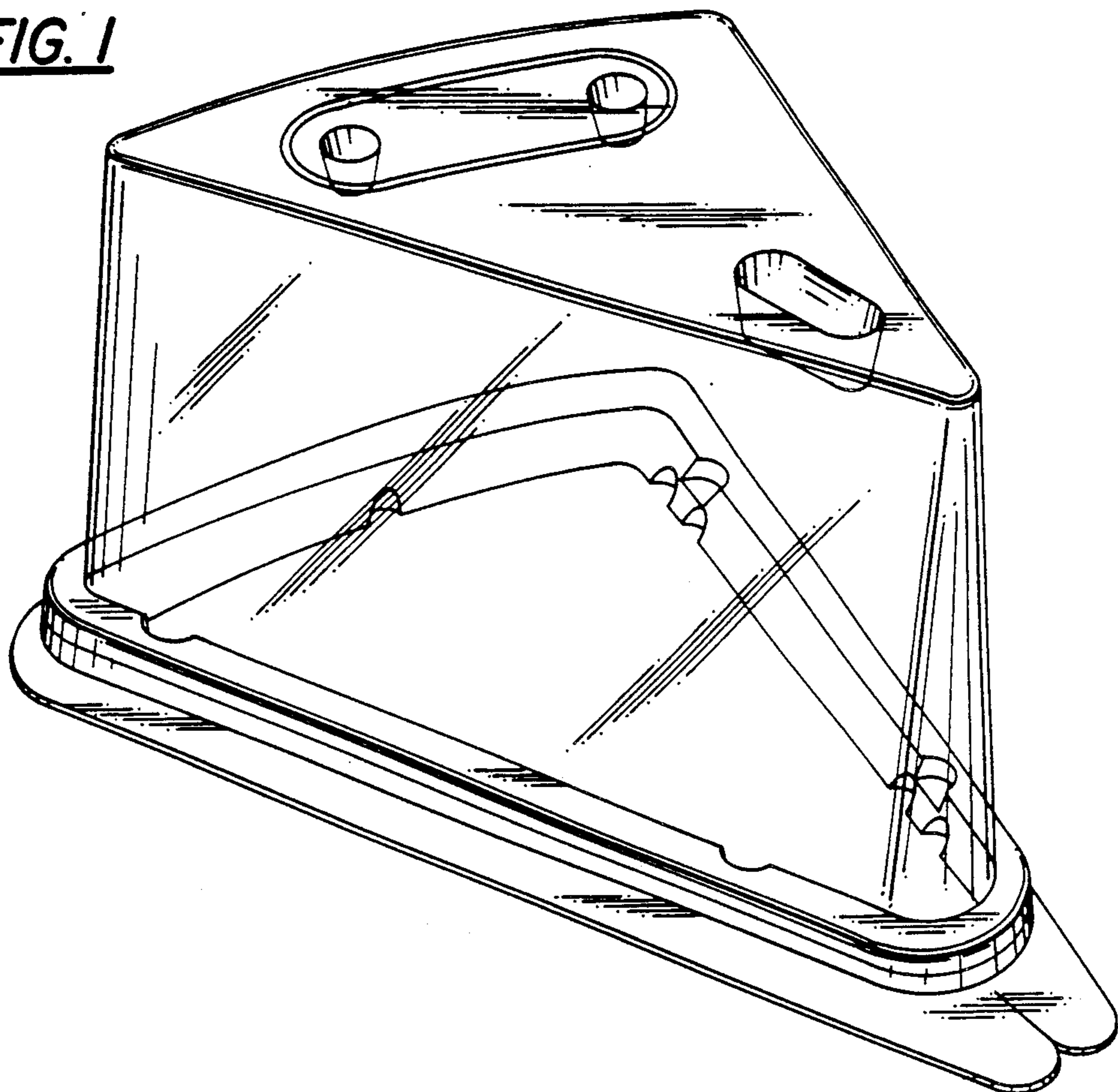


FIG. 2

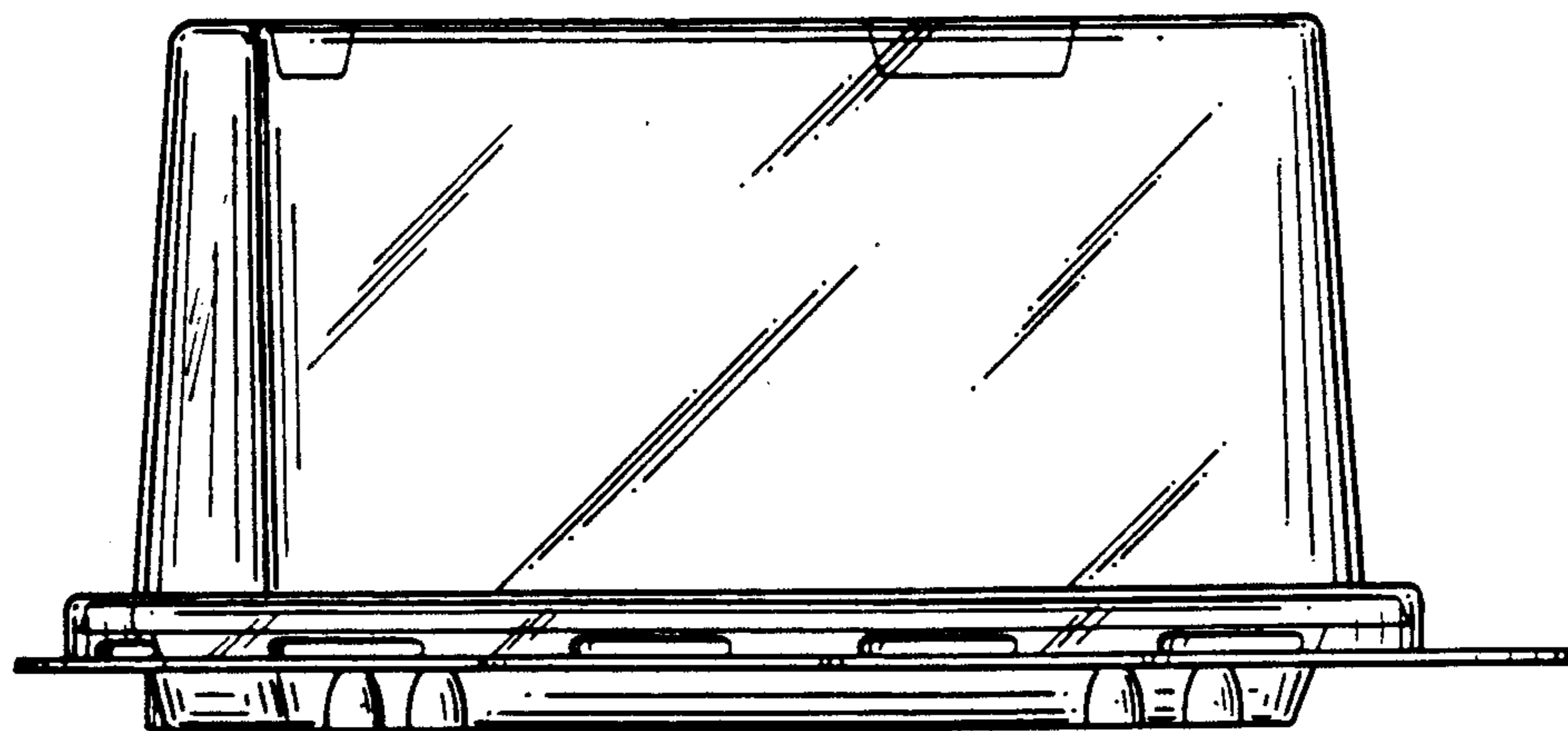


FIG. 3

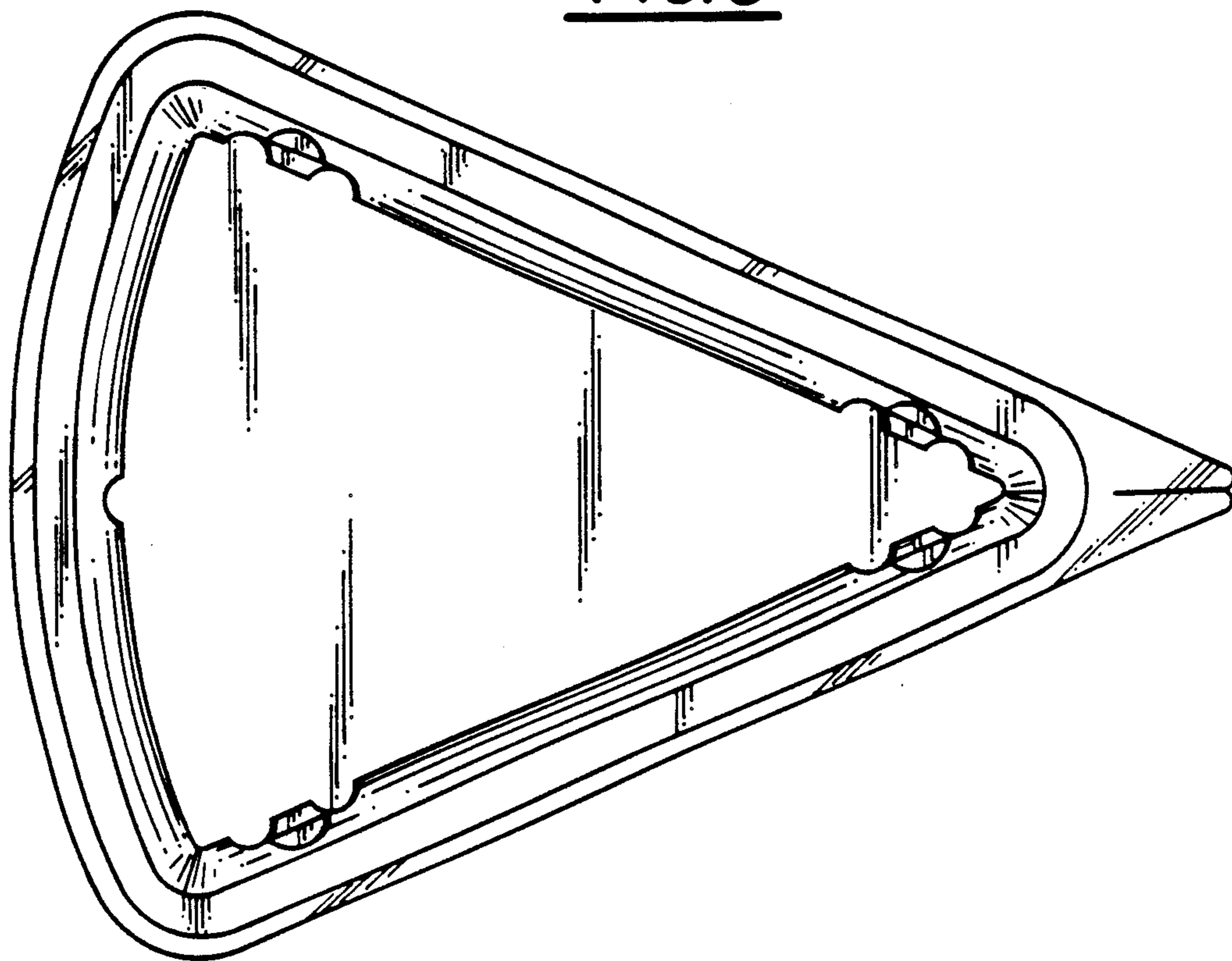


FIG. 4

