

[54] STRIP OF CONTAINERS

[75] Inventors: Robert E. Newell, Pinner; Michael D. Wilks, Aldershot, both of England

[73] Assignee: Glaxo Group Limited, London, England

[**] Term: 14 Years

[21] Appl. No.: 288,723

[22] Filed: Dec. 12, 1988

[30] Foreign Application Priority Data

Jun. 23, 1988 [GB] United Kingdom 1051745

[52] U.S. Cl. D9/344

[58] Field of Search D9/341-348, D9/337, 302; 206/528, 529, 534.1, 538, 820, 484, 820; 220/23.4, 23.83; 222/541, 107, 97; D24/51, 56, 63, 99

[56] References Cited

U.S. PATENT DOCUMENTS

D. 289,200	4/1987	Newell	D9/341 X
D. 309,097	7/1990	Price	D9/341
2,578,445	12/1951	Nicolle	206/538 X
3,862,684	1/1975	Schmitt	206/820 X
3,917,120	11/1975	Larenz et al.	222/541 X
4,456,123	6/1984	Russel	206/820 X
4,502,616	3/1985	Meierhoefer	222/541 X
4,512,475	4/1985	Federighi	206/820 X

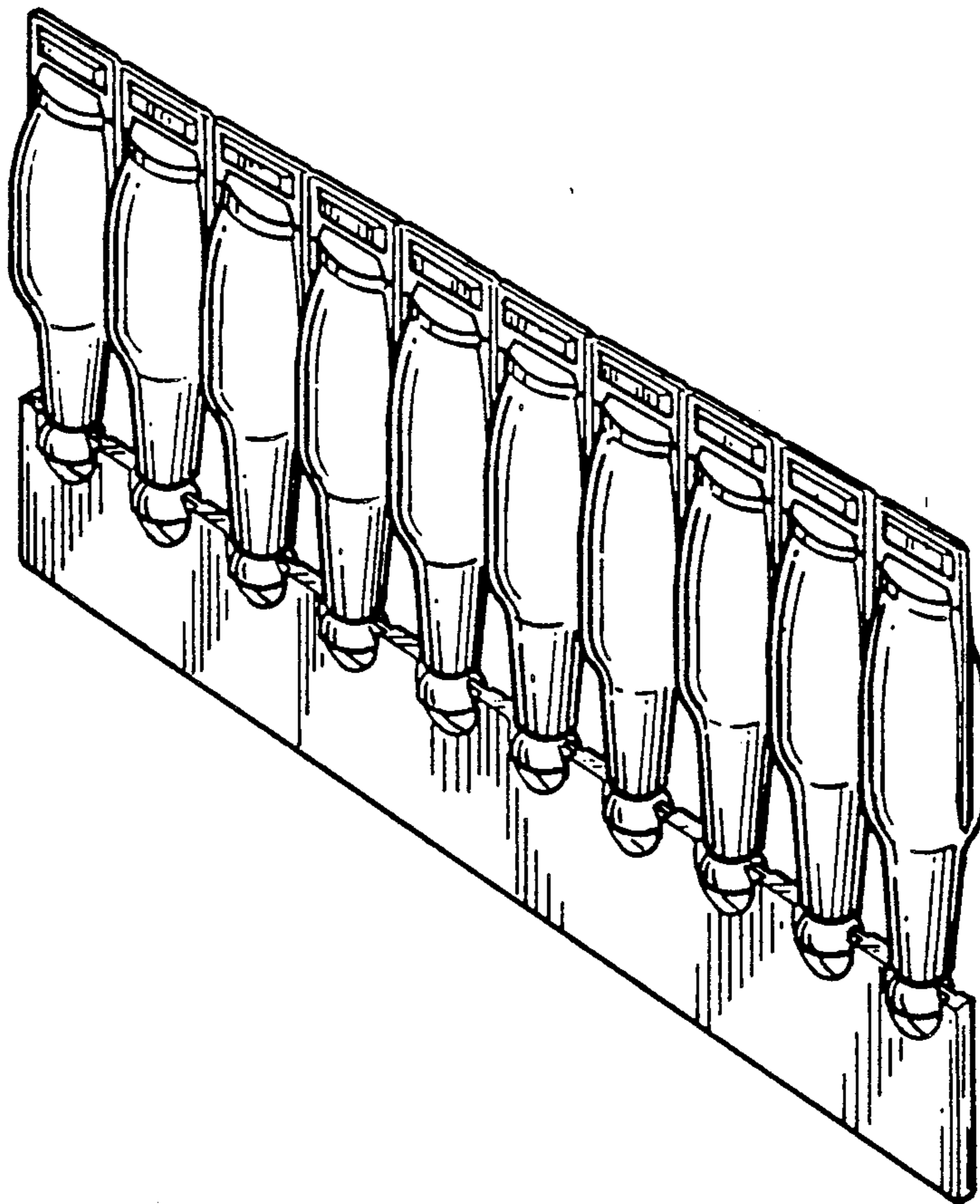
Primary Examiner—Bernard Ansher
Assistant Examiner—Prabhakar Deshmukh
Attorney, Agent, or Firm—Darby & Darby

[57] CLAIM

The ornamental design for a strip of containers, as shown and described.

DESCRIPTION

FIG. 1 is a front perspective view showing our new design;
FIG. 2 is a bottom plan view thereof;
FIG. 3 is a rear elevational view thereof;
FIG. 4 is a top plan view thereof; and
FIG. 5 is a right side view thereof, the left side view being identical thereto.



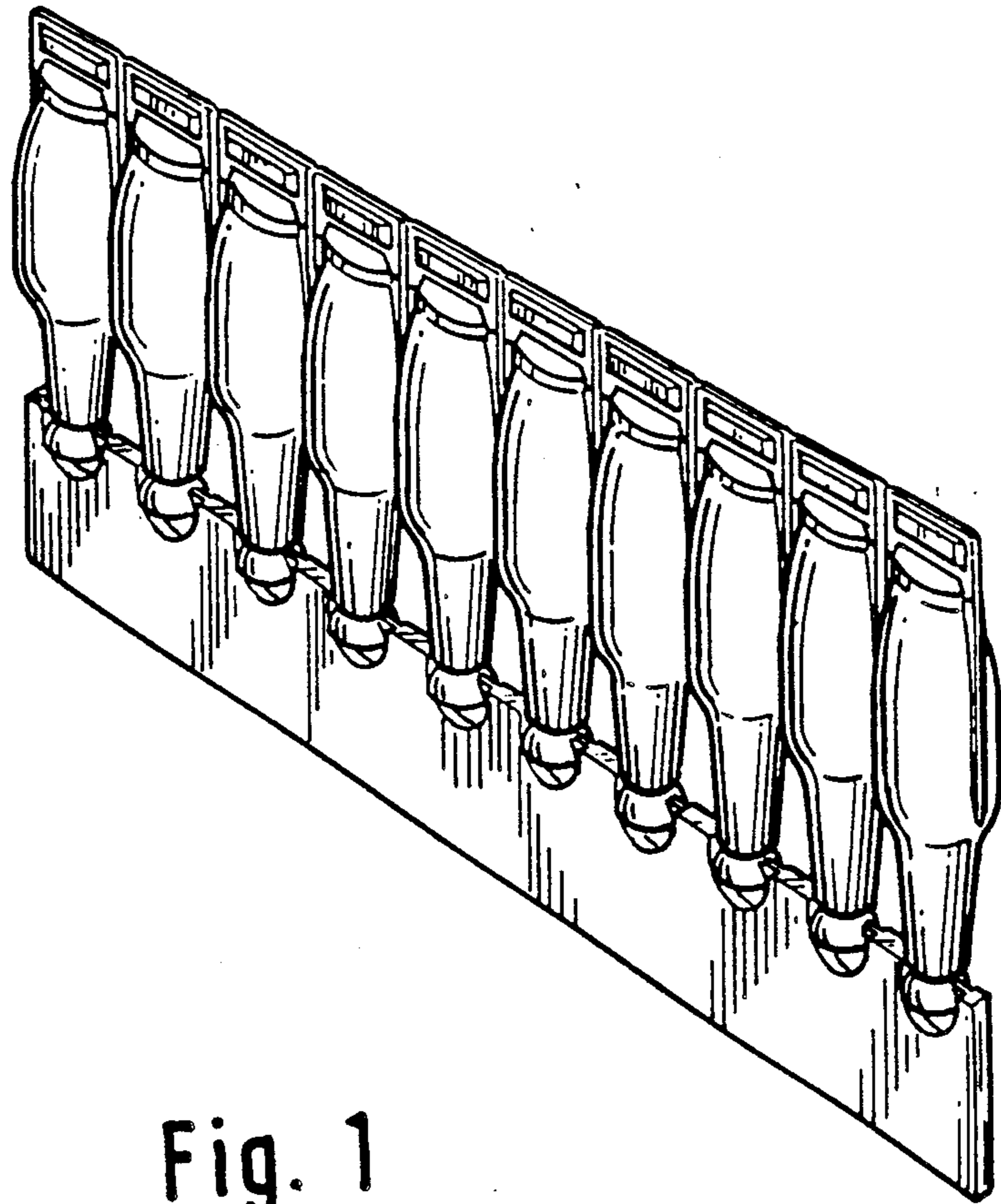


Fig. 1

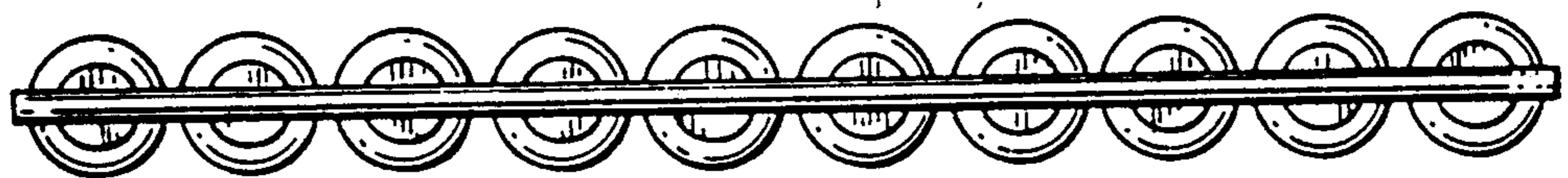


Fig. 2

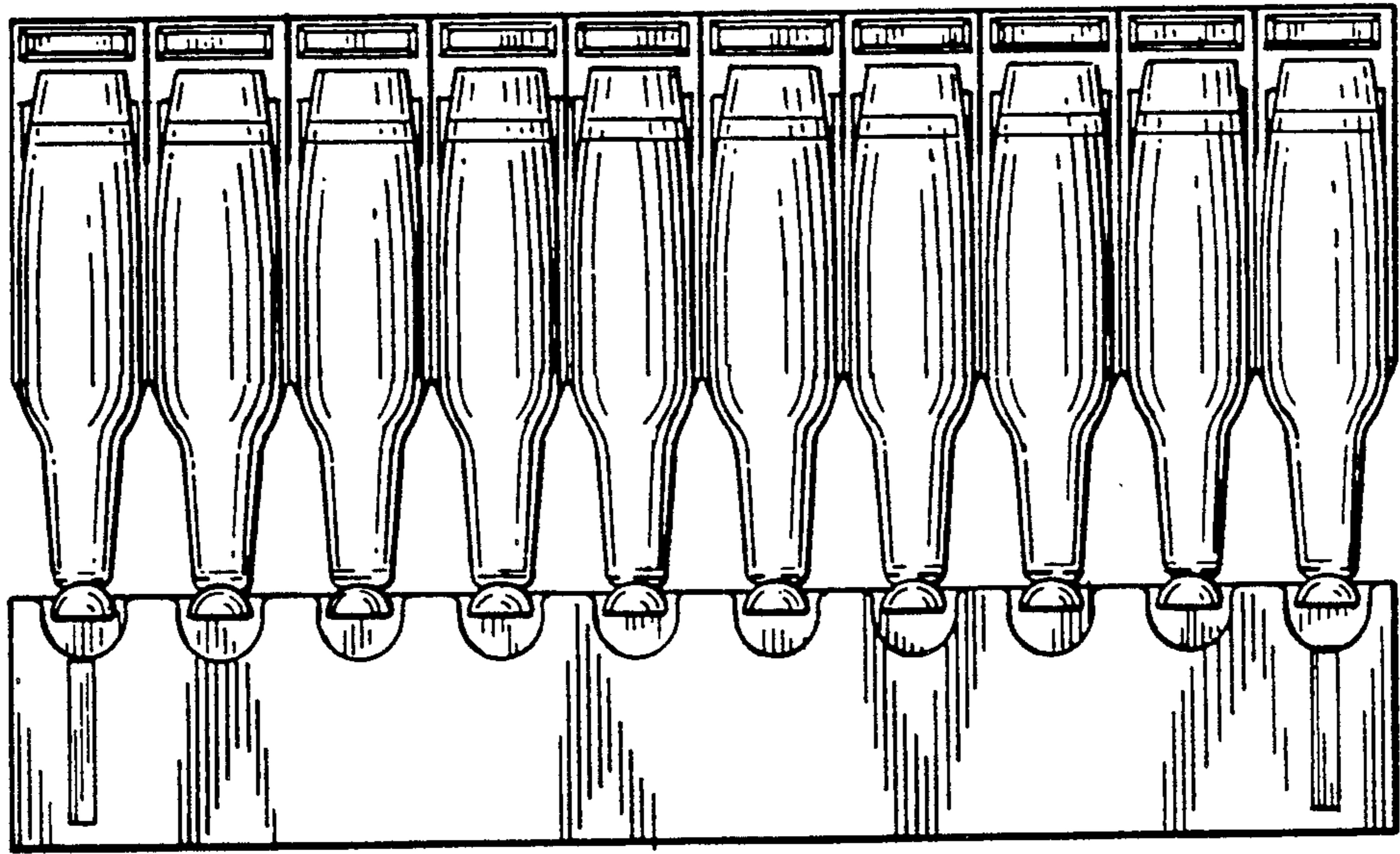


Fig. 3

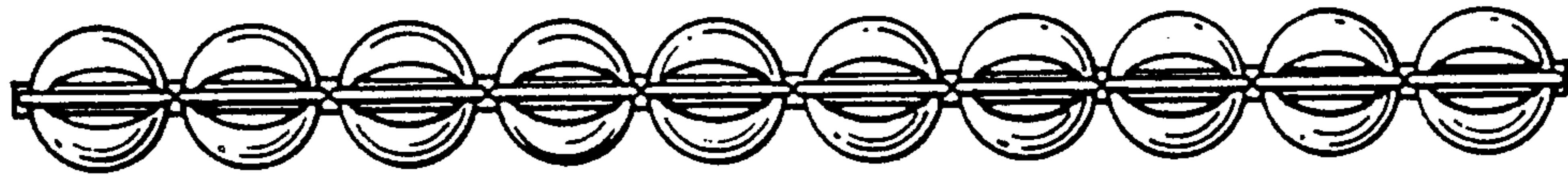


Fig. 4



Fig. 5