

[54] HOUSINGS FOR LATCHES AND LOCKS
 [75] Inventors: Richard H. Russell, Farmington;
 David W. Kaiser, North Haven;
 Richard M. O'Grady, Southington,
 all of Conn.
 [73] Assignee: The Eastern Company, Cleveland,
 Ohio
 [**] Term: 14 Years
 [21] Appl. No.: 383,983
 [22] Filed: Jul. 24, 1989

Related U.S. Application Data

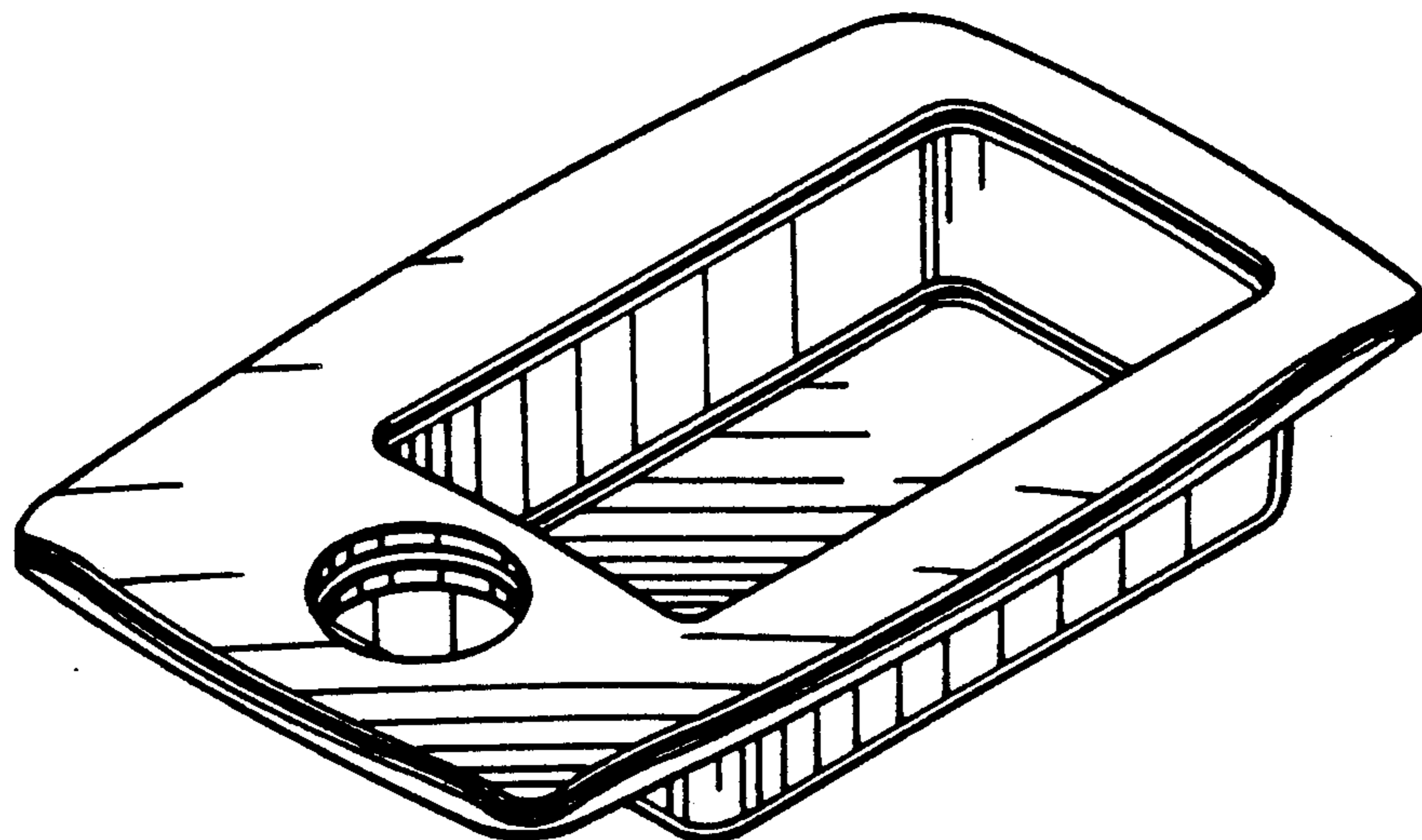
[62] Division of Ser. No. 72,282, Jul. 10, 1987, Pat. No.
 303,922.
 [52] U.S. Cl. D8/321; D8/300;
 D8/313; D8/353; D8/331
 [58] Field of Search D8/300, 302, 306-308,
 D8/313, 322, 330-331, 336, 338, 346, 350, 353;
 70/57, 63, 78, 84, 99, 101, 141, 144, 149, 159,
 208-209

References Cited

U.S. PATENT DOCUMENTS

Re. 14,741 10/1919 Anderson 292/198
 D. 192,787 5/1962 Dyer D8/313
 D. 196,424 10/1963 Are D10/8
 D. 210,152 2/1968 Pastva D50/5
 D. 210,153 2/1968 Pastva D50/5
 D. 218,672 9/1970 Lauper D8/109
 D. 219,095 11/1970 Allen, Jr. D8/306
 D. 230,132 1/1974 Pastva D8/109
 D. 230,945 3/1974 Beckman D8/341
 D. 265,965 8/1982 Davis et al. D8/302
 D. 270,328 8/1983 Davis et al. D8/302
 D. 271,562 11/1983 Weinerman D8/338
 D. 292,482 10/1987 Weinerman et al. D8/302
 1,995,106 3/1935 Roedding 292/226
 2,266,119 12/1941 Jacobi 292/227
 2,317,700 4/1943 Thompson 292/254
 2,387,187 10/1945 Smith 70/97
 2,594,940 4/1952 Levine 70/66
 2,637,585 5/1953 Troche et al. 292/336.3
 2,642,300 6/1953 Pelcin 292/173
 2,649,322 8/1953 Mack 292/173

2,668,076 2/1954 Troche et al. 292/336.3
 2,703,431 3/1955 Tatom 16/147
 2,721,751 10/1955 Holritz 292/169
 2,735,706 2/1956 Pelcin 292/34
 2,746,784 3/1956 Holritz 292/175
 2,763,503 9/1956 Tasch et al. 292/173
 2,773,376 12/1956 Wartian 70/150
 2,784,993 3/1957 Collar 292/223
 2,840,407 6/1958 Sellon, Jr. 292/169
 2,871,048 1/1959 Balogh 292/173
 2,872,241 2/1959 Shelden 296/65
 2,900,204 8/1959 Pelcin 292/173
 2,916,905 12/1959 Podlesak 70/150
 2,924,478 2/1960 Wartian 292/224
 2,952,150 9/1960 Matzkin et al. 70/451
 2,962,320 11/1960 Gilbert 292/337
 2,987,908 6/1961 Pelcin 70/146
 3,044,814 7/1962 Pelcin 292/126
 3,055,204 9/1962 Pelcin 70/153
 3,081,617 3/1963 McKay 70/153
 3,111,833 11/1963 Dettmer 70/140
 3,161,912 12/1964 Crain 20/52
 3,208,781 9/1965 Appleberry 292/128
 3,209,563 10/1965 Pelcin 70/146
 3,209,564 10/1965 Pelcin 70/148
 3,240,523 3/1966 Heimann 292/198
 3,338,610 8/1967 Pelcin et al. 292/126
 3,357,734 12/1967 Pastva, Jr. 292/165
 3,371,511 3/1968 Atkinson 70/71
 3,389,932 6/1968 Pastva, Jr. 292/173
 3,449,005 6/1969 Pastva, Jr. 292/173
 3,495,862 2/1970 McClintock 292/173
 3,508,778 4/1970 Legge et al. 292/336.3
 3,550,412 12/1970 Pitel et al. 70/461
 3,558,167 1/1971 Atkinson 292/228
 3,576,118 4/1971 Doerrfeld 70/146
 3,659,445 5/1972 Eads et al. 70/451
 3,668,907 6/1972 Pastva, Jr. 70/153
 3,707,862 1/1973 Pastva, Jr. 70/150
 3,743,336 7/1973 Andrews 292/173
 3,758,140 9/1973 Prete, Jr. 292/223
 3,767,244 10/1973 Plaw 292/227
 3,782,141 1/1974 Doerrfeld 70/146
 3,795,416 3/1974 Hehl et al. 292/336.3
 3,841,674 10/1974 Bisbing et al. 292/175
 3,850,464 11/1974 Bisbing et al. 292/175
 3,871,198 3/1975 Miller 70/146
 4,021,073 5/1977 Manning 296/137
 4,038,718 8/1977 Reilhac et al. 16/110
 4,116,027 9/1978 Tannery 70/472
 4,131,002 12/1978 Gianelo 70/84



4,132,092	1/1979	Steinbach	70/208
4,138,869	2/1979	Pelcin	70/151
4,170,119	10/1979	Kalis, Jr.	70/221
4,177,656	12/1979	Davis	70/84
4,231,597	11/1980	Pelcin	292/164
4,309,884	1/1982	Davis	70/472
4,312,202	1/1982	Pastva, Jr. et al.	70/472
4,312,203	1/1982	Davis	70/472
4,312,204	1/1982	Davis	70/472
4,312,205	1/1982	Reed et al.	70/472
4,320,642	3/1982	Pastva, Jr.	70/472
4,321,812	3/1982	Pelcin	70/472
4,335,595	6/1982	Swan et al.	70/149
4,365,831	12/1982	Bourne	292/229
4,370,874	2/1983	Munn	70/204
4,420,954	12/1983	Hieronimi et al.	70/150
4,438,964	3/1984	Peters	292/216
4,465,328	8/1984	Tihanyi et al.	312/215
4,489,904	12/1984	Soederberg	244/75
4,492,394	1/1985	Dignan	292/64
4,498,319	2/1985	Balducci et al.	70/92
4,510,779	3/1985	Ahad	70/208
4,578,968	4/1986	Messier, Jr.	70/208
4,671,547	6/1987	Weinerman et al.	292/197
4,676,081	6/1987	Craig	70/169
4,679,835	7/1987	Weinerman et al.	292/197
4,683,736	8/1987	Weinerman et al.	70/208
4,693,503	9/1987	Bisbing	292/210
4,706,478	11/1987	Swan et al.	70/208
4,707,006	11/1987	Garg et al.	292/336.3

OTHER PUBLICATIONS

Southco Inc., Southco Fasteners Handbook 37, Concordville, PA 19331, date unknown.

Eberhard Manufacturing Co., *Handbook of Latches, Locks, Hinges, Handles, and Related Hardware*. No. 103, Cleveland, OH 44136, 1985.

Sweet's Catalog File (1981) Section 8.1-AM, p. 12, Armarlite Door Mid-Panel Latch.

Eberhard Catalog No. 103, copyright 1985, Section 1, p. 102, Latch, top left corner of page, and lower left corner of page.

Eberhard Catalog No. 10d, copyright 1985, Section 1, p. 28, Single Point Squeeze Latch.

Primary Examiner—Wallace R. Burke
Assistant Examiner—Brian N. Vinson
Attorney, Agent, or Firm—David A. Burge

[57] CLAIM

The ornamental design for housings for latches and locks, as shown and described.

DESCRIPTION

FIG. 1 is a perspective view of a housing for latches and locks showing our new design;

FIG. 2 is a front elevational view thereof;

FIG. 3 is a rear elevational view thereof;

FIG. 4 is a bottom plan view thereof;

FIG. 5 is a top plan view thereof;

FIG. 6 is a front perspective view of a second embodiment thereof;

FIG. 7 is a front elevational view of the embodiment of FIG. 6;

FIG. 8 is a rear elevational view of the embodiment of FIG. 6;

FIG. 9 is a bottom plan view of the embodiment of FIG. 6;

FIG. 10 is a top plan view of the embodiment of FIG. 6;

FIG. 11 is a rear perspective view of the embodiment of FIG. 6;

FIG. 12 is a right side elevational view of the embodiment of FIG. 6;

FIG. 13 is a left side elevational view of the embodiment of FIG. 6;

FIG. 14 is a vertical cross-sectional view of the embodiment of FIG. 6, taken along line 14—14 of FIG. 7;

FIG. 15 is a vertical cross-sectional view of the embodiment of FIG. 6, taken along line 15—15 of FIG. 8;

FIG. 16 is a front perspective view of a third embodiment thereof; and,

FIG. 17 is a front elevational view of the embodiment of FIG. 16, the rear, side, top and bottom being mirror images of those of the embodiment of FIG. 6.

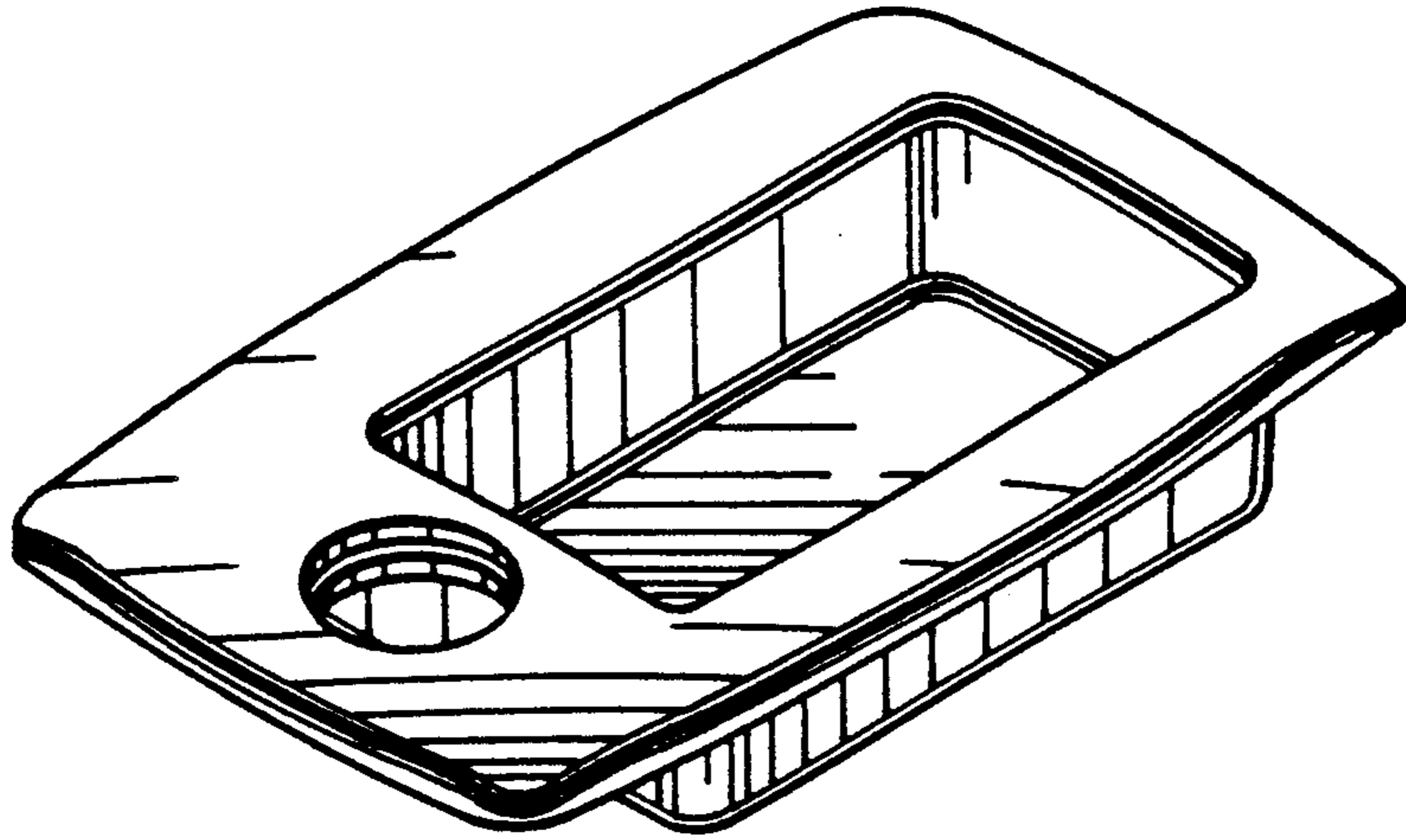


FIG. 1

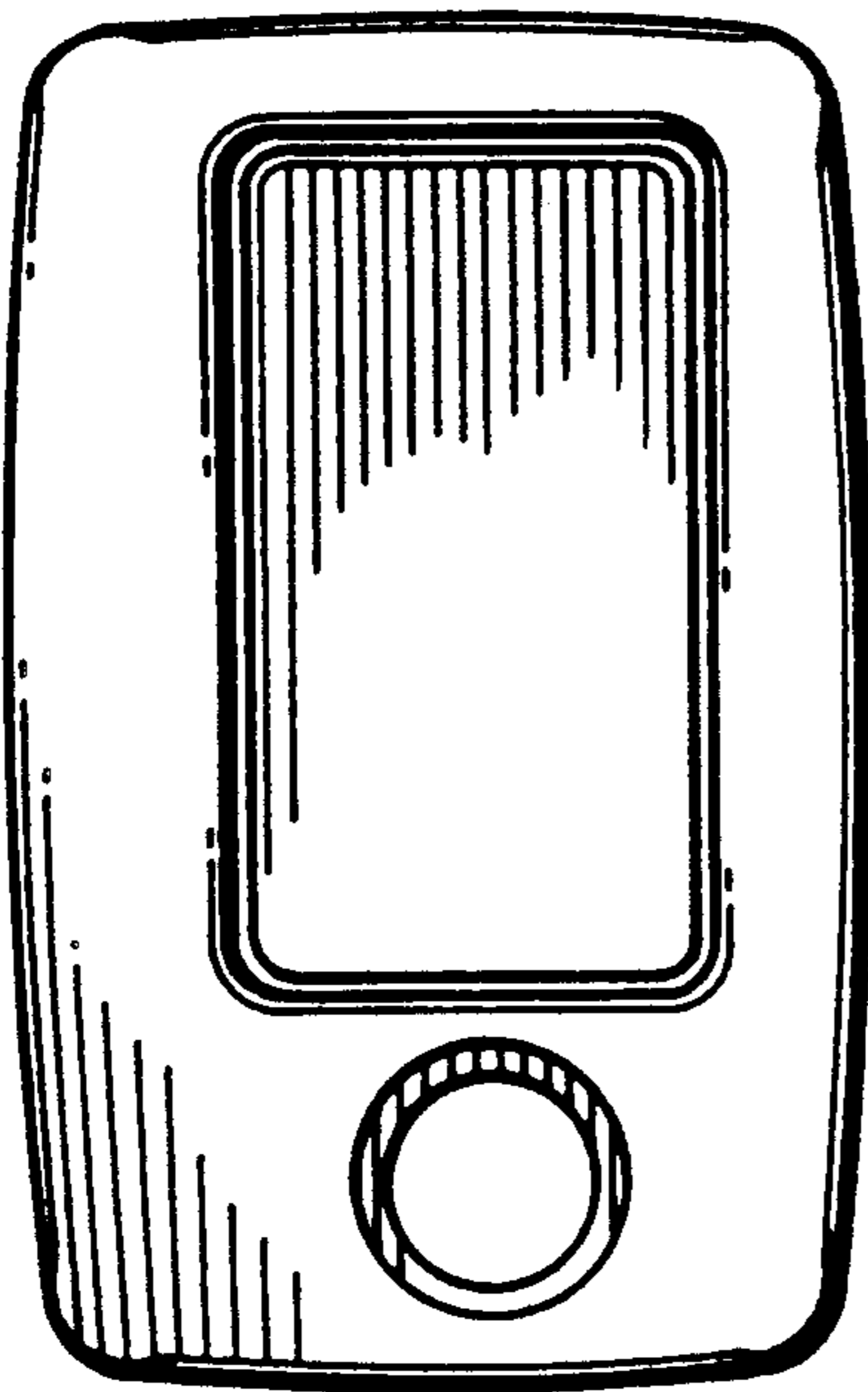


FIG. 2

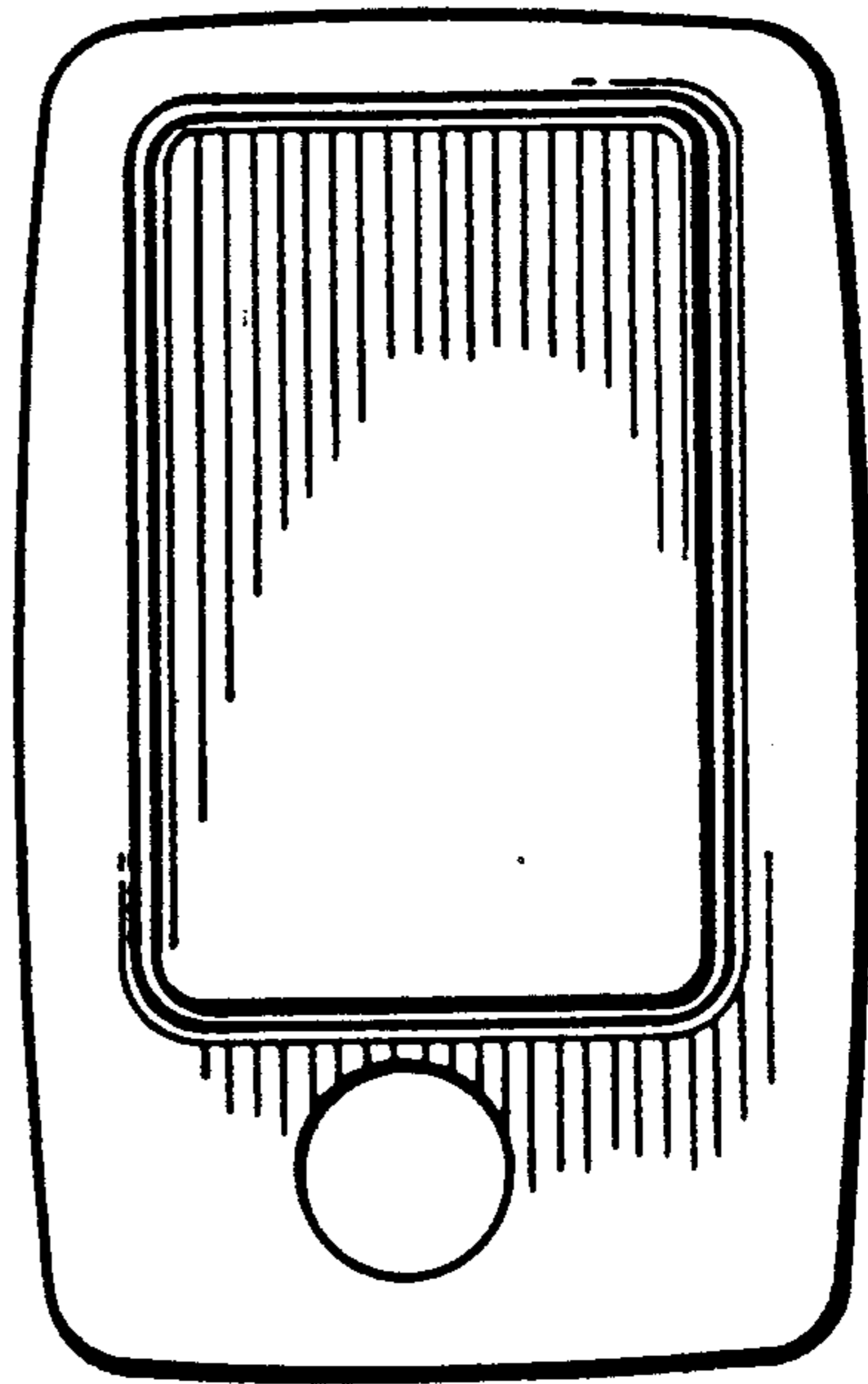


FIG. 3

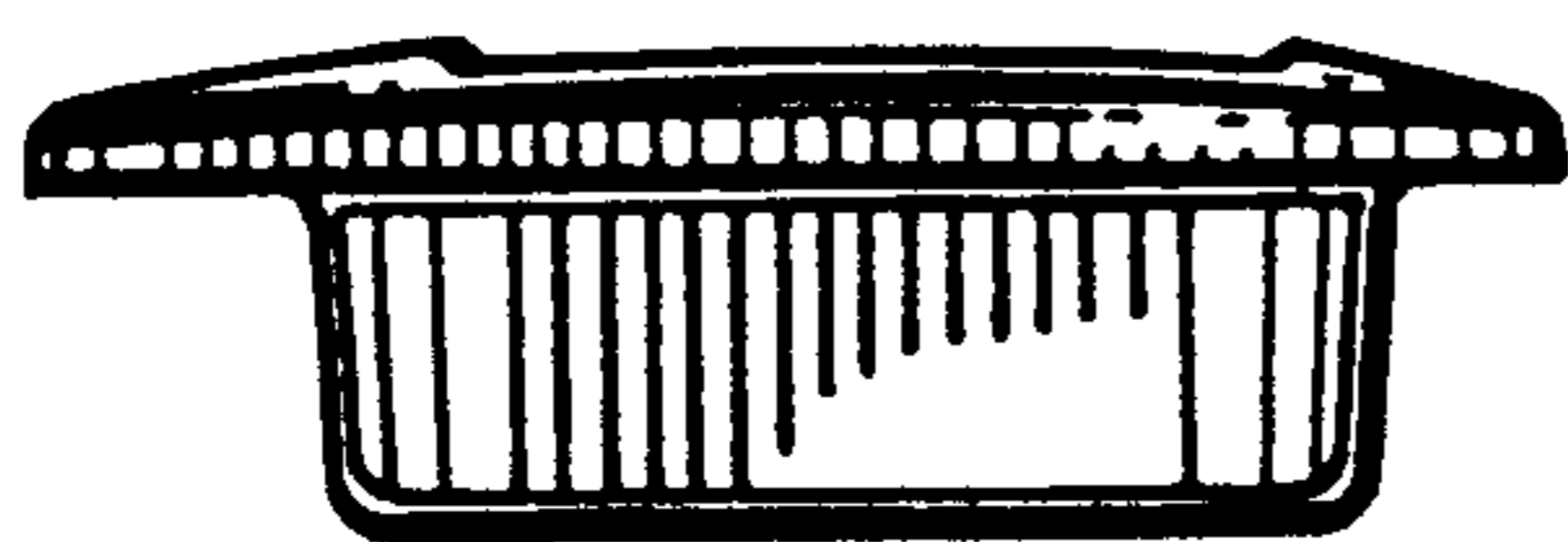


FIG. 4

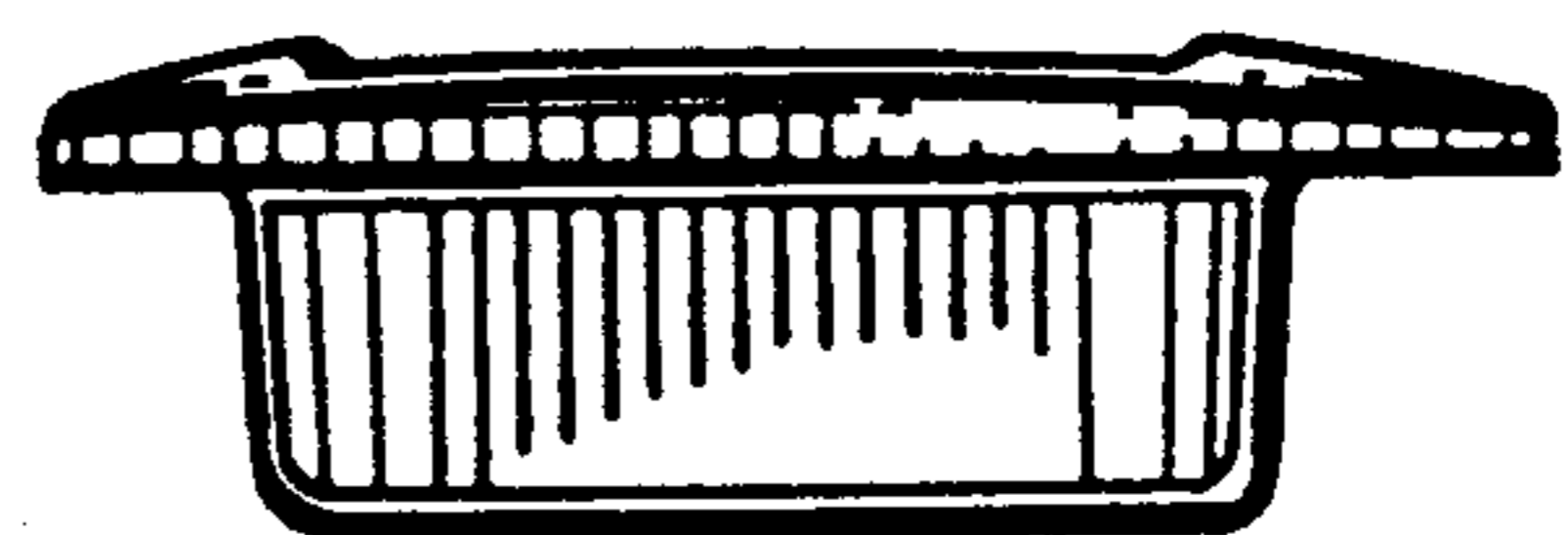


FIG. 5

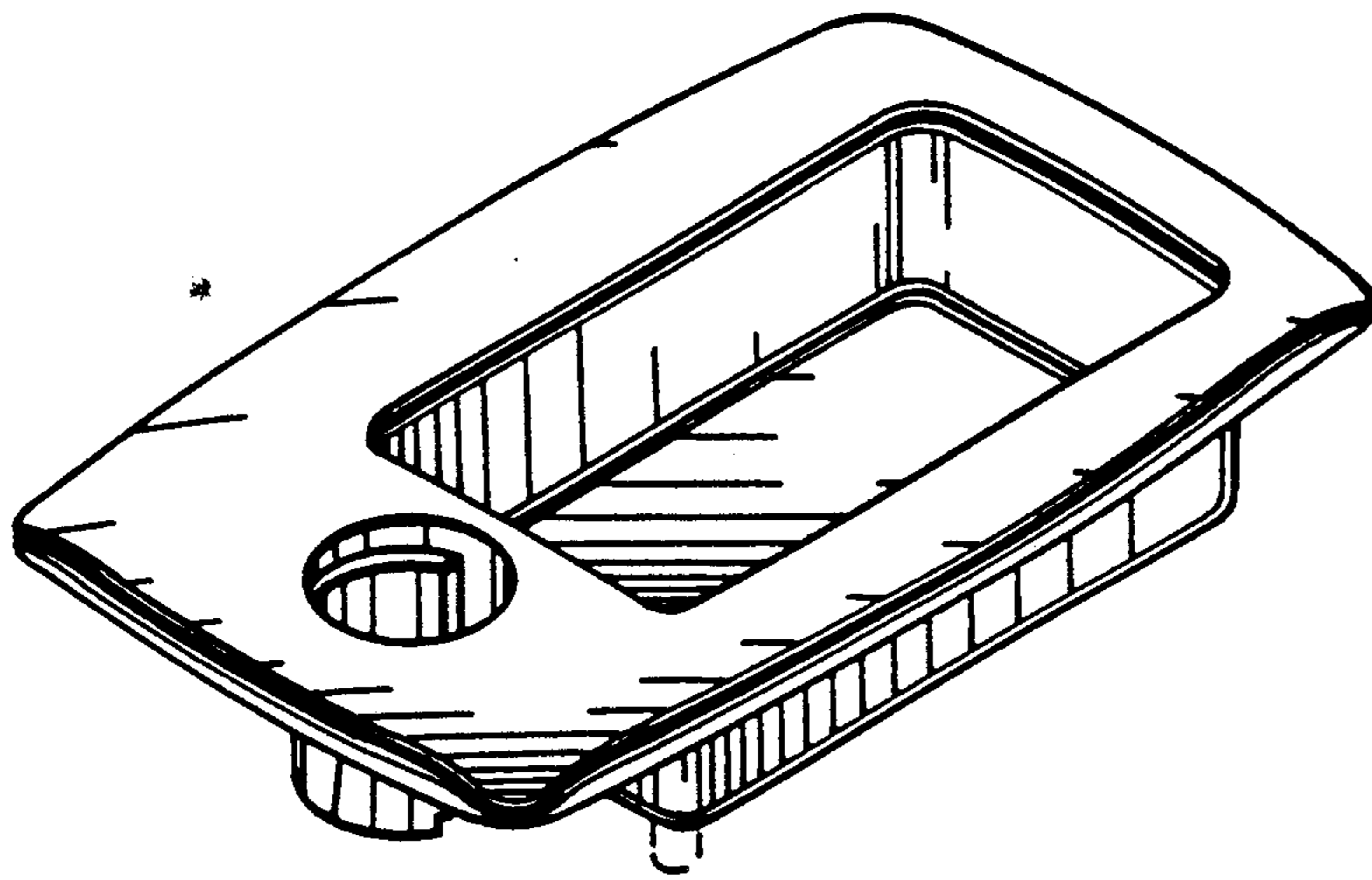
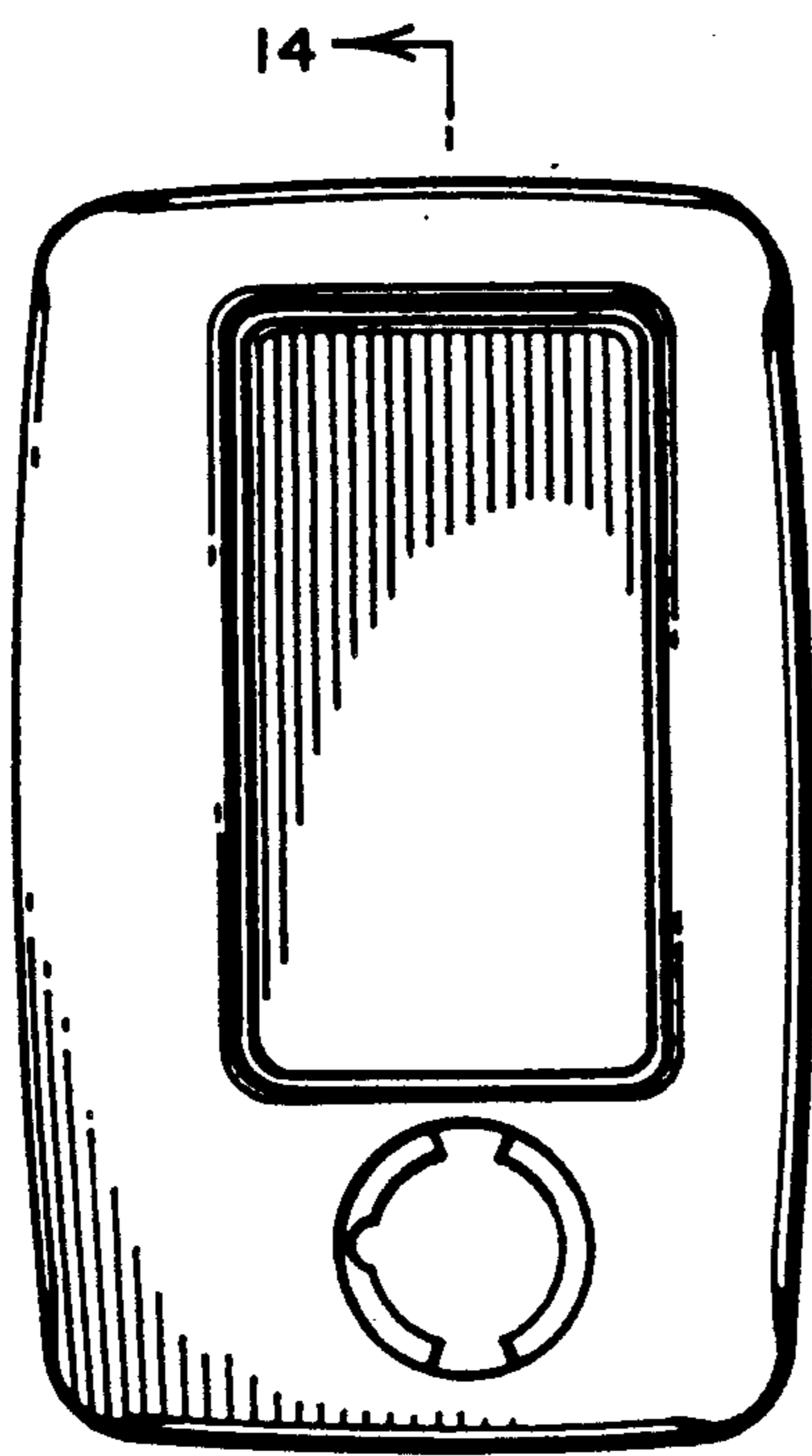
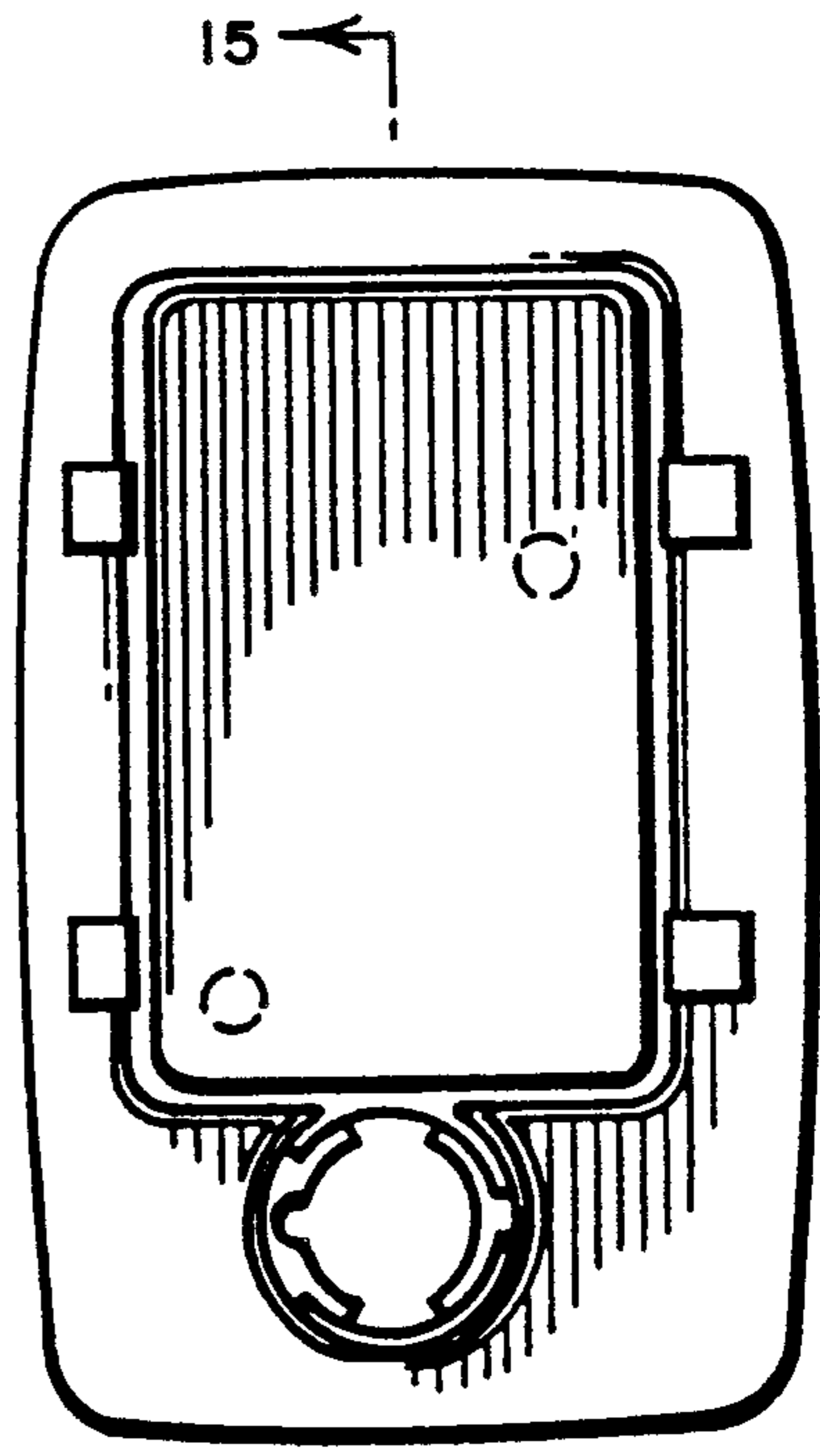


FIG. 6



14
FIG. 7



15
FIG. 8

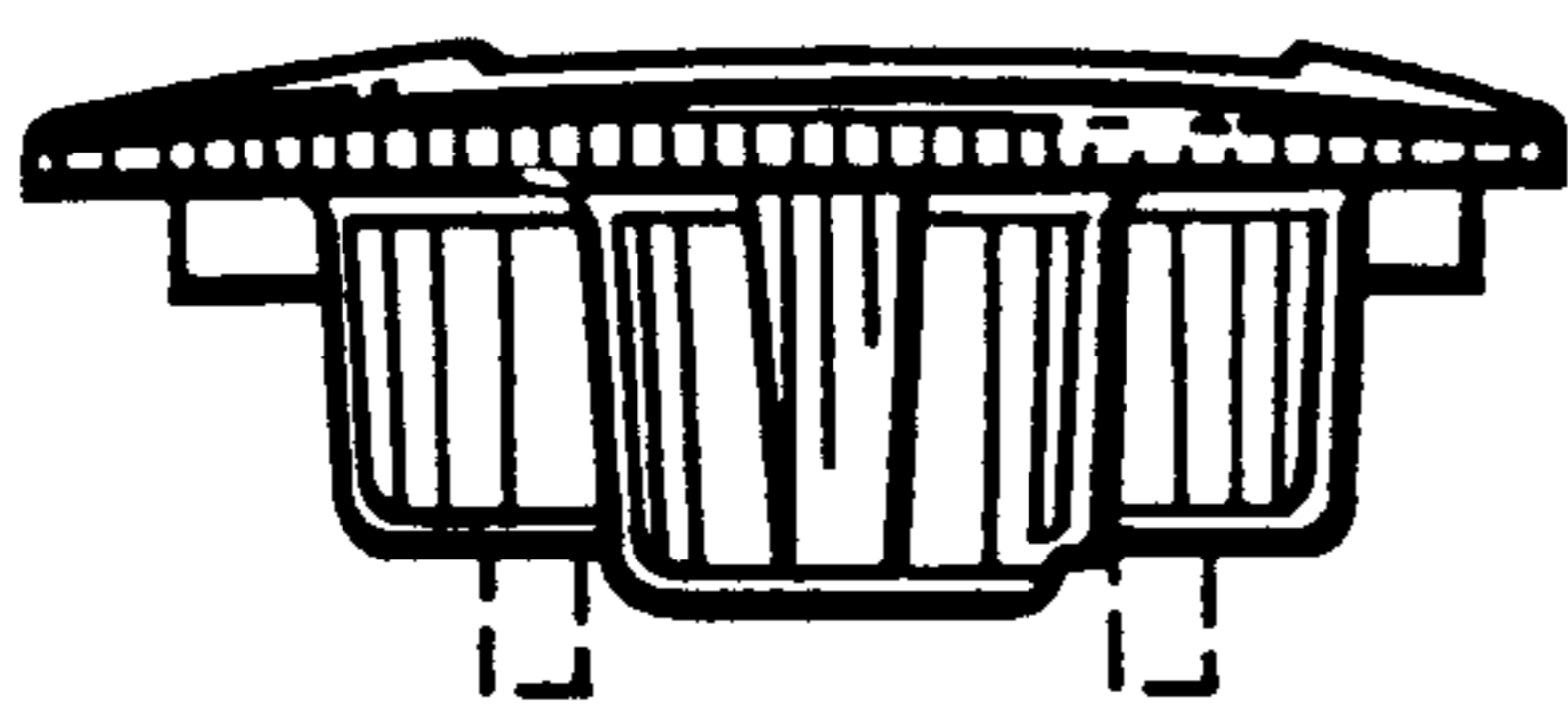


FIG. 9

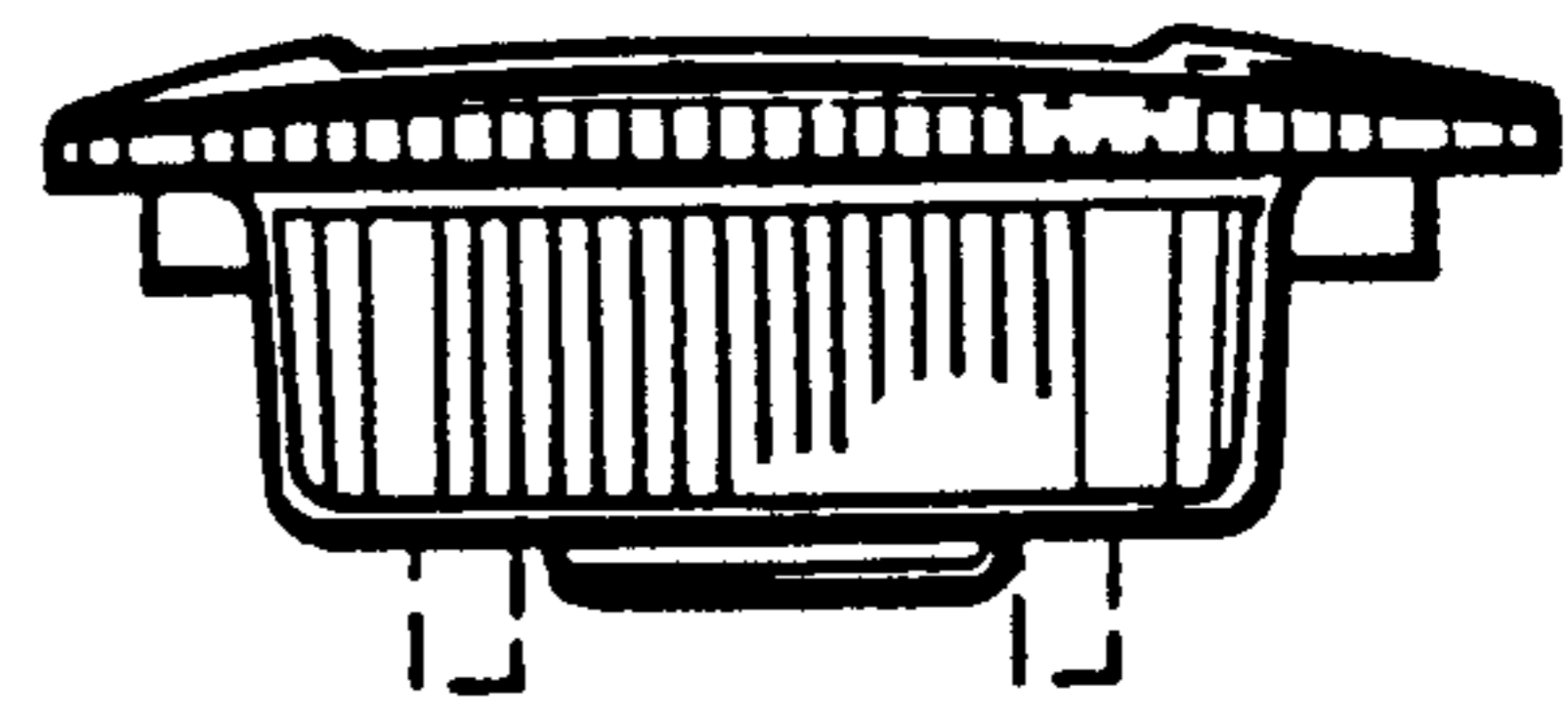


FIG. 10

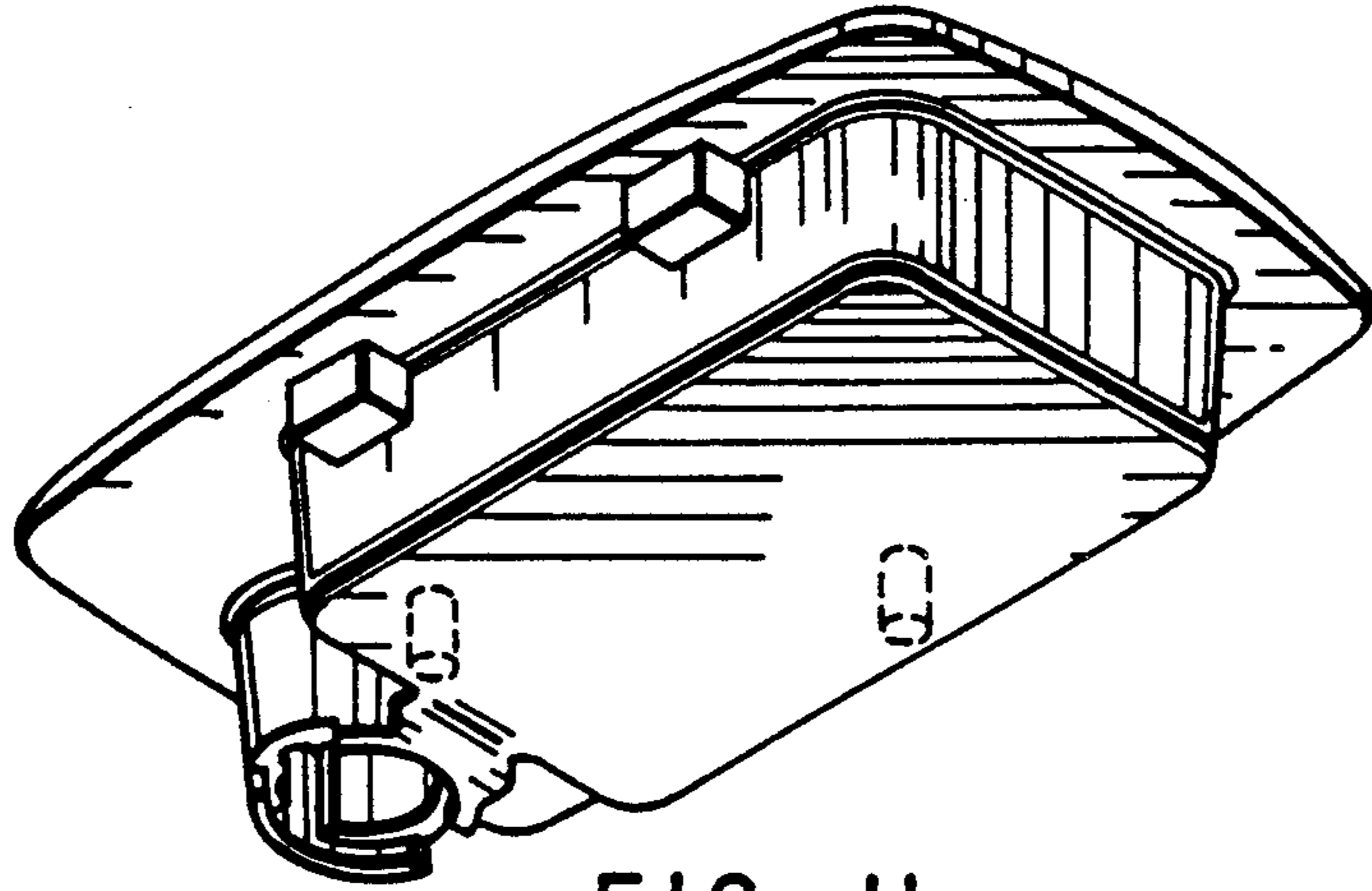


FIG. 11



FIG. 12

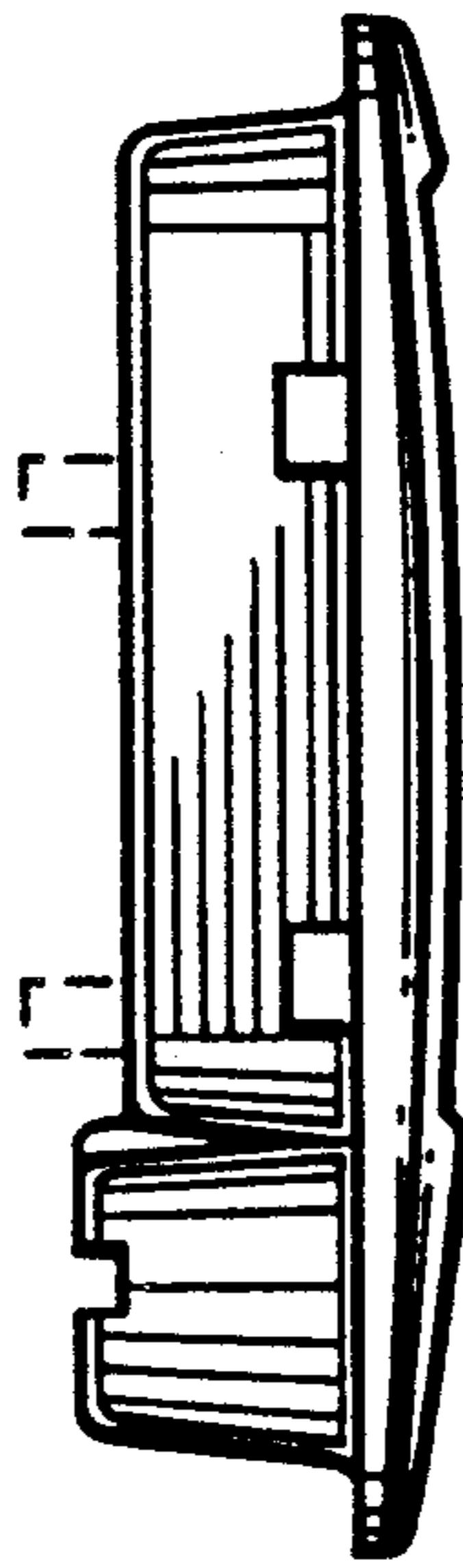


FIG. 13



FIG. 14



FIG. 15

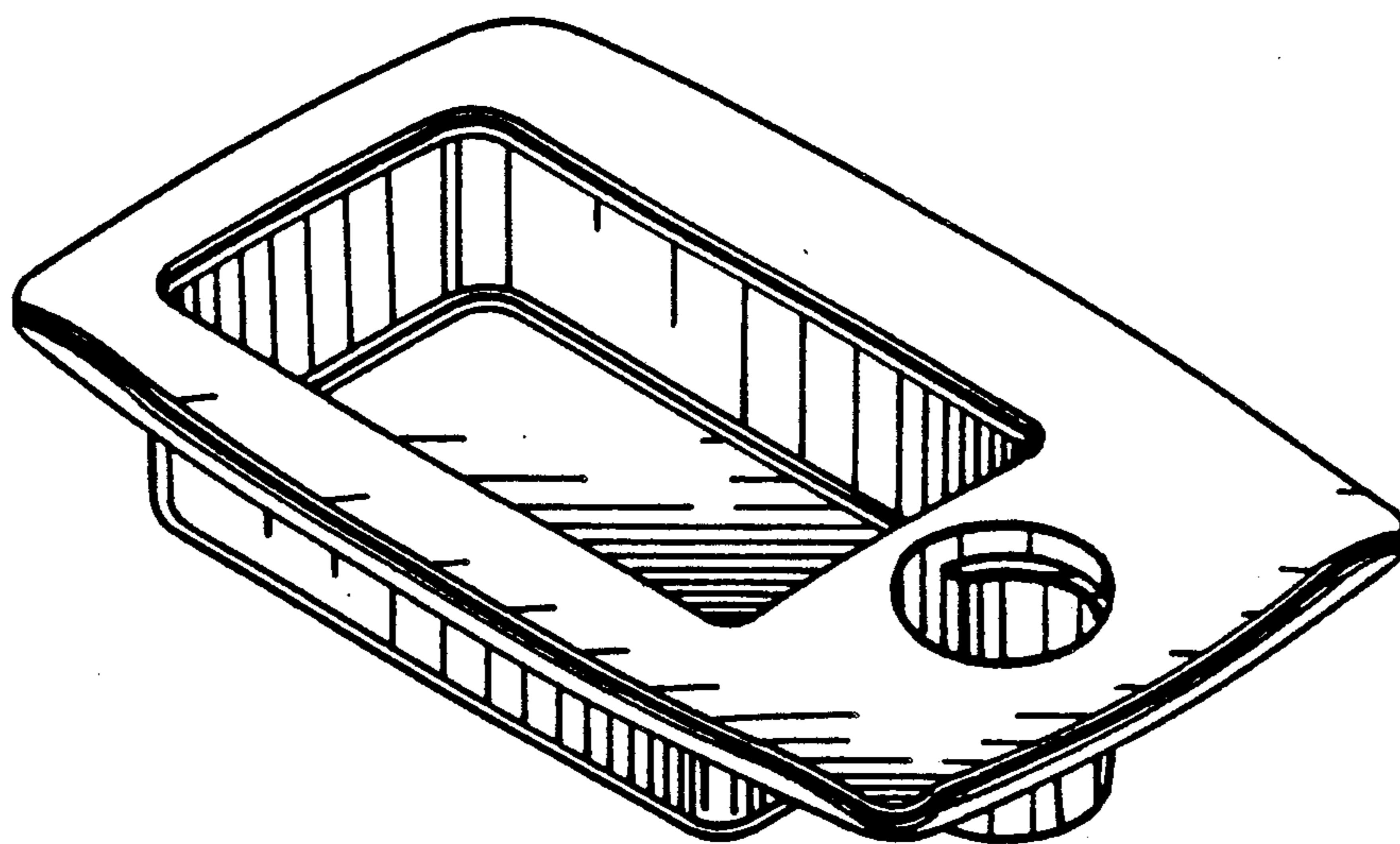


FIG. 16

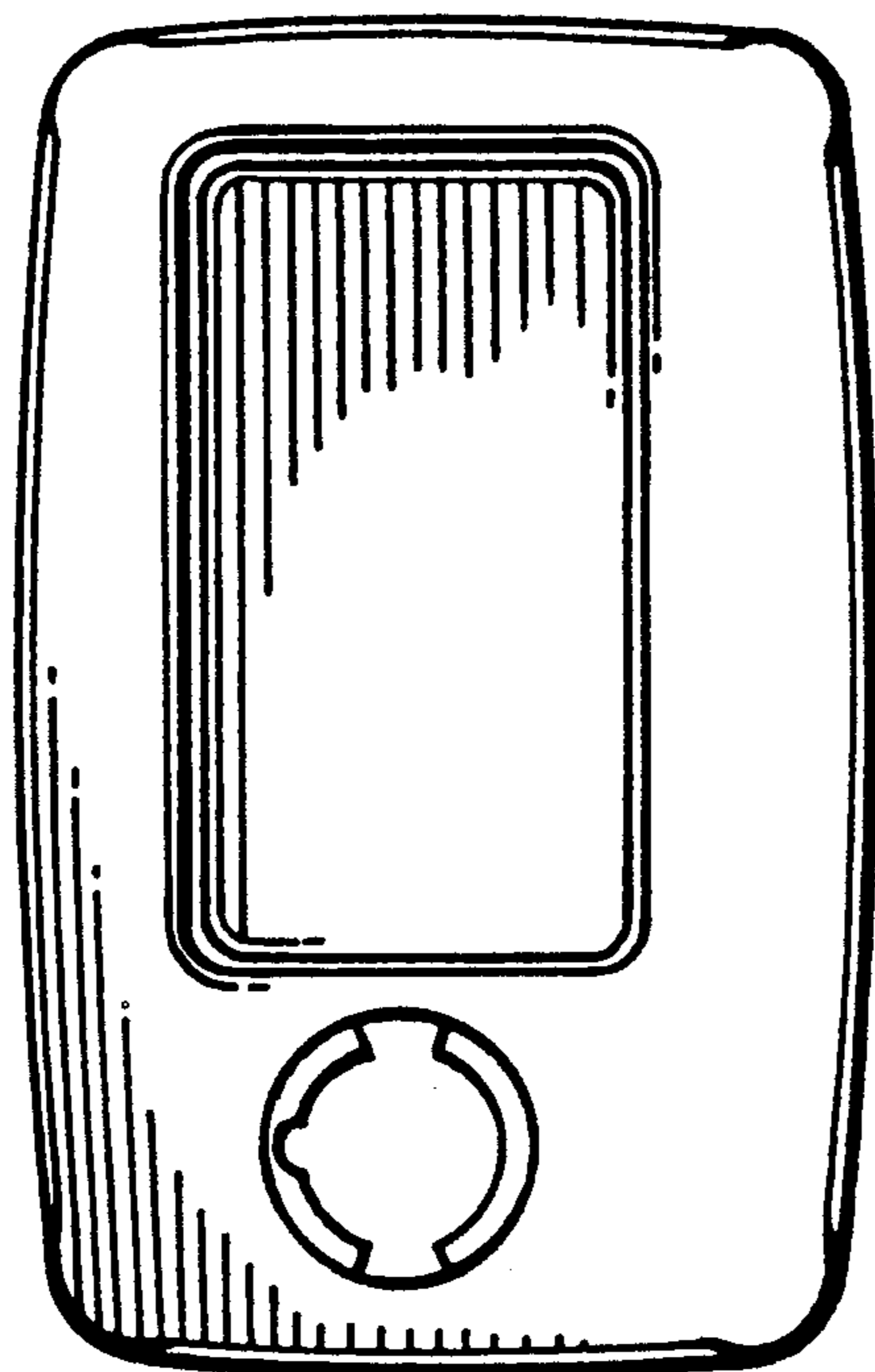


FIG. 17