

- [54] MOTOR HOUSING AND HANDLE FOR A PORTABLE POWER SANDER
- [75] Inventors: Meyric K. Rogers; Whitney C. Harkleroad, both of Lancaster, Pa.
- [73] Assignee: Ryobi Motor Products Corp., Pickens, S.C.
- [**] Term: 14 Years
- [21] Appl. No.: 128,540
- [22] Filed: Dec. 2, 1987
- [52] U.S. Cl. D8/62
- [58] Field of Search D8/61, 62, 67-70; 51/170 R, 170 TL, 170 MT

[56] **References Cited**

U.S. PATENT DOCUMENTS

D. 269,845	7/1983	Hutchins	D8/62
D. 272,511	2/1984	Sato et al.	D8/62
2,501,891	3/1950	Diez	51/170 R
3,938,283	2/1976	Keith, Jr.	51/170 R

OTHER PUBLICATIONS

Sioux Tools Catalog No. 71, 4/1971; p. 55; top panel; Orbital Disc Sander Model Nos. 503 and 506 (Catalog in D8 Boxes).

Black and Decker Power Tools and Accessories Catalog; ©1985; p. 143; top panel; Finishing Sander Model #7436 (Catalog in D8 Boxes).

Primary Examiner—Nelson C. Holtje
Assistant Examiner—Gary D. Watson
Attorney, Agent, or Firm—David L. Davis

[57] **CLAIM**

The ornamental design for a motor housing and handle for a portable power sander, as shown and described.

DESCRIPTION

FIG. 1 is a top, front and right side perspective view of a motor housing and handle for a portable power sander showing our new design;

FIG. 2 is a front elevational view thereof;

FIG. 3 is a right side elevational view thereof;

FIG. 4 is a left side elevational view thereof;

FIG. 5 is a rear elevational view thereof;

FIG. 6 is a top plan view thereof;

FIG. 7 is a top, front and left side perspective view of our new design for a motor housing and handle for a portable power sander wherein the housing includes a vacuum outlet;

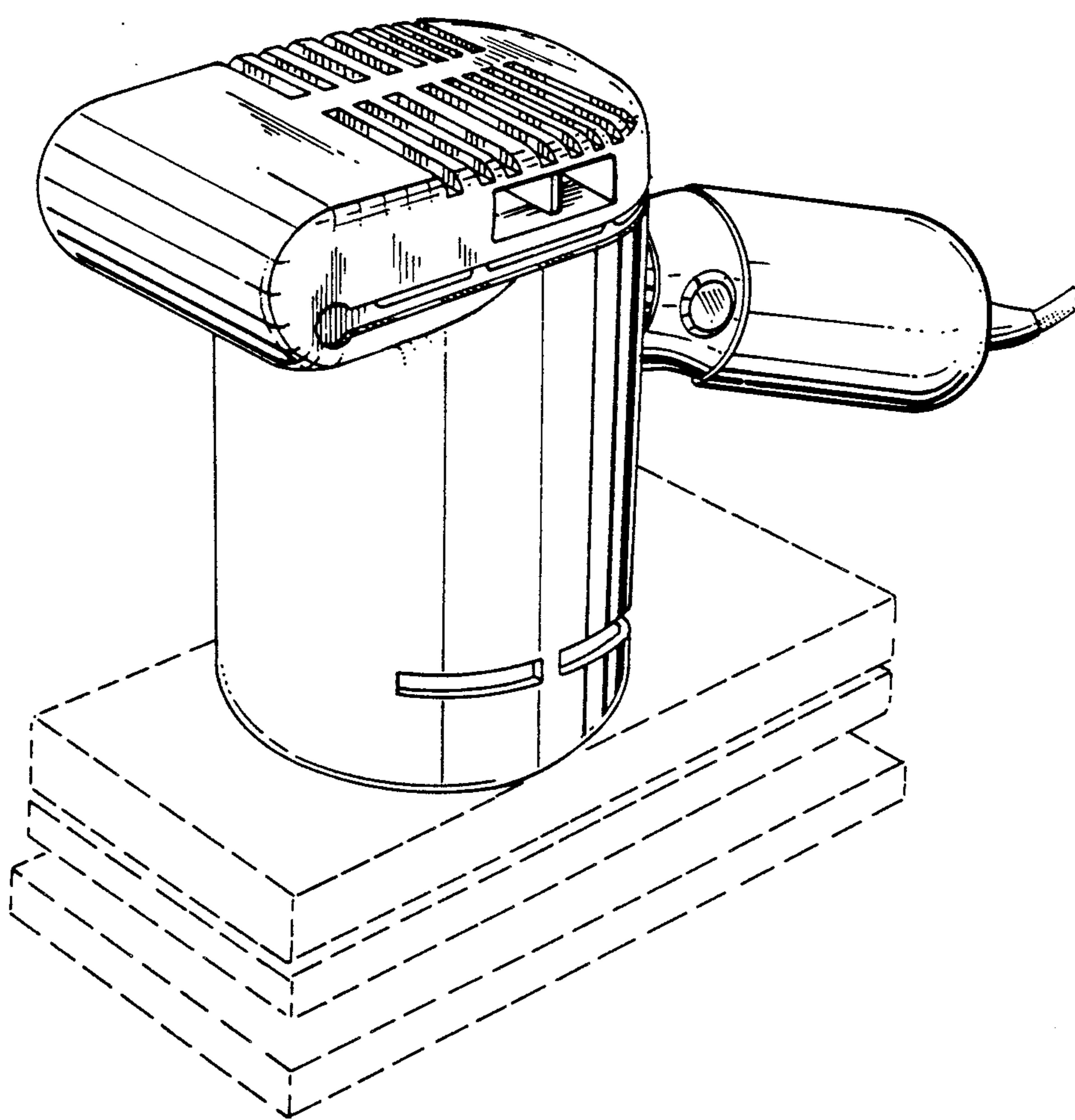
FIG. 8 is a front elevational view thereof;

FIG. 9 is a rear elevational view thereof;

FIG. 10 is a top plan view thereof; and

FIG. 11 is a left side elevational view thereof, the right side being substantially similar to FIG. 3.

The bottom of the motor housing and handle for a portable power sander, not shown, is substantially plain and unornamented. The portions of the drawing shown in broken lines are environmental only and form no part of the claimed design.



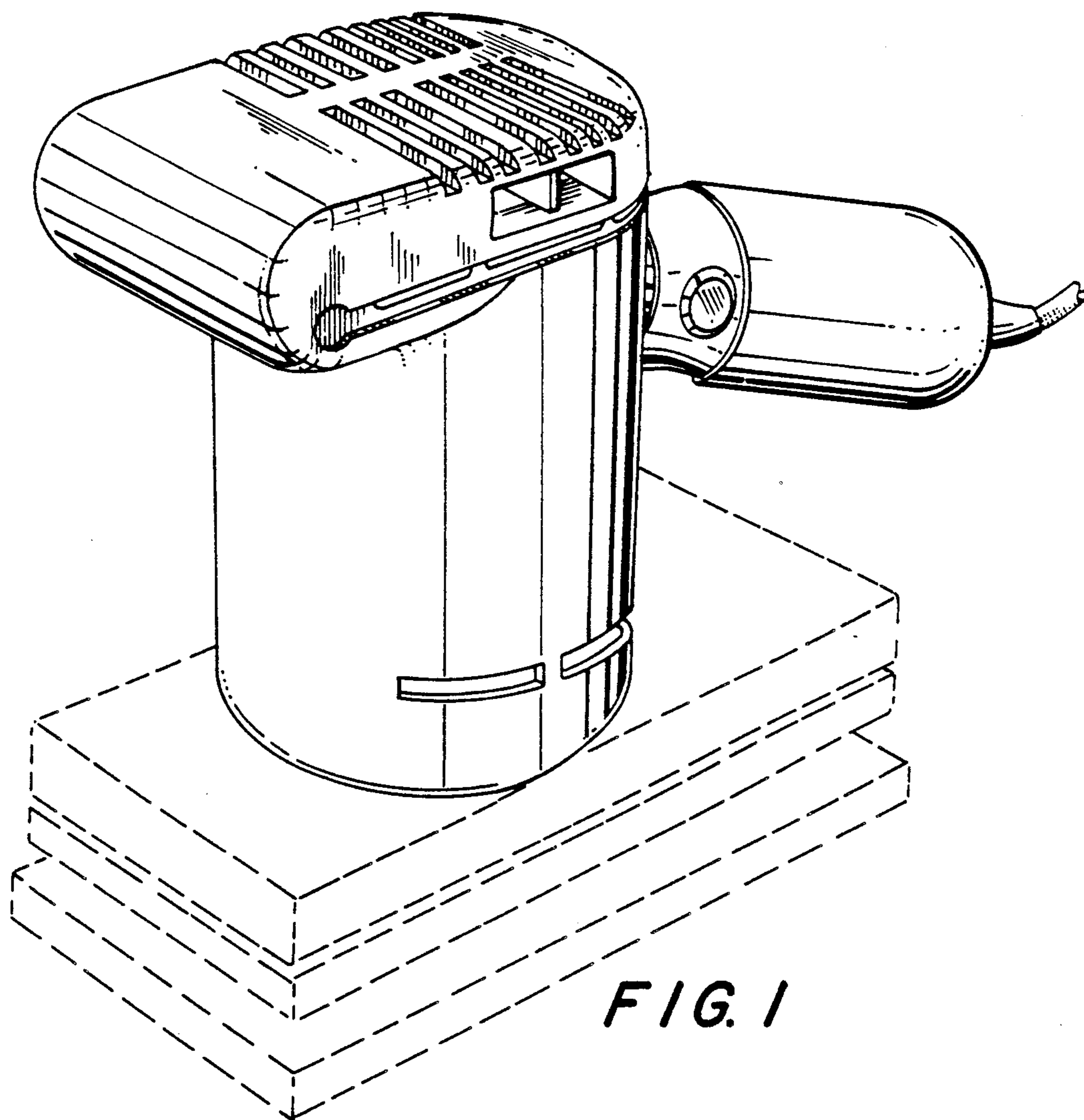
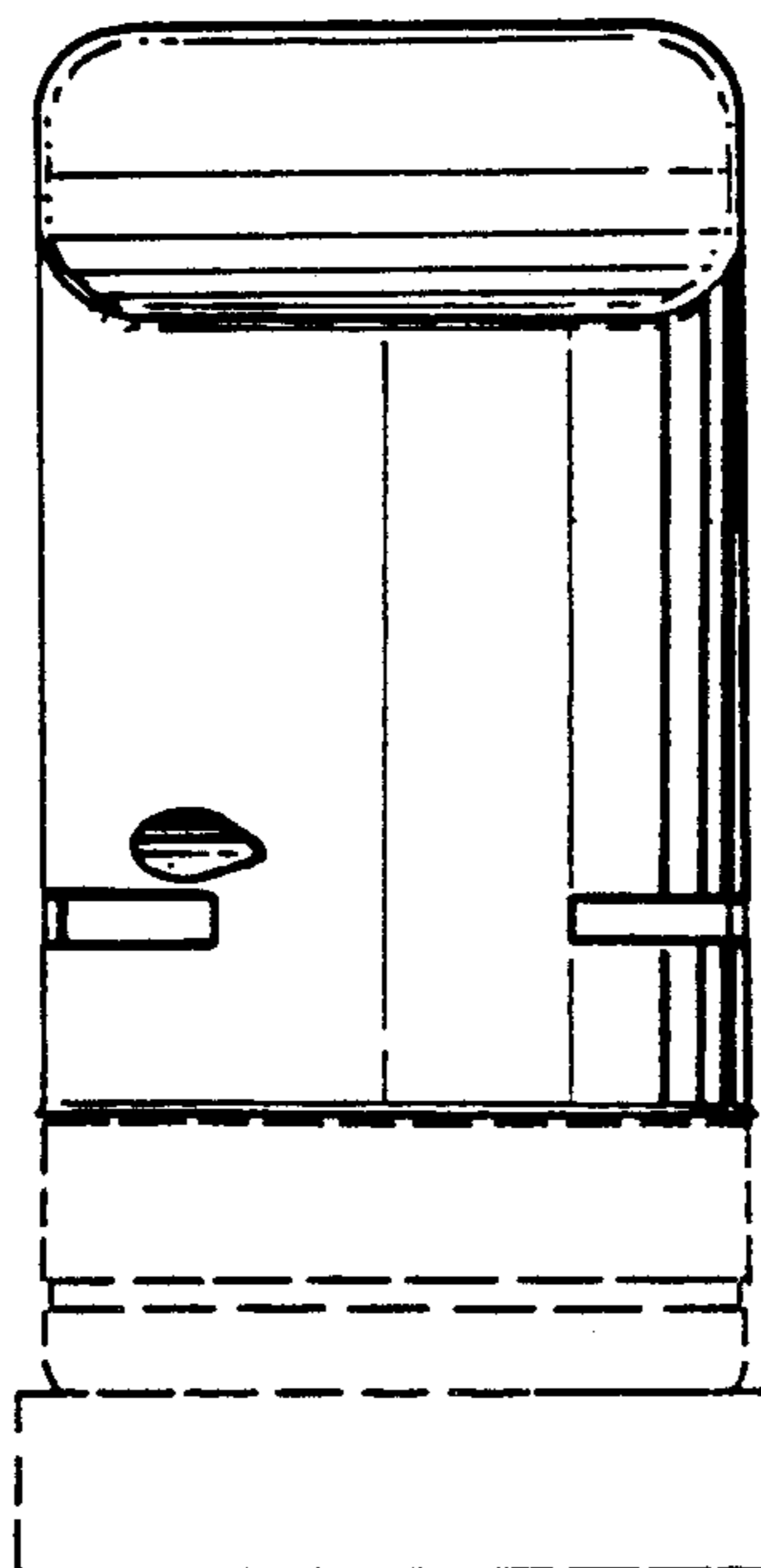


FIG. 2



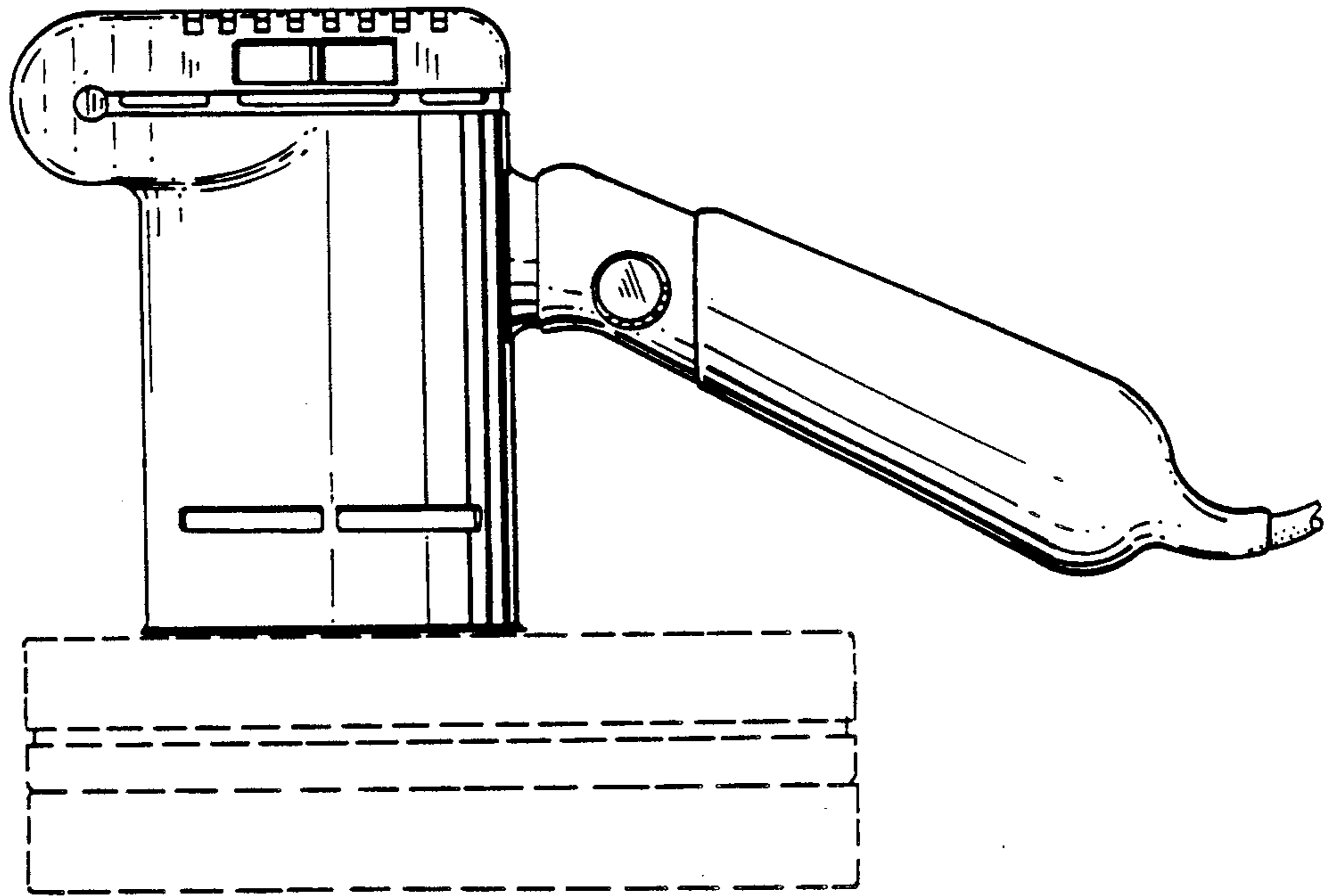


FIG. 3

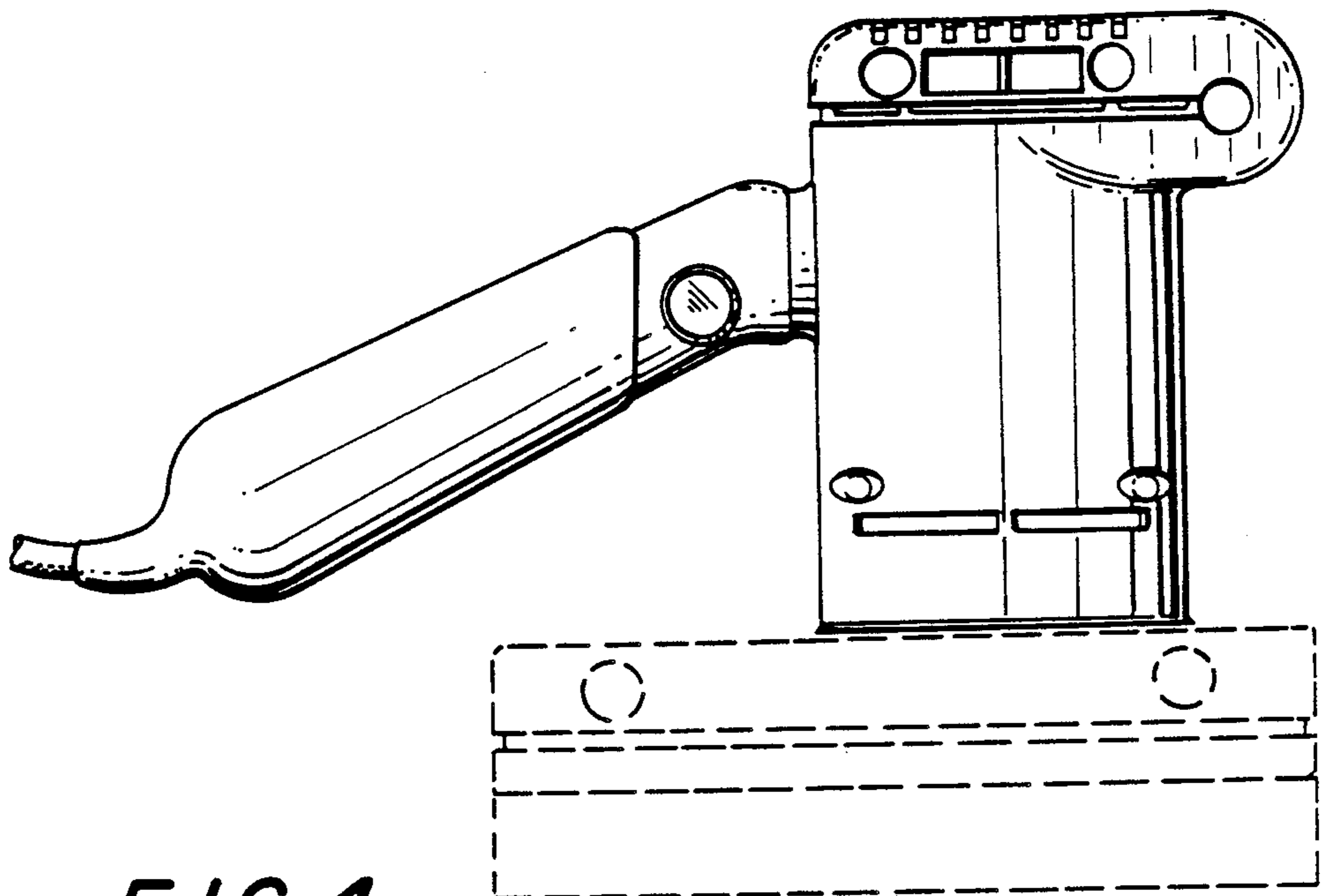


FIG. 4

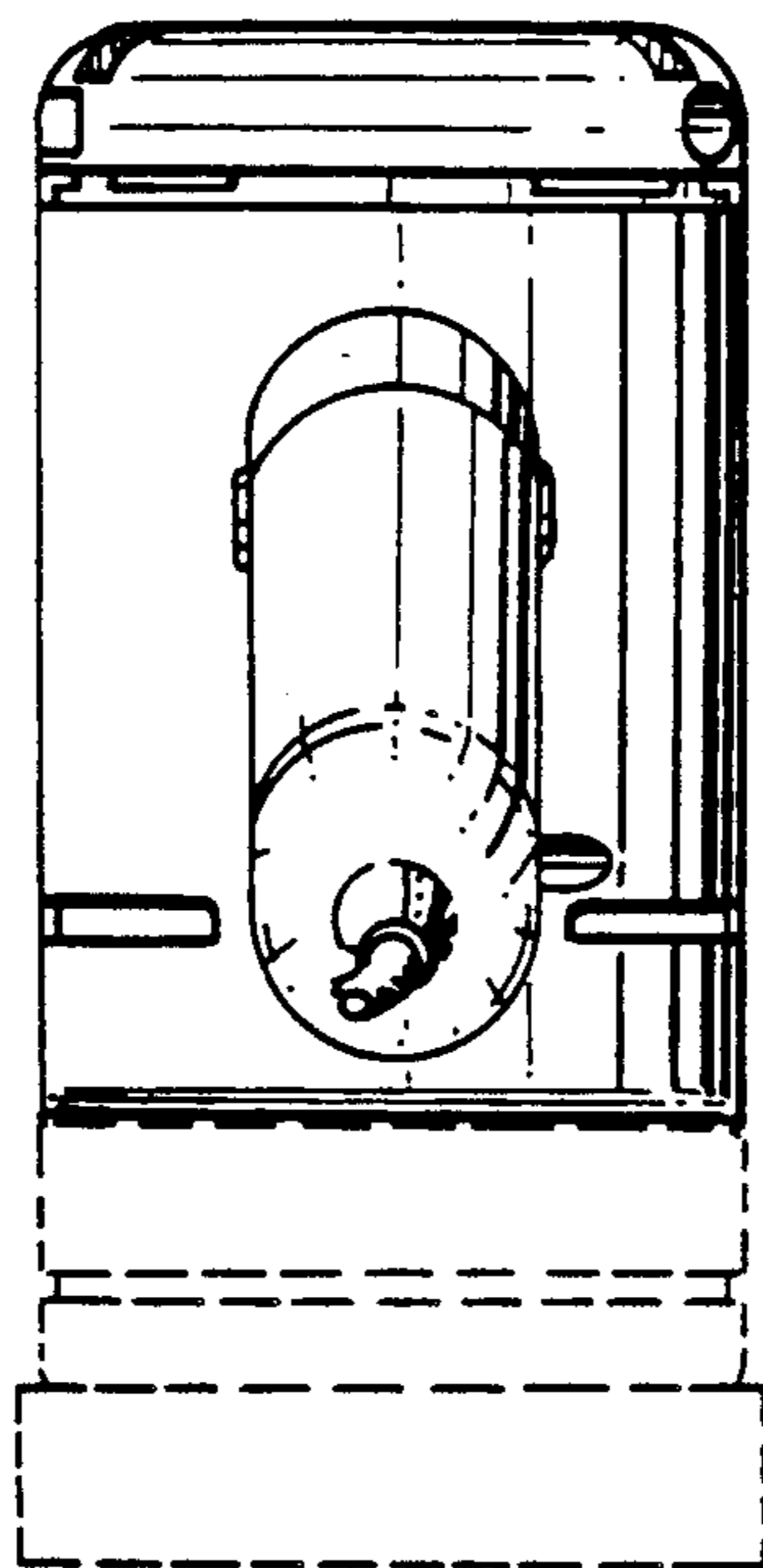


FIG. 5

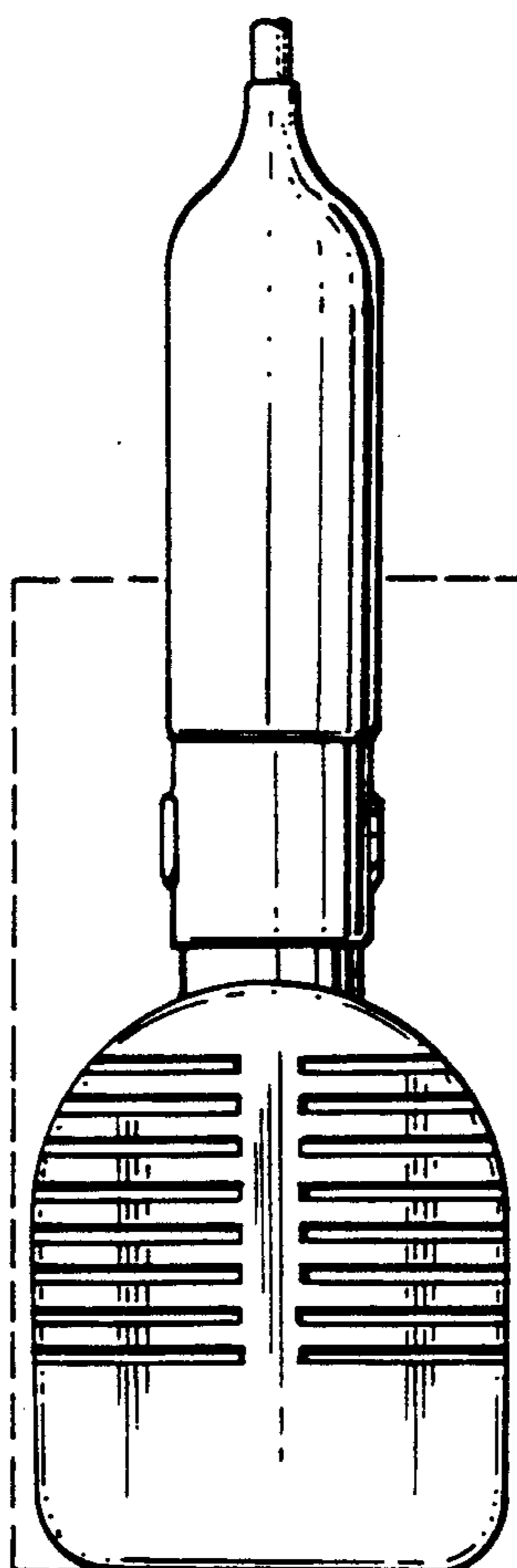


FIG. 6

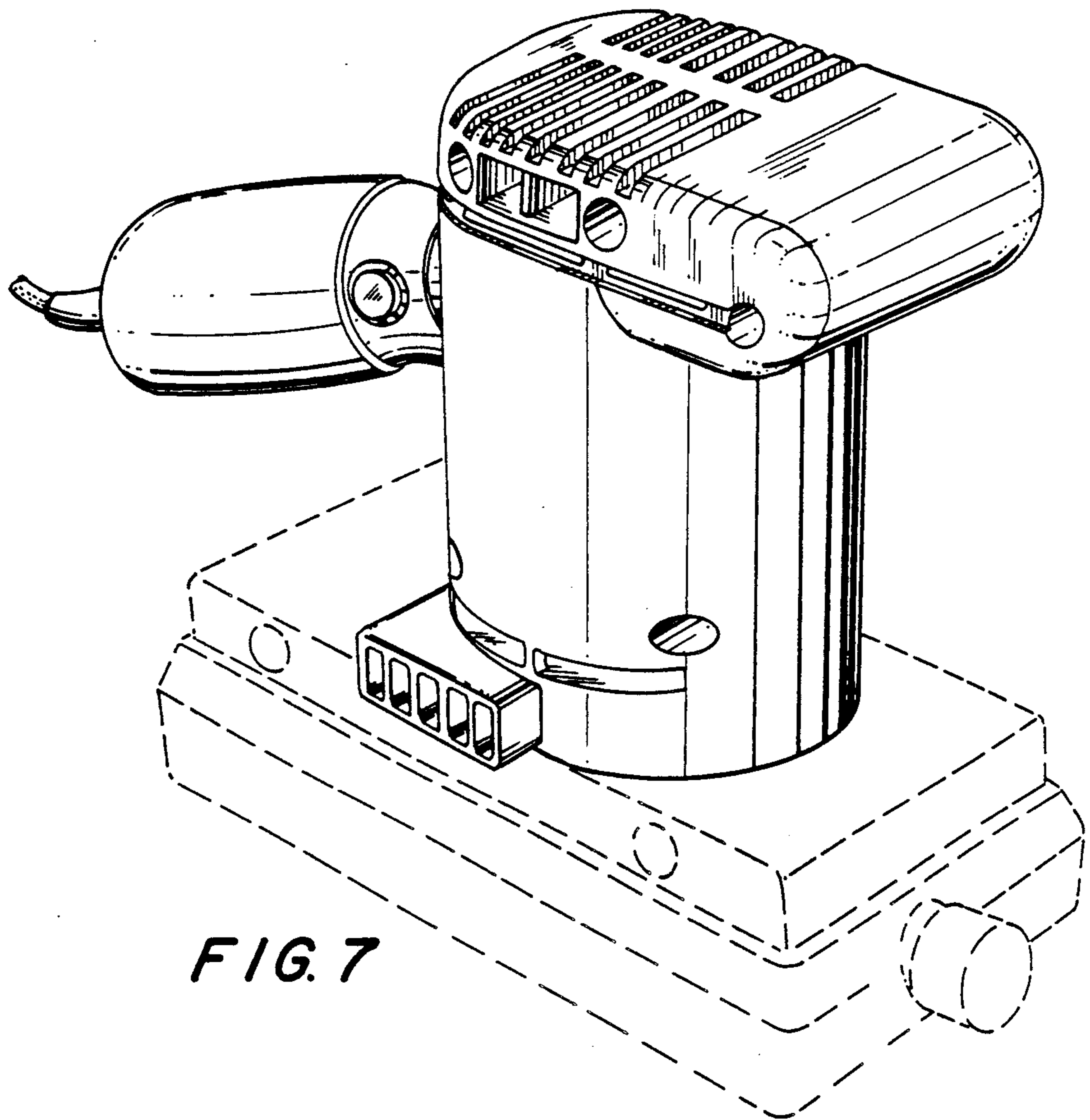


FIG. 7

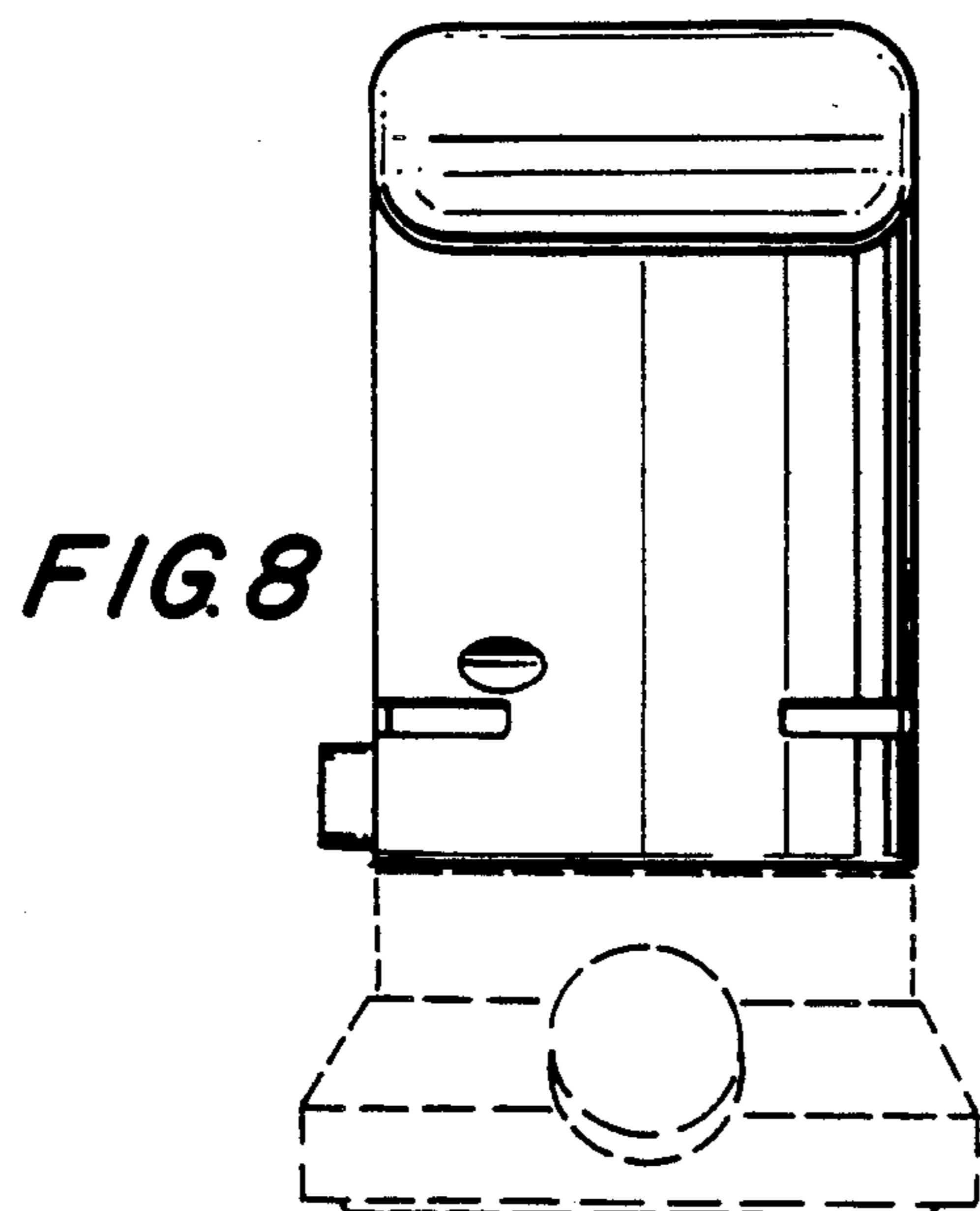


FIG. 8

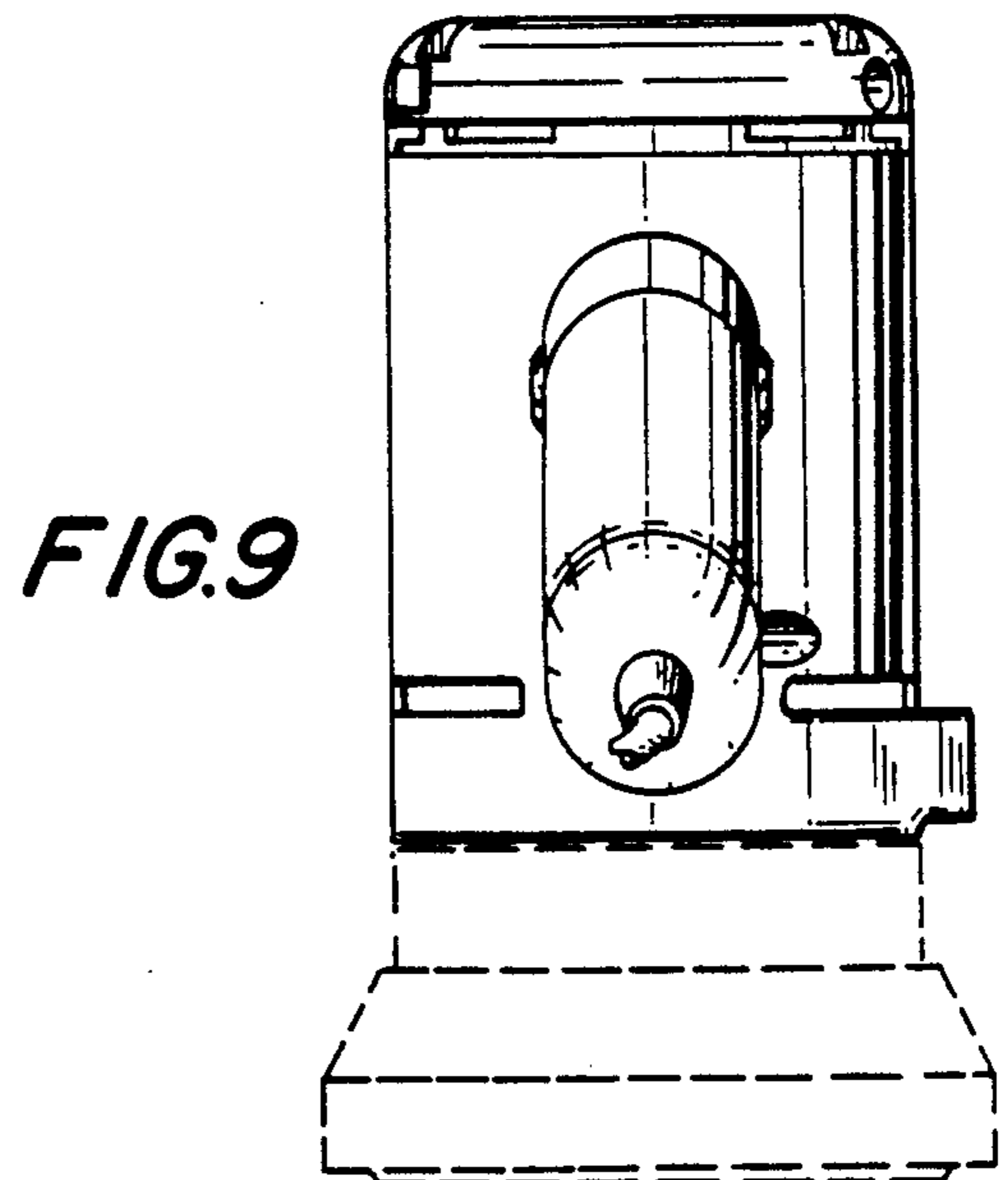


FIG. 9

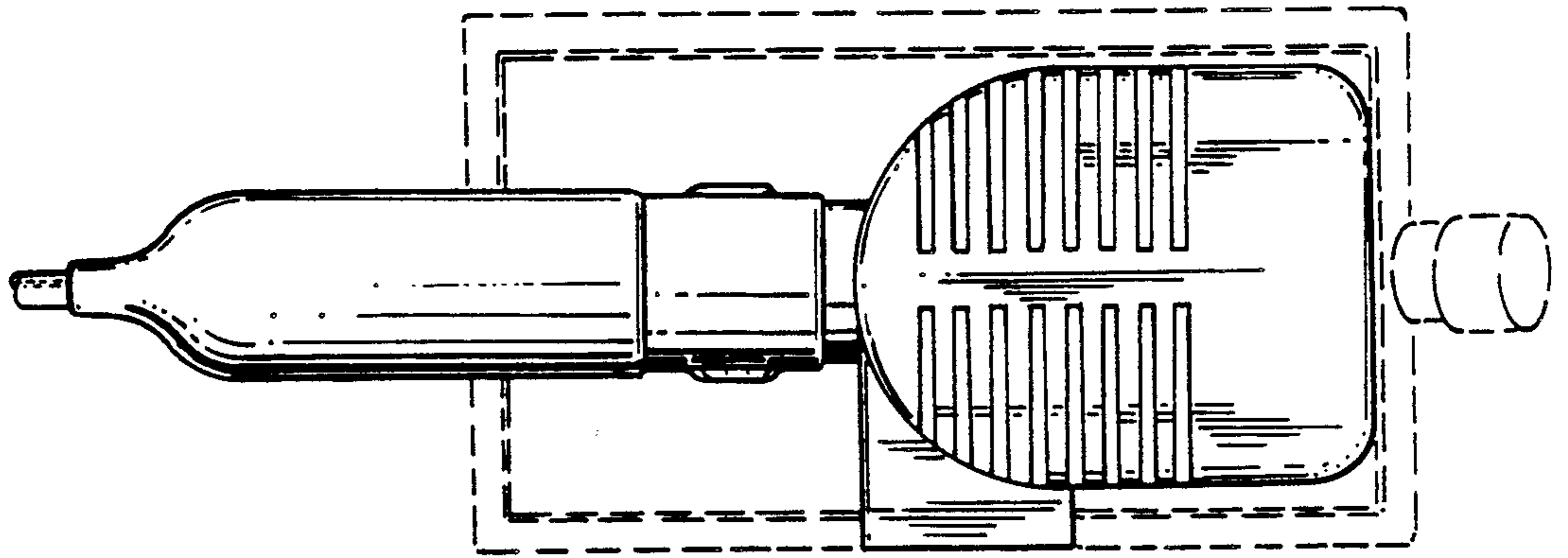


FIG. 10

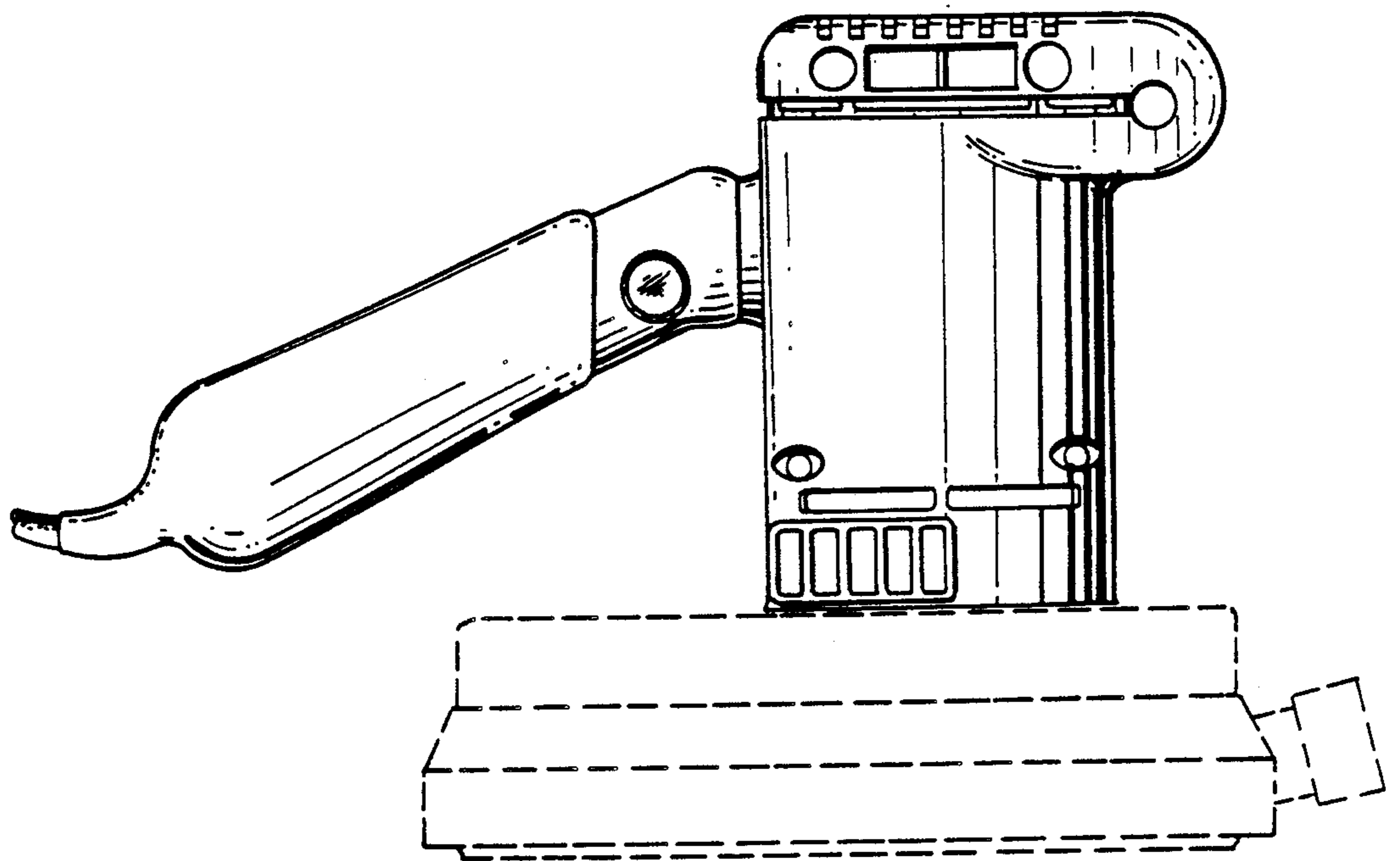


FIG. 11