

[54] RATCHET WRENCH

[76] Inventor: Larry A. Brainard, 1836 4th St., Cuyahoga Falls, Ohio 44221

[**] Term: 14 Years

[21] Appl. No.: 261,278

[22] Filed: Oct. 24, 1988

[52] U.S. Cl. D8/25

[58] Field of Search D8/17-19, D8/21-29; 81/60-63.2

FOREIGN PATENT DOCUMENTS

2334471 7/1977 France 81/60

OTHER PUBLICATIONS

Cornwell Quality Tools Co. Catalog A81, pp. 22, 28, 36 & 51.

Primary Examiner—Carmen H. Vales-Lado
Attorney, Agent, or Firm—Renner, Kenner, Greive, Bobak, Taylor & Weber

[57] CLAIM

The ornamental design for a ratchet wrench, as shown and described.

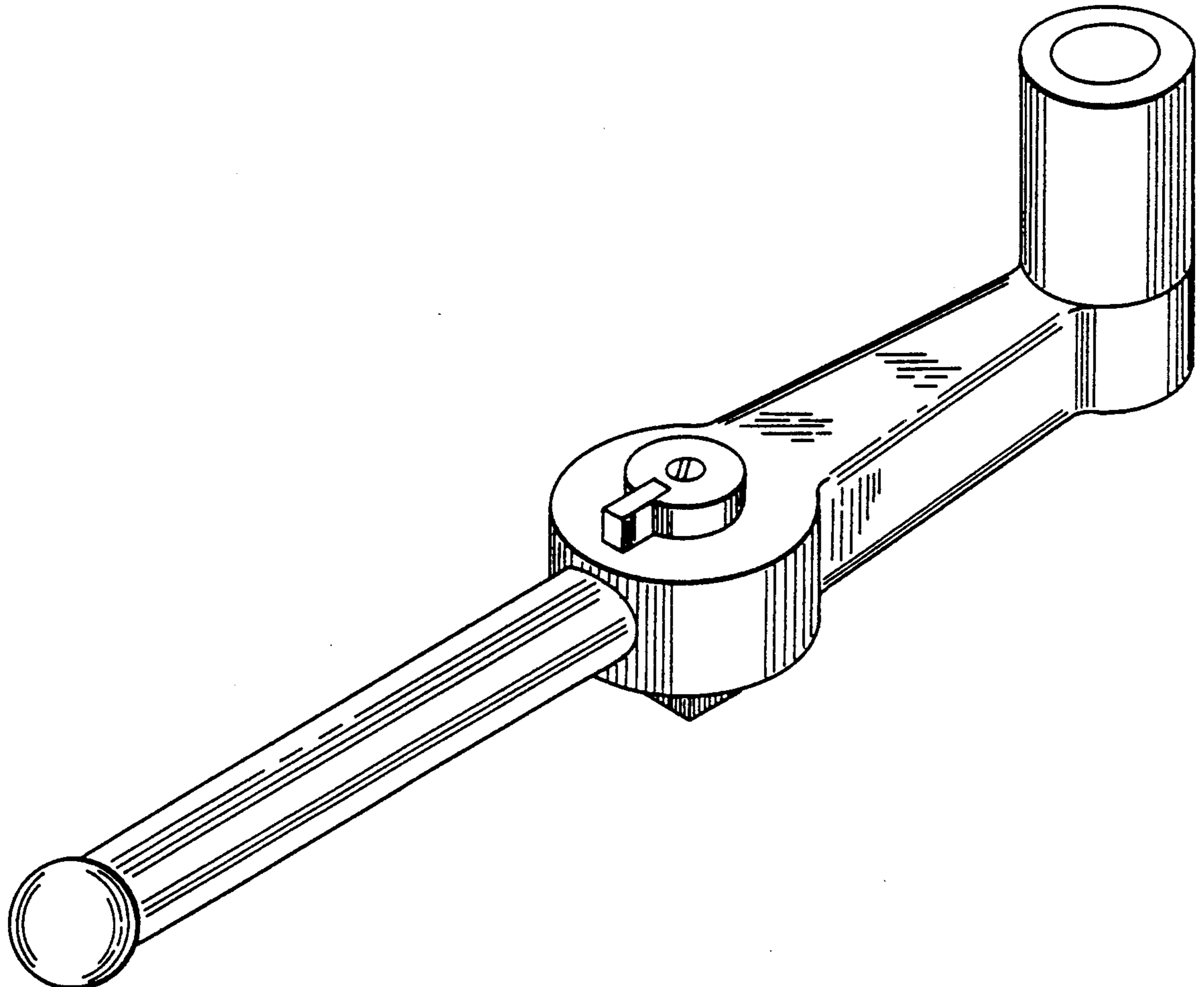
[56] References Cited

U.S. PATENT DOCUMENTS

D. 299,611	1/1989	Brainard	D8/25
3,533,315	10/1970	Maeda	D8/25 X
3,732,756	5/1973	Thomasian	81/62
4,004,666	1/1977	Hinojosa	D8/25 X
4,279,314	7/1981	Taub	81/62
4,300,413	11/1981	Garofalo	81/62
4,479,409	10/1984	Antonius	81/58.3

DESCRIPTION

FIG. 1 is a perspective view of a ratchet wrench showing my new design;
FIG. 2 is a top plan view thereof;
FIG. 3 is a left side elevational view thereof;
FIG. 4 is a rear elevational view thereof;
FIG. 5 is a front elevational view thereof; and
FIG. 6 is a bottom plan view thereof.



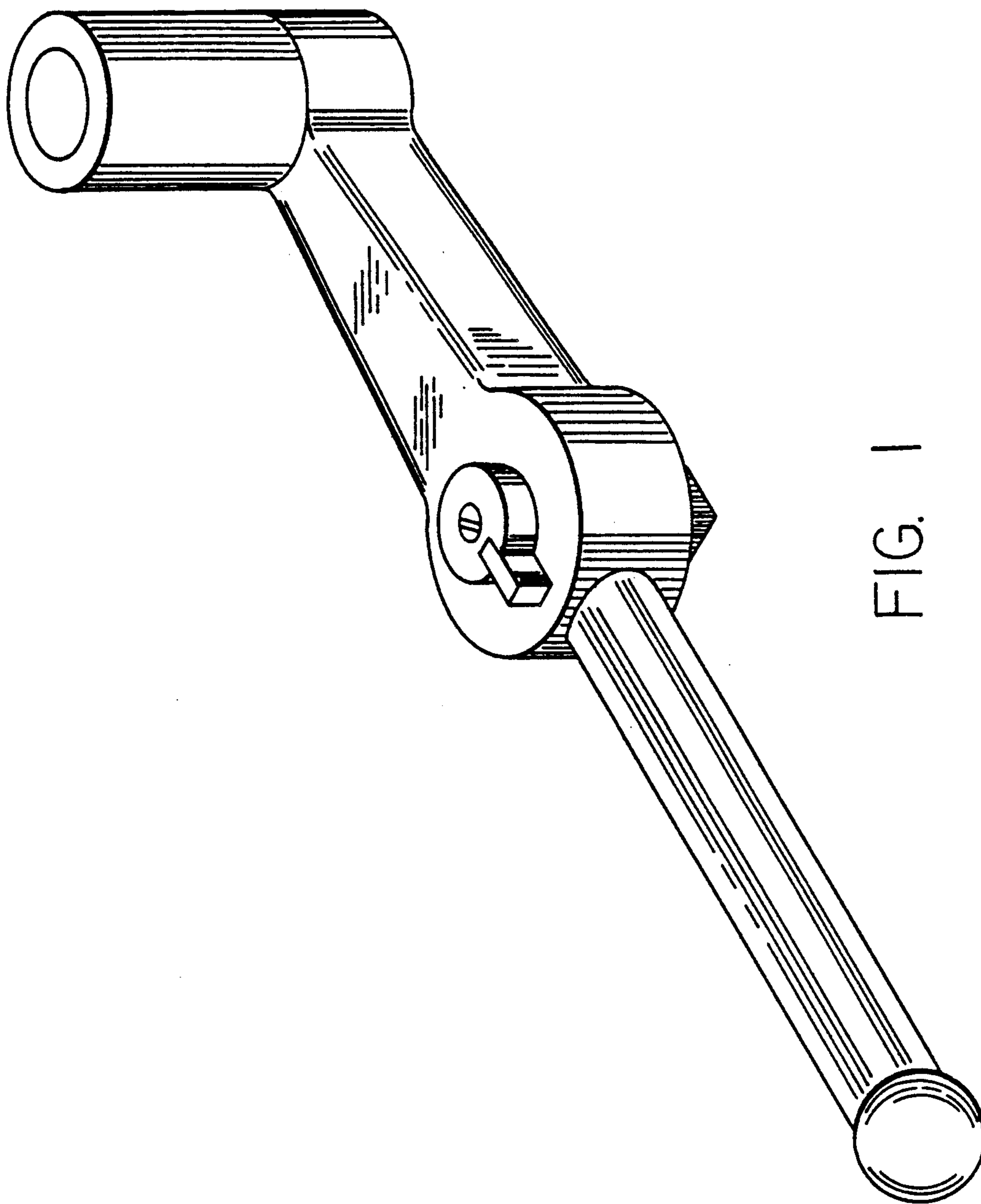


FIG. 1

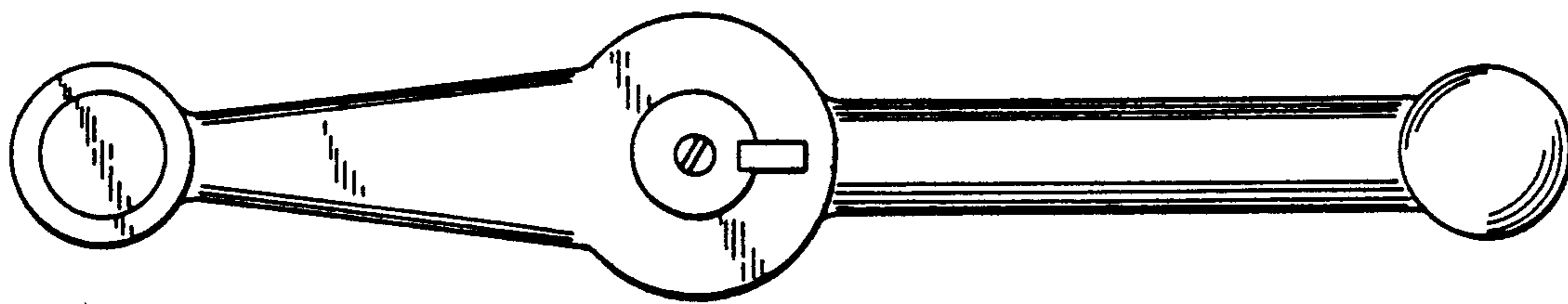


FIG. 2

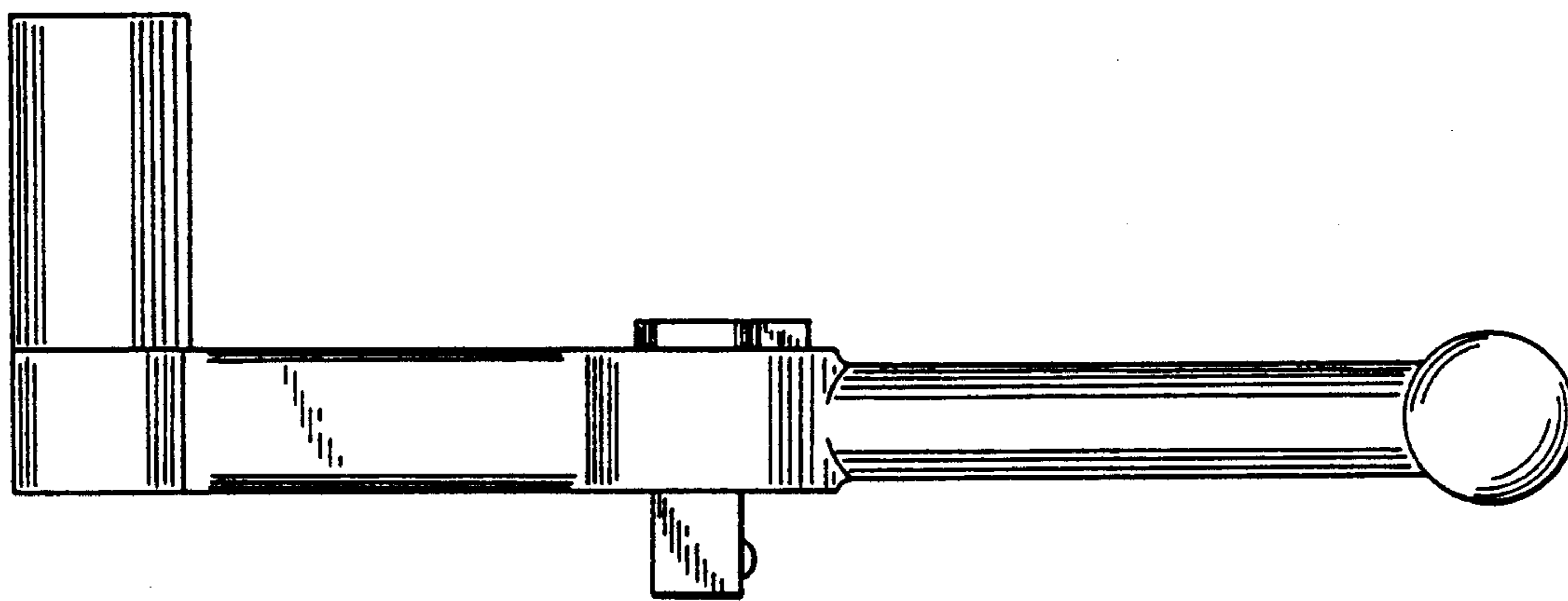


FIG. 3

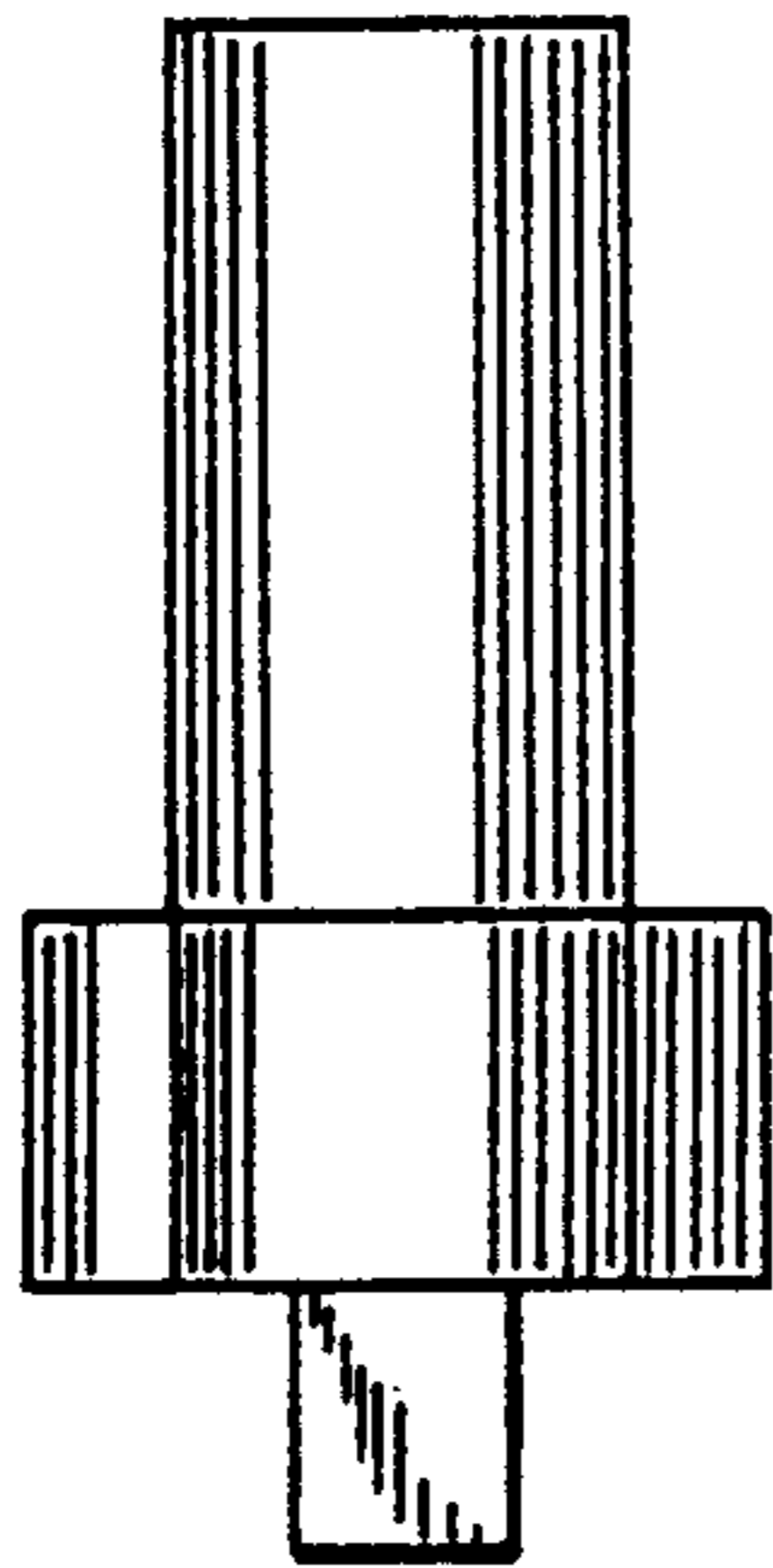


FIG. 4

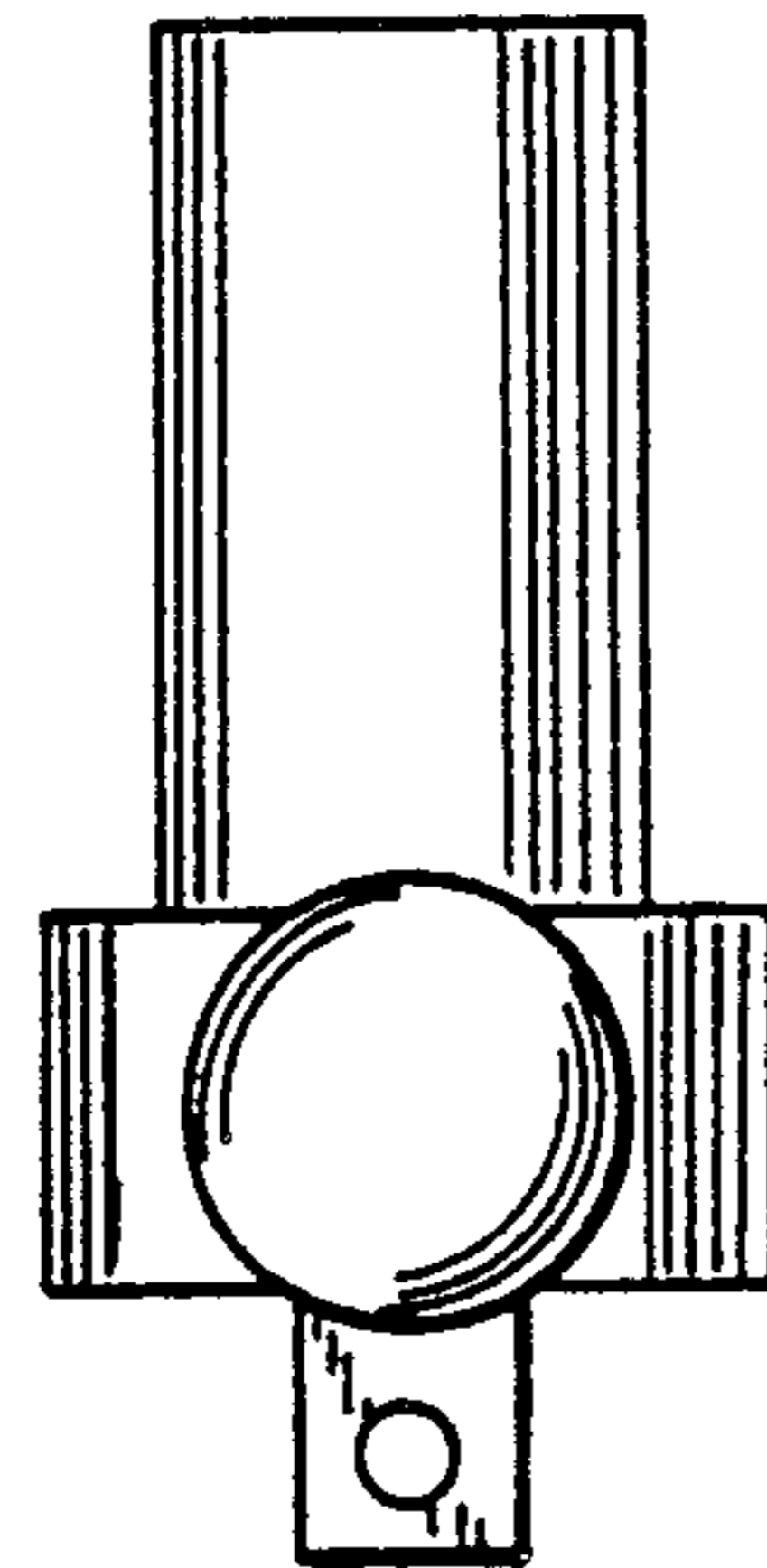


FIG. 5

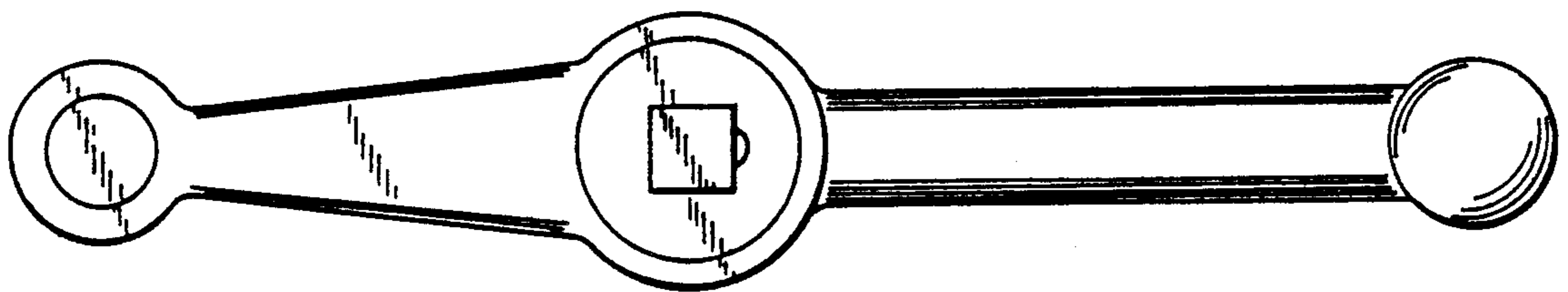


FIG. 6