

[54] PAIR OF HAND RAKES

[76] Inventor: Loren L. Licht, 6255 Veemac Ave., La Mesa, Calif. 92041

[\*\*] Term: 14 Years

[21] Appl. No.: 208,125

[22] Filed: Jun. 17, 1988

[52] U.S. Cl. .... D8/13

[58] Field of Search ..... D8/1, 3, 13; 56/400.01, 56/400.17-400.18, 400.2, 400.21; 294/25

[56] References Cited

U.S. PATENT DOCUMENTS

D. 243,438	2/1977	Batley	.....	D8/13 X
D. 270,611	9/1983	Check et al.	.....	D8/1 X
D. 281,852	8/1985	Poole	.....	D8/13
D. 297,101	8/1988	Licht	.....	D8/13
2,767,545	10/1956	Jenkins	.....	D8/13 X
2,836,032	5/1958	Melvin	.....	56/400.17
3,073,103	1/1963	Kikuchi	.....	56/400.18

Primary Examiner—Wallace R. Burke  
Assistant Examiner—Brian N. Vinson  
Attorney, Agent, or Firm—Brown, Martin, Haller & McClain

[57] CLAIM

The ornamental design for a pair of hand rakes, as shown and described.

DESCRIPTION

FIG. 1 is a perspective view of a pair of hand rakes showing my new design;

FIG. 2 is a side elevational view of the left-hand portion thereof, with the side opposite being substantially similar in appearance and the right-hand element being a mirror image thereof and omitted for clarity of illustration;

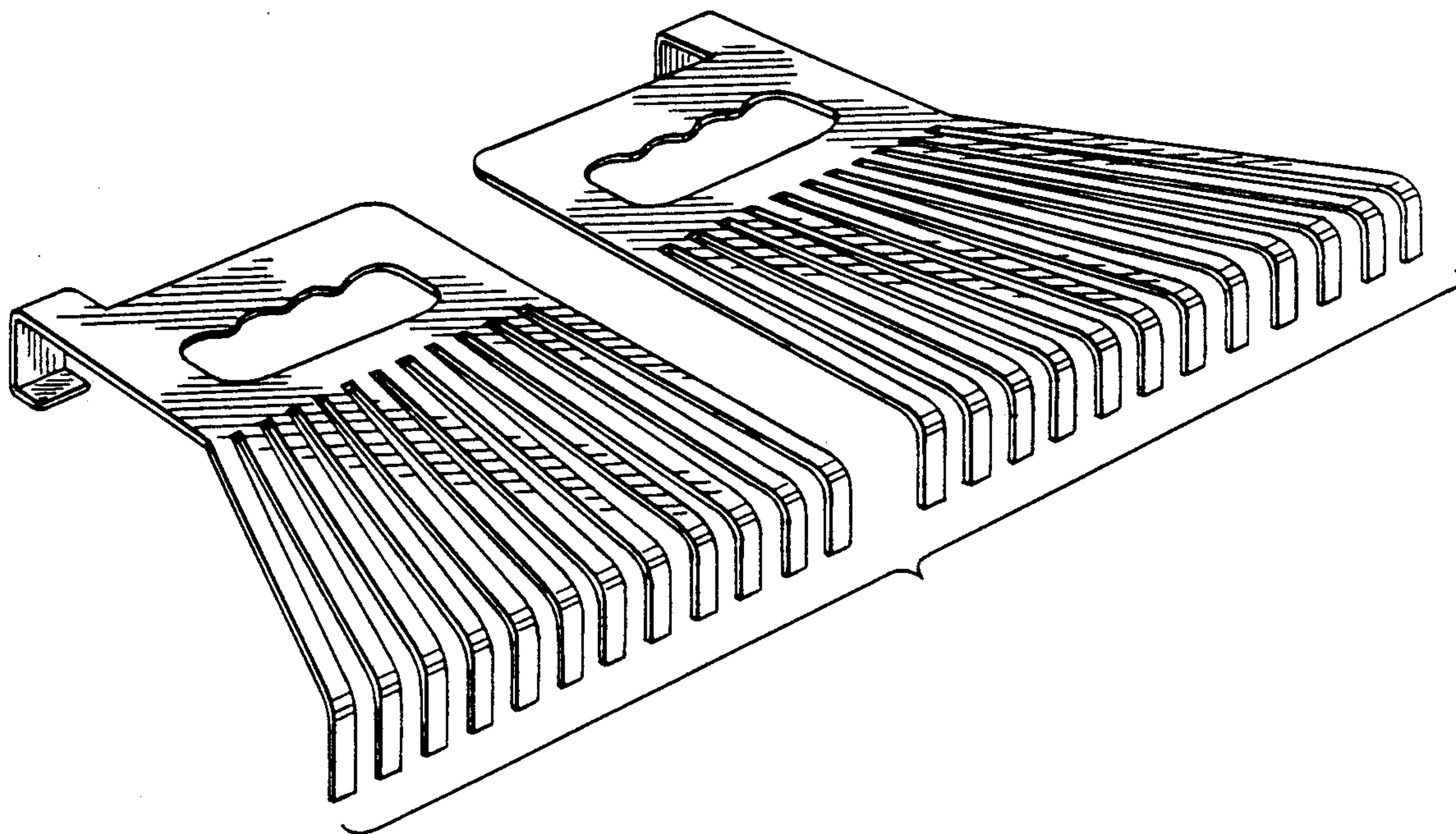
FIG. 3 is a bottom plan view of the left-hand portion thereof, with the right-hand portion being a mirror image of that shown and omitted for clarity of illustration;

FIG. 4 is a rear elevational view of the left-hand portion thereof, with the right-hand portion being a mirror image of that shown and omitted for clarity of illustration;

FIG. 5 is a top plan view of the left-hand portion of a second embodiment thereof, with the right-hand portion being a mirror image of that shown and omitted for clarity of illustration, the only difference residing in the prong configuration;

FIG. 6 is a top plan view of the left-hand portion of a third embodiment thereof, with the right-hand portion being a mirror image of that shown and omitted for clarity of illustration, the only difference residing in the prong configuration; and

FIG. 7 is a top plan view of the right-hand portion of a fourth embodiment thereof, with the left-hand portion being a mirror image of that shown and omitted for clarity of illustration, the only difference residing in the prong configuration.



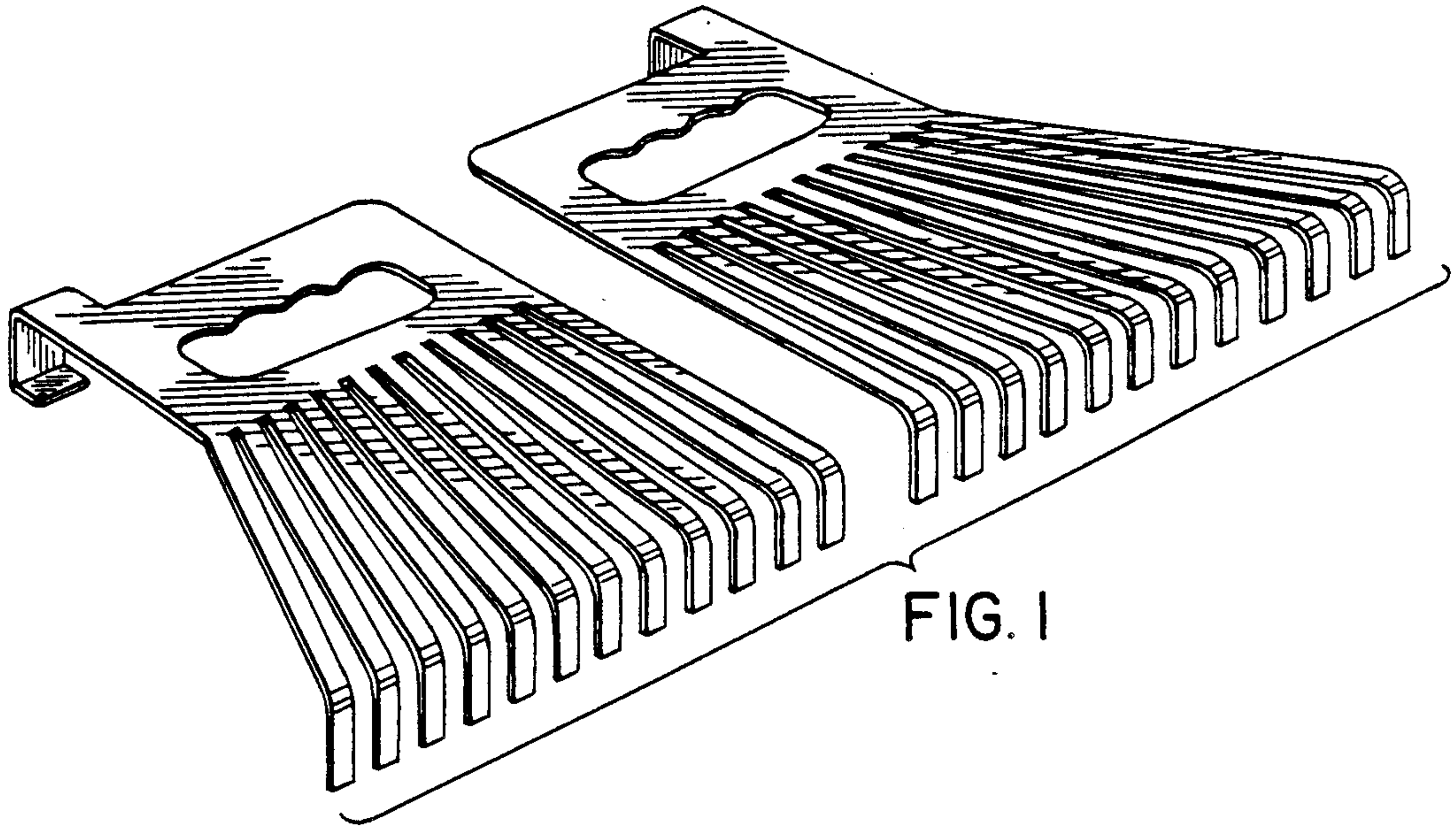


FIG. 1

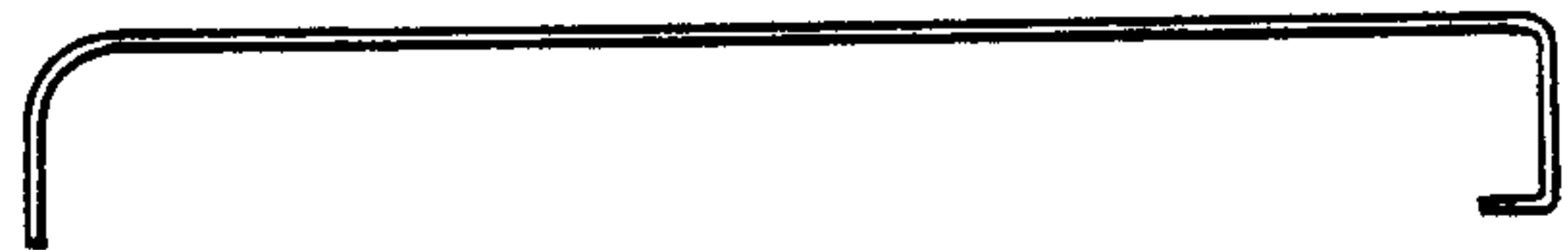


FIG. 2

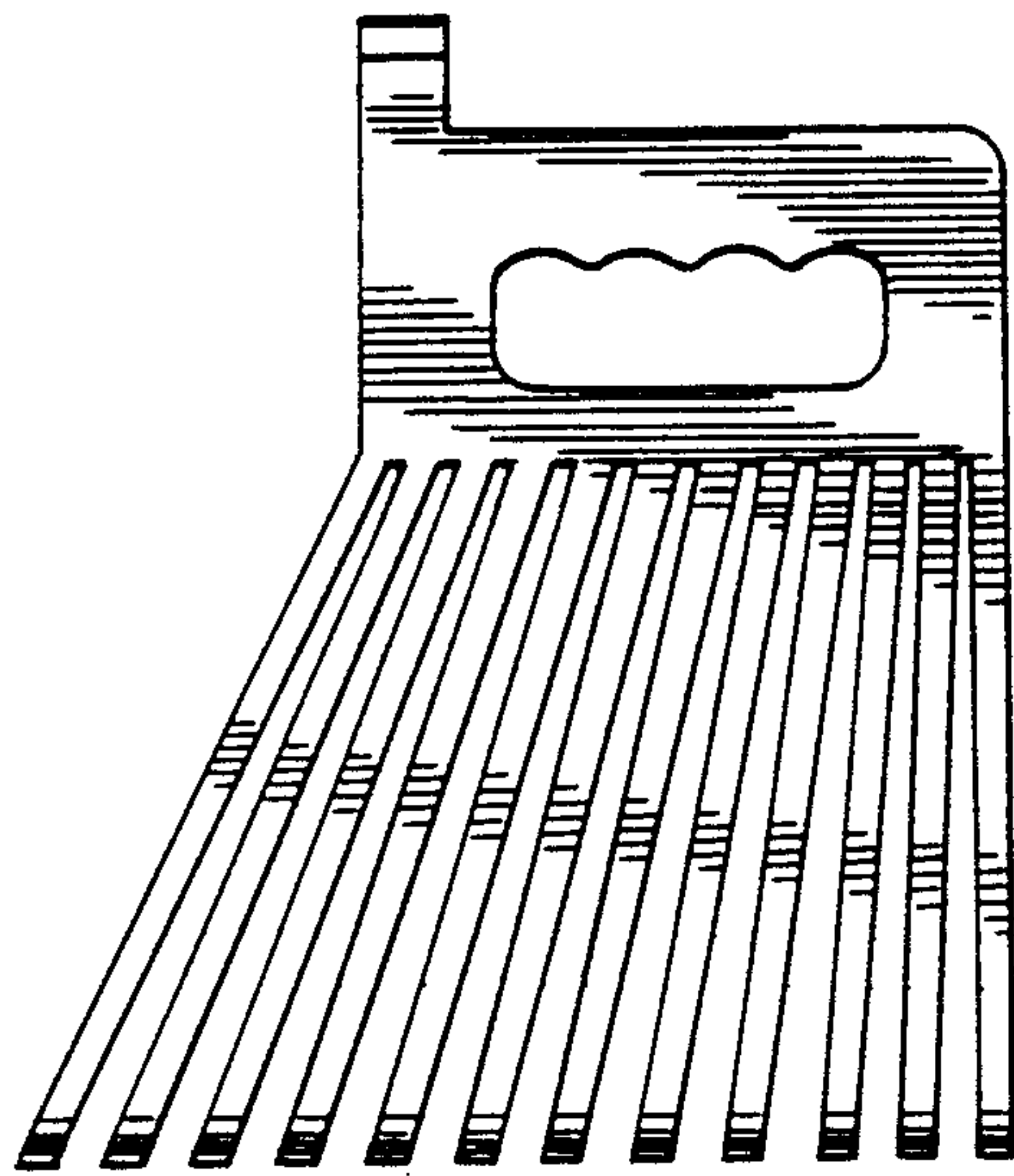


FIG. 3

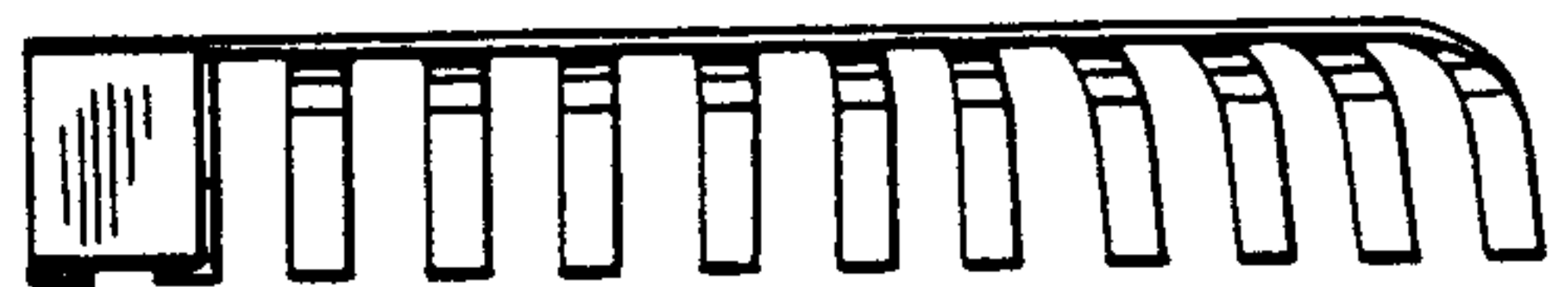


FIG. 4



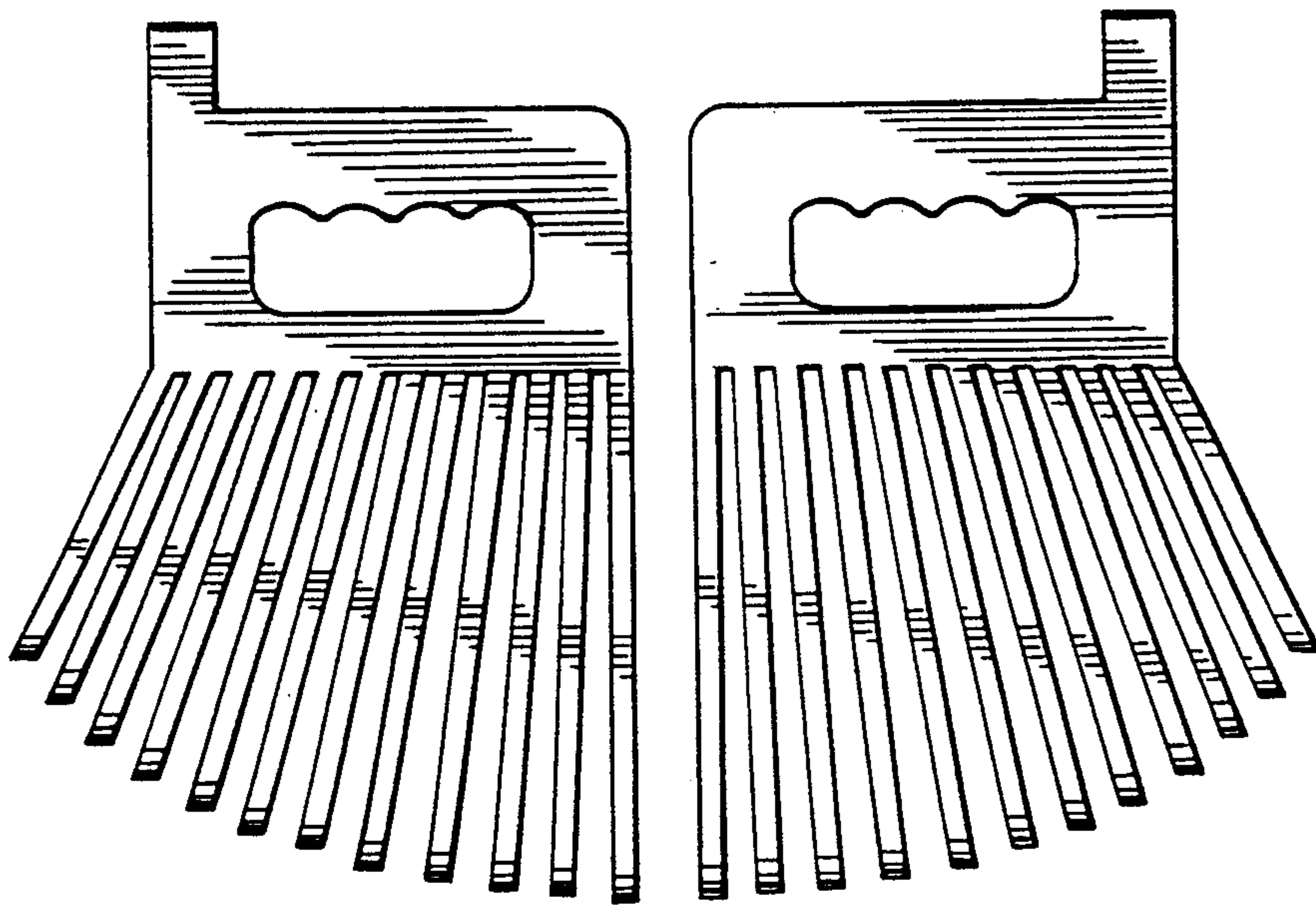


FIG. 5

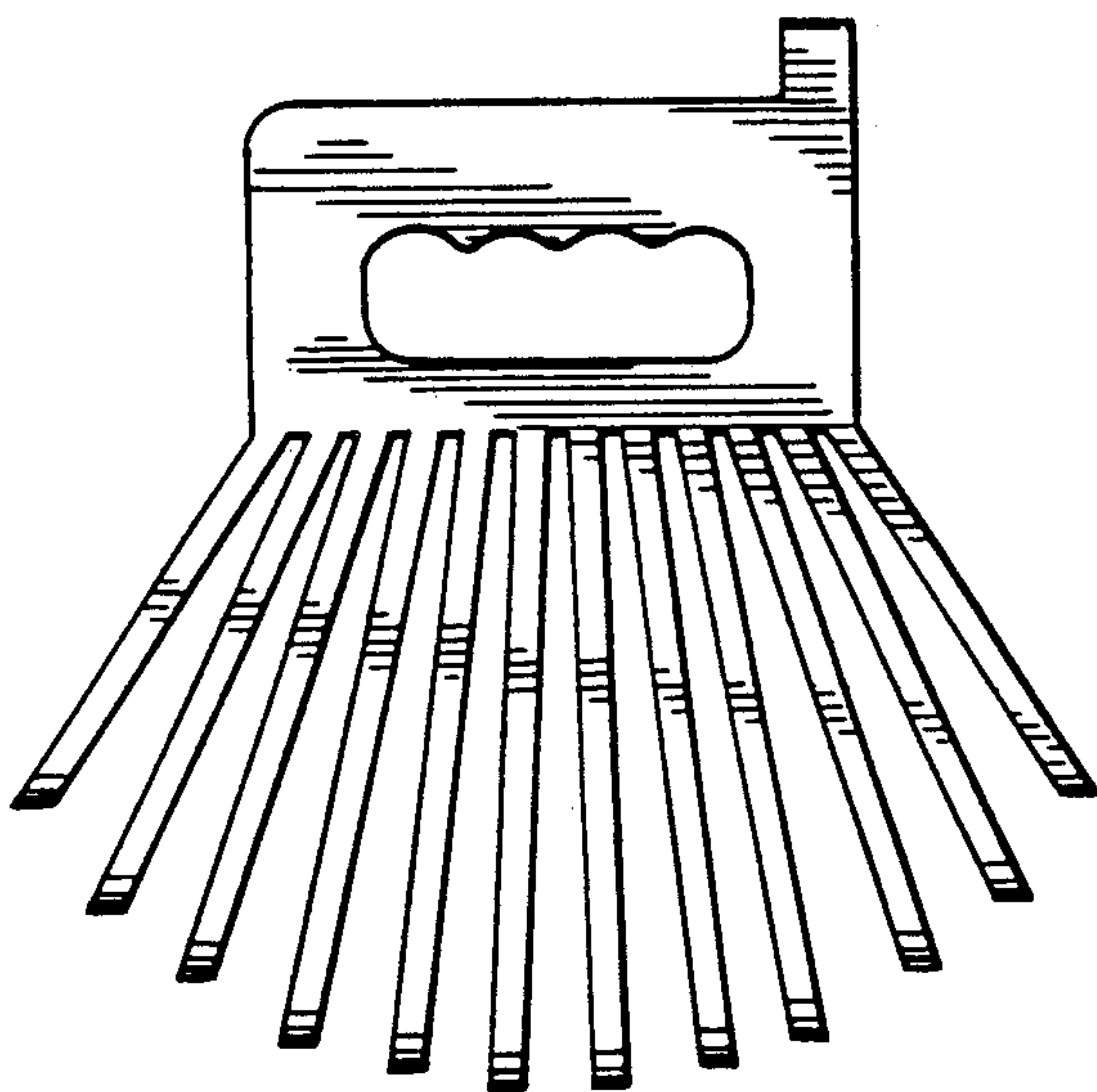


FIG. 6

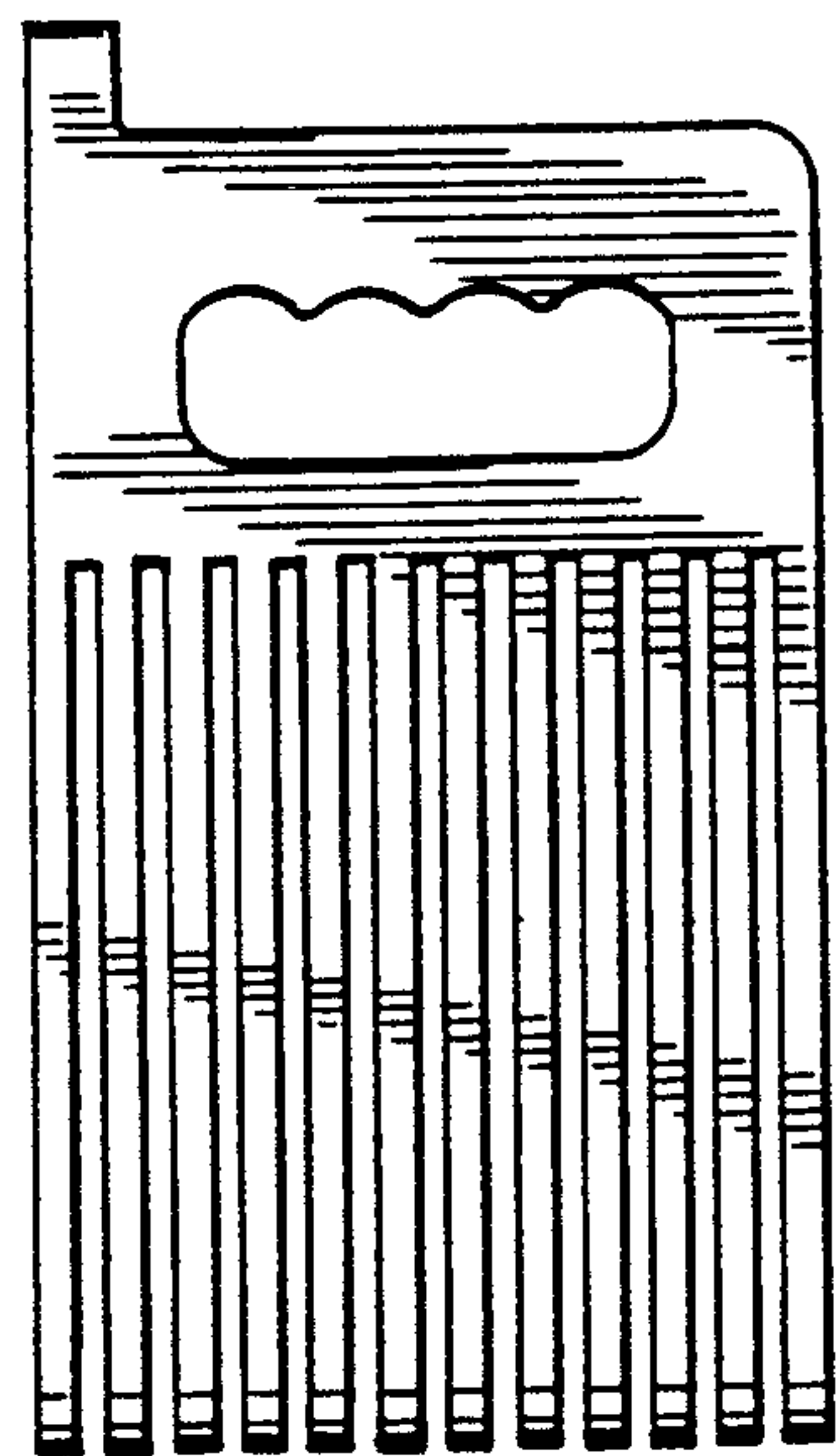


FIG. 7