

[54] ICE CREAM DISPENSING DEVICE OR SIMILAR ARTICLE

[76] Inventor: Kelley O. Adams, 405 E. Carson Dr., Tempe, Ariz. 85282

[**] Term: 14 Years

[21] Appl. No.: 465,005

[22] Filed: Jan. 16, 1990

Related U.S. Application Data

[62] Division of Ser. No. 126,293, Nov. 27, 1987, Pat. No. D. 309,699.

[52] U.S. Cl. D7/681

[58] Field of Search D7/43, 104; 425/165, 425/281, 286, 279; 30/130

[56] References Cited

U.S. PATENT DOCUMENTS

1,712,317 5/1929 Truesdell .

1,721,045 7/1929 Martineau .

2,786,429 3/1957 Barry .

4,309,162 1/1982 Parker .

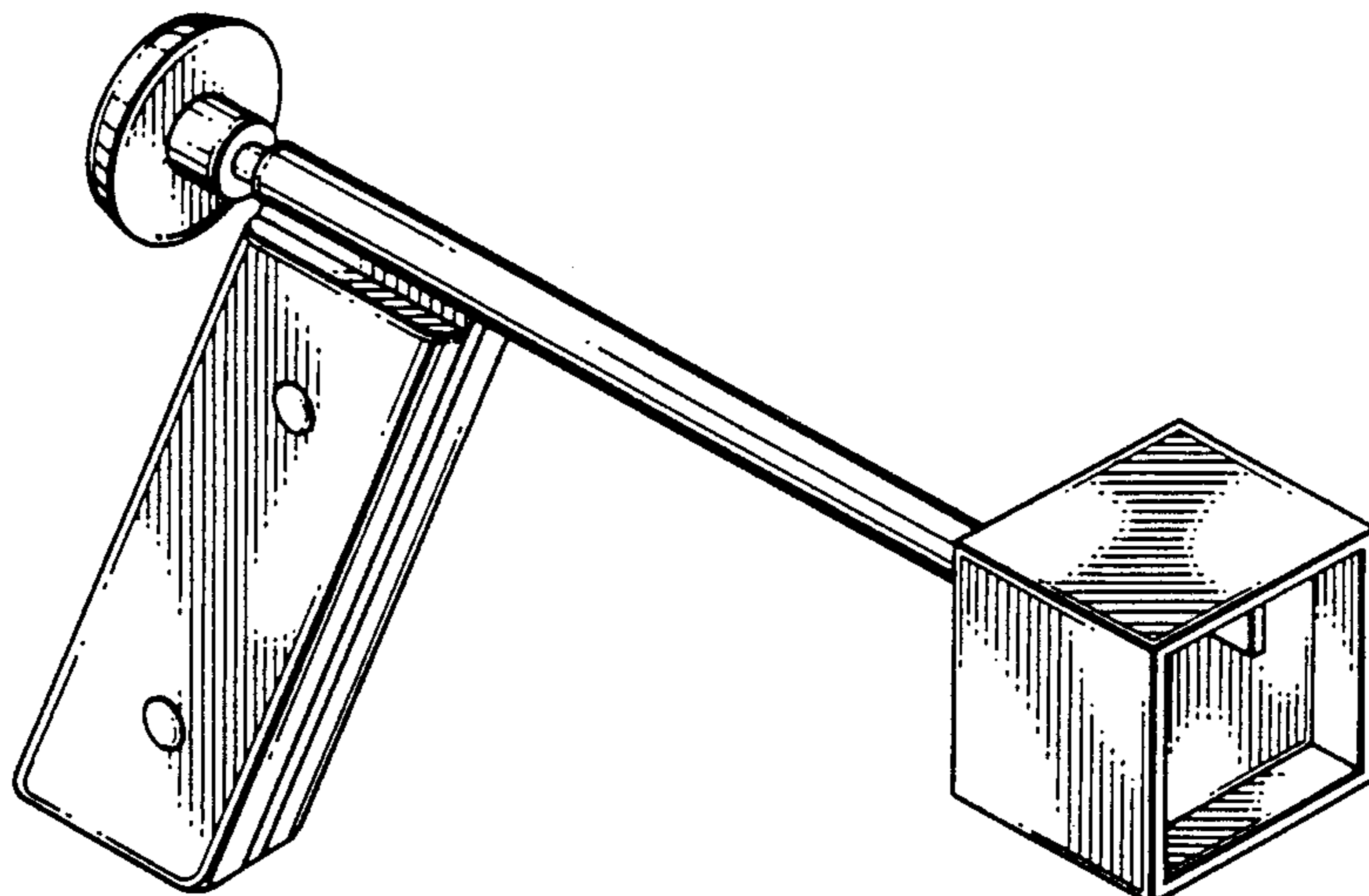
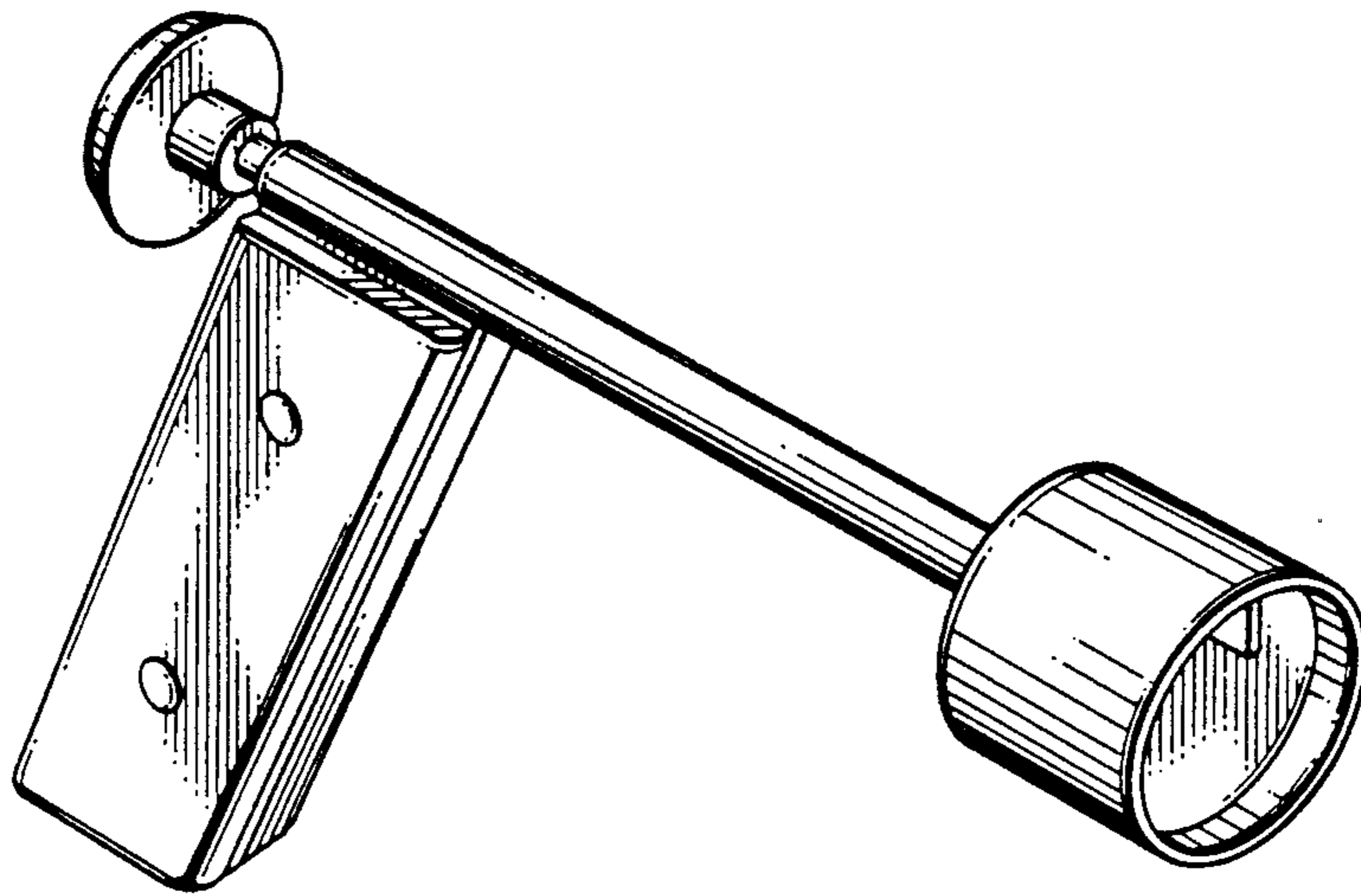
Primary Examiner—Bernard Ansher
Assistant Examiner—Terry A. Pfeffer
Attorney, Agent, or Firm—Don J. Flickinger; Jordan M. Meschkow

[57] CLAIM

The ornamental design for an ice cream dispensing device or similar article, as shown and described.

DESCRIPTION

FIG. 1 is a perspective view of an ice cream dispensing device or similar article showing my new design; FIG. 2 is a left side elevational view thereof, the opposite side being a mirror image; FIG. 3 is a top plan view thereof; FIG. 4 is a bottom plan view thereof; FIG. 5 is a front elevational view thereof; FIG. 6 is a rear elevational view thereof; FIG. 7 is a perspective view of an alternate embodiment of that shown in FIG. 1; FIG. 8 is a left side elevational view of FIG. 7, the opposite side being a mirror image; FIG. 9 is a top plan view of FIG. 7; FIG. 10 is a bottom plan view of FIG. 7; FIG. 11 is a front elevational view of FIG. 7; and FIG. 12 is a rear elevational view of FIG. 7.



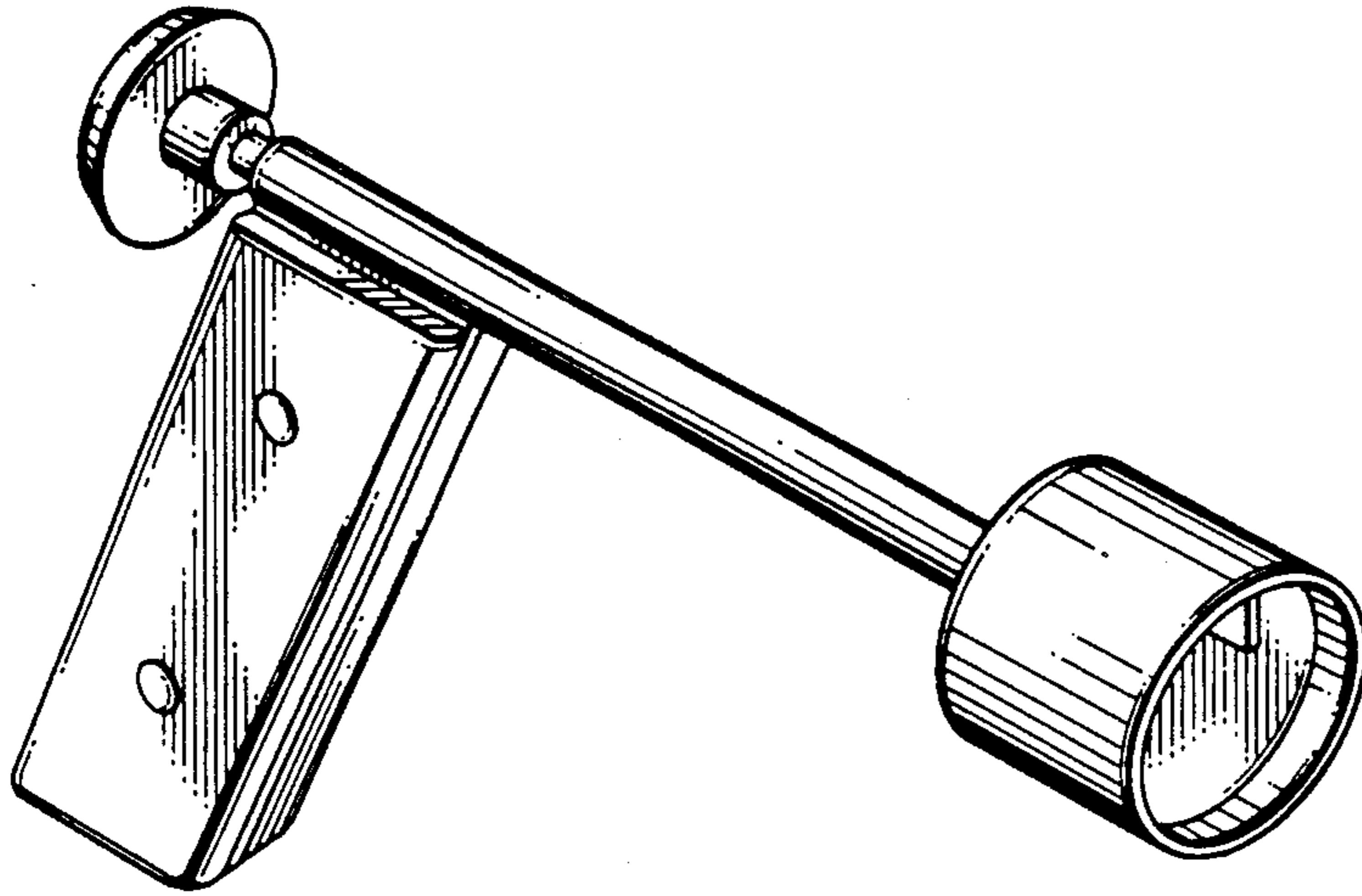


FIG. 1

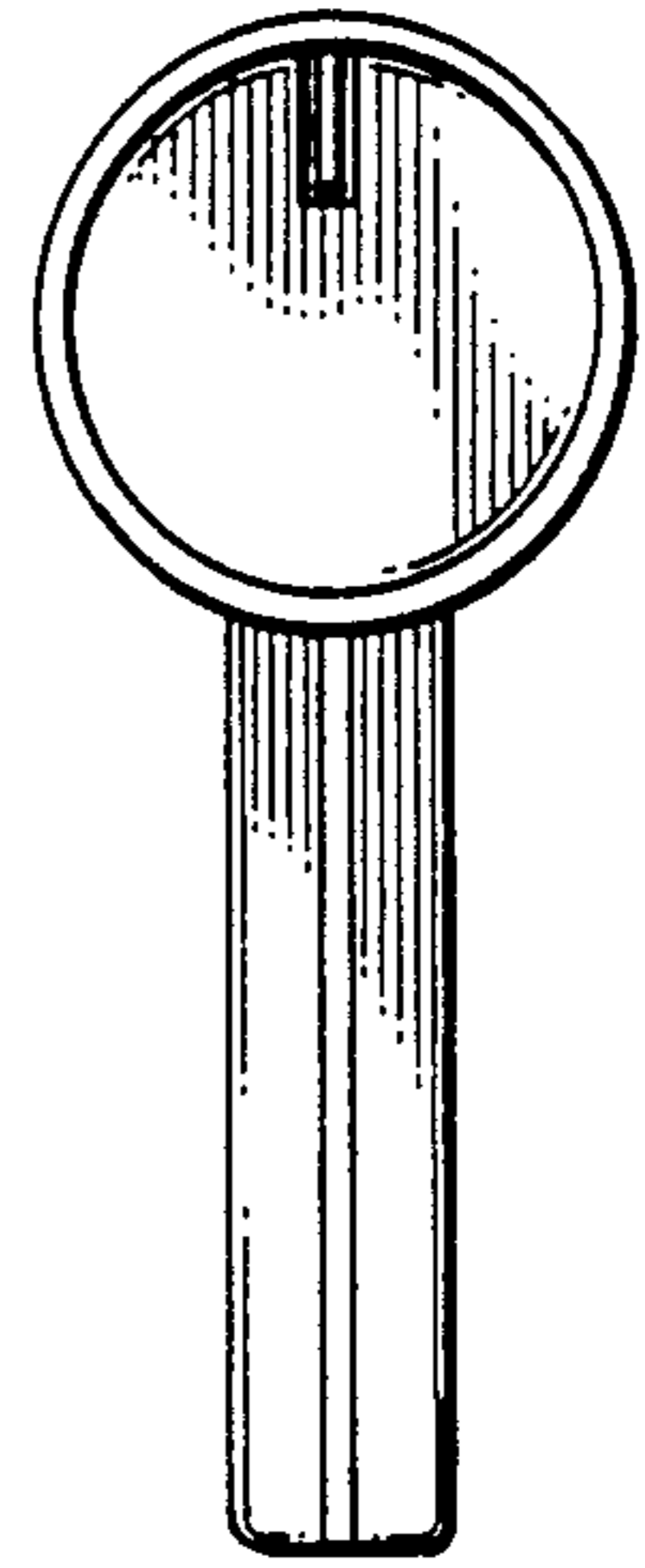


FIG. 5

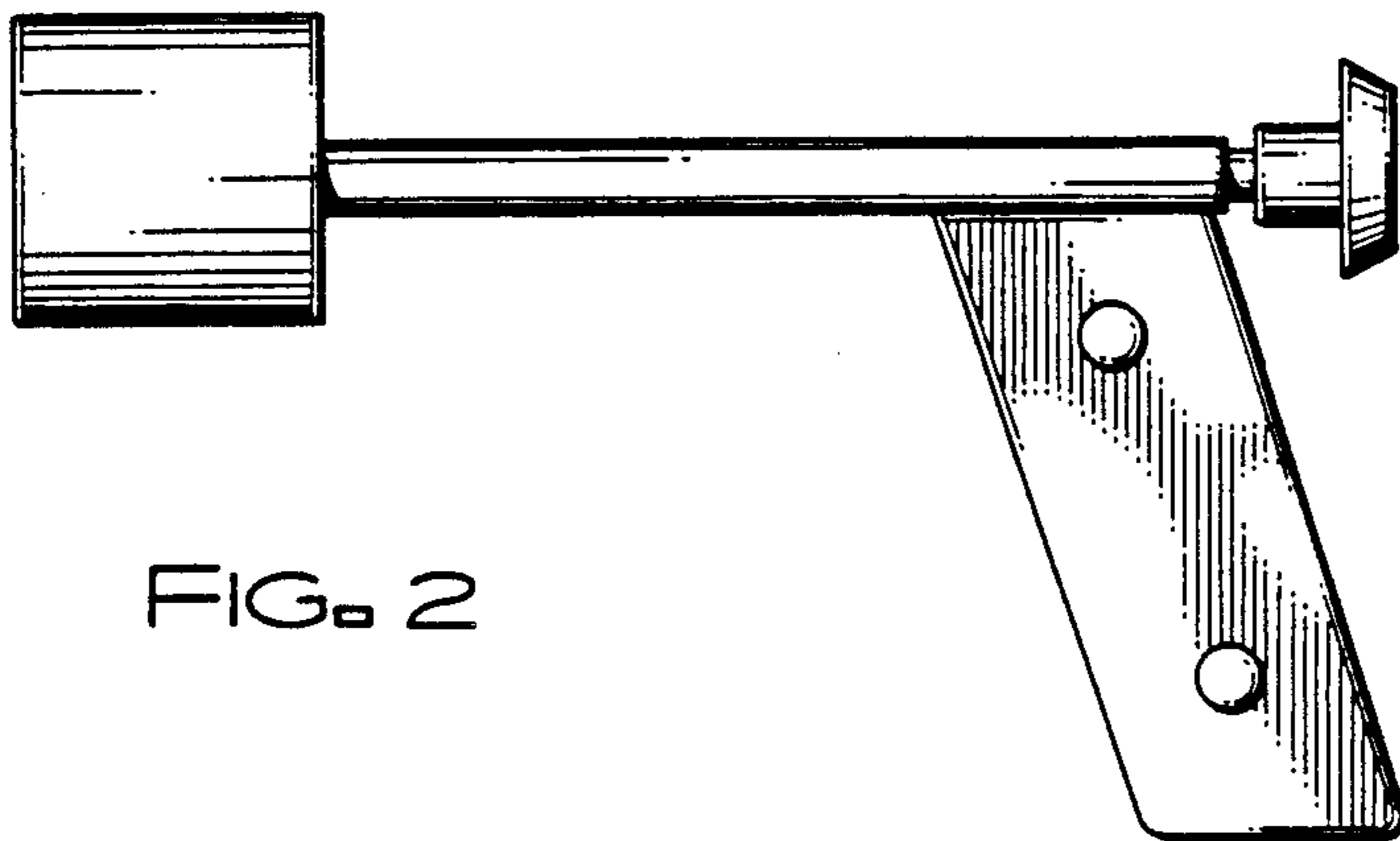


FIG. 2

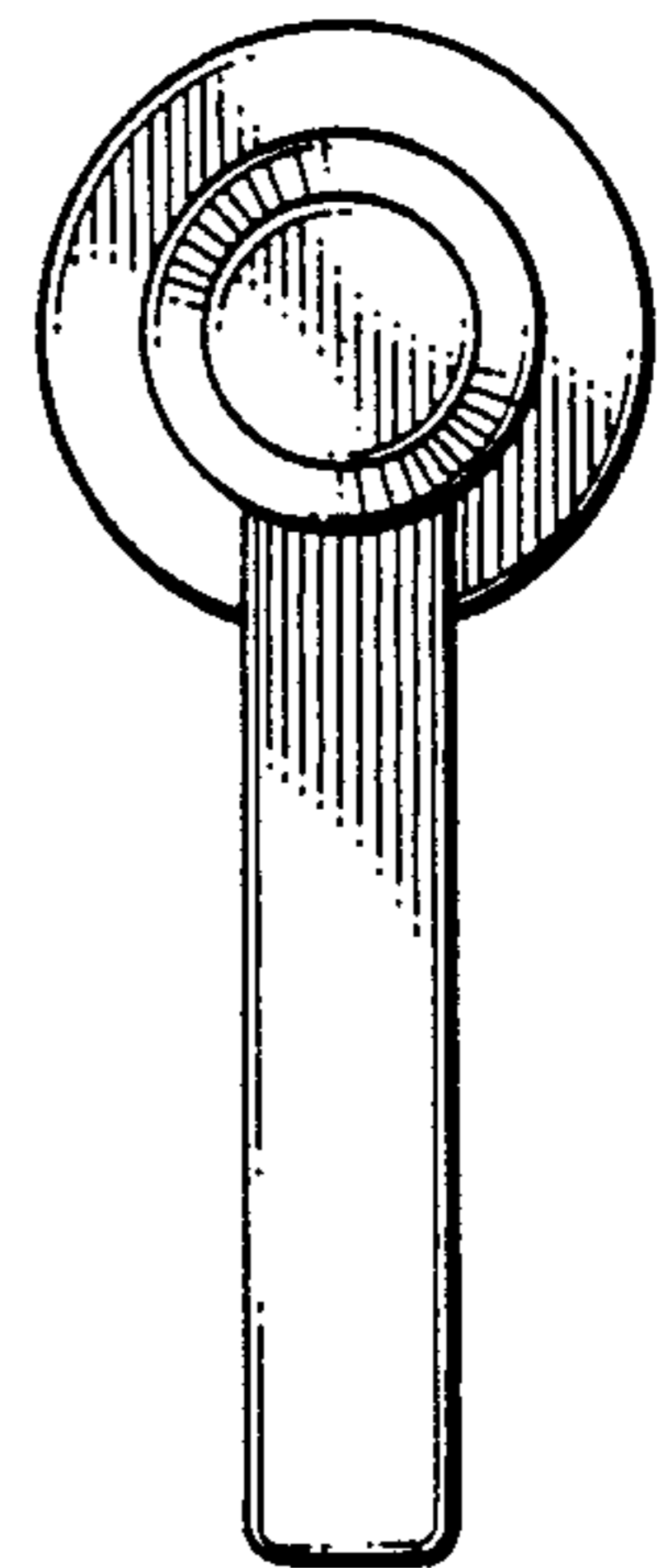


FIG. 6

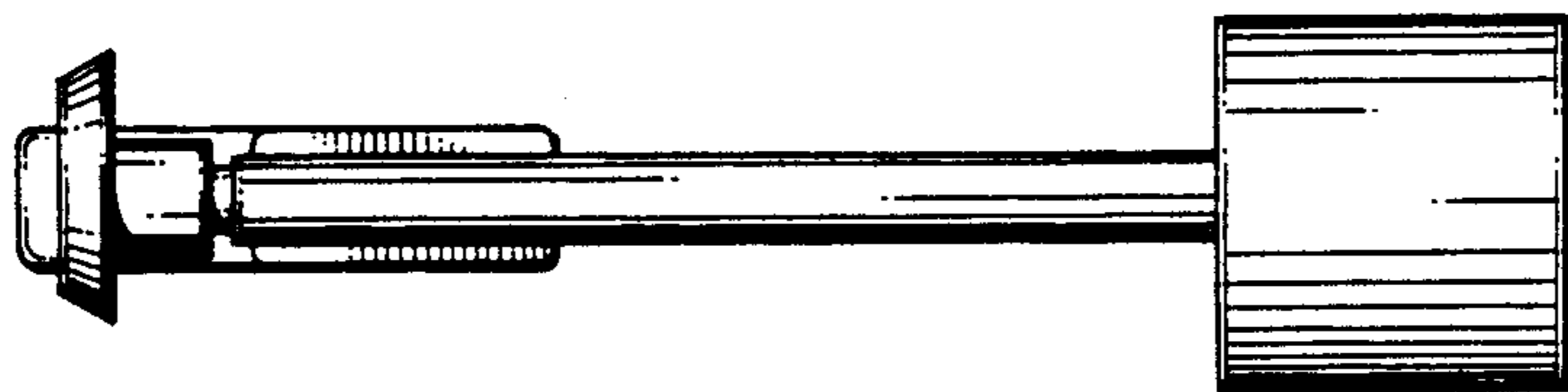
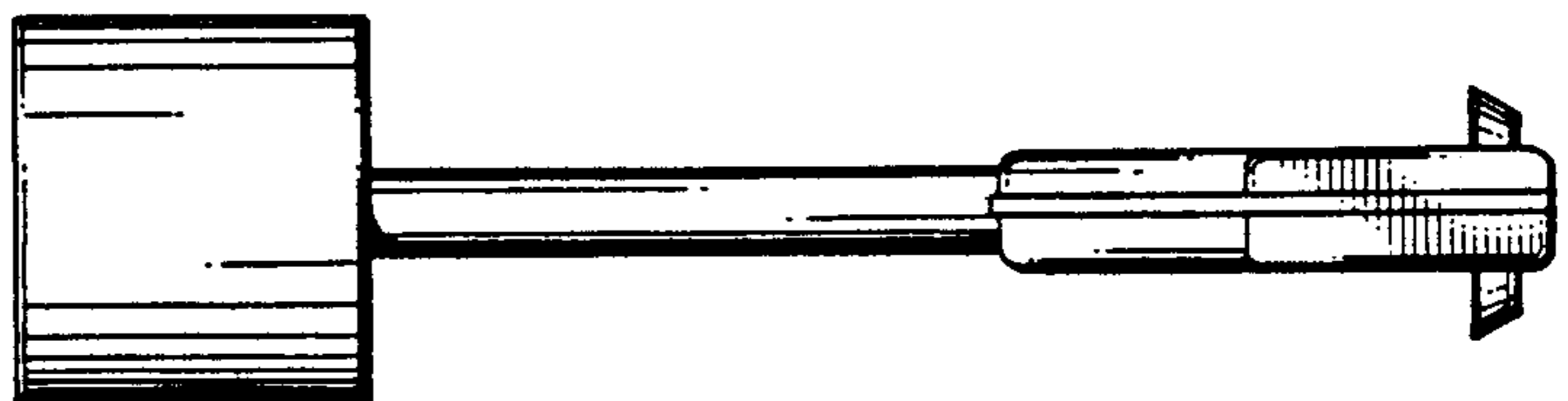


FIG. 3

FIG. 4



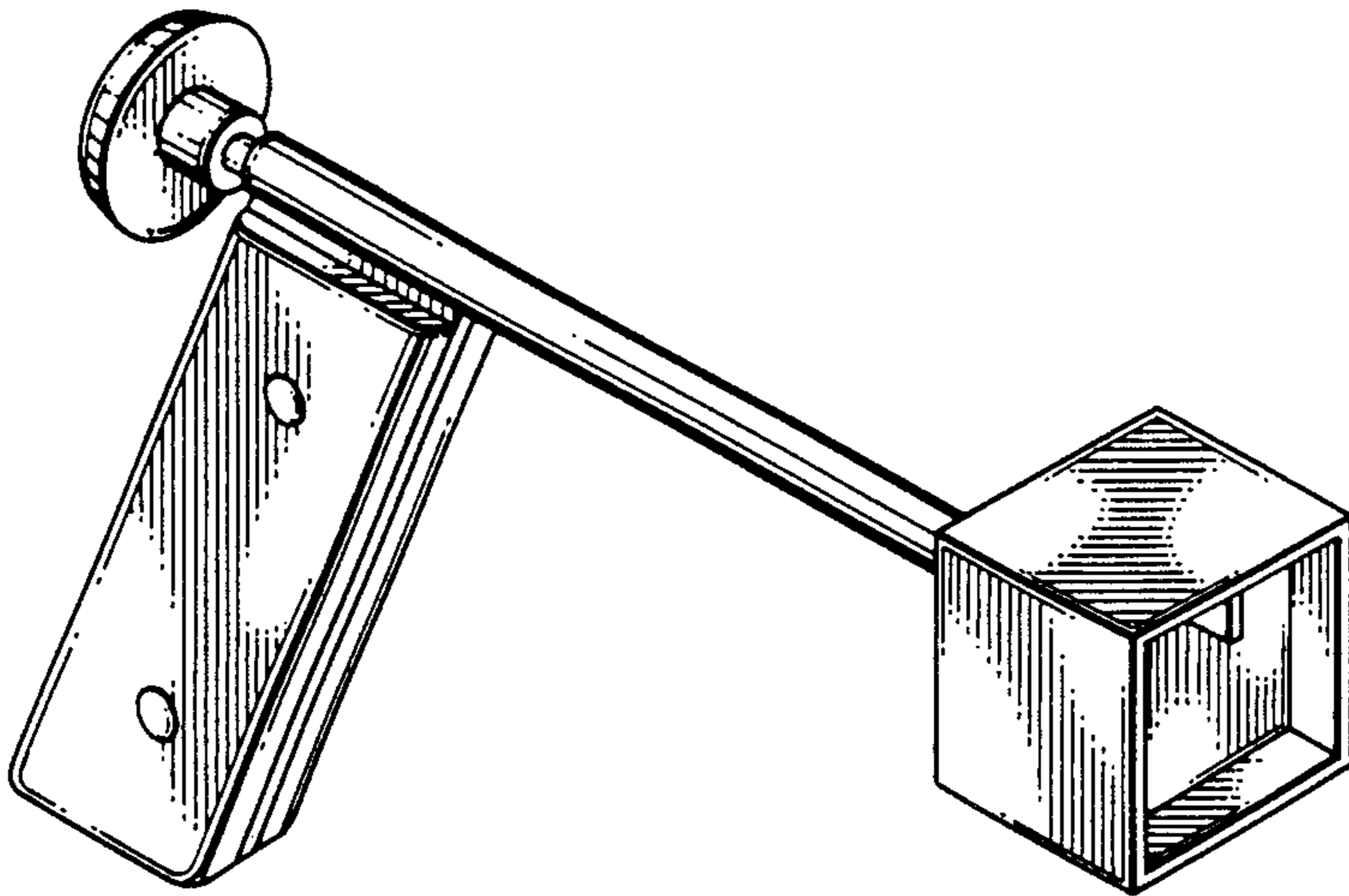


FIG. 7

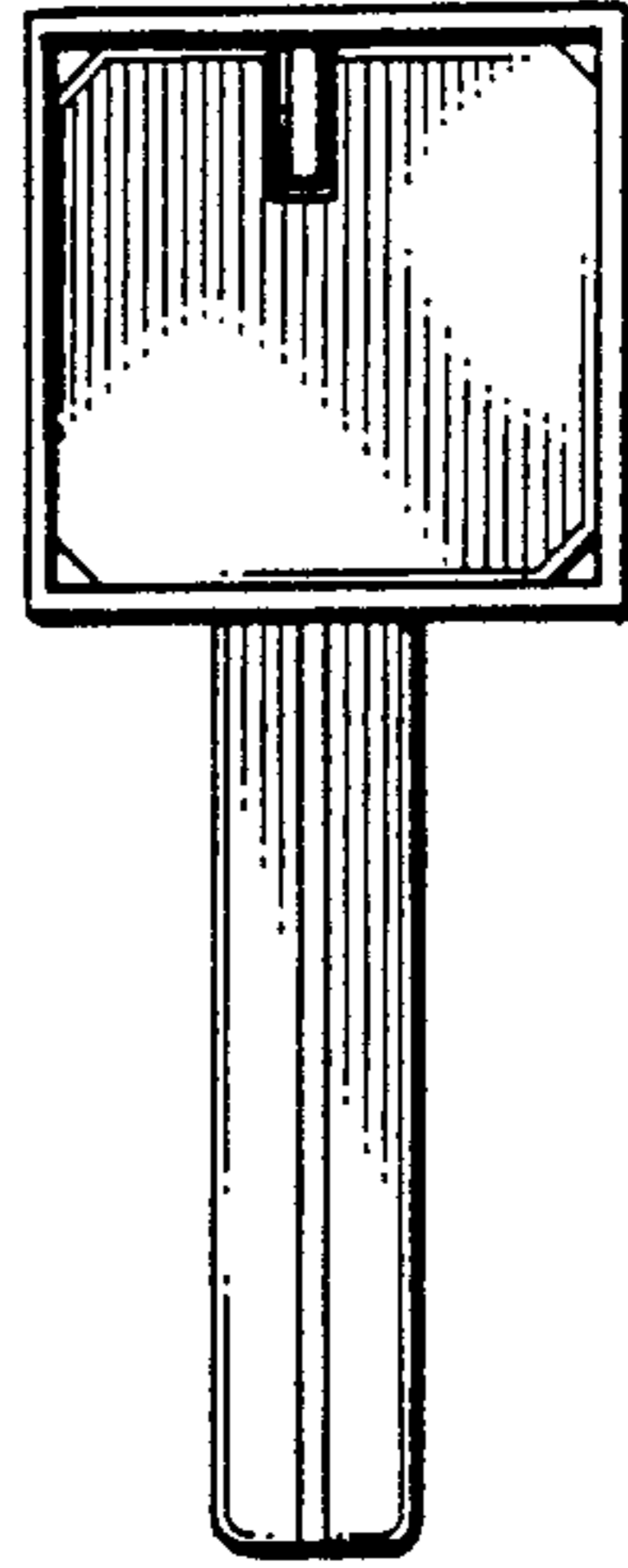


FIG. 11

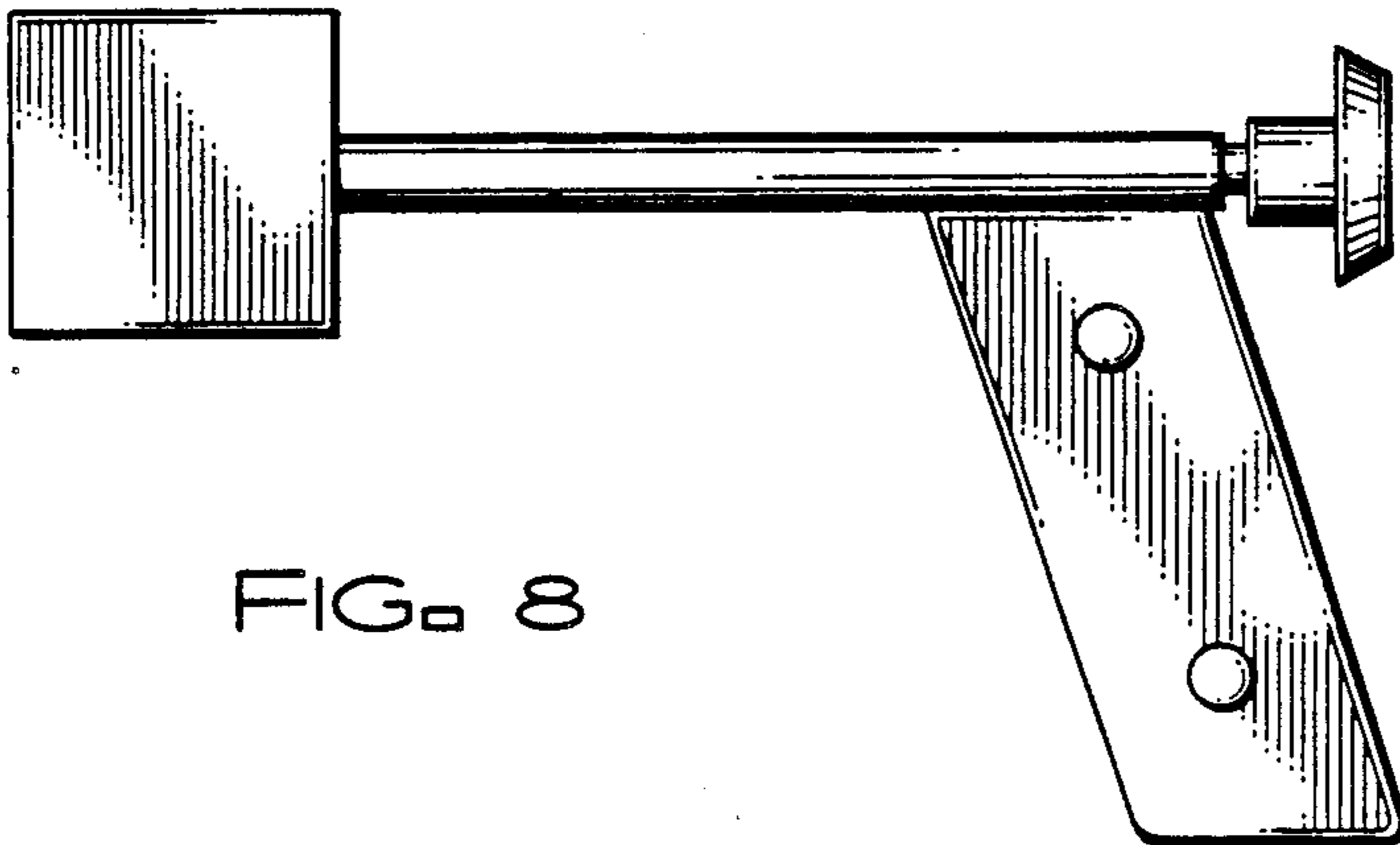


FIG. 8

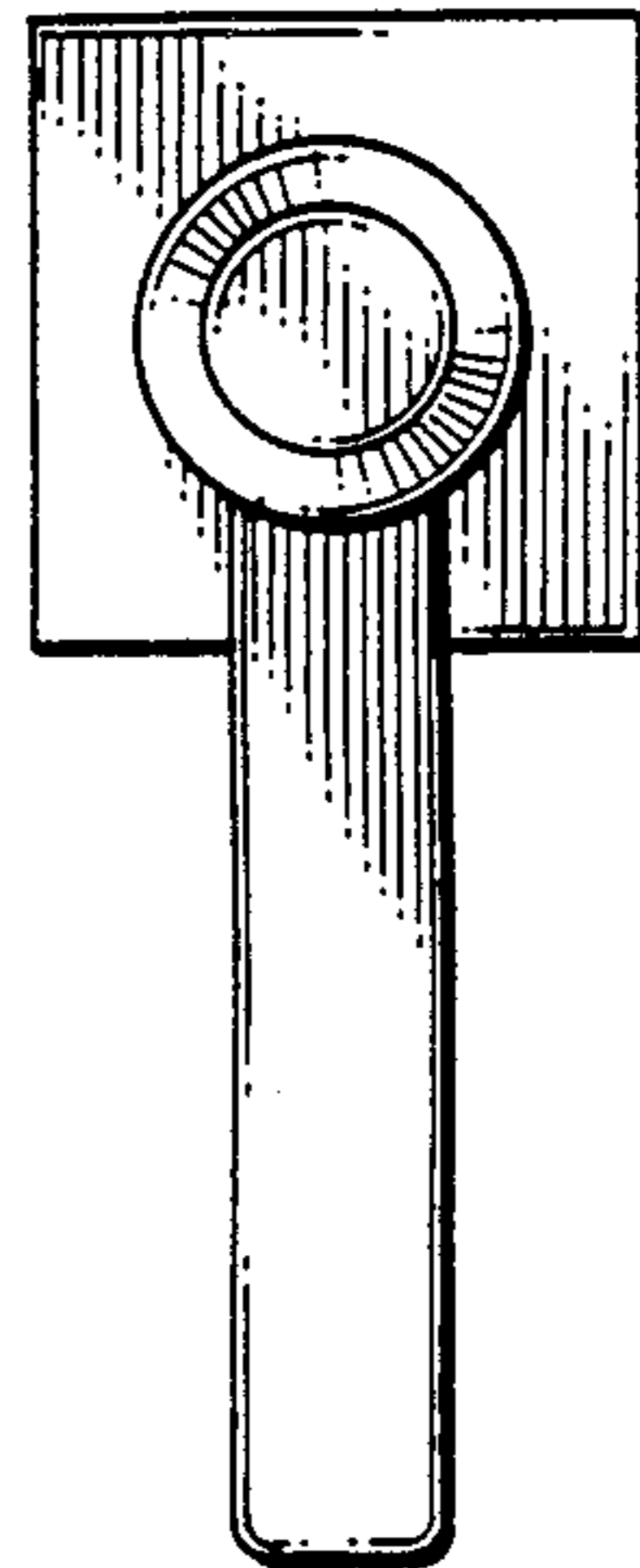


FIG. 12

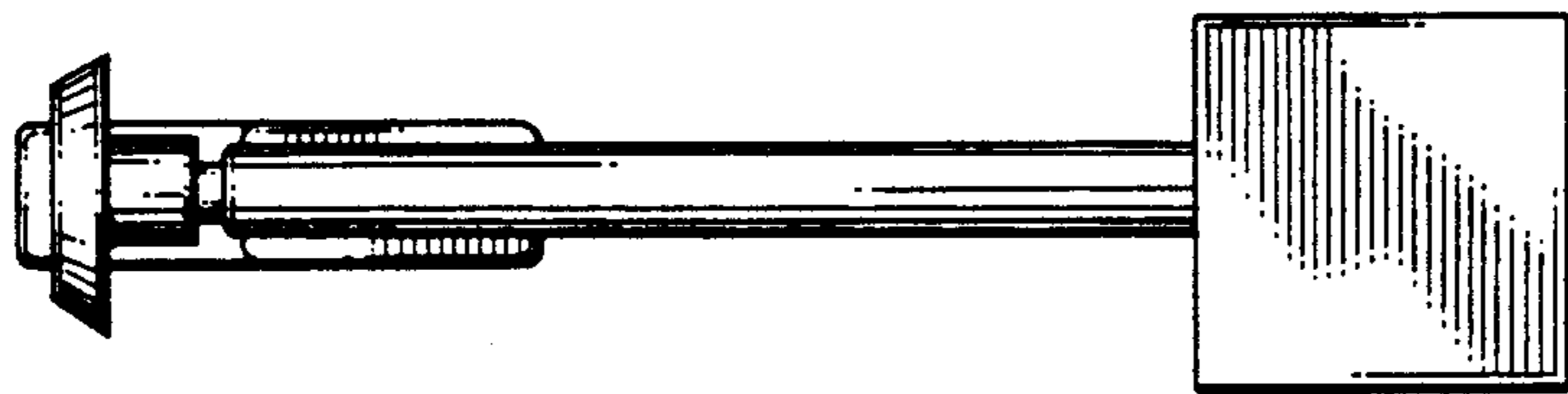


FIG. 9

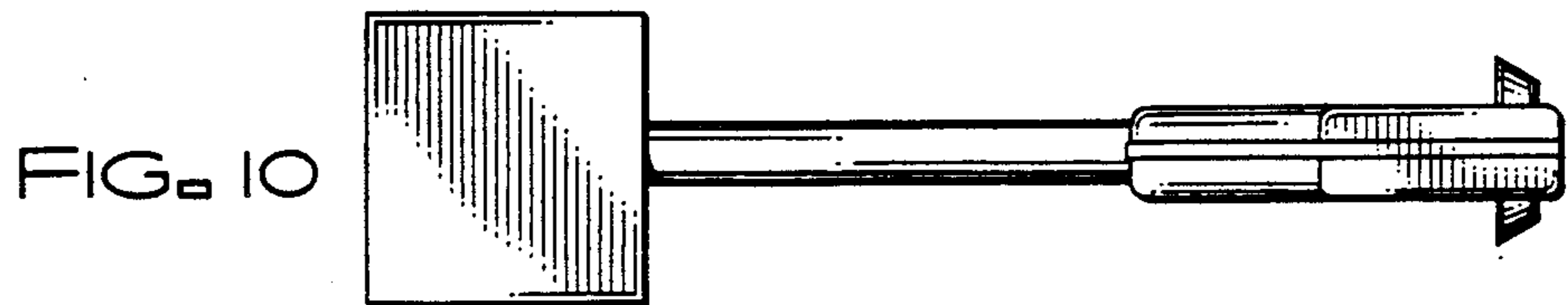


FIG. 10