

[54] VACUUM BOTTLE CADDY

D. 295,710 5/1988 Hero D7/70 X

[76] Inventor: Charles A. Rankin, 185 Nocona Dr., Nocona, Tex. 76255

Primary Examiner—Bernard Ansher
Assistant Examiner—Terry A. Pfeffer
Attorney, Agent, or Firm—Jerry T. Kearns

[**] Term: 14 Years

[57] CLAIM

[21] Appl. No.: 254,788

The ornamental design for a vacuum bottle caddy, as shown and described.

[22] Filed: Oct. 7, 1988

[52] U.S. Cl. D7/605; D7/620

DESCRIPTION

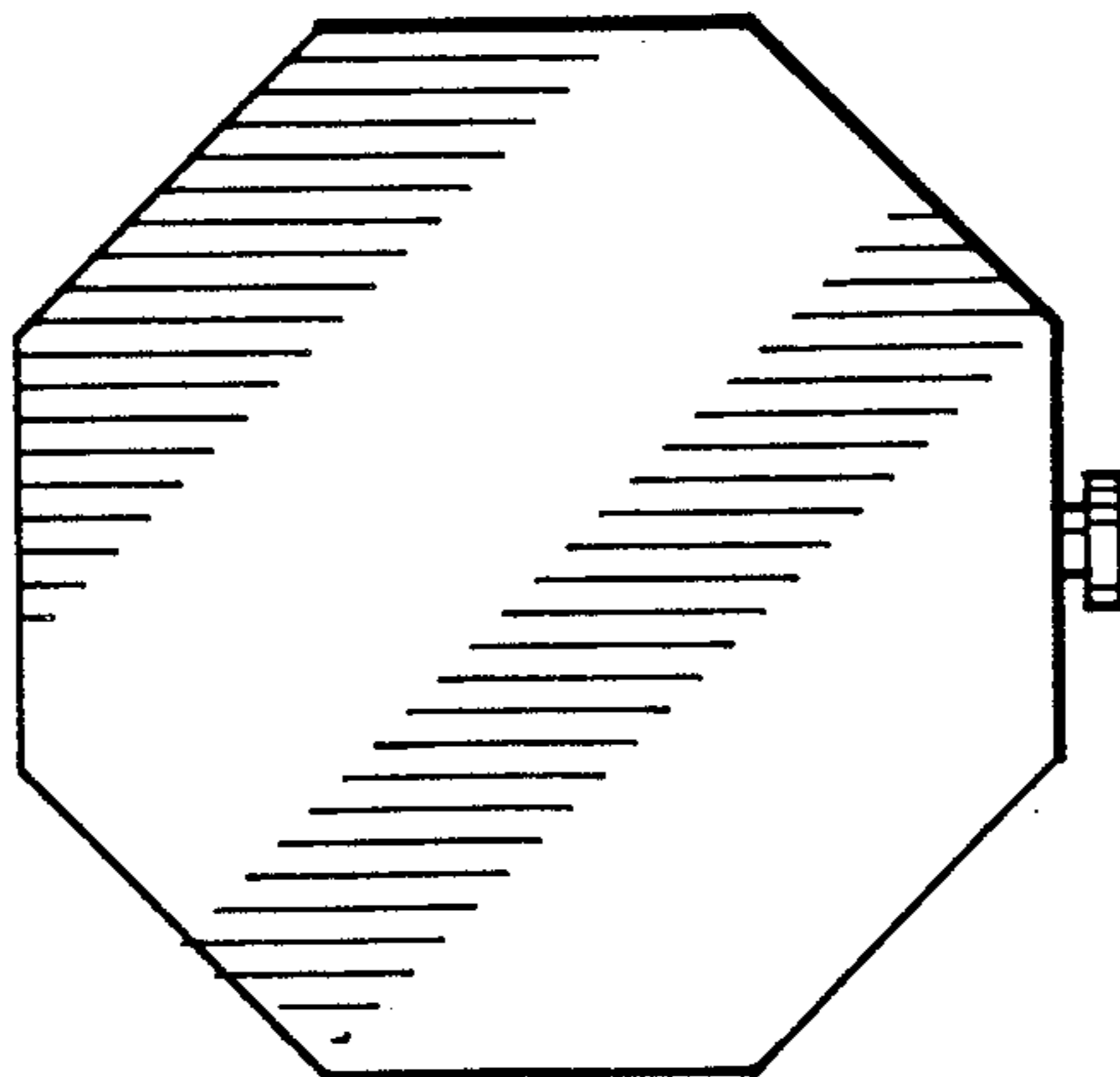
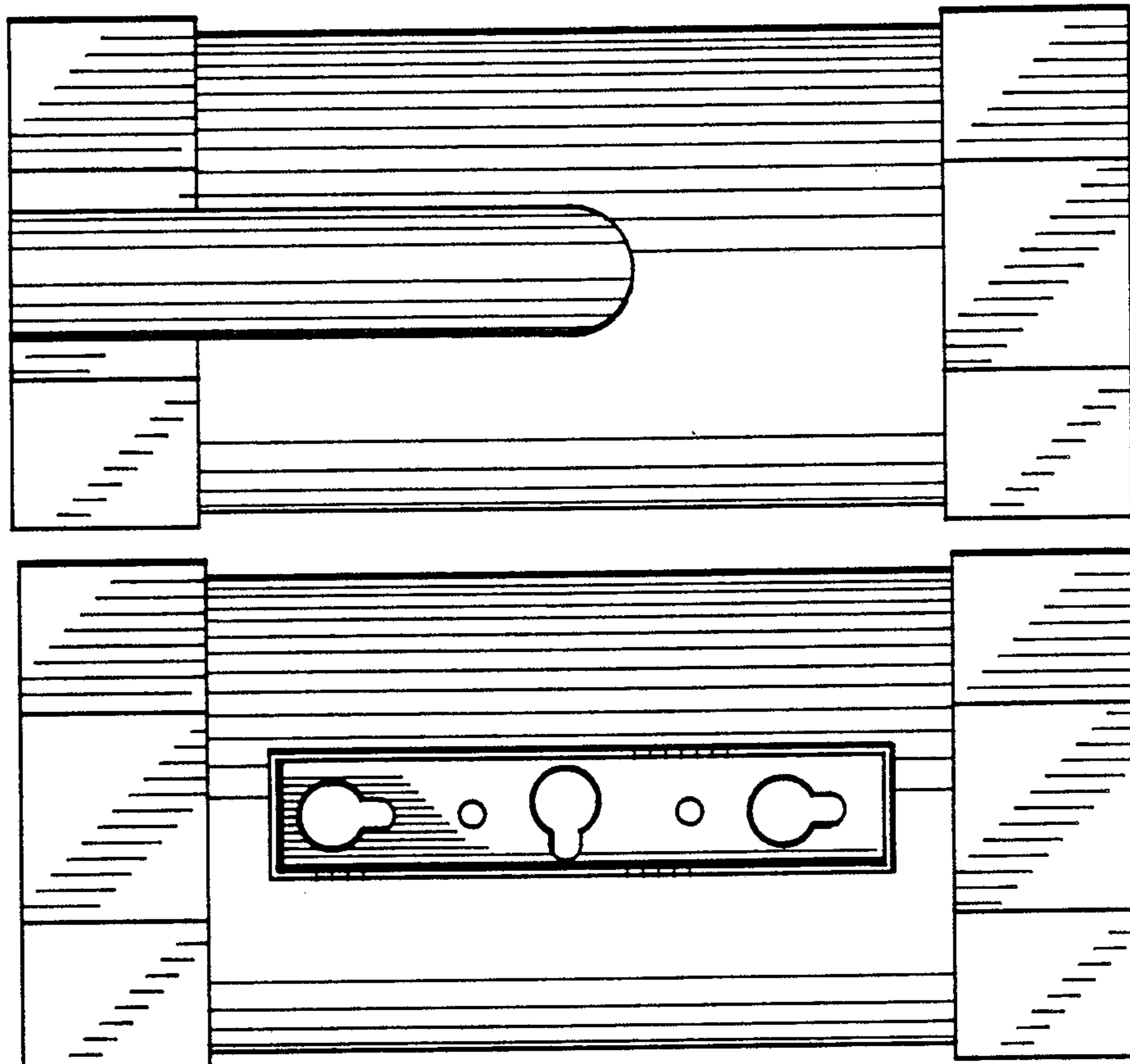
[58] Field of Search D7/70-71,
D7/77; 215/100.5; 248/346.1, 311.2; 220/85 H;
62/457.1, 457.3, 457.4

FIG. 1 is a front elevational view of a vacuum bottle caddy showing my new design;
FIG. 2 is a rear elevational view thereof;
FIG. 3 is a left side elevational view thereof;
FIG. 4 is a right side elevational view thereof;
FIG. 5 is a top plan view thereof; and,
FIG. 6 is bottom plan view thereof.

[56] References Cited

U.S. PATENT DOCUMENTS

D. 163,460 5/1951 Kedzie D7/70



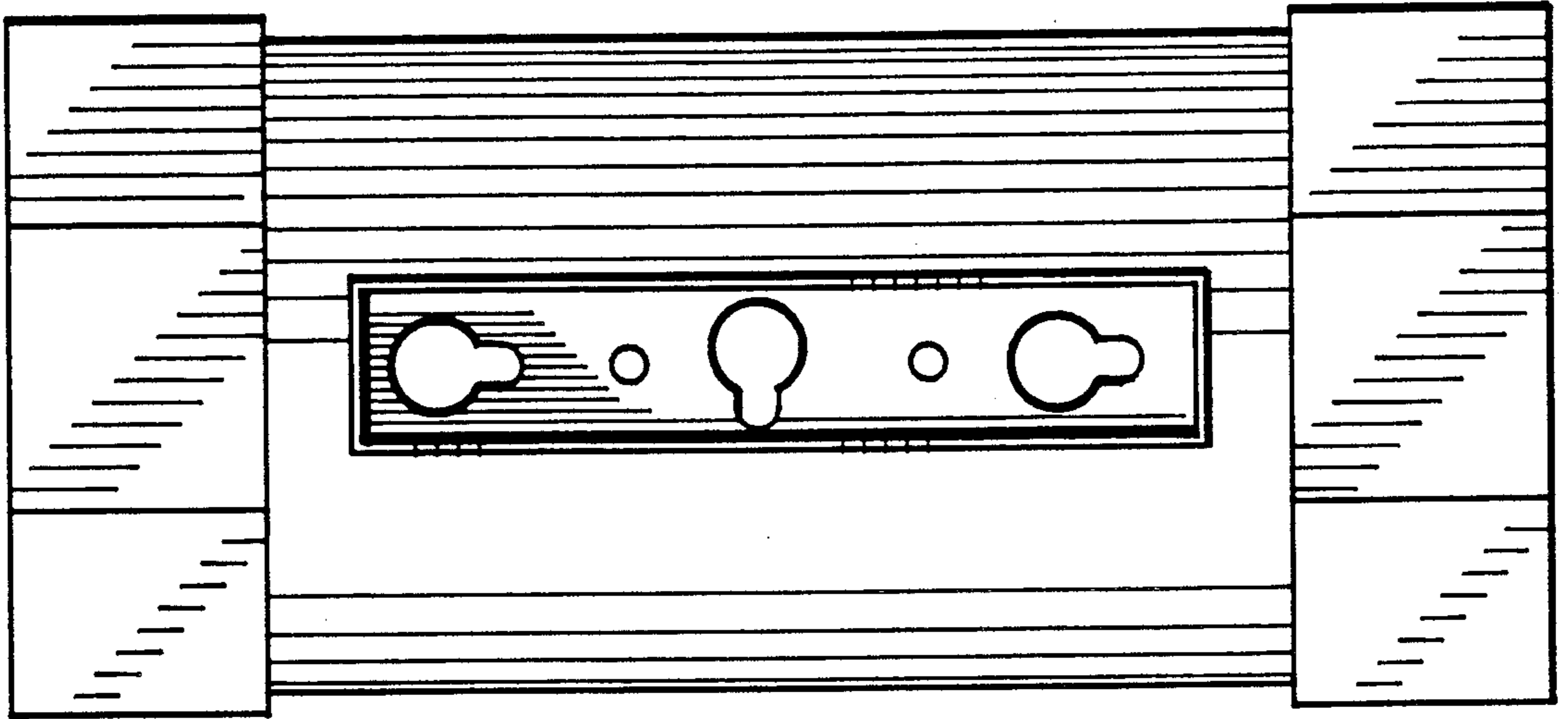


Fig. 1

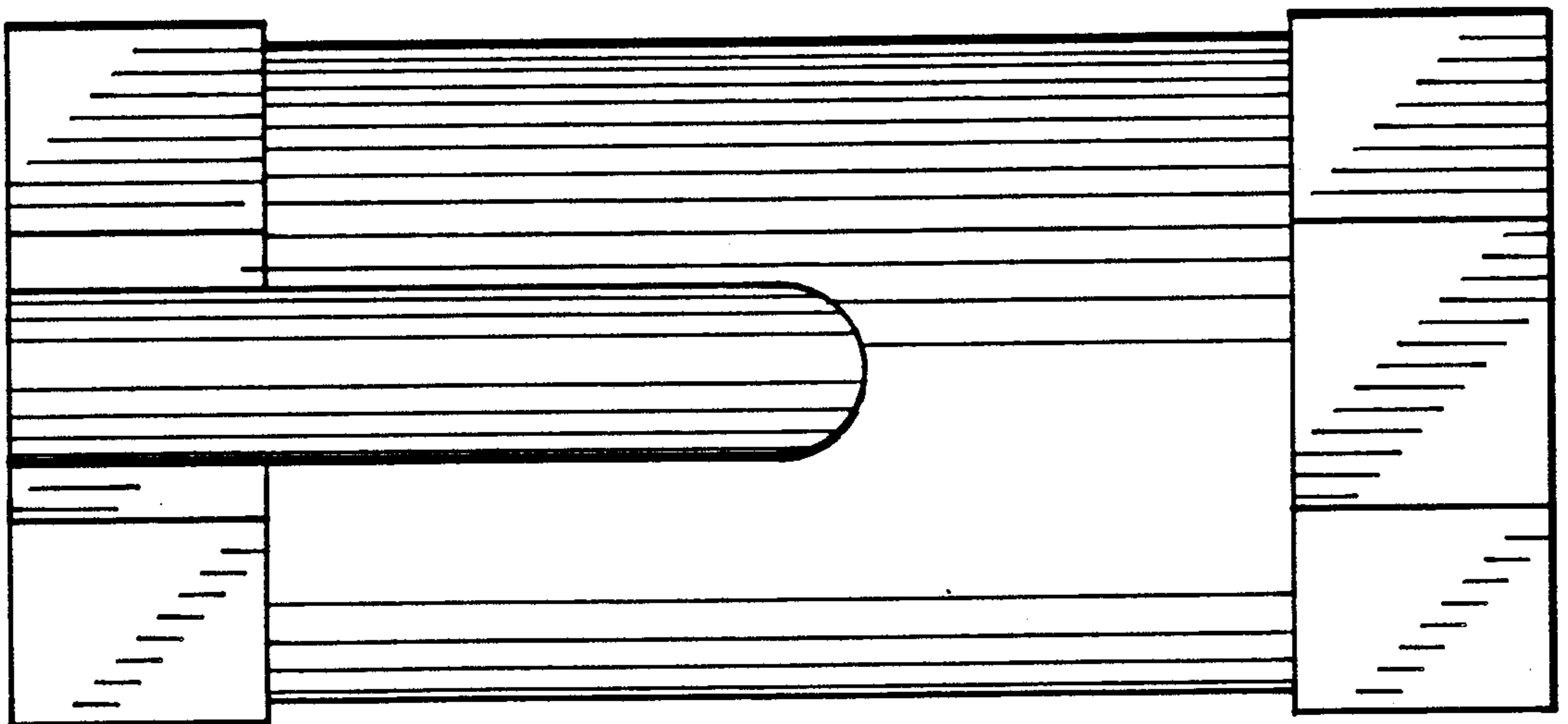


Fig. 2

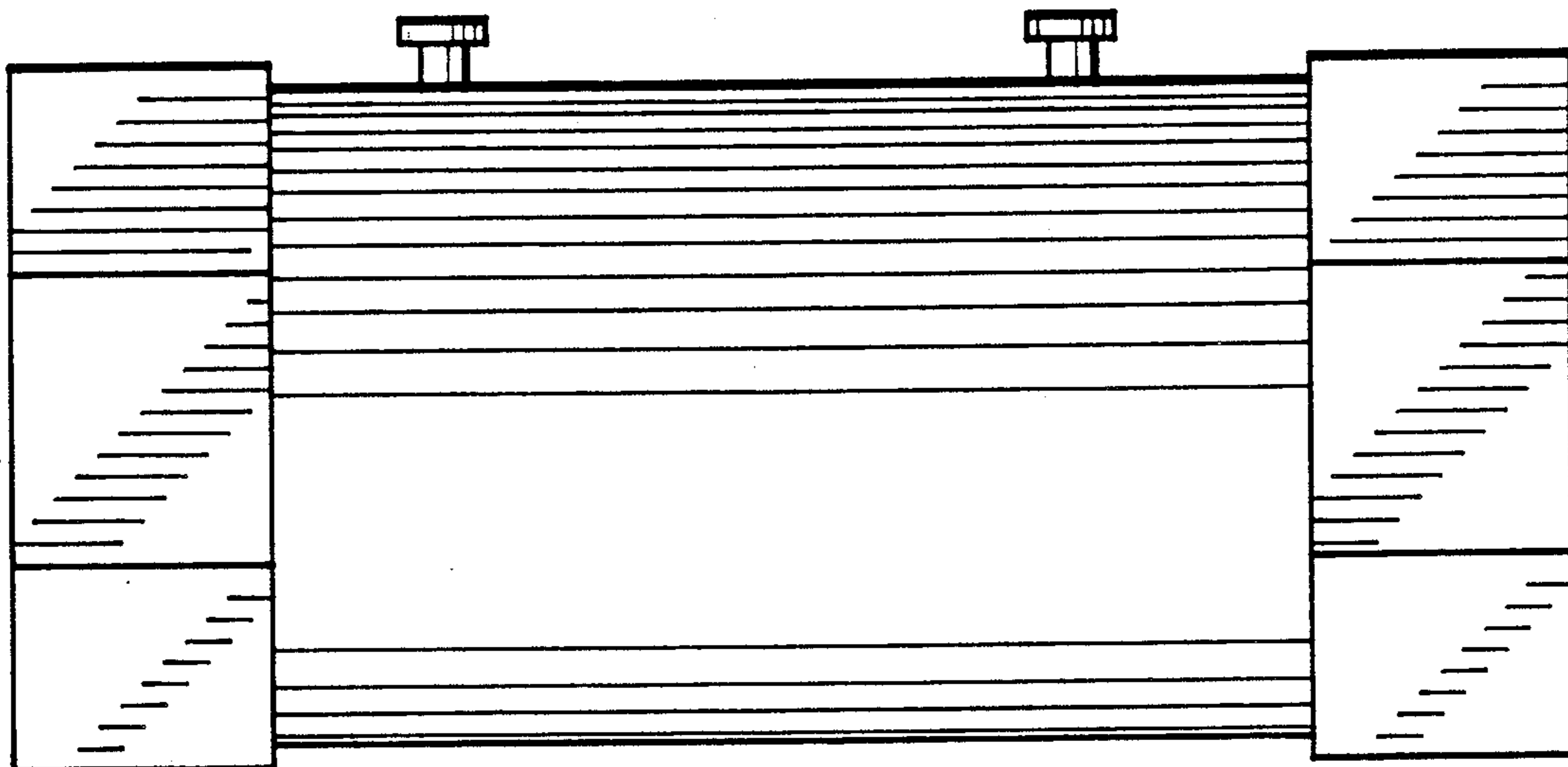
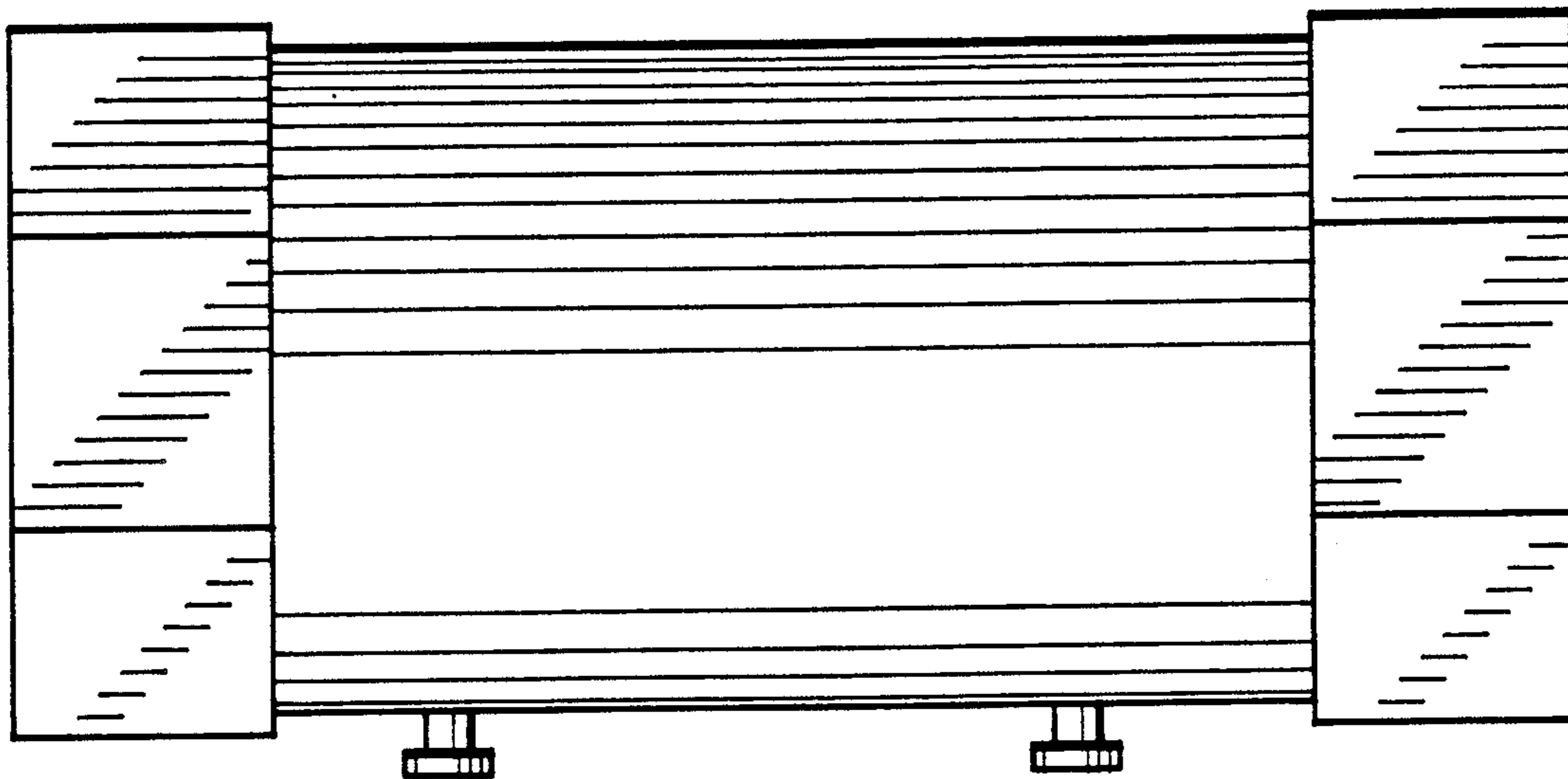


Fig. 4



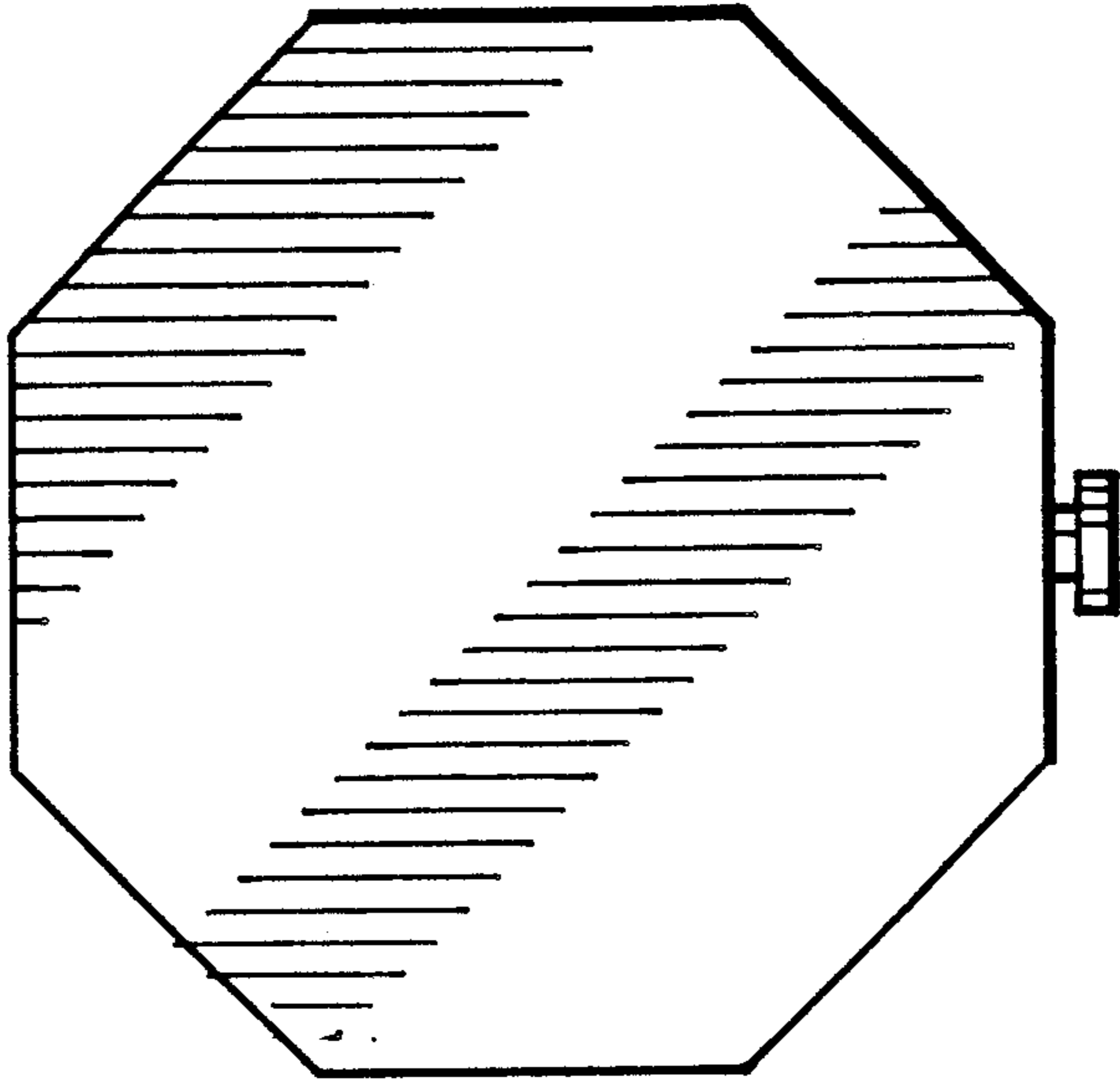


Fig. 6

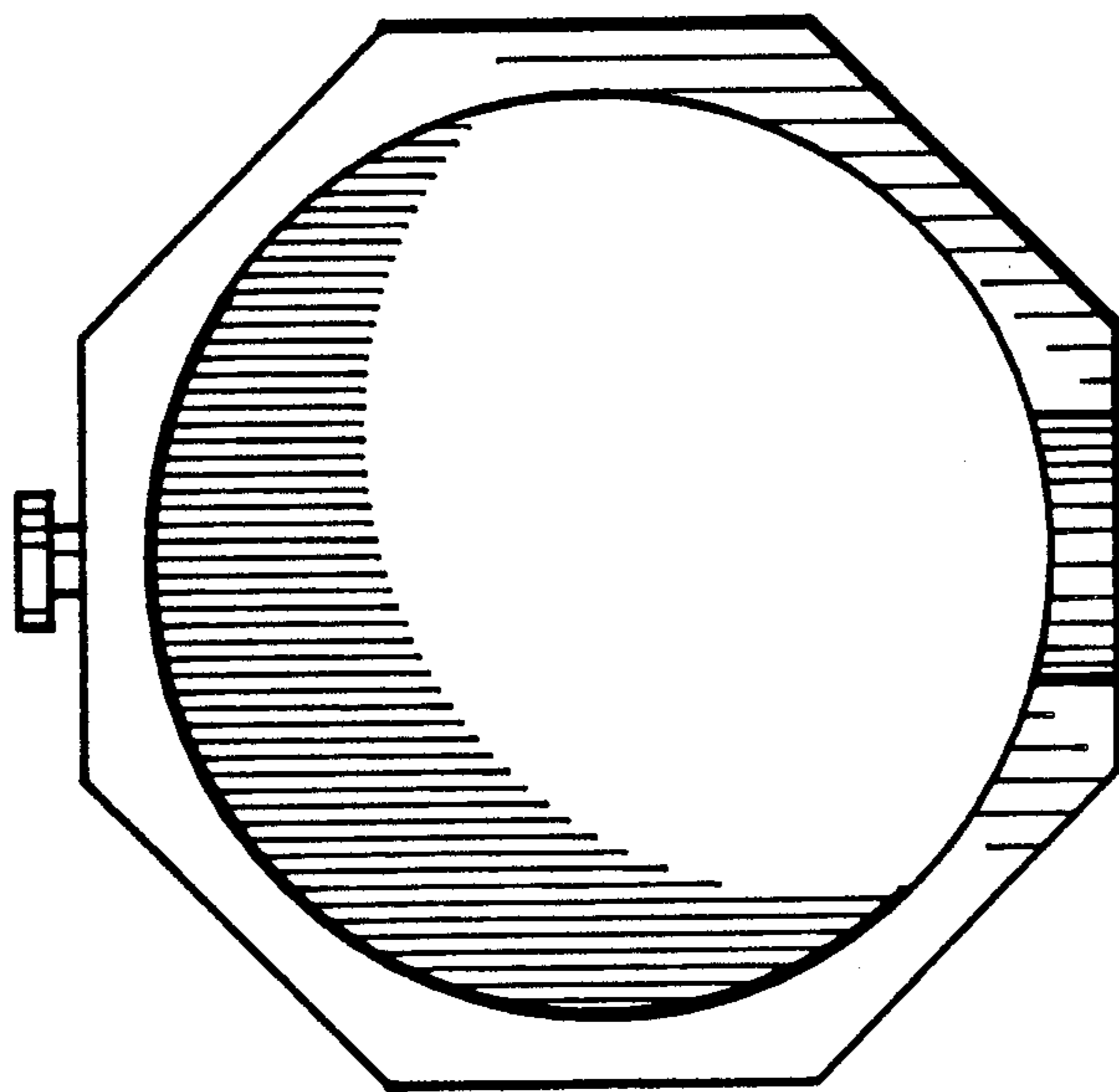


Fig. 5