

[54] COMBINED SHELF AND HOOK UNIT

[76] Inventor: Kent D. Murphy, 6 Convent La., Skerries Co. Dublin, Ireland

[**] Term: 14 Years

[21] Appl. No.: 312,243

[22] Filed: Feb. 21, 1989

[52] U.S. Cl. D6/574; D6/572

[58] Field of Search D6/512, 553, 567, 569, D6/572, 574; 108/28, 30; 211/13, 30, 32, 60.1, 65, 70.6, 70.7, 71, 86-88, 90, 126, 134; 248/176, 187, 339; D6/323

[56] References Cited

U.S. PATENT DOCUMENTS

- D. 278,873 5/1985 Thornburg et al. D6/553 X
- D. 286,964 2/1986 Gecchelin D6/569

- 2,515,293 7/1950 Carter D6/569 X
- 3,998,332 12/1976 Lambertson 211/13

Primary Examiner—Wallace R. Burke
Assistant Examiner—Brian N. Vinson
Attorney, Agent, or Firm—Brady, O'Boyle & Gates

[57] CLAIM

The ornamental design for a combined shelf and that hook unit, as shown and described.

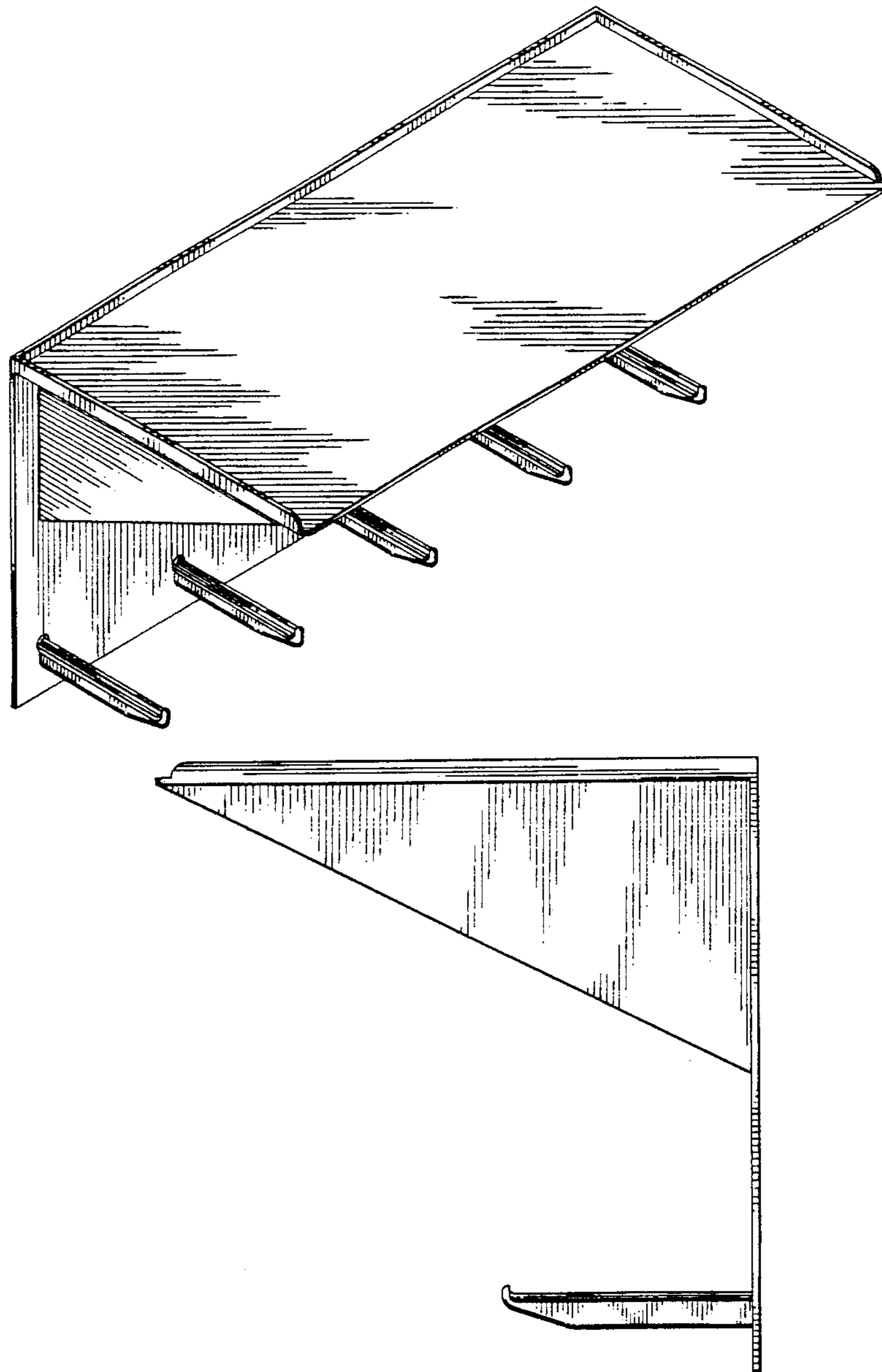
DESCRIPTION

FIG. 1 is a top, front, and left side perspective view of a combined shelf and hook unit showing my new design;

FIG. 2 is an enlarged front elevational view thereof;

FIG. 3 is an enlarged right side elevational view thereof, the left side being a mirror image of that shown; and

FIG. 4 is an enlarged bottom plan view thereof.



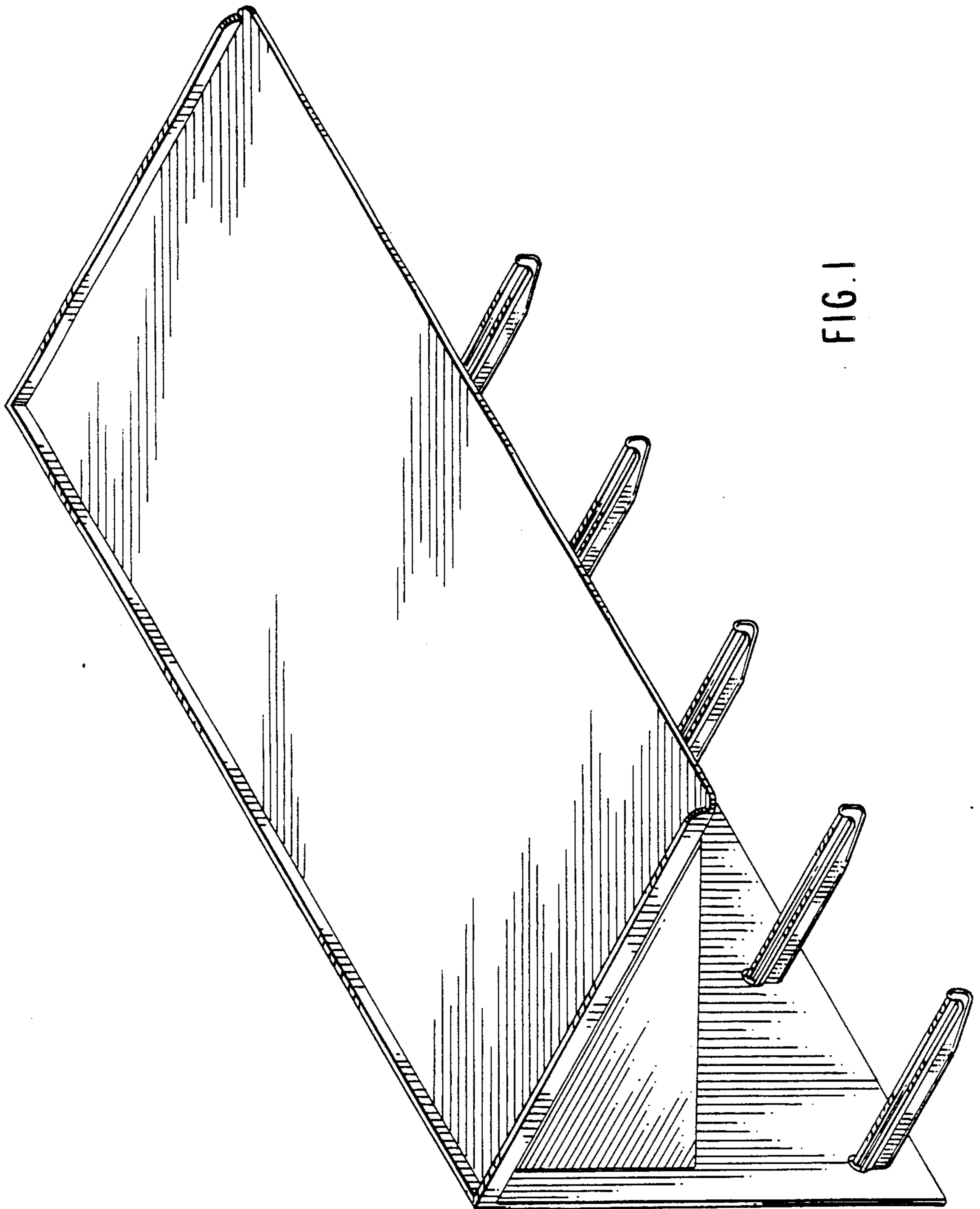
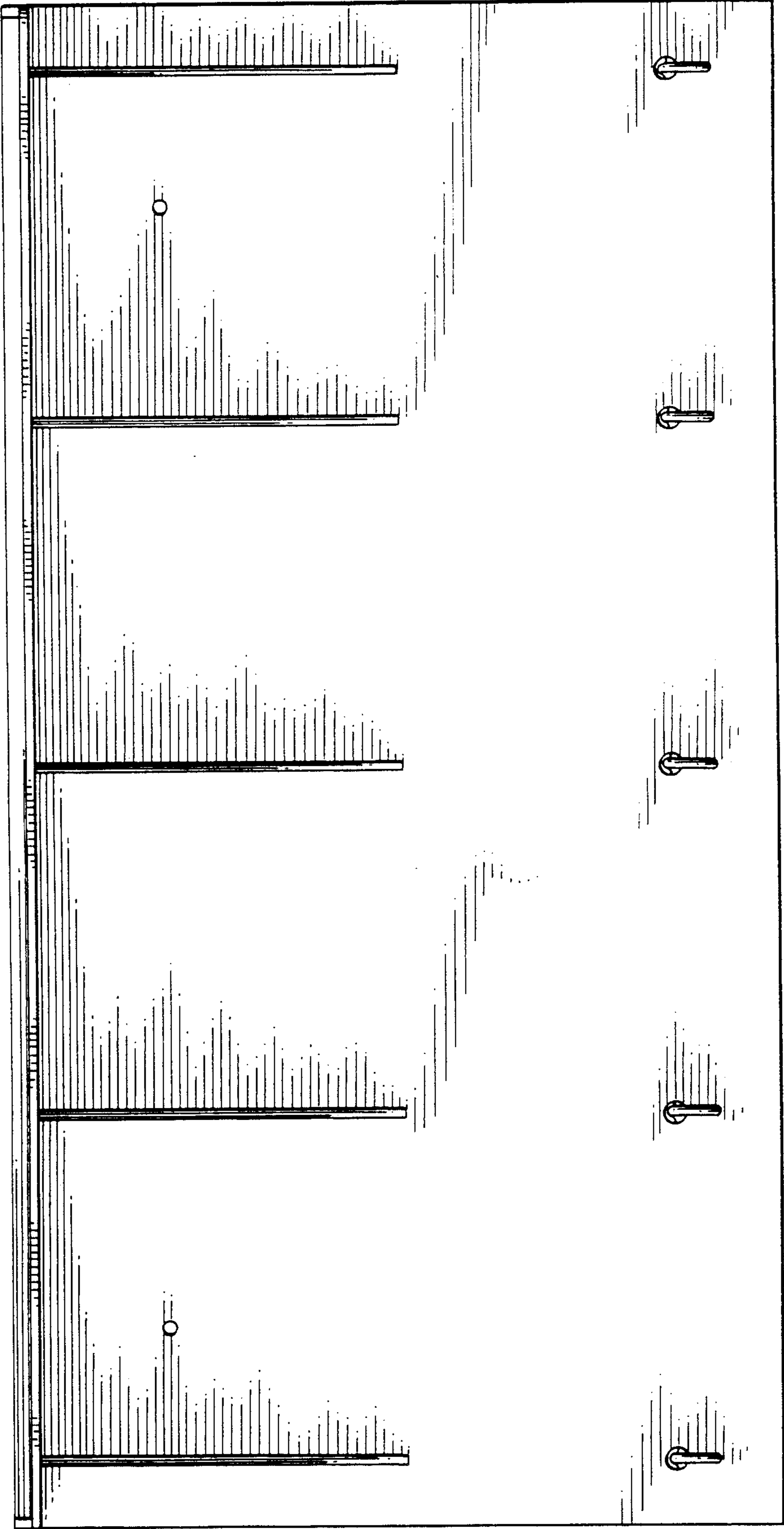


FIG. 1

FIG. 2



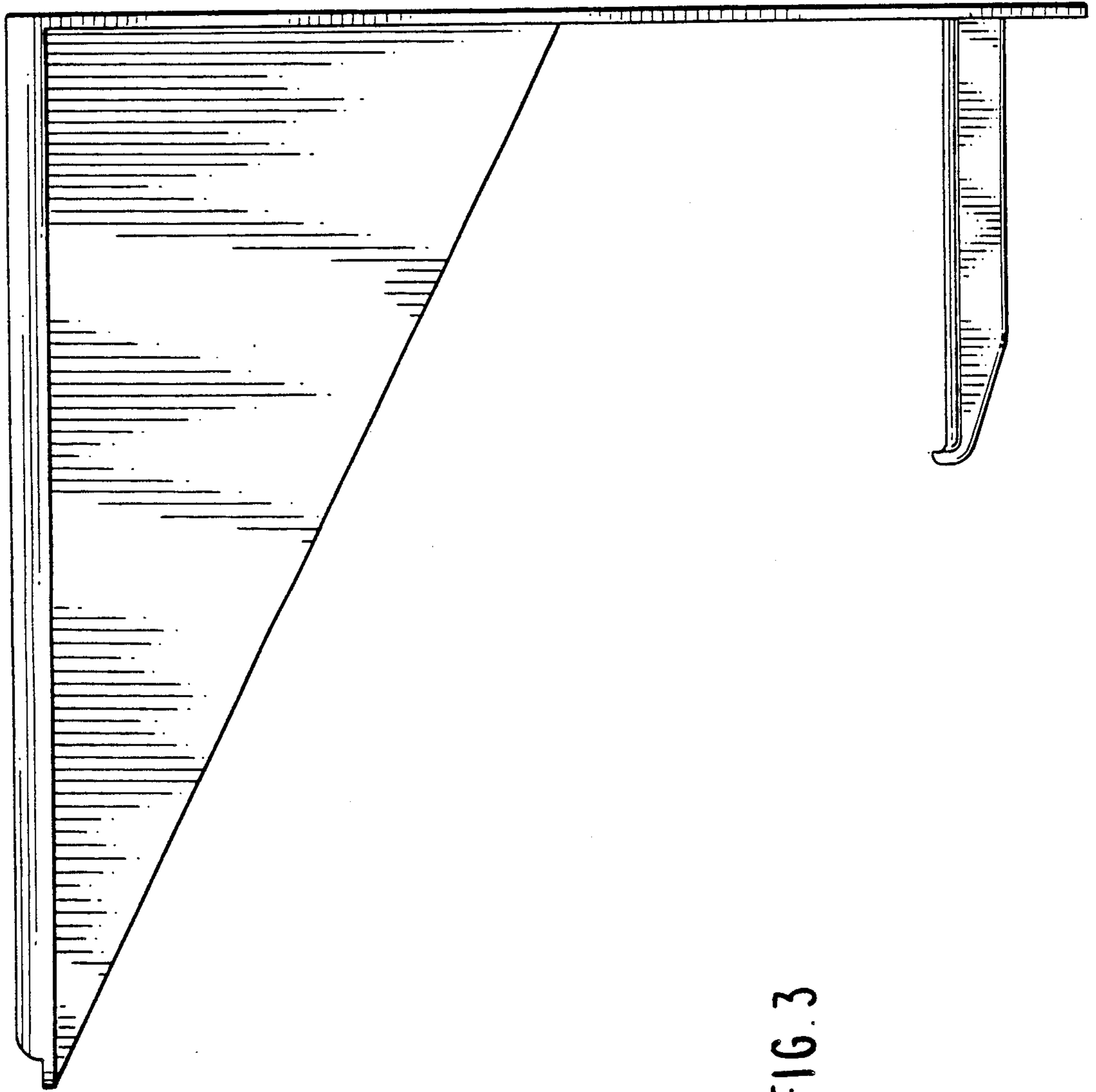


FIG. 3

FIG. 4

