

[54] BALL RACK

[76] Inventor: Kiyomitsu Ohno, 2-9-9 Naka,  
Kunitachi, Toyko 186, Japan

[\*\*] Term: 14 Years

[21] Appl. No.: 320,935

[22] Filed: Mar. 8, 1989

[30] Foreign Application Priority Data

Mar. 11, 1988 [JP] Japan ..... 63-9943  
[52] U.S. Cl. .... D6/552; D6/449  
[58] Field of Search ..... D6/512, 552, 396, 449,  
D6/458, 461-462, 465, 477, 479; 211/13-14, 71,  
74, 162, 182; 108/28-29, 59; 248/176

[56] References Cited

U.S. PATENT DOCUMENTS

D. 191,790 11/1961 Schaefer ..... D6/449  
D. 234,664 4/1975 Stiene ..... D6/449 X  
D. 237,231 10/1975 Wells ..... D6/449 X

1,700,212 1/1929 Arlt ..... 211/71  
2,940,599 6/1960 Gentner ..... 211/71  
4,282,977 8/1981 DiLorenzo ..... 211/74  
4,896,778 1/1990 Ferdinand et al. .... 211/182 X

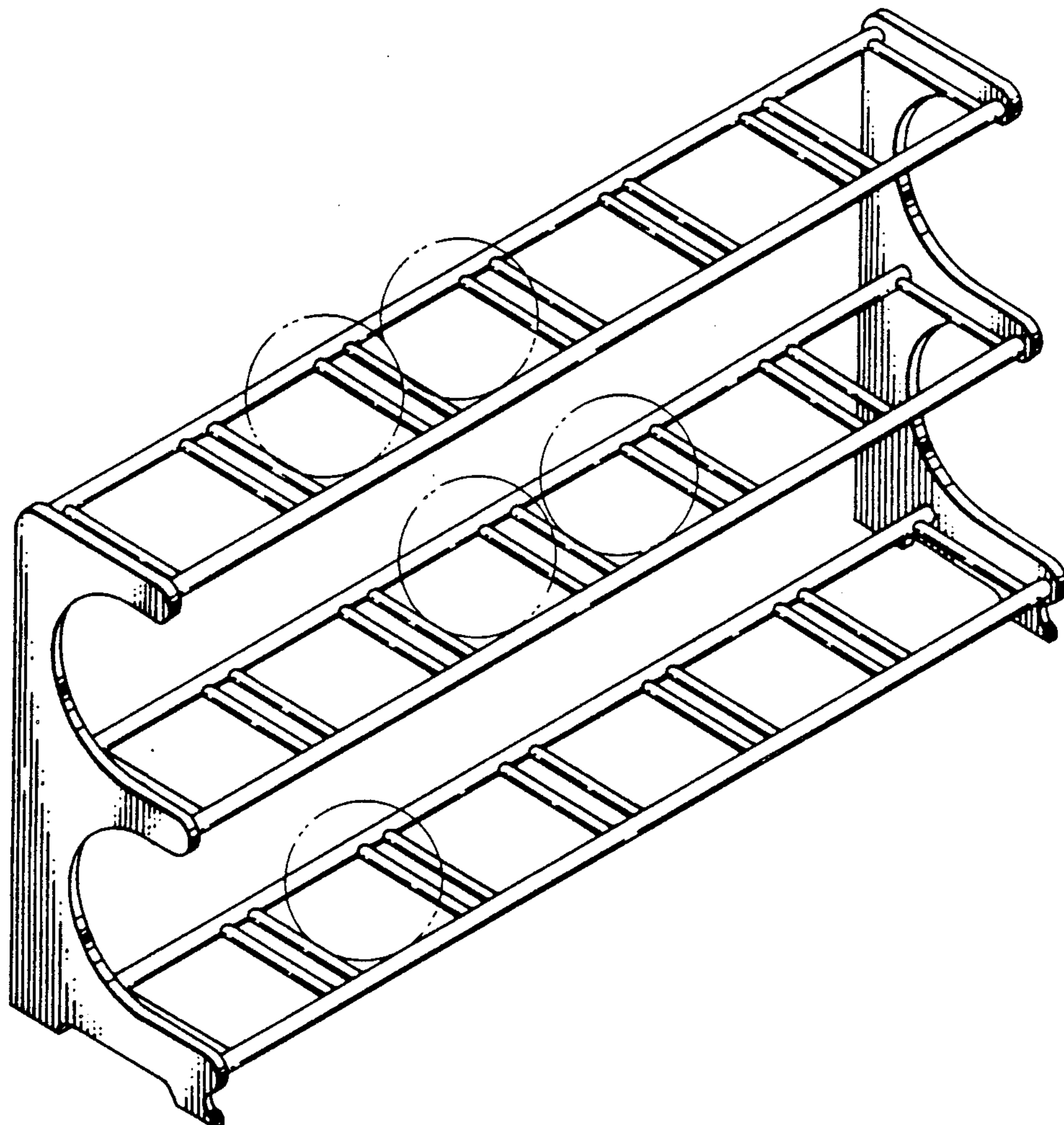
Primary Examiner—Wallace R. Burke  
Assistant Examiner—Brian N. Vinson  
Attorney, Agent, or Firm—Ladas & Parry

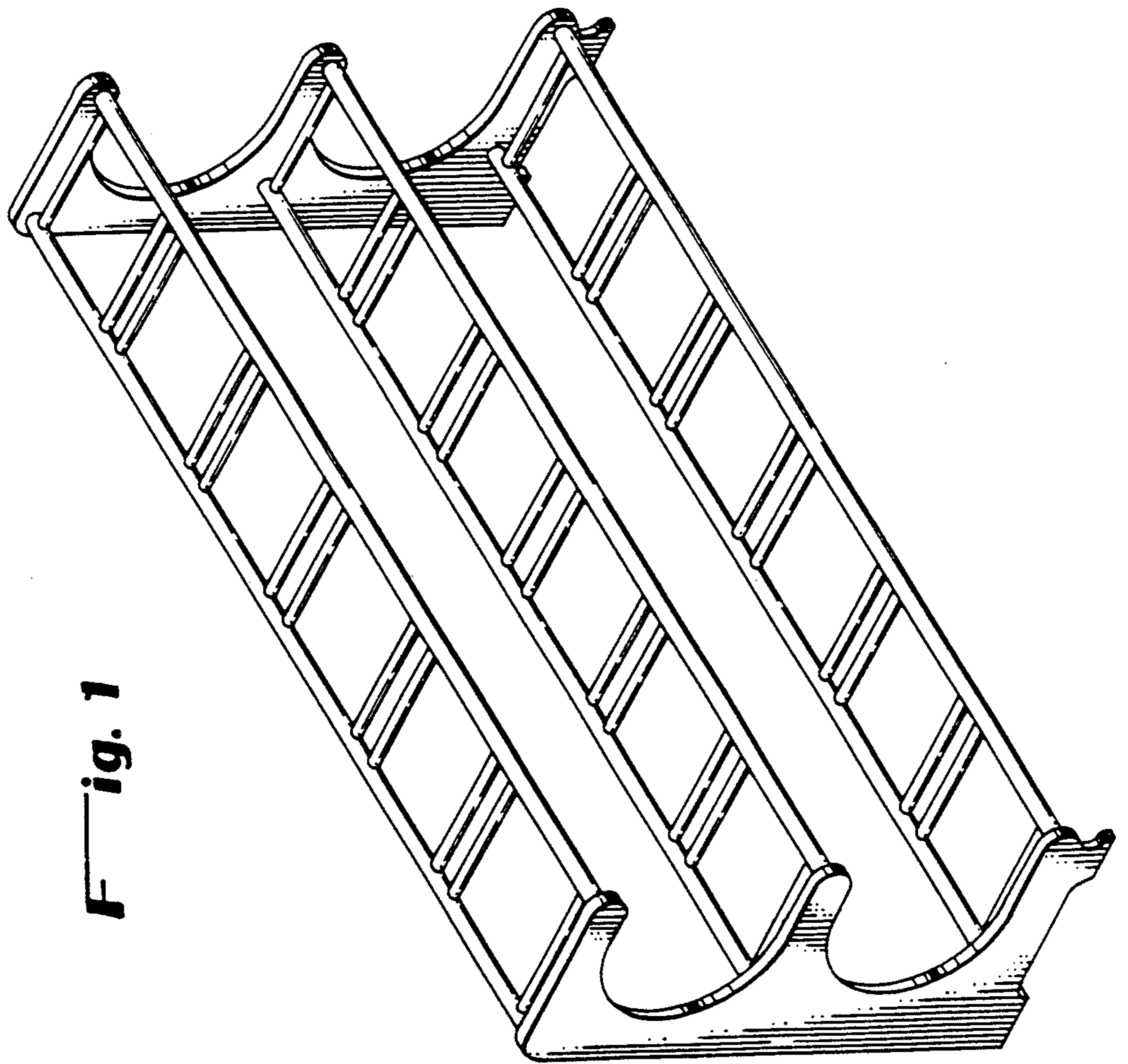
[57] CLAIM

The ornamental design for a ball rack, as shown and described.

DESCRIPTION

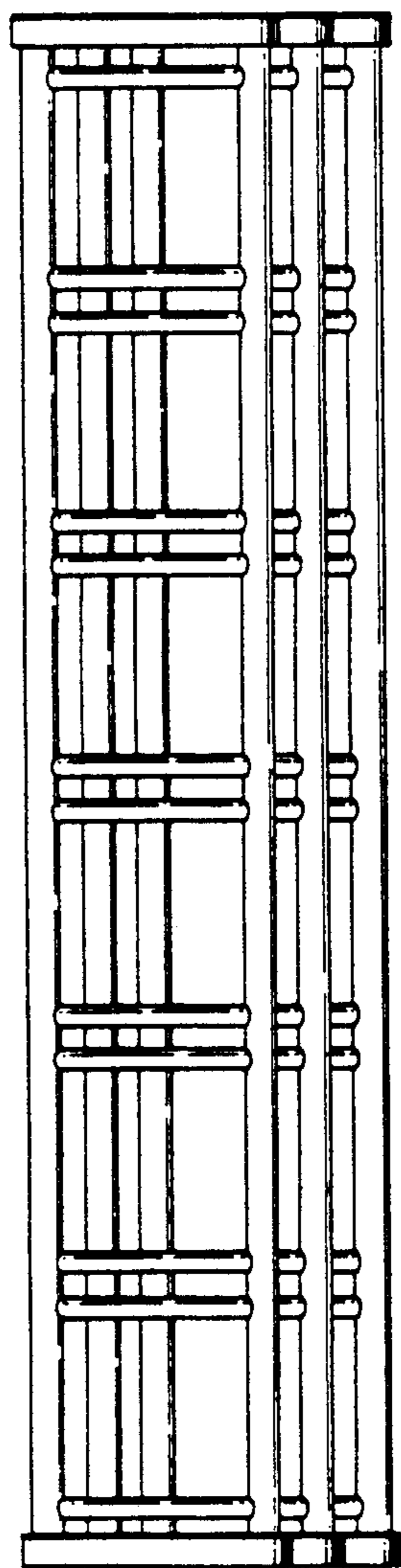
FIG. 1 is a top, front, and left side perspective view of a ball rack showing my new design; FIG. 2 is a top plan view thereof; FIG. 3 is a front elevational view thereof; FIG. 4 is a right side elevational view thereof; and FIG. 5 is a top, front, and left side perspective view thereof, the broken-line depiction of a number of balls being for illustrative purposes only and forming no part of the claimed design.



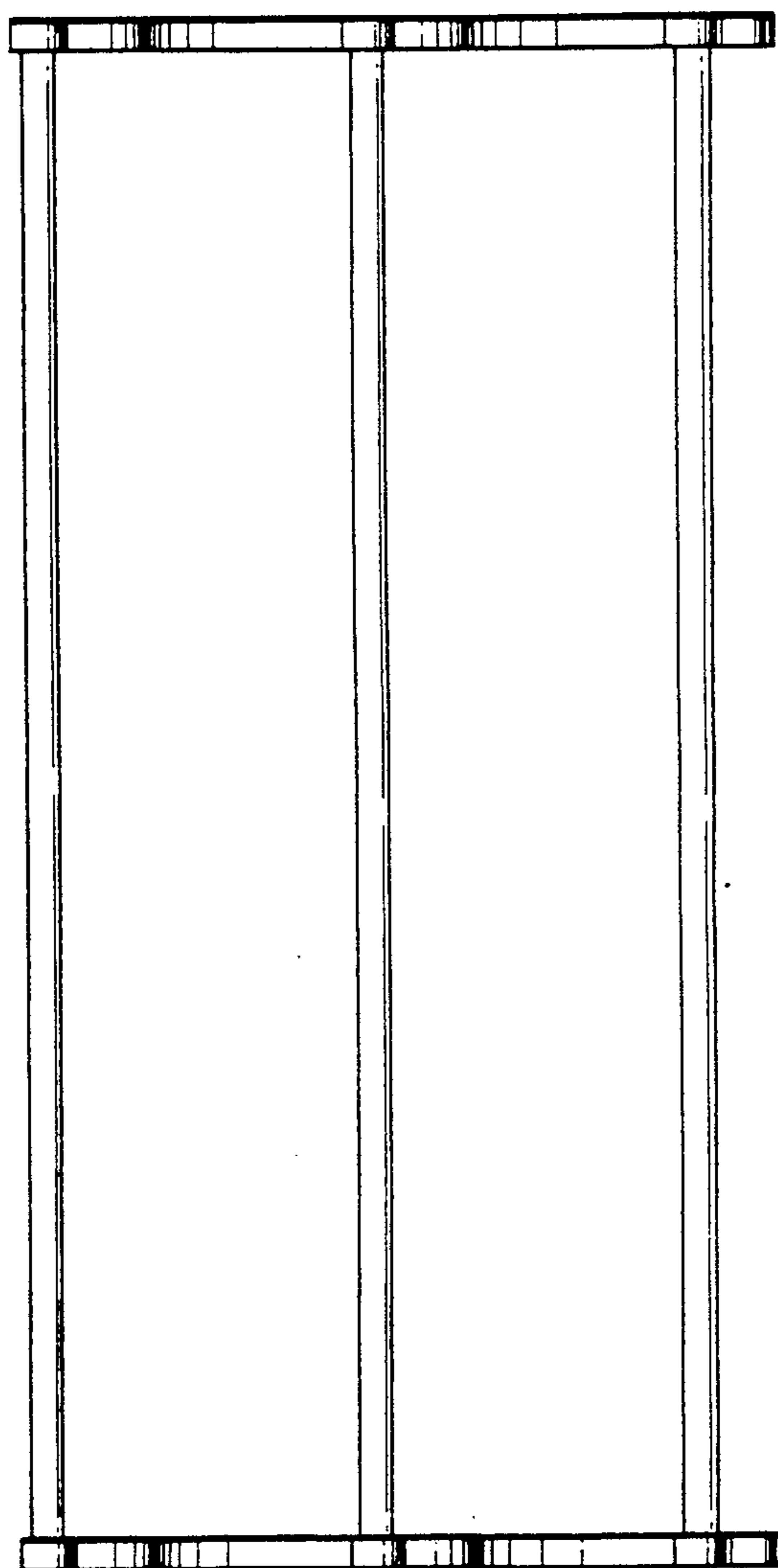


**Fig. 1**

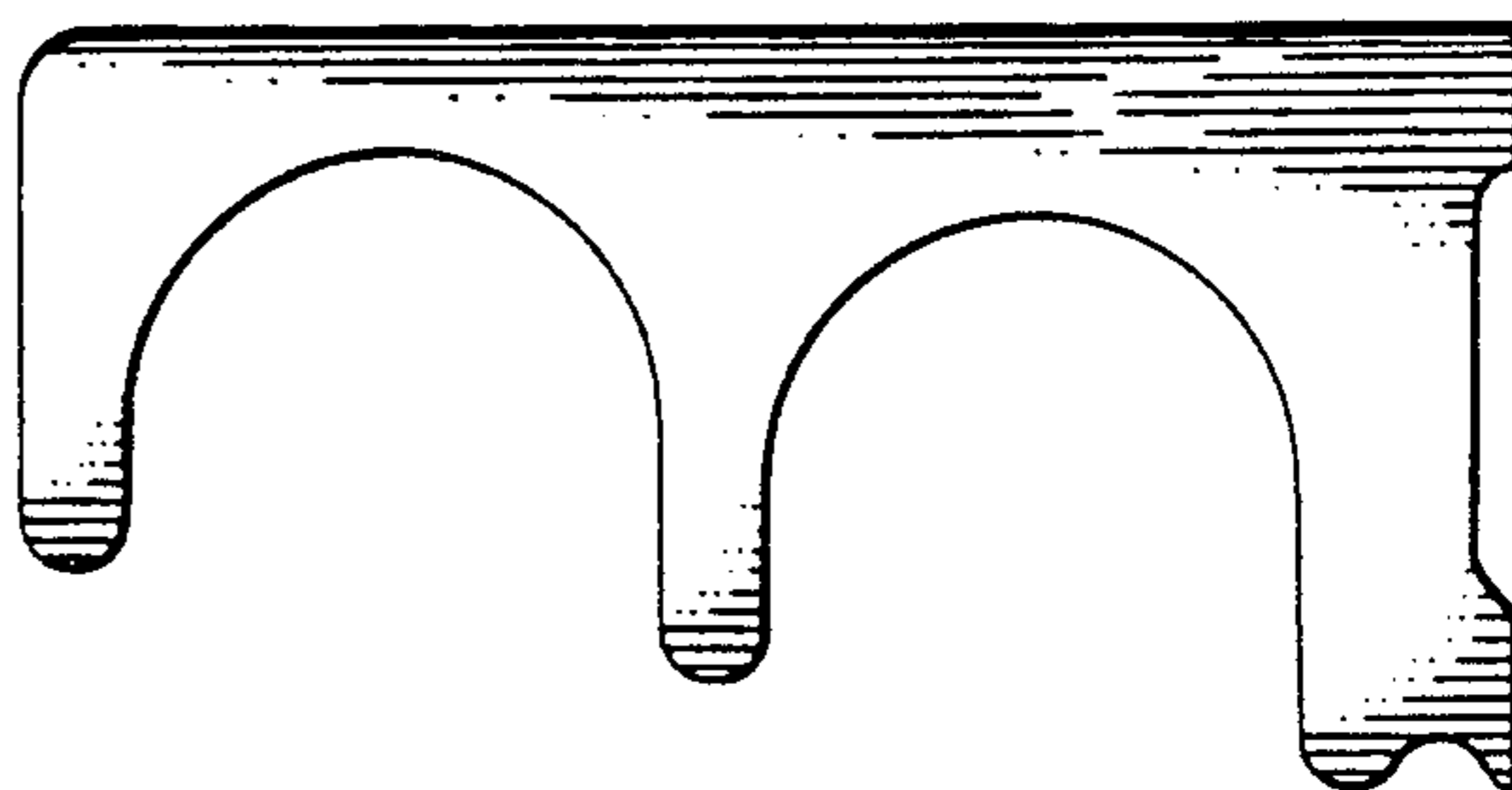
**Fig. 2**



**Fig. 3**



**Fig. 4**



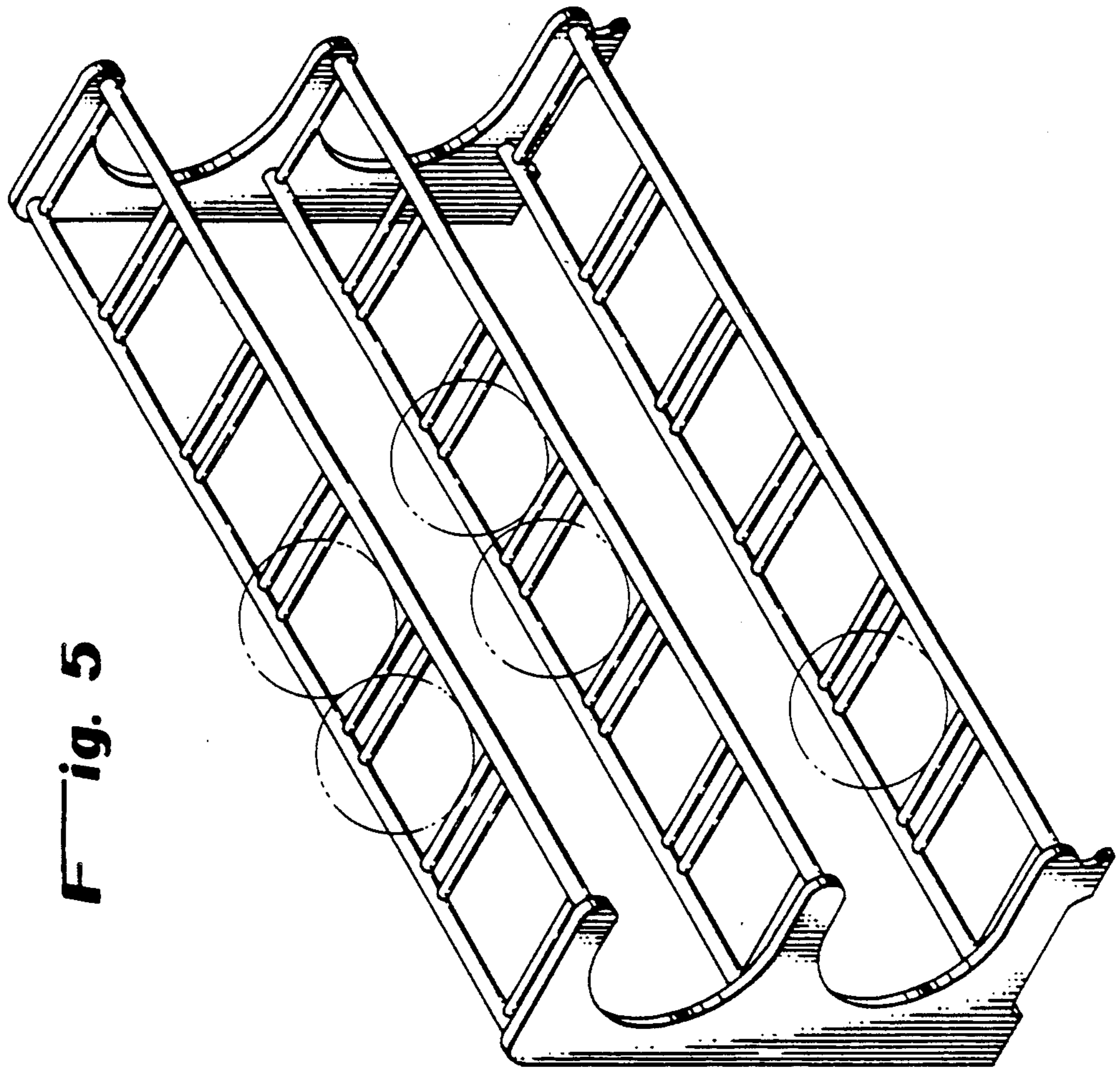


Fig. 5