

[54] BALL RACK

[76] Inventor: Kiyomitsu Ohno, 2-9-9 Naka, Kunitachi, Tokyo 186, Japan

[**] Term: 14 Years

[21] Appl. No.: 320,780

[22] Filed: Mar. 8, 1989

[52] U.S. Cl. D6/552

[58] Field of Search D6/512, 552, 396, 449, D6/458, 461-462, 465, 477, 479; 211/13-14, 71, 74, 162, 182; 108/28-29, 59; 248/176

[56] References Cited

U.S. PATENT DOCUMENTS

- D. 191,790 11/1961 Schaefer D6/449
- D. 234,664 4/1975 Stiene D6/449
- D. 237,231 10/1975 Wells D6/449 X
- 1,700,212 1/1929 Arlt 211/71
- 2,940,599 6/1960 Gentner 211/71

- 4,282,977 8/1981 DiLorenzo 211/74
- 4,896,778 1/1990 Ferdinand et al. 211/182 X

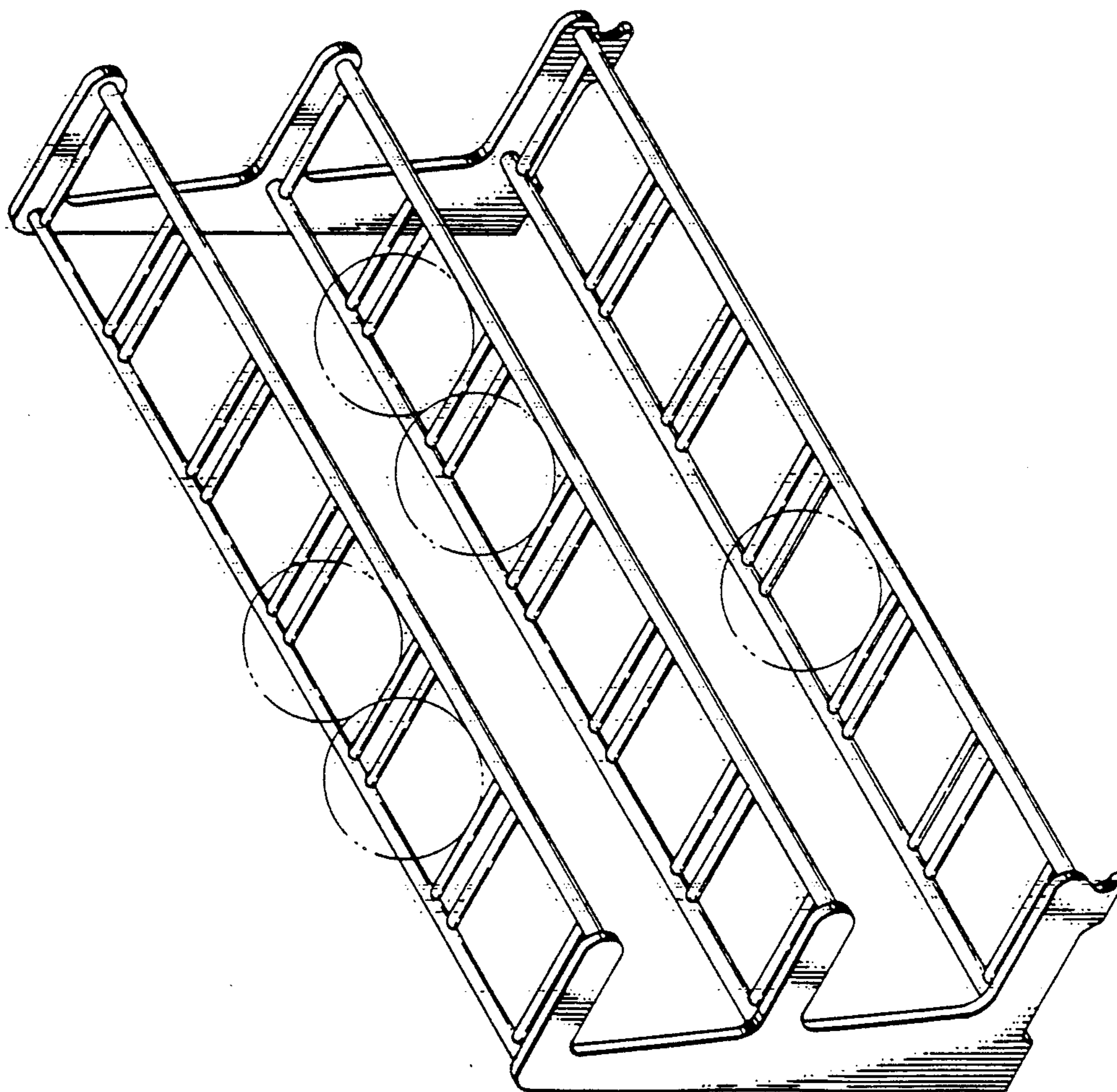
Primary Examiner—Wallace R. Burke
Assistant Examiner—Brian N. Vinson
Attorney, Agent, or Firm—Ladas & Parry

[57] CLAIM

The ornamental design for a ball rack, as shown and described.

DESCRIPTION

FIG. 1 is a top, front, and left side perspective view of a ball rack showing my new design; FIG. 2 is a top plan view thereof; FIG. 3 is a front elevational view thereof; FIG. 4 is a right side elevational view thereof; and FIG. 5 is a top, front, and left side perspective view thereof, the broken-line depiction of a number of balls being for illustrative purposes only and forming no part of the claimed design.



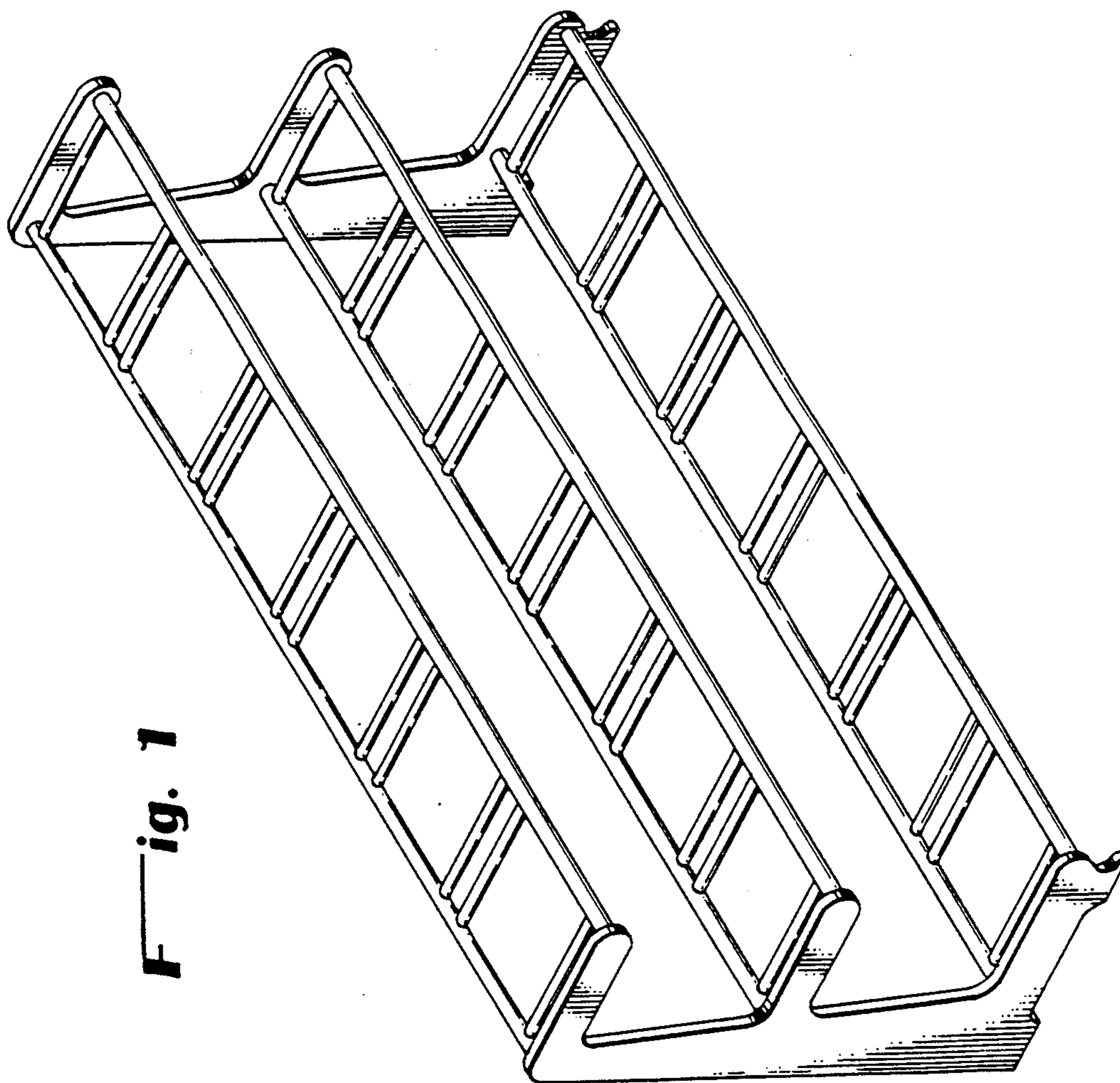


Fig. 1

Fig. 2

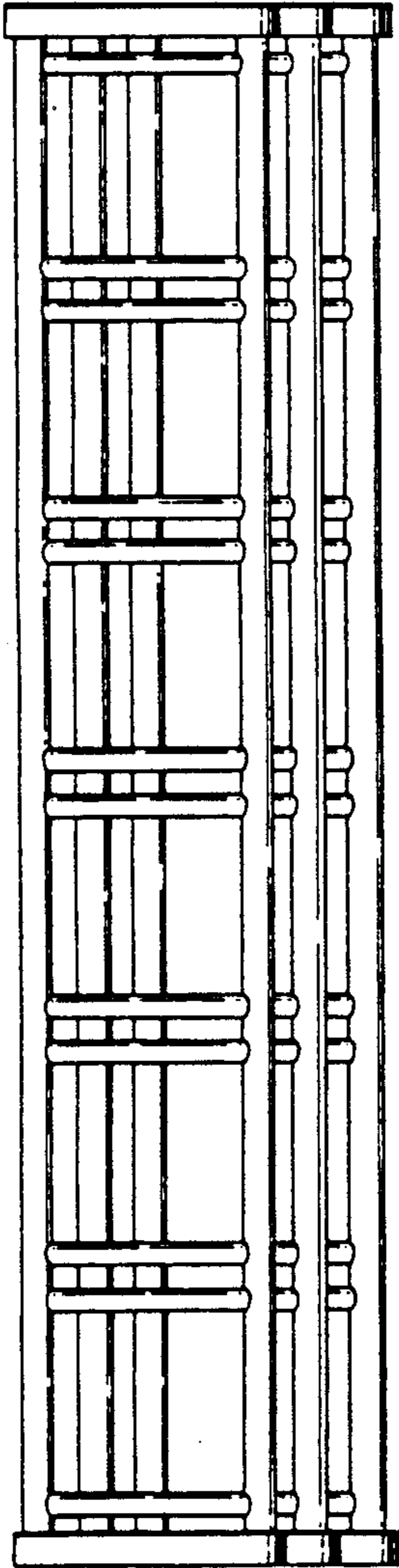


Fig. 3

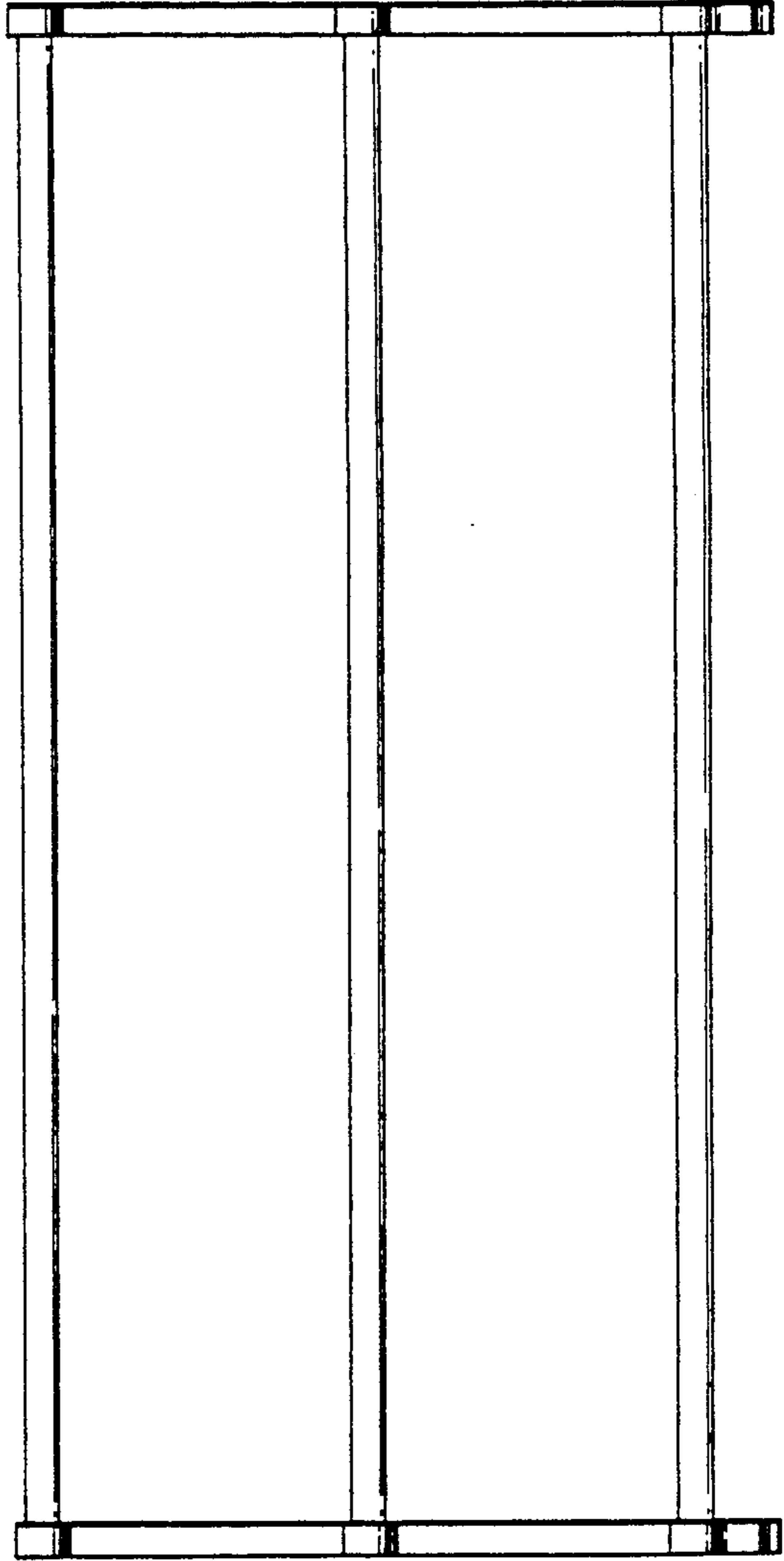
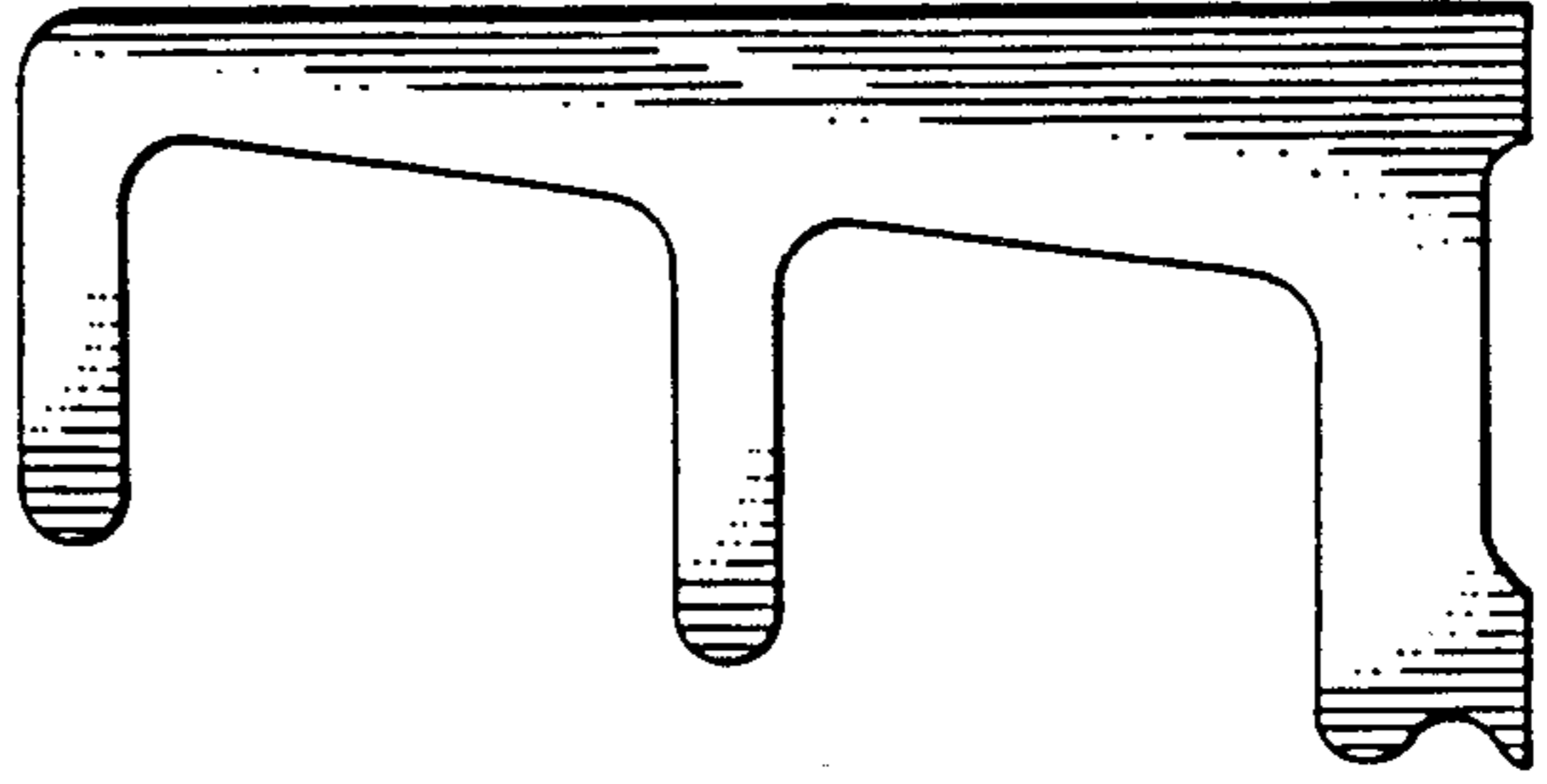
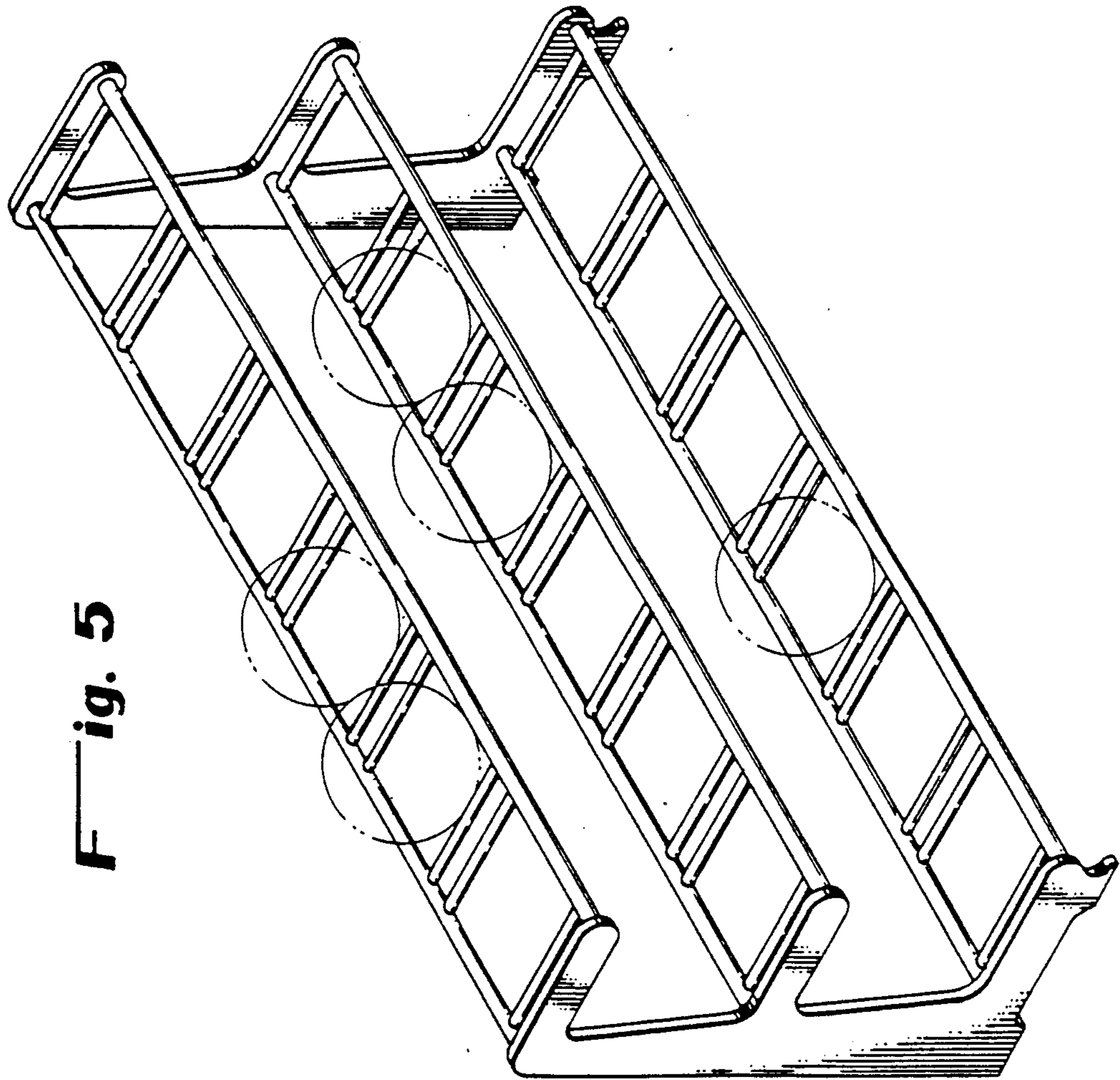


Fig. 4





F ig. 5

UNITED STATES PATENT AND TRADEMARK OFFICE
CERTIFICATE OF CORRECTION

PATENT NO. : Des. 314,110
DATED : January 29, 1991
INVENTOR(S) : Kiyomitsu Ohno

Page 1 of 5

It is certified that error appears in the above-identified patent and that said Letters Patent is hereby corrected as shown below:

The title page showing the illustrative figure should be deleted to be replaced with the attached title page.

Sheets 1-3 of the drawings should be deleted to be replaced with Sheets 1-3 of drawings, consisting of Figs. 1-5, as shown on the attached page.

**Signed and Sealed this
Twenty-fifth Day of August, 1992**

Attest:

DOUGLAS B. COMER

Attesting Officer

Acting Commissioner of Patents and Trademarks

United States Patent [19]
Ohno

[11] Patent Number: Des. 314,110

[45] Date of Patent: ** Jan. 29, 1991

[54] BALL RACK

[76] Inventor: Kiyomitsu Ohno, 2-9-9 Naka,
Kunitachi, Tokyo 186, Japan

[**] Term: 14 Years

[21] Appl. No.: 320,780

[22] Filed: Mar. 8, 1989

[52] U.S. Cl. D6/552

[58] Field of Search D6/512, 552, 396, 449,
D6/458, 461-462, 465, 477, 479; 211/13-14, 71,
74, 162, 182; 108/28-29, 59; 248/176

[56] References Cited

U.S. PATENT DOCUMENTS

D. 191,790	11/1961	Schaefer	D6/449
D. 234,664	4/1975	Stiene	D6/449
D. 237,231	10/1975	Wells	D6/449 X
1,700,212	1/1929	Arlt	211/71
2,940,599	6/1960	Gentner	211/71

4,282,977	8/1981	DiLorenzo	211/74
4,896,778	1/1990	Ferdinand et al.	211/182 X

Primary Examiner—Wallace R. Burke
Assistant Examiner—Brian N. Vinson
Attorney, Agent, or Firm—Ladas & Parry

[57] CLAIM

The ornamental design for a ball rack, as shown and described.

DESCRIPTION

FIG. 1 is a top, front, and left side perspective view of a ball rack showing my new design;
FIG. 2 is a top plan view thereof;
FIG. 3 is a front elevational view thereof;
FIG. 4 is a right side elevational view thereof; and
FIG. 5 is a top, front, and left side perspective view thereof, the broken-line depiction of a number of balls being for illustrative purposes only and forming no part of the claimed design.

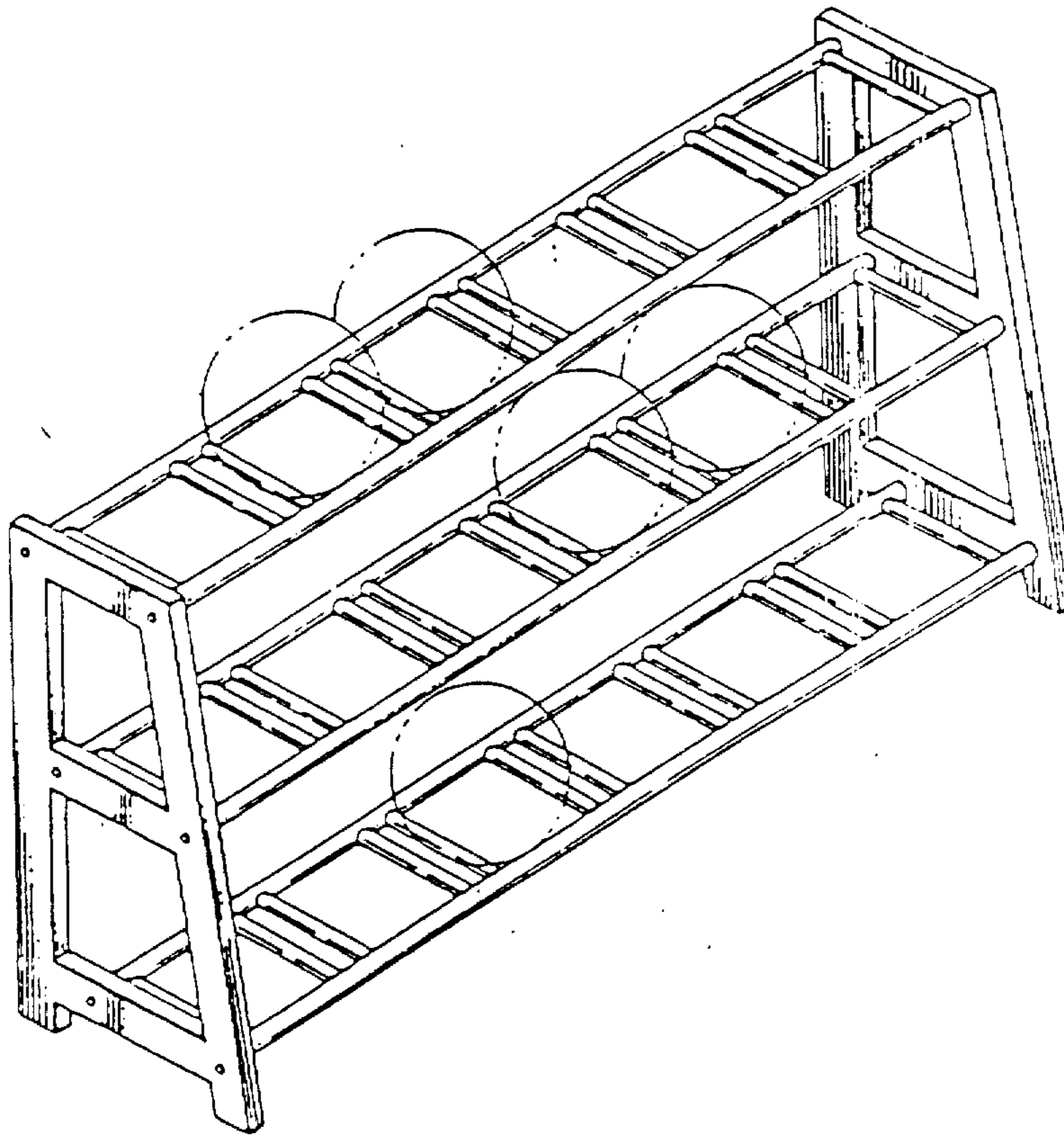
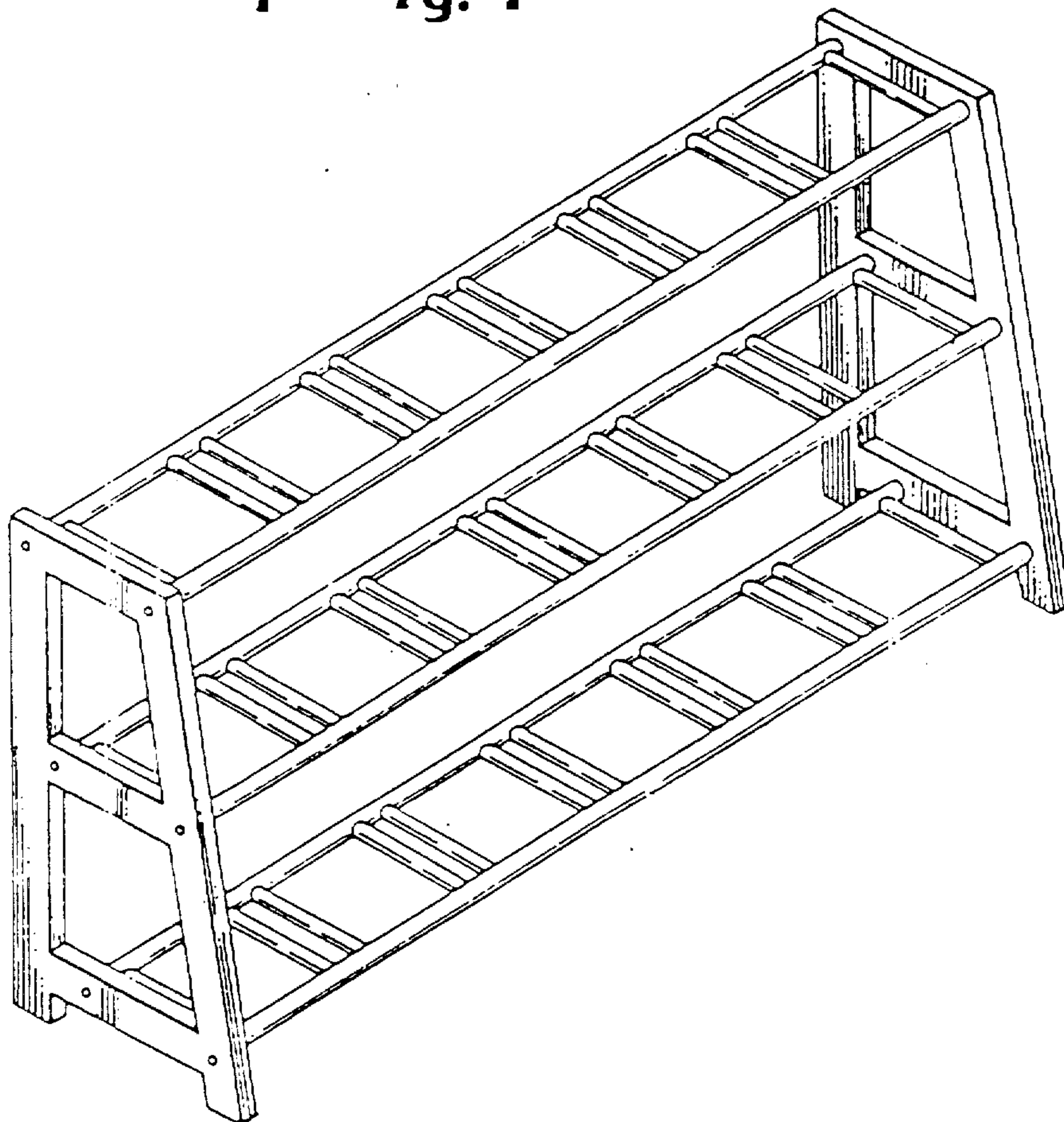
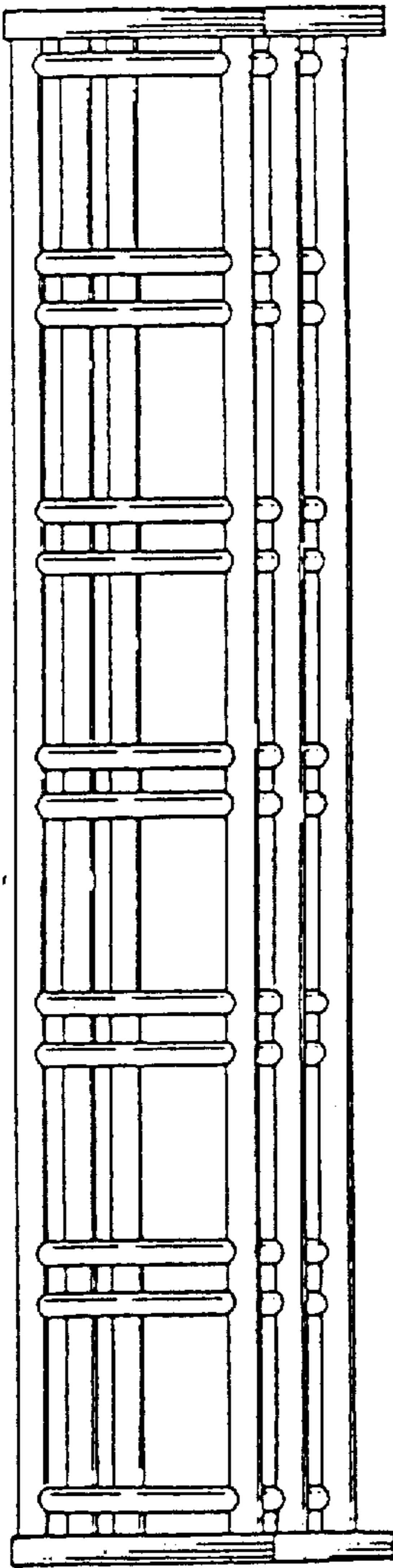


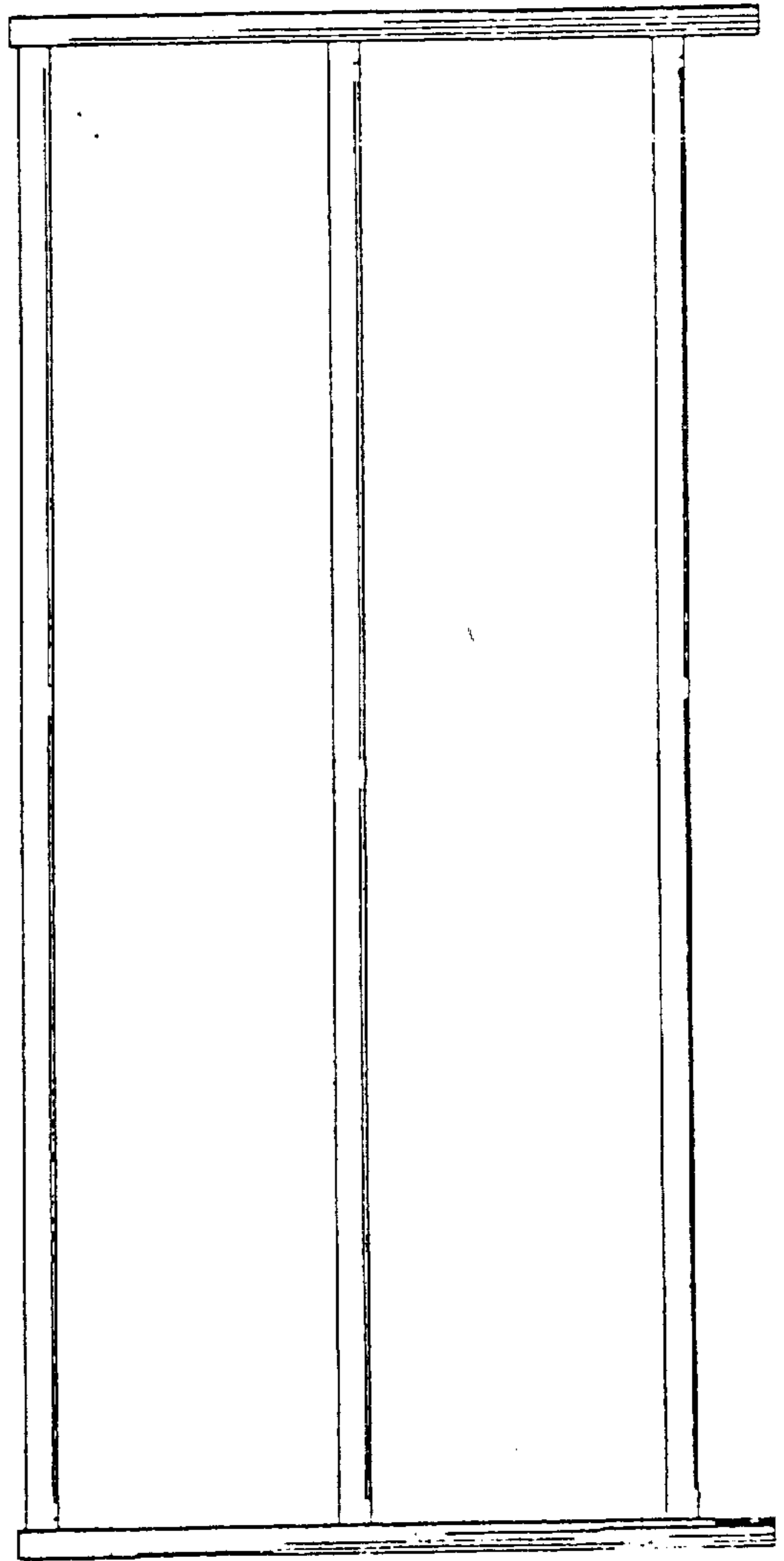
Fig. 1



*F*ig. 2



*F*ig. 3



*F*ig. 4

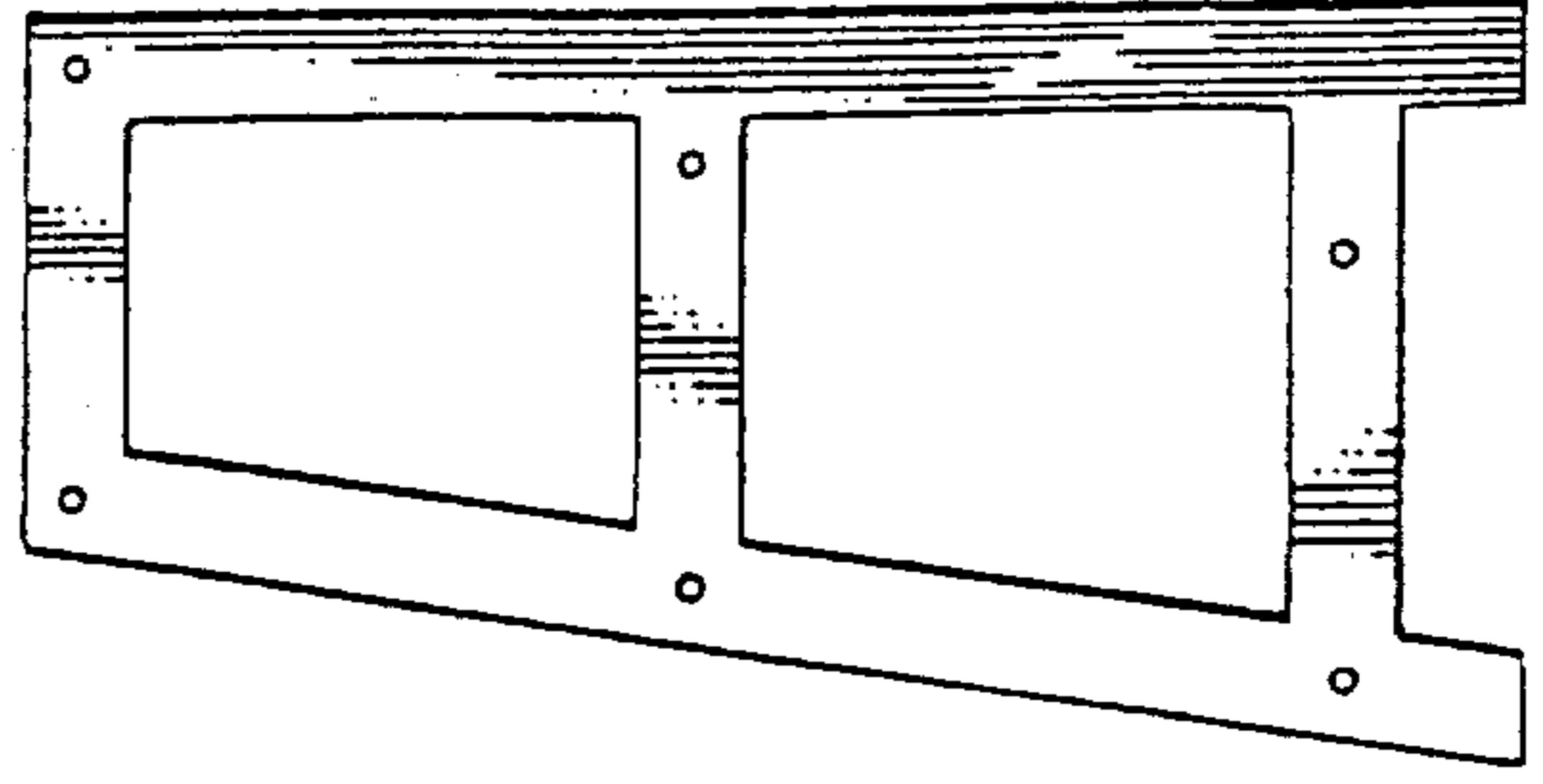


Fig. 5

