

[54] TOILET PAPER HOLDER WITH ROLLER

[75] Inventors: John P. Chap, Lemont; Dorothy Greenberg, Oak Park, both of Ill.

[73] Assignee: Selfix, Inc., Chicago, Ill.

[**] Term: 14 Years

[21] Appl. No.: 231,243

[22] Filed: Aug. 12, 1988

[52] U.S. Cl. D6/523

[58] Field of Search D6/524, 518, 522-523, D6/546; 211/13, 16, 86-87, 105.2, 123; 242/55.2

References Cited

U.S. PATENT DOCUMENTS

| | | | | |
|------------|---------|----------------|-------|----------|
| D. 274,027 | 5/1984 | Thompson | | D6/546 |
| D. 277,347 | 1/1985 | Thompson | | D6/523 |
| D. 291,518 | 8/1987 | Chap | | D6/523 |
| D. 302,222 | 7/1989 | Joss et al. | | D6/523 |
| 2,528,055 | 10/1950 | Hartley et al. | | D6/523 X |

OTHER PUBLICATIONS

Hardware Age (Mar. 1980) p. 141 Selfix Advertisement, Toilet Paper Holder.

Selfix Product Catalogue-Barthmore's Section, p. 7, Hook #2111.

Primary Examiner—Wallace R. Burke

Assistant Examiner—Brian N. Vinson

Attorney, Agent, or Firm—Dressler, Goldsmith, Shore, Sutker & Milnamow, Ltd.

[57] CLAIM

The ornamental design for a toilet paper holder with roller, as shown and described.

DESCRIPTION

FIG. 1 is a perspective view of a toilet paper holder with roller showing our new design;

FIG. 2 is a top plan view thereof;

FIG. 3 is a front elevational view thereof;

FIG. 4 is a left side elevational view thereof, the right side view being identical;

FIG. 5 is a rear elevational view thereof; and

FIG. 6 is a bottom plan view thereof.

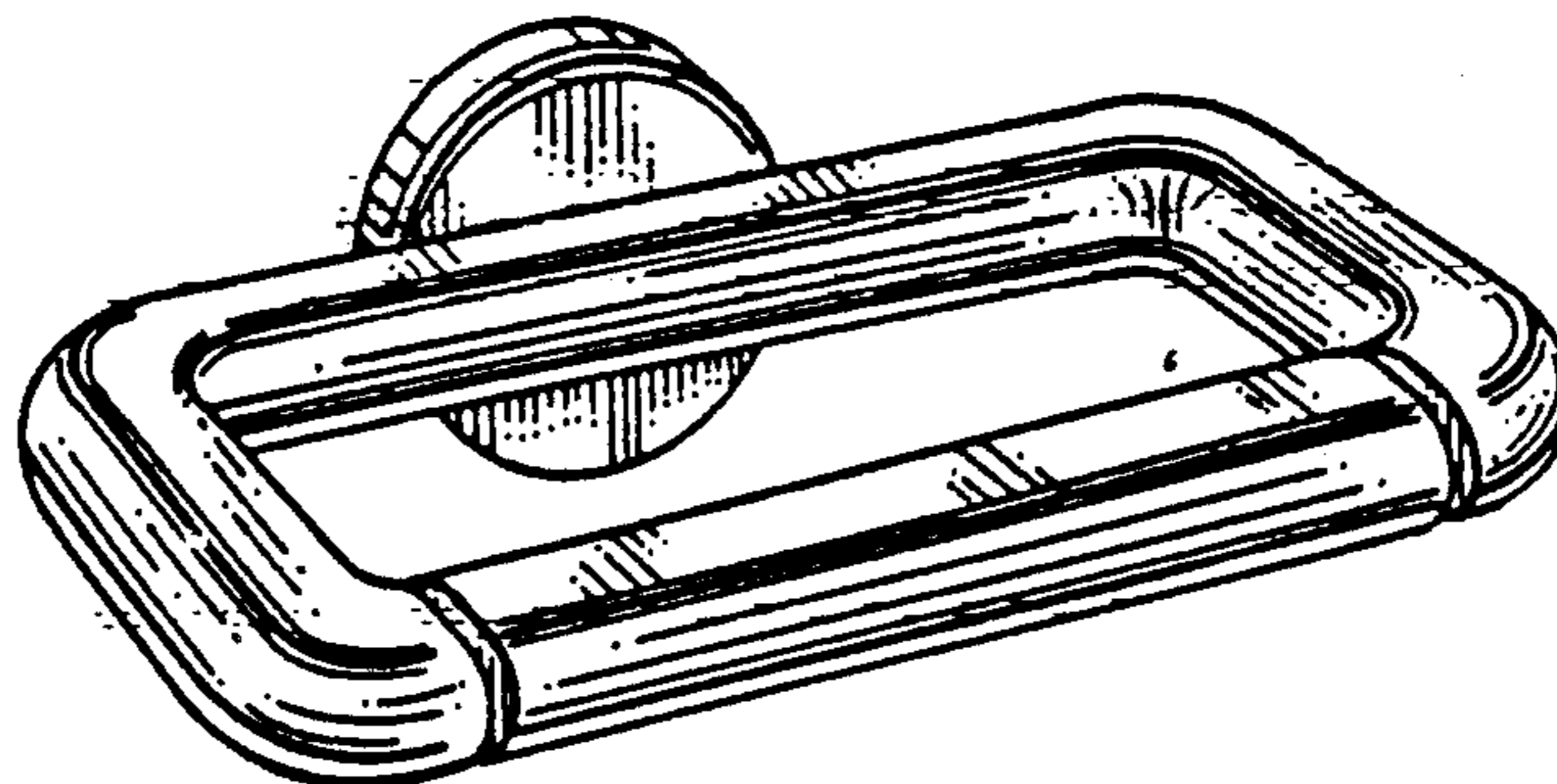


FIG. 1

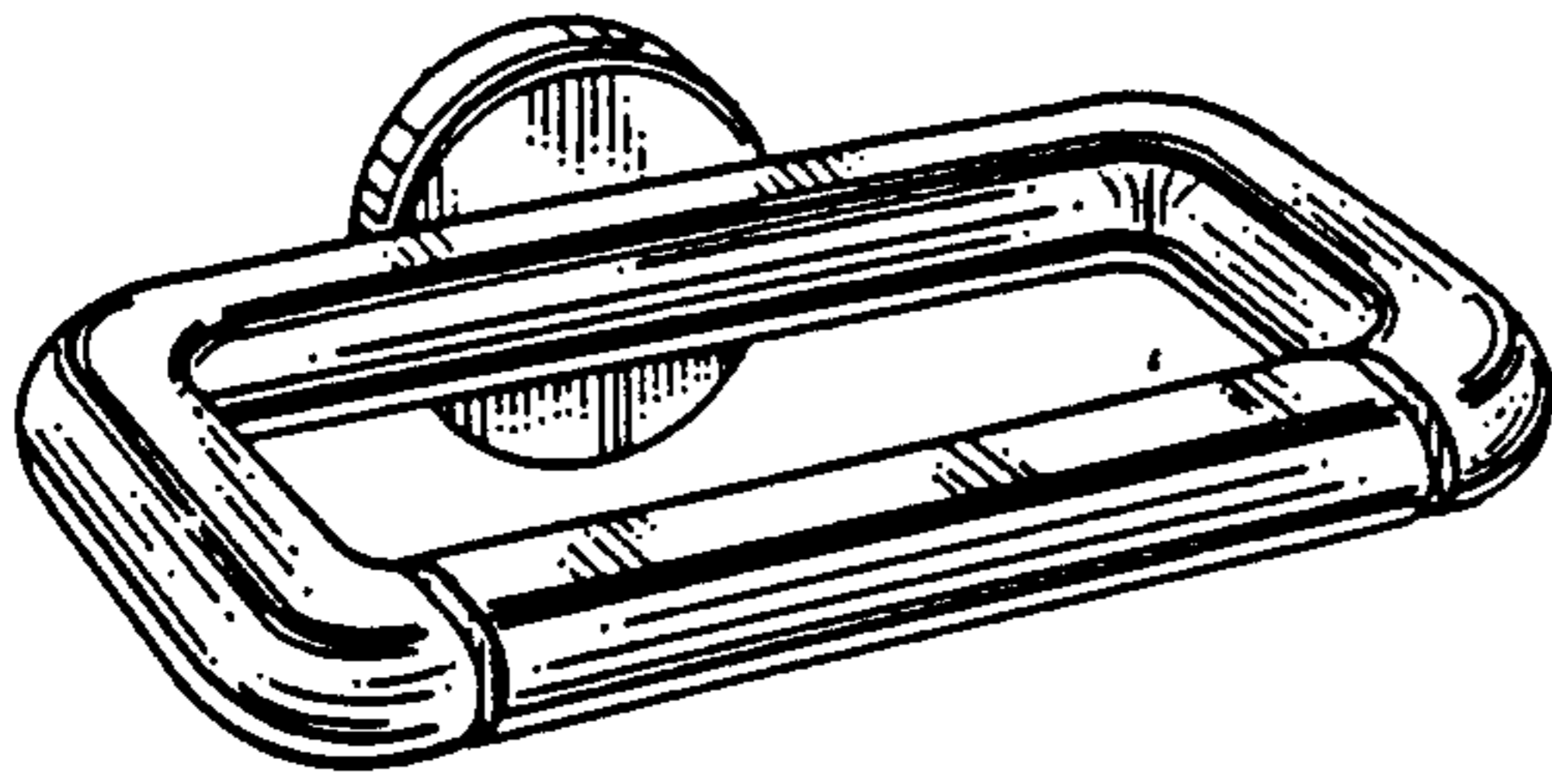


FIG. 2

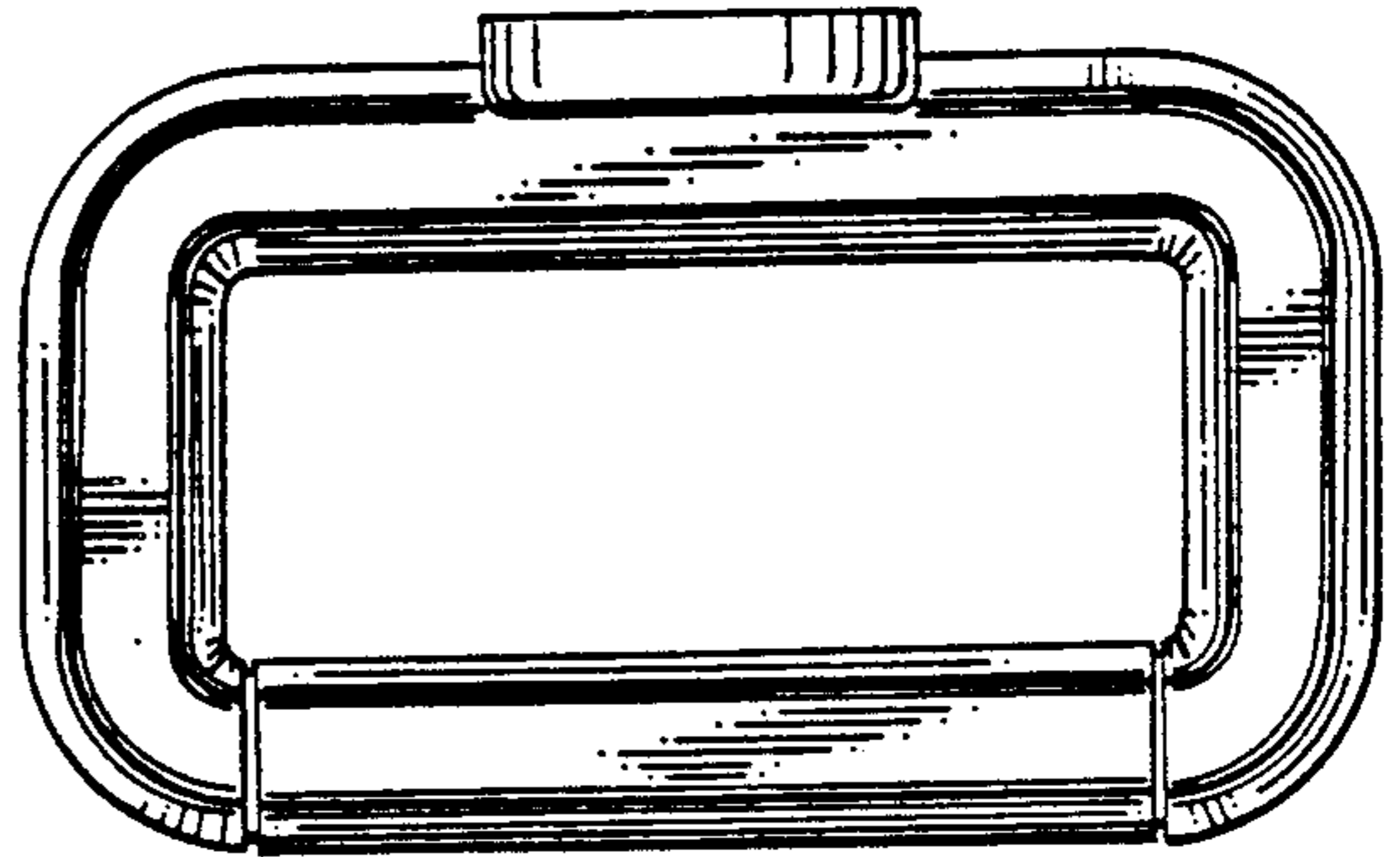


FIG. 4

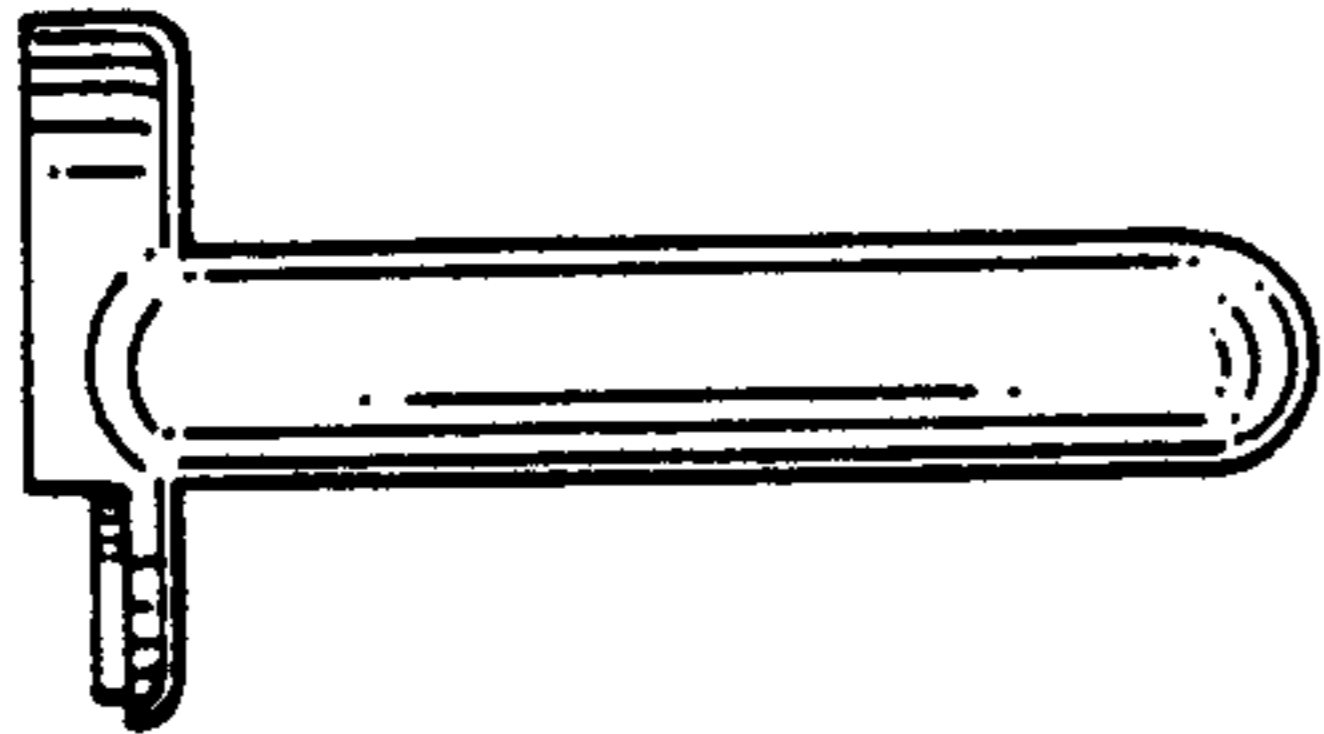


FIG. 3

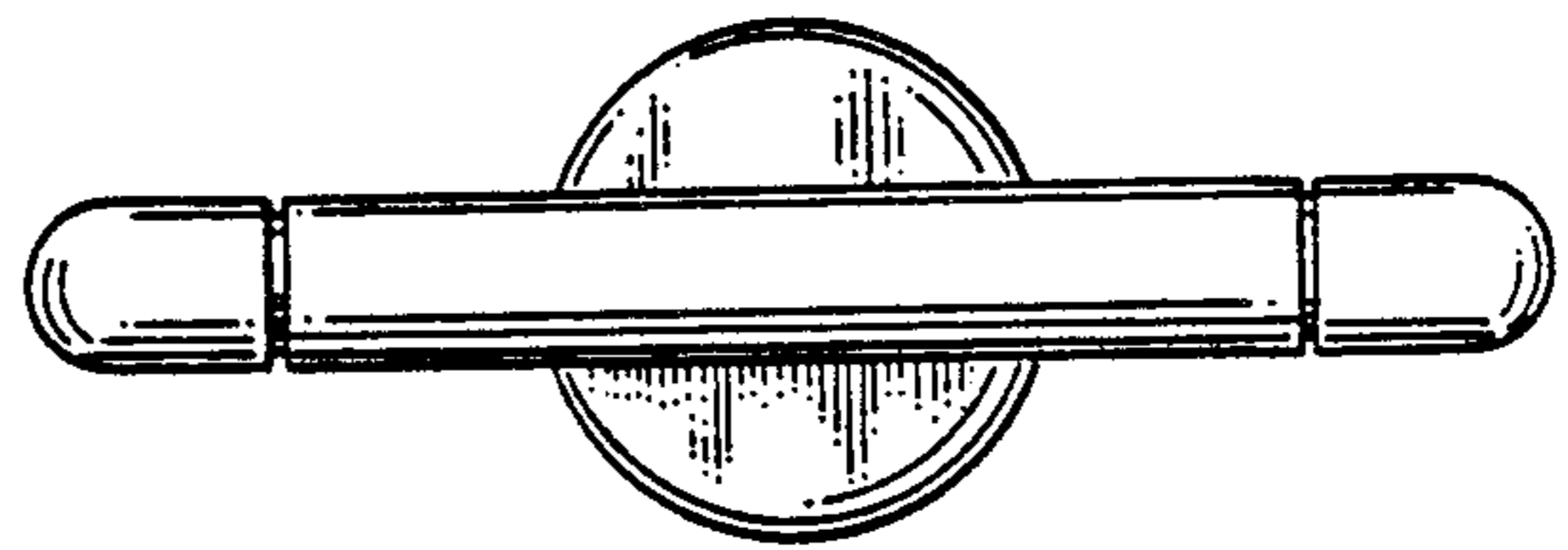


FIG. 5

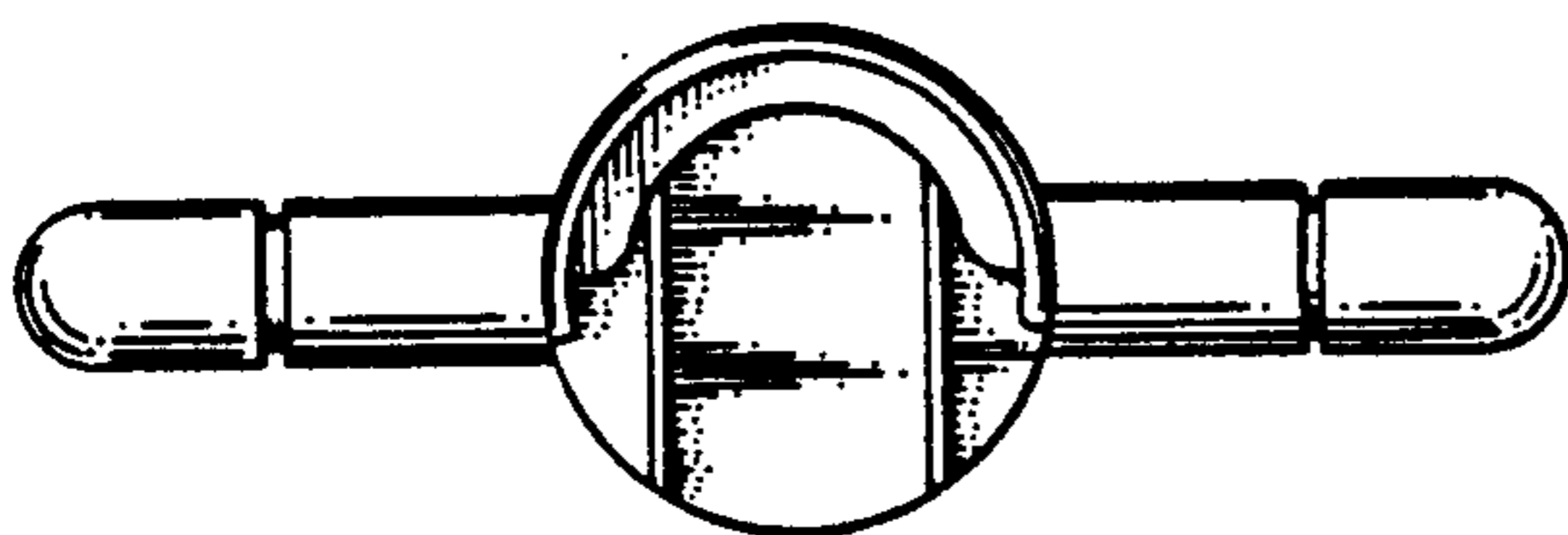


FIG. 6

