

[54] ADJUSTABLE ARMREST ATTACHMENT

[75] Inventor: Richard Szadkowski, Edmonds, Wash.

[73] Assignee: Lucy Szadkowski, Lynnwood, Wash.

[**] Term: 14 Years

[21] Appl. No.: 142,878

[22] Filed: Jan. 7, 1988

Related U.S. Application Data

[63] Continuation-in-part of Ser. No. 897,902, Aug. 19, 1986.

[52] U.S. Cl. D6/501

[58] Field of Search D6/334, 356, 366, 367, D6/368, 379, 462, 495, 496, 500, 501, 511, 502; D24/1.1, 3, 64; 297/411, 412, 414, 416

[56] References Cited

U.S. PATENT DOCUMENTS

D. 177,324	4/1956	Hartman	D6/511
D. 277,916	3/1985	Aronowitz et al.	D6/501
1,691,613	11/1928	Roach et al.	297/412
2,477,898	8/1949	Rehman et al.	297/411
2,630,288	3/1953	Eubanks, Sr.	297/411 X
3,206,249	9/1965	Gateley	297/416

Primary Examiner—Bruce W. Dunkins

Assistant Examiner—Janice Seeger

Attorney, Agent, or Firm—Ward Brown; Robert W. Beach

[57] CLAIM

The ornamental design for an adjustable armrest attachment, as shown and described.

DESCRIPTION

FIG. 1 is a perspective view of an adjustable armrest attachment, showing my new design;

FIG. 2 is a front elevational view thereof;

FIG. 3 is a top plan view thereof;

FIG. 4 is a rear elevational view thereof;

FIG. 5 is a right side elevation view thereof;

FIG. 6 is a bottom plan view thereof;

FIG. 7 is a perspective view of an adjustable armrest attachment, showing a second embodiment of my new design, a chair being shown therein in broken lines for illustrative purposes only;

FIG. 8 is a front elevational view of the second embodiment thereof;

FIG. 9 is a top plan view of the second embodiment thereof;

FIG. 10 is a rear elevational view of the second embodiment thereof;

FIG. 11 is a side elevational view of the second embodiment thereof;

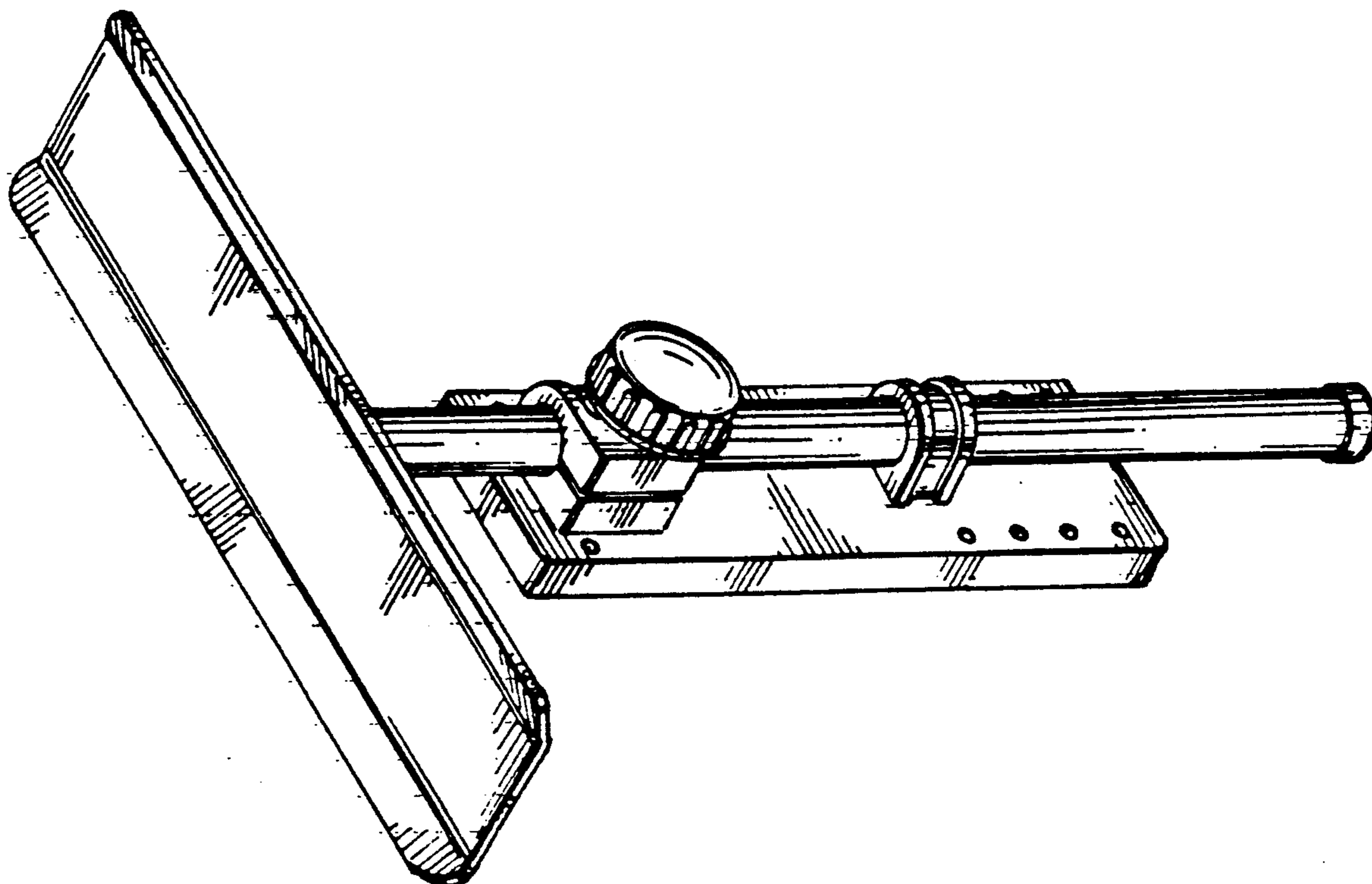
FIG. 12 is a bottom plan view of the second embodiment thereof;

FIG. 13 is a perspective view of an adjustable armrest attachment, showing a third embodiment of my new design;

FIG. 14 is a perspective view of the third embodiment, showing the opposite side thereof;

FIG. 15 is a perspective view of an adjustable armrest attachment showing a fourth embodiment of my new design; and

FIG. 16 is a perspective view of the fourth embodiment, showing the opposite side thereof.



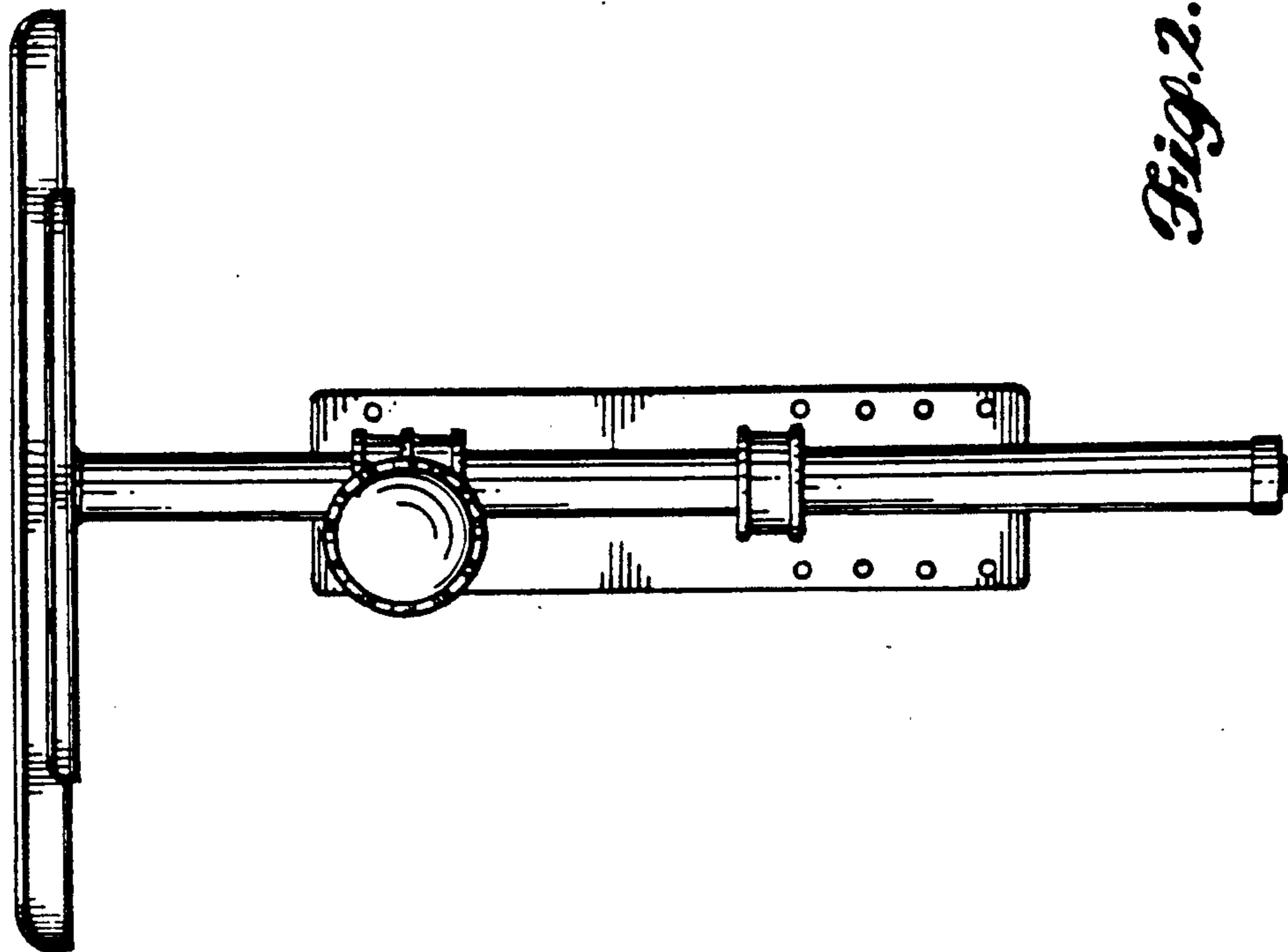


Fig. 2.

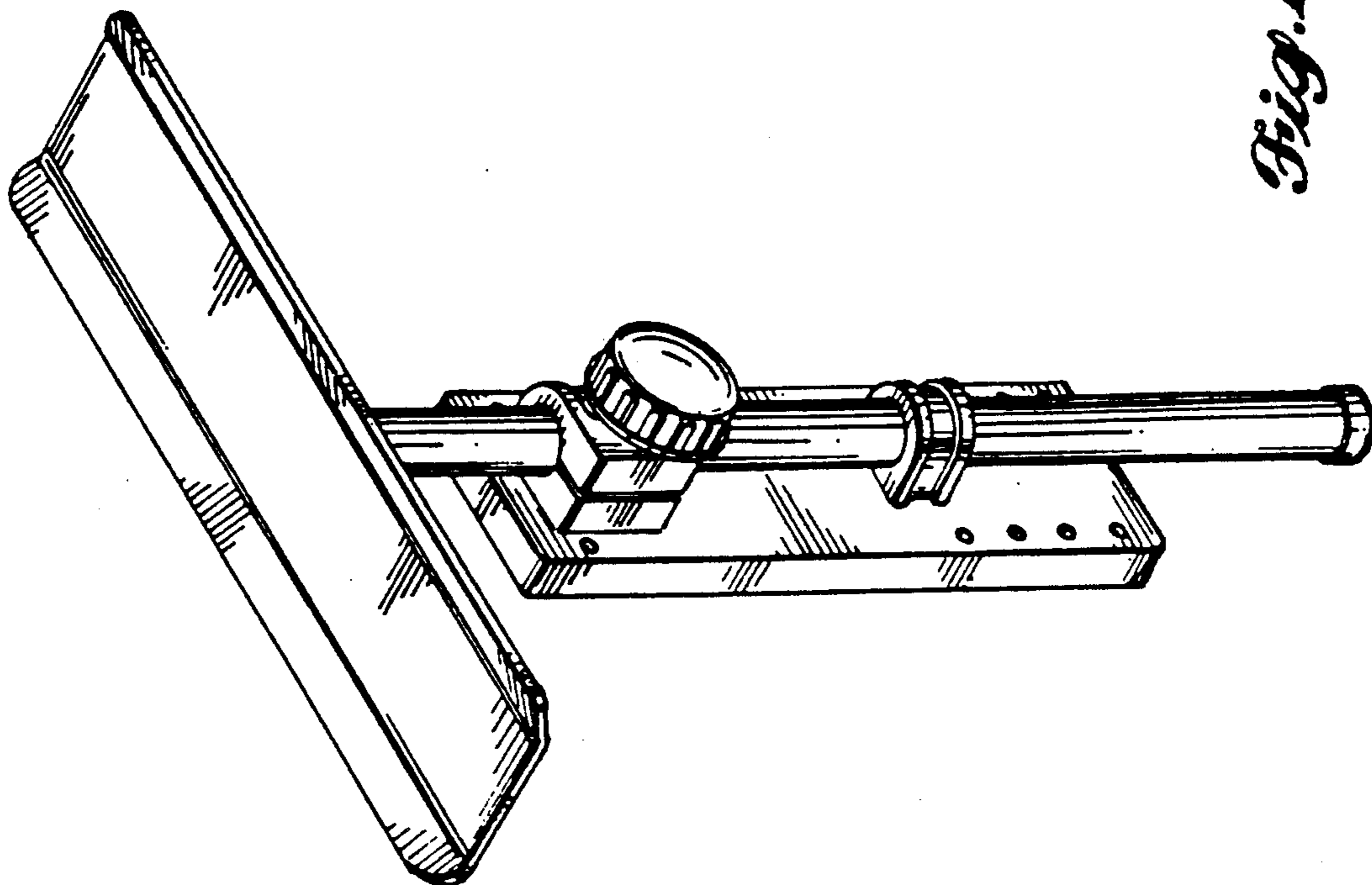


Fig. 1.

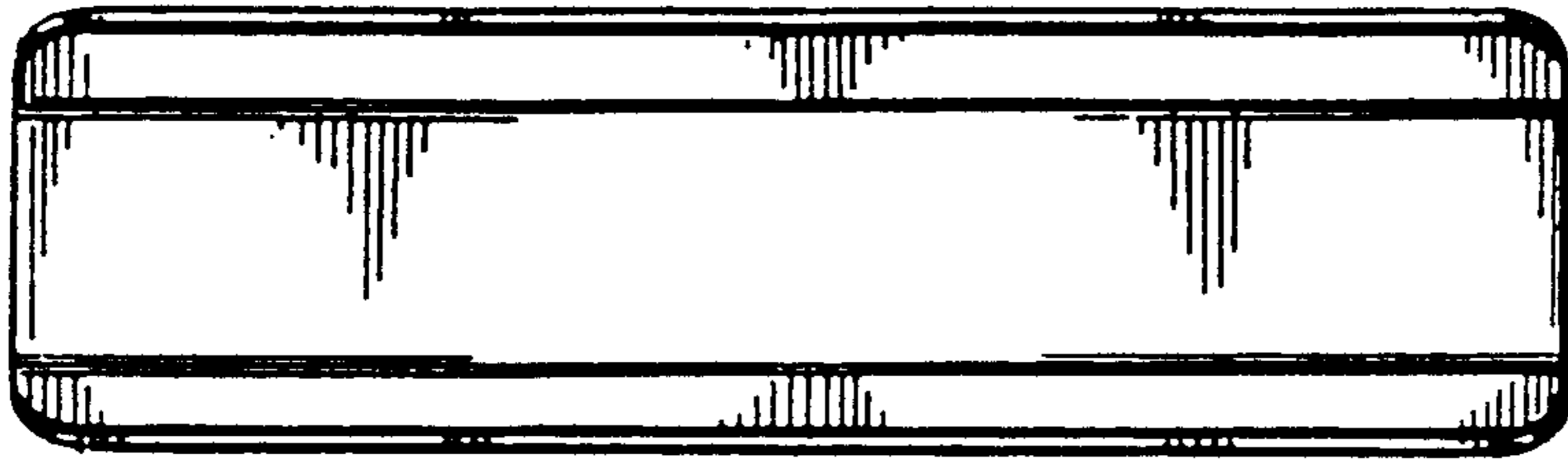


Fig. 3.

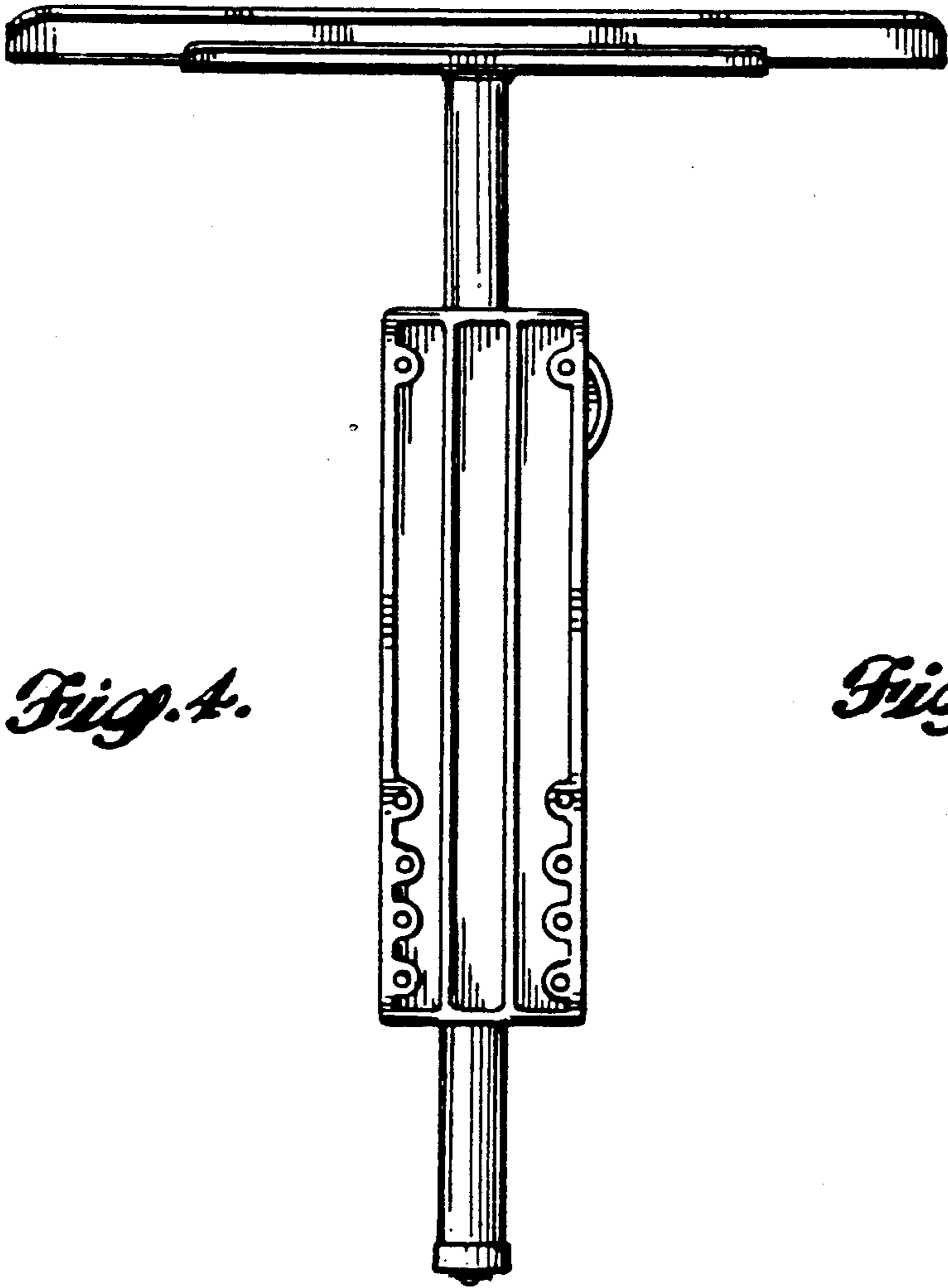


Fig. 4.

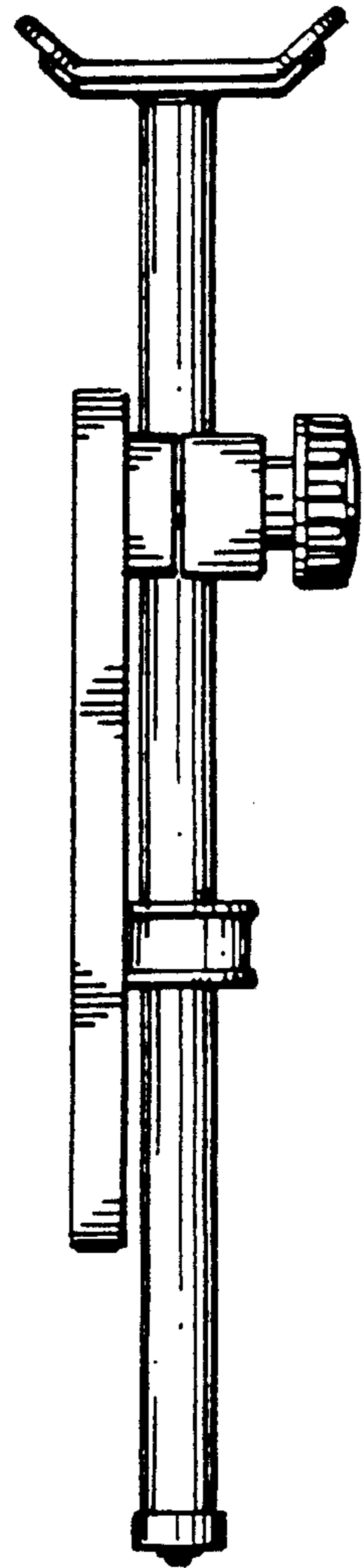


Fig. 5.

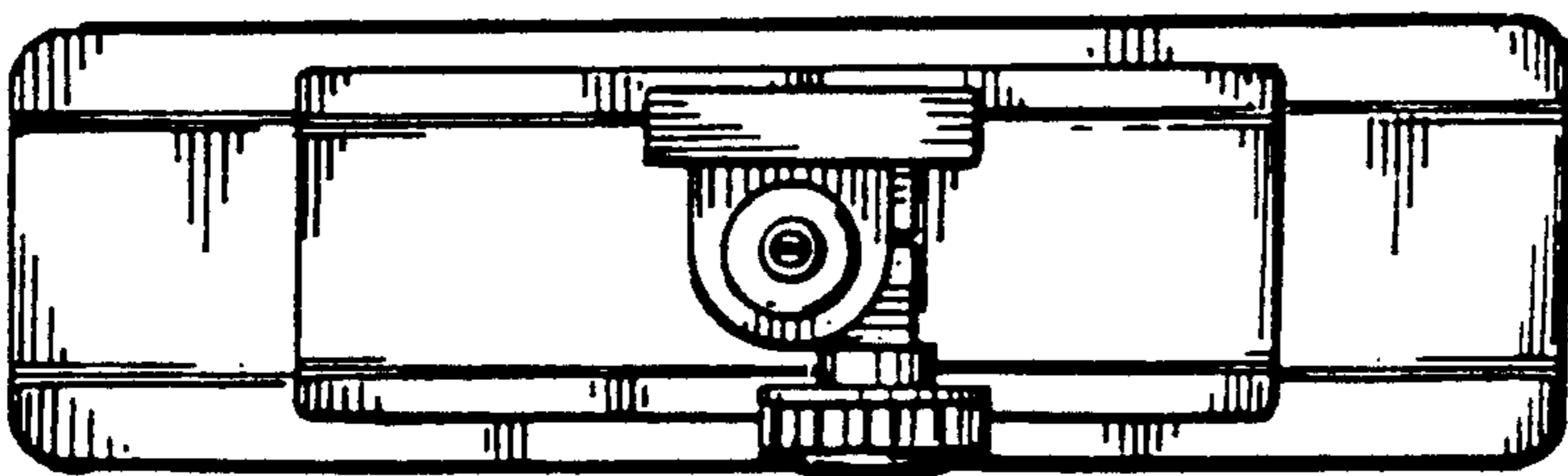


Fig. 6.

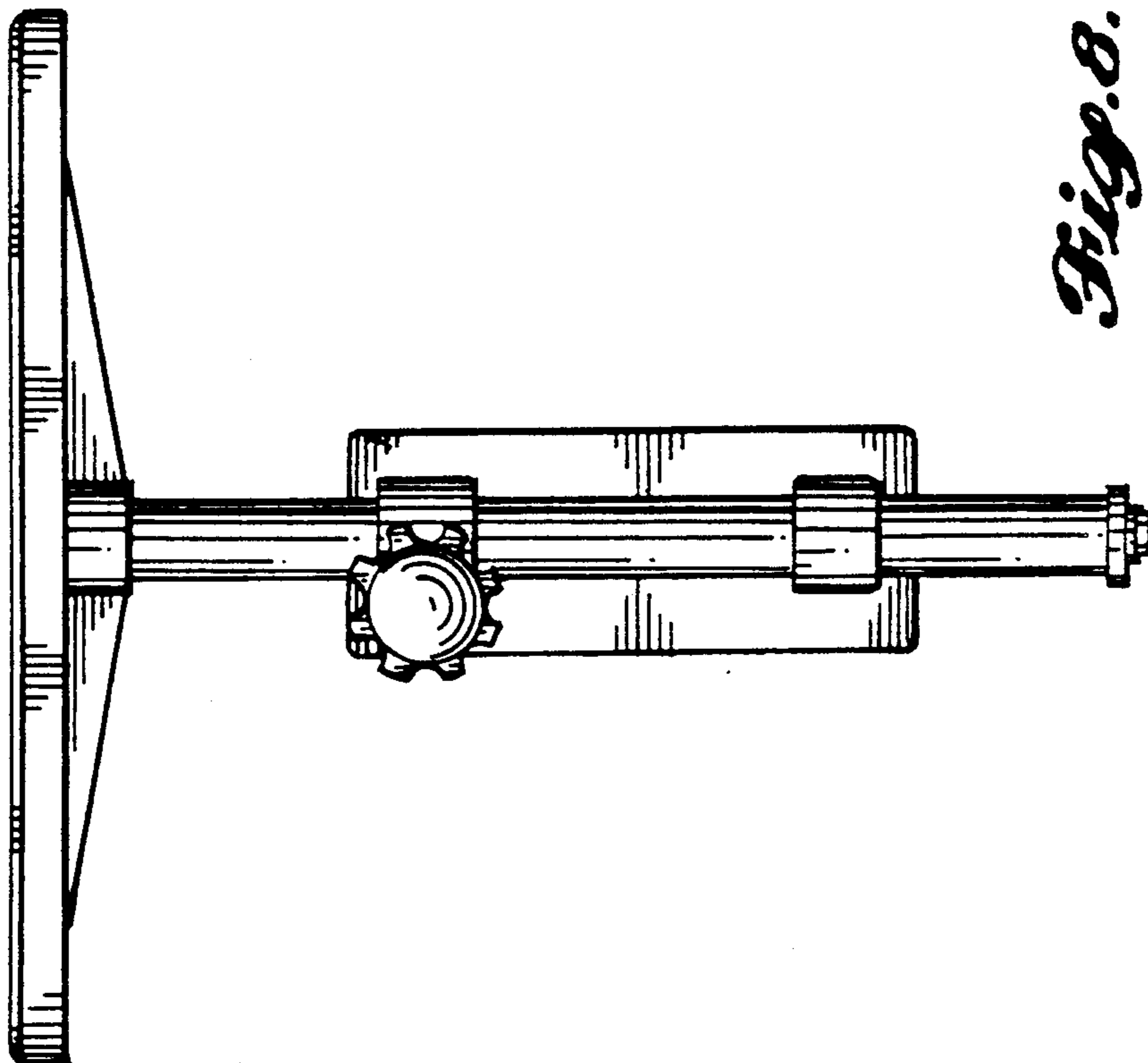


Fig. 8.

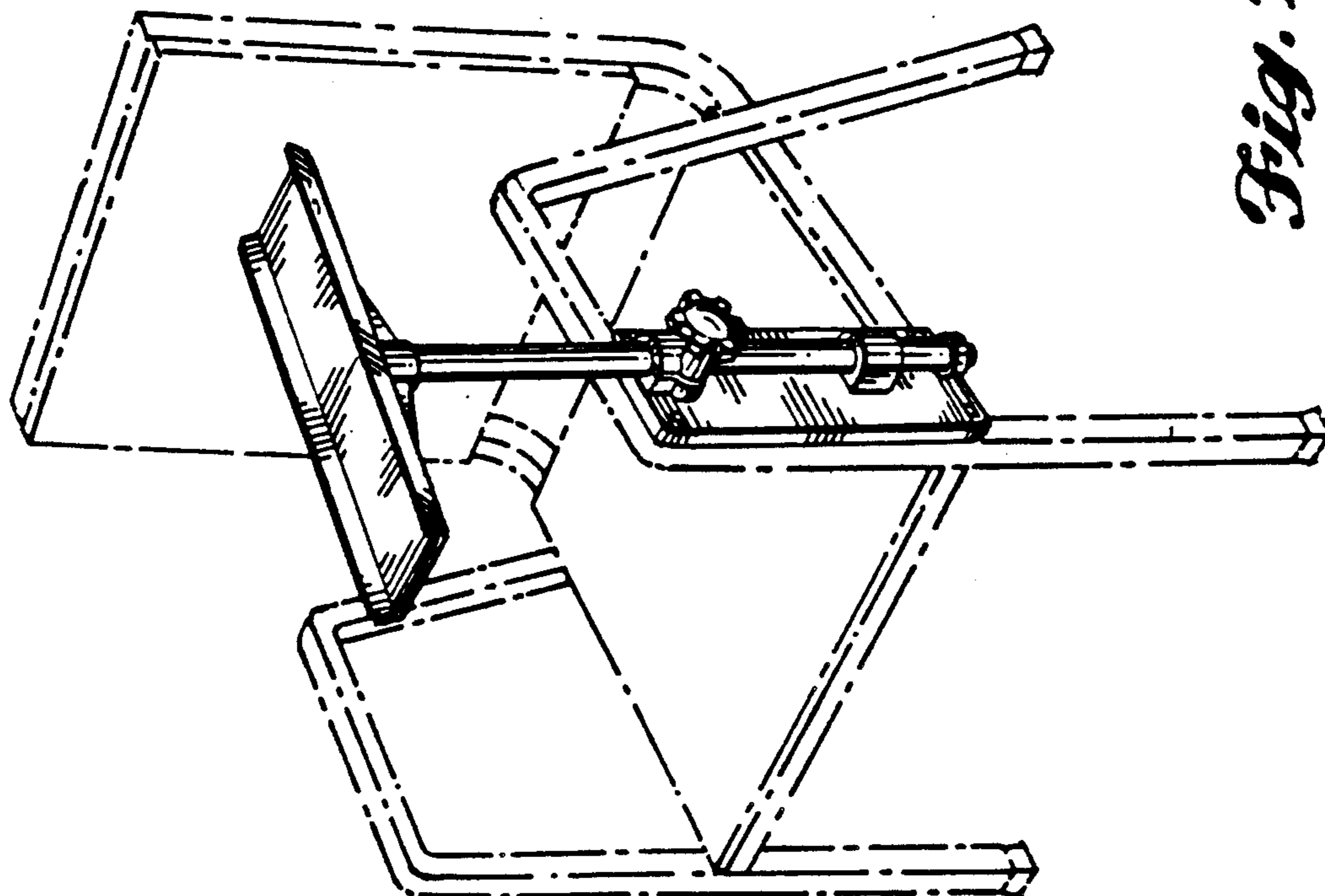


Fig. 7.

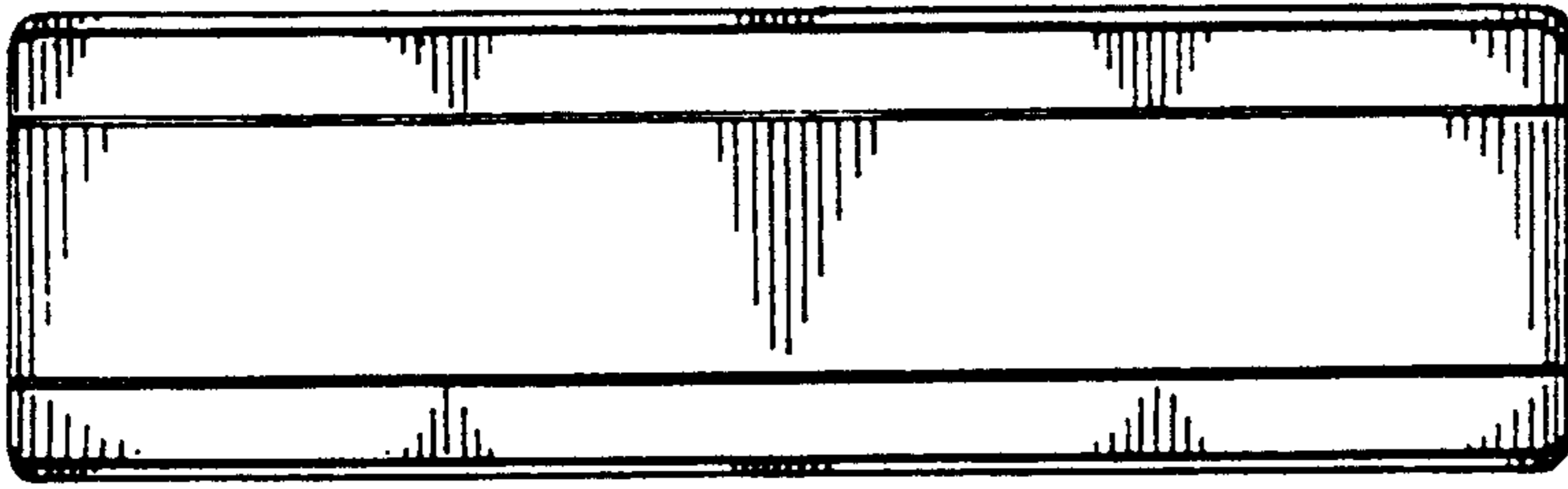


Fig. 9.

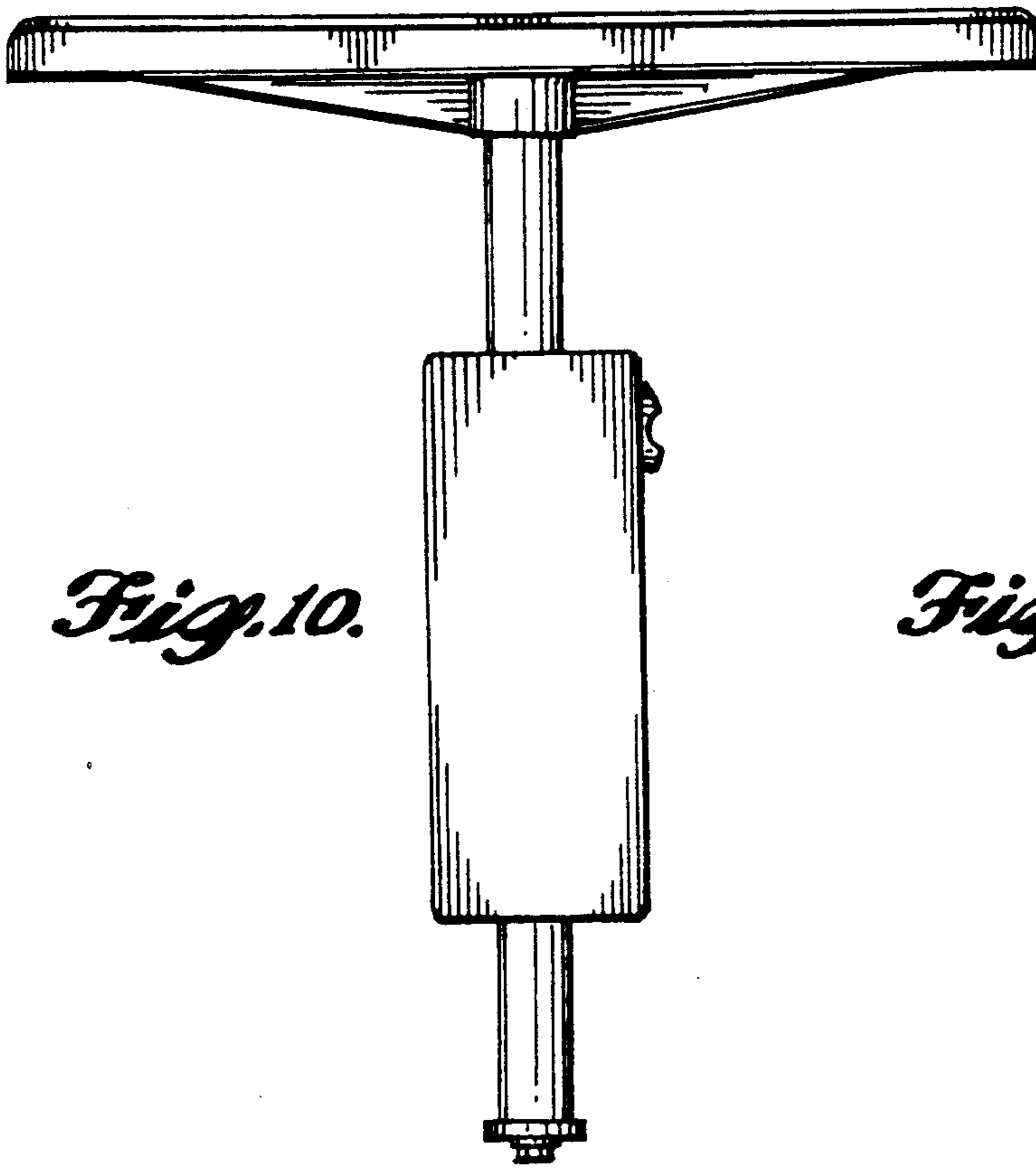


Fig. 10.

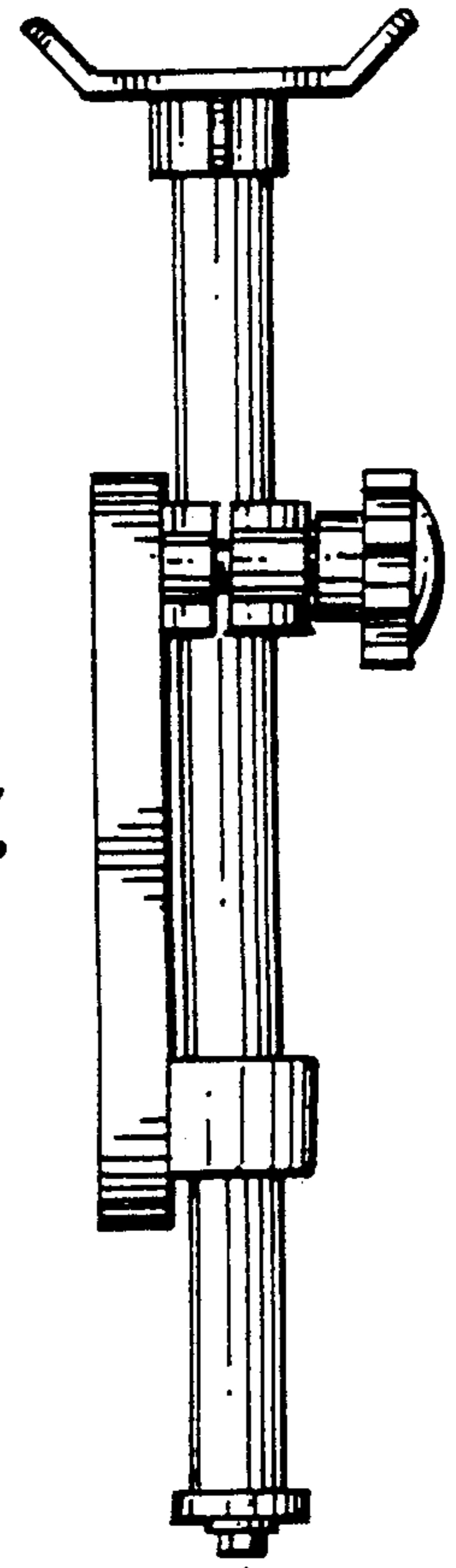


Fig. 11.

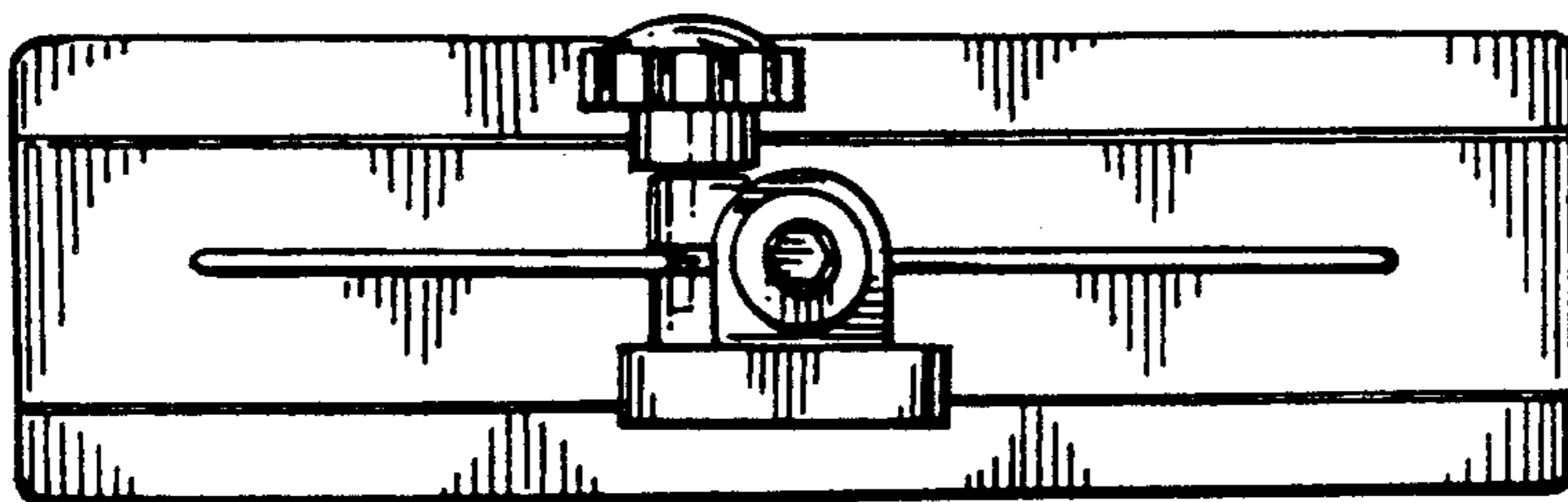


Fig. 12.

