

[54] TABLE

[75] Inventor: Sohrab Vossoughi, Portland, Oreg.
 [73] Assignee: Anthro Corporation, Portland, Oreg.
 [**] Term: 14 Years
 [21] Appl. No.: 116,116
 [22] Filed: Oct. 28, 1987
 [52] U.S. Cl. D6/484
 [58] Field of Search D6/480, 481, 483-486,
 D6/488, 489, 495, 511, 422, 428

[56] References Cited

U.S. PATENT DOCUMENTS

D. 281,297 11/1985 Esslinger D6/484
 D. 284,532 7/1986 Vogt D6/480 X
 D. 289,954 3/1987 Worrell et al. D6/511
 D. 292,154 10/1987 Worrell et al. D6/480 X
 D. 294,440 3/1988 Werner D6/422
 D. 306,105 3/1990 Newhouse D6/428 X

OTHER PUBLICATIONS

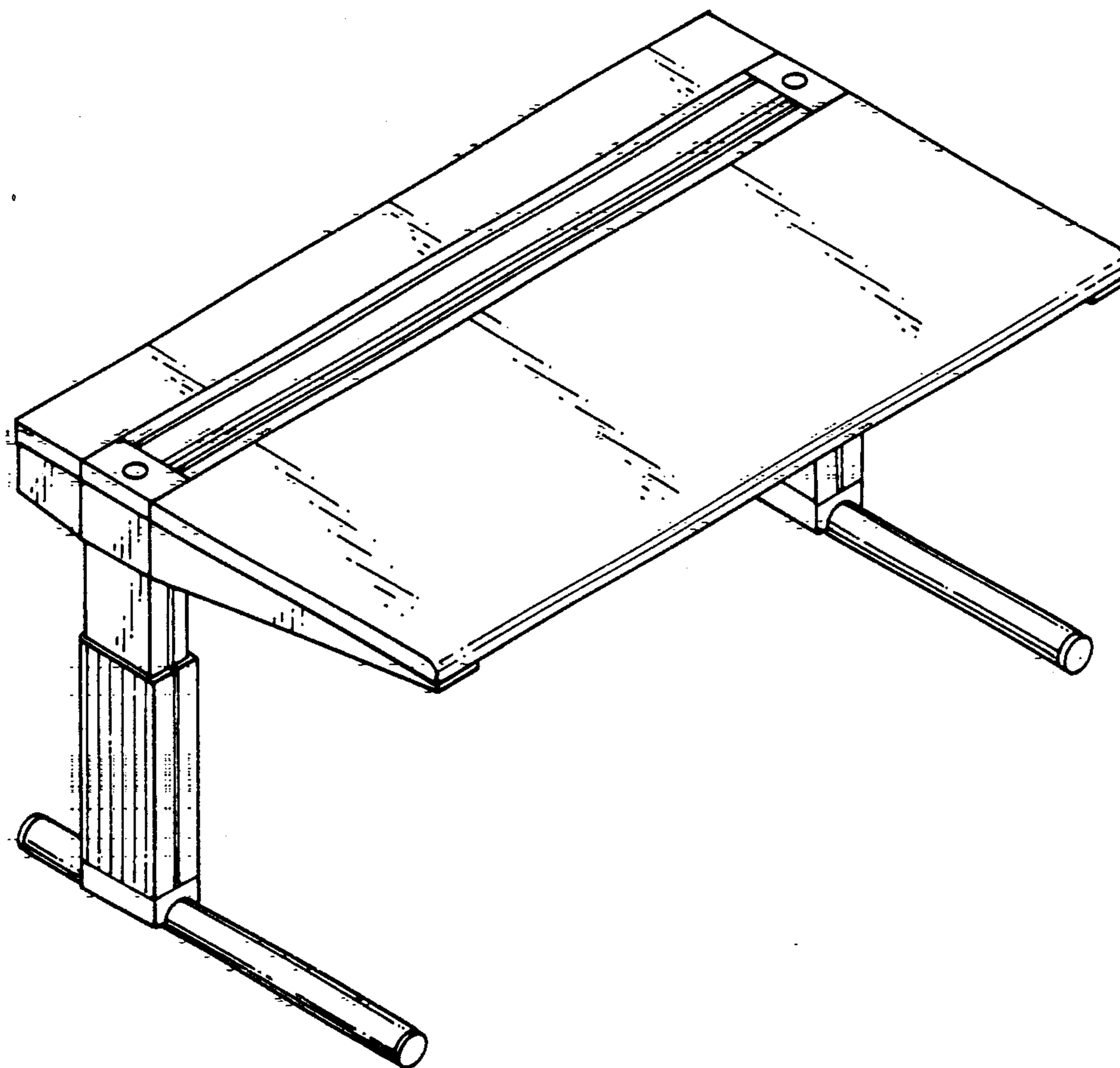
Krueger GSA/Furniture, p. 5 of Data Board 920 Brochure, lower far right.
 Domus, Oct. 1981, p. Q.
 Primary Examiner—Bruce W. Dunkins
 Assistant Examiner—Janice E. Seeger
 Attorney, Agent, or Firm—Dellett, Smith-Hill and Bedell

[57] CLAIM

The ornamental design for a table, as shown and described.

DESCRIPTION

FIG. 1 is a front elevational view of a table, showing my new design;
 FIG. 2 is a top plan view;
 FIG. 3 is a bottom plan view;
 FIG. 4 is a rear elevational view;
 FIG. 5 is a side elevational view, the opposite side being a mirror image thereof; and
 FIG. 6 is a top perspective view.



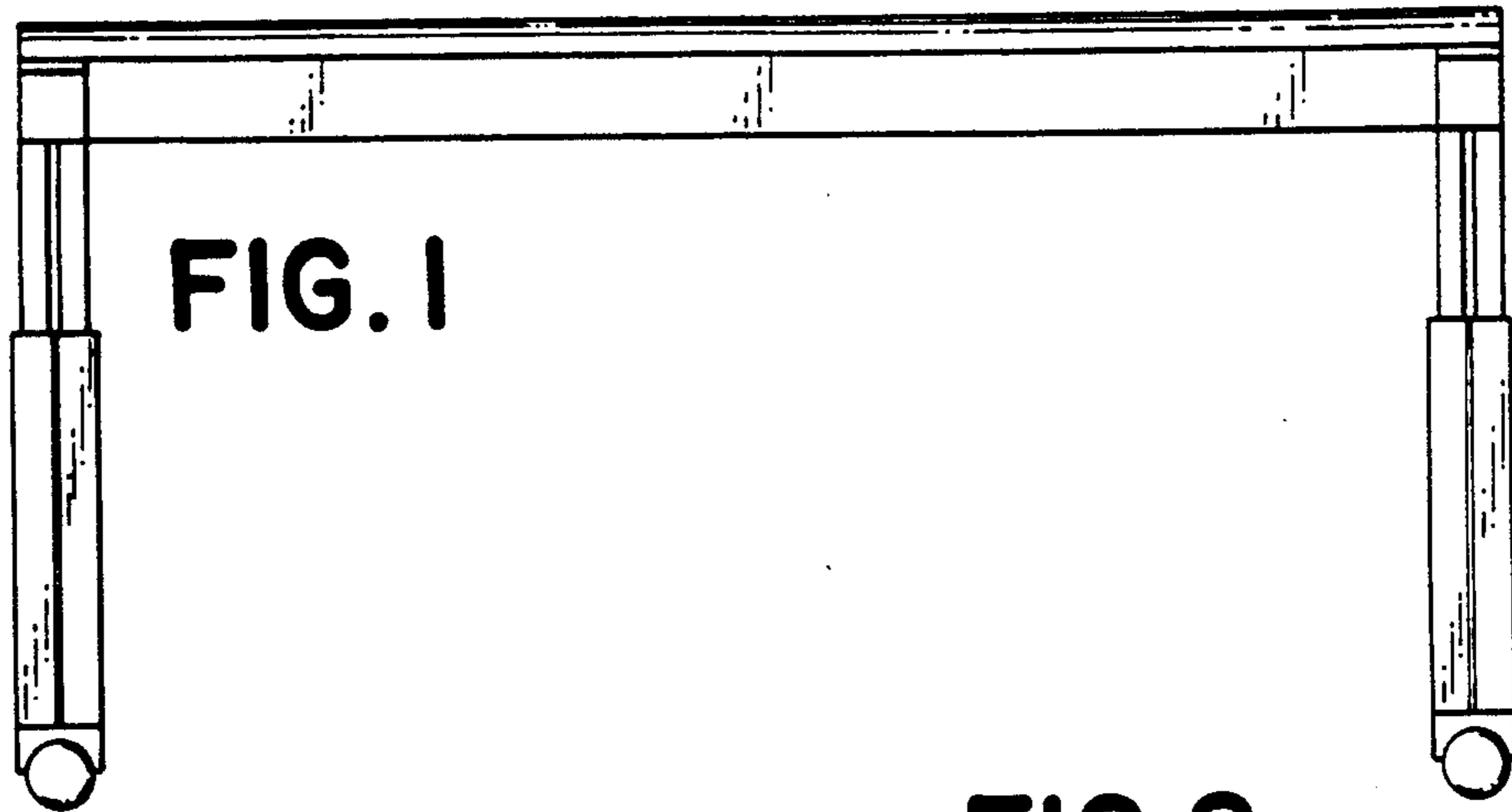


FIG. 2

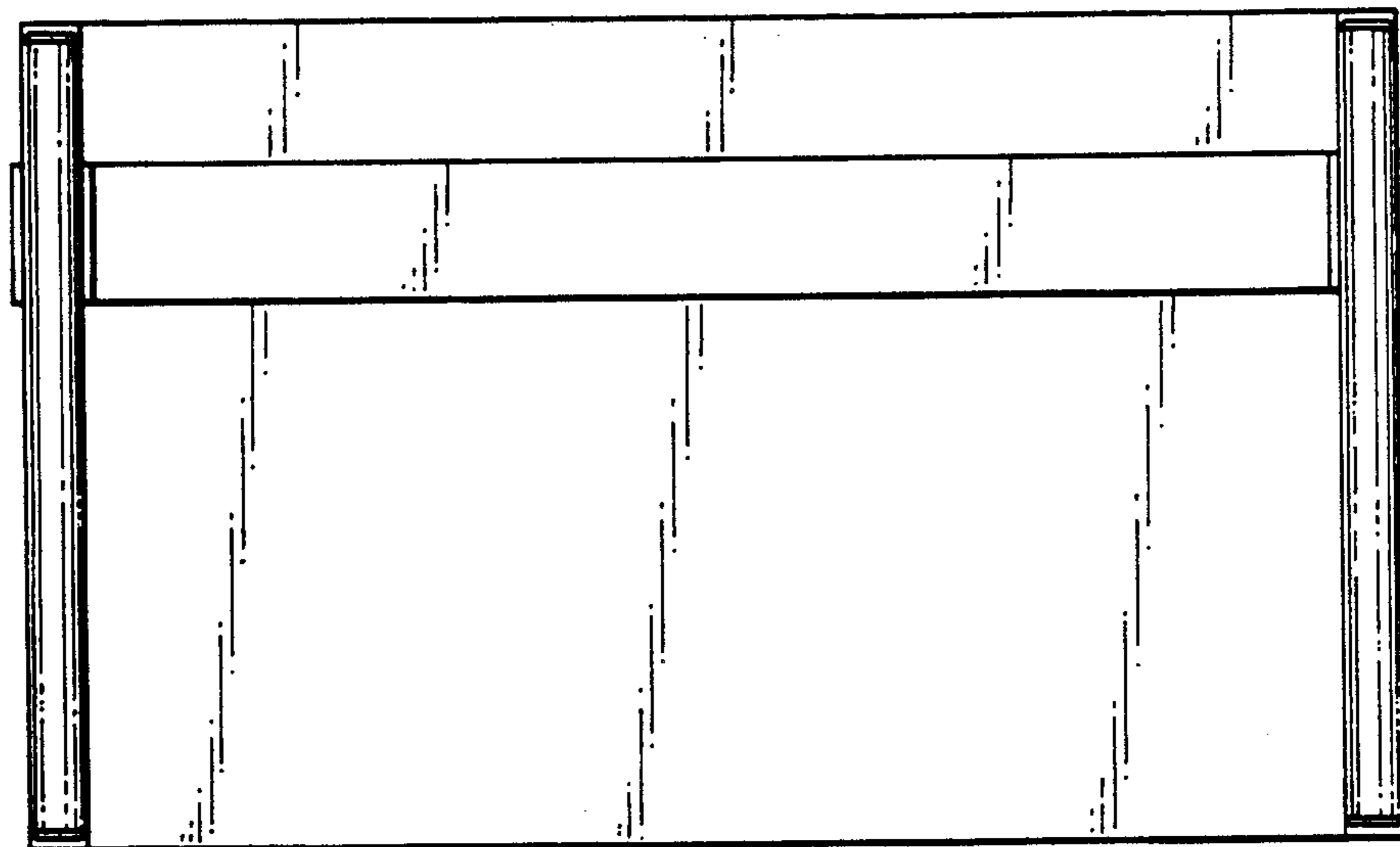
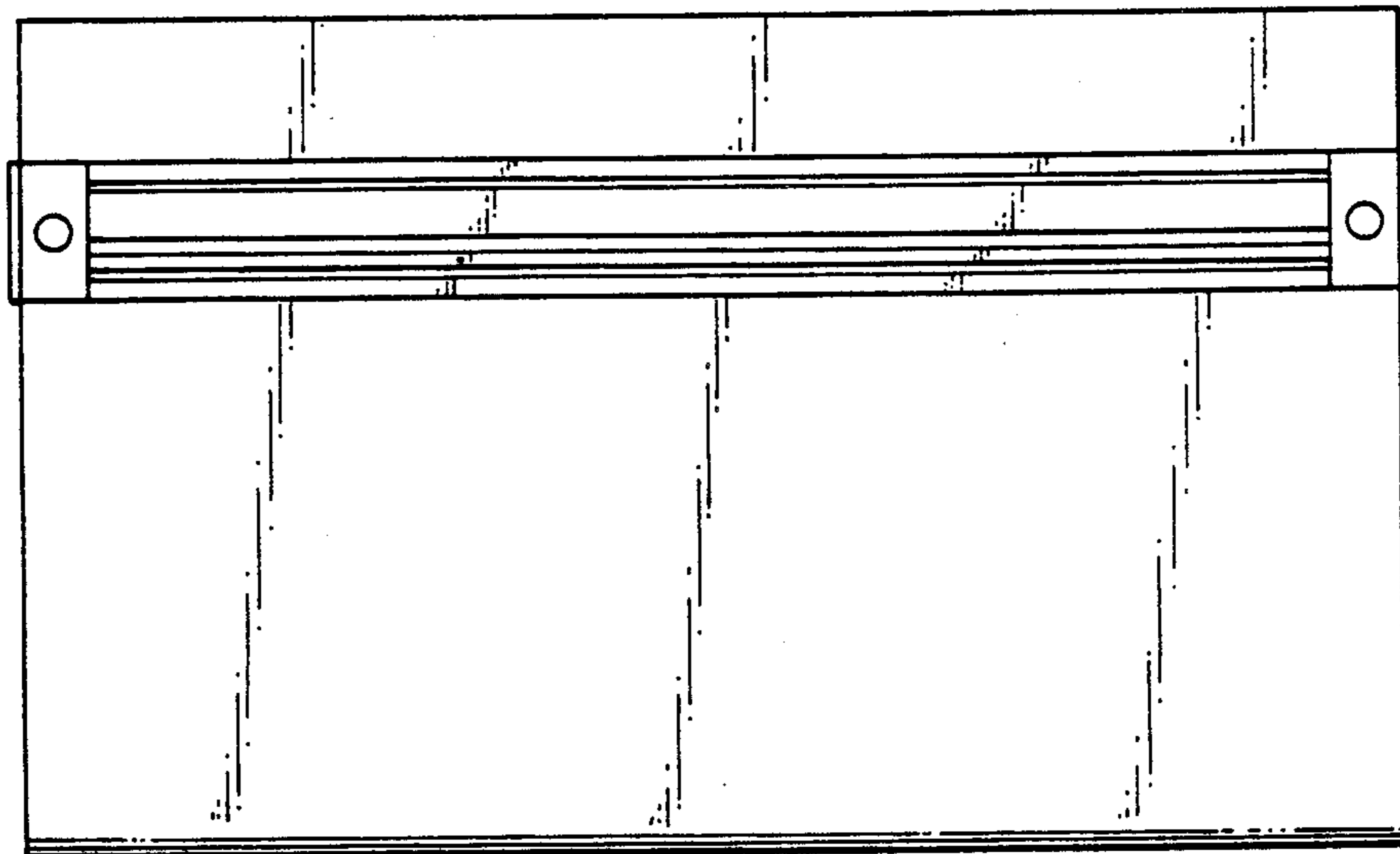


FIG. 3

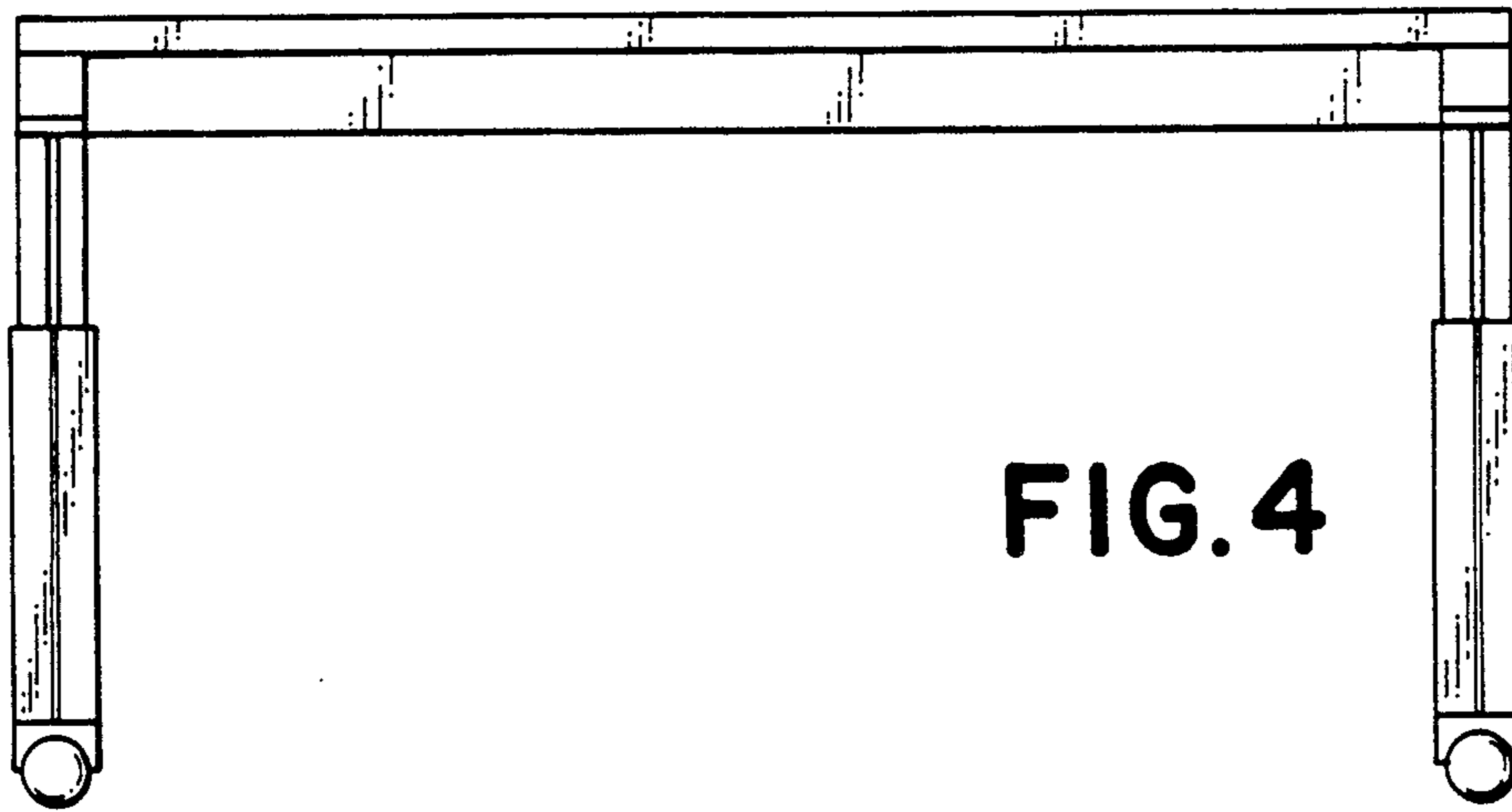


FIG. 4

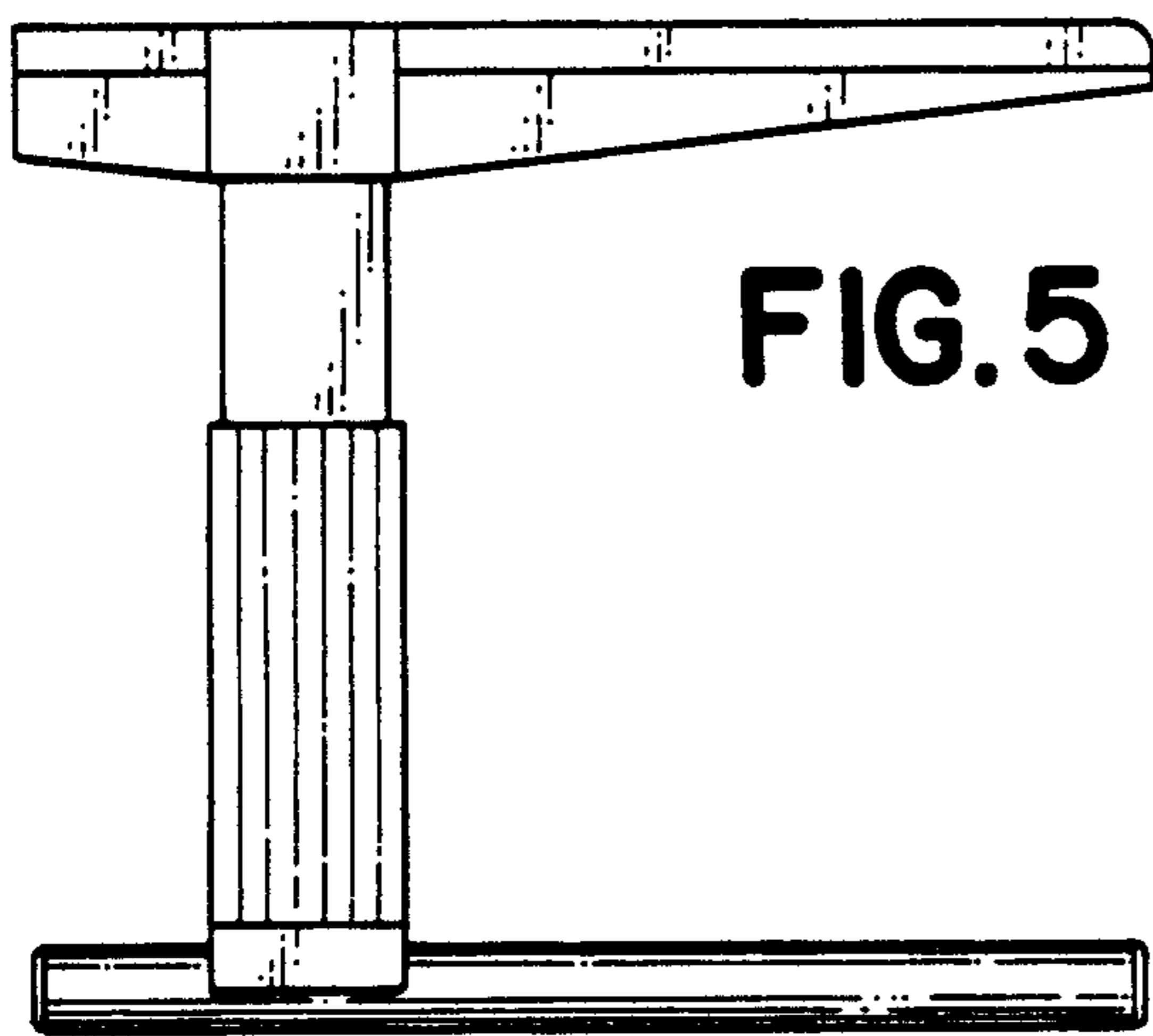


FIG. 5

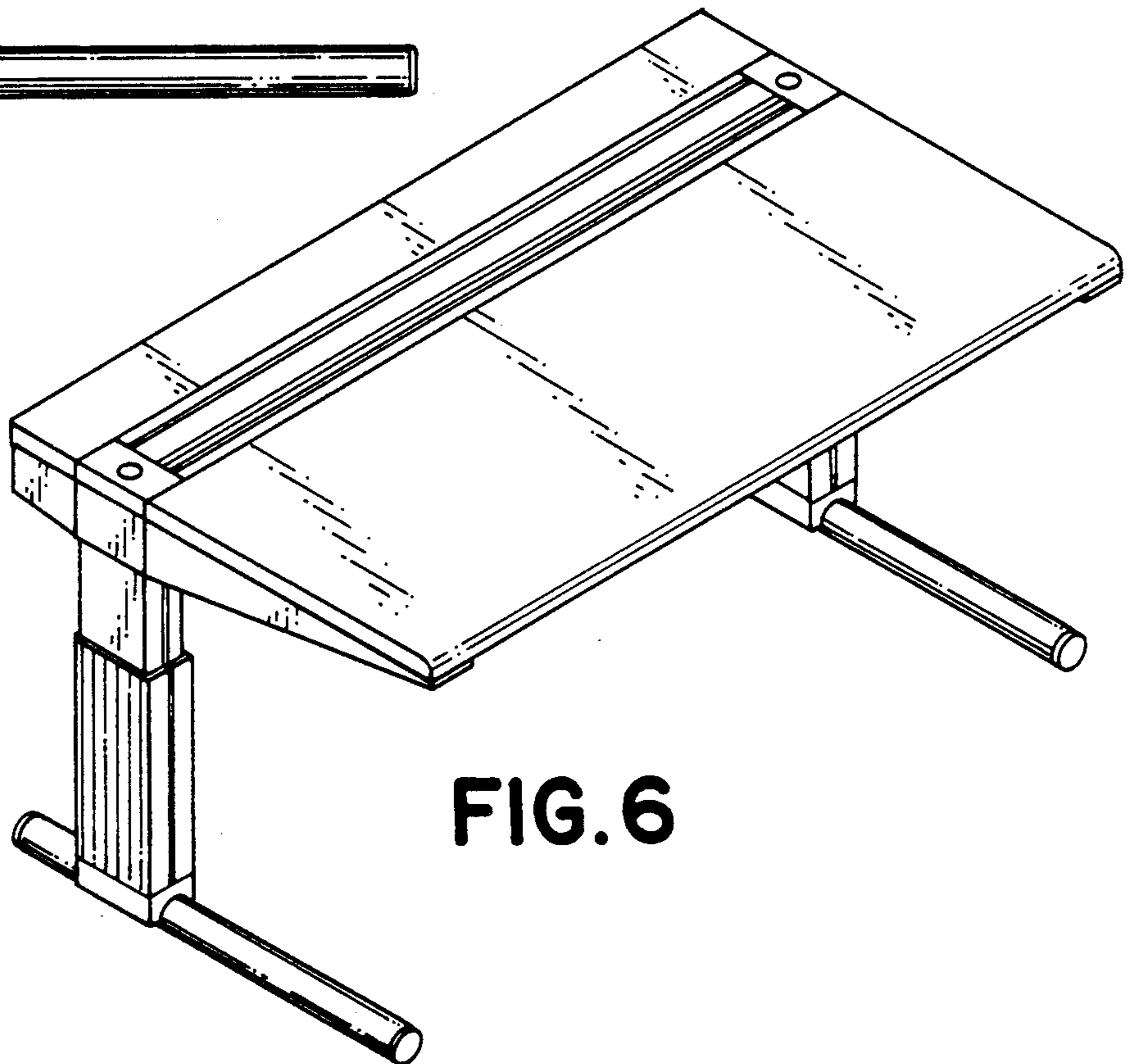


FIG. 6