

[54] TABLETOP STAND FOR A PH METER

[75] Inventor: **Ronald C. Johnson**, Fullerton, Calif.

[73] Assignee: **Beckman Instruments, Inc.**, Fullerton, Calif.

[**] Term: **14 Years**

[21] Appl. No.: **97,467**

[22] Filed: **Sep. 16, 1987**

[52] U.S. Cl. **D6/467; D6/469; D24/8**

[58] Field of Search **D6/449, 457, 466, 467, D6/468, 469, 514; D19/78; D24/8; 248/346; 211/74; 206/564**

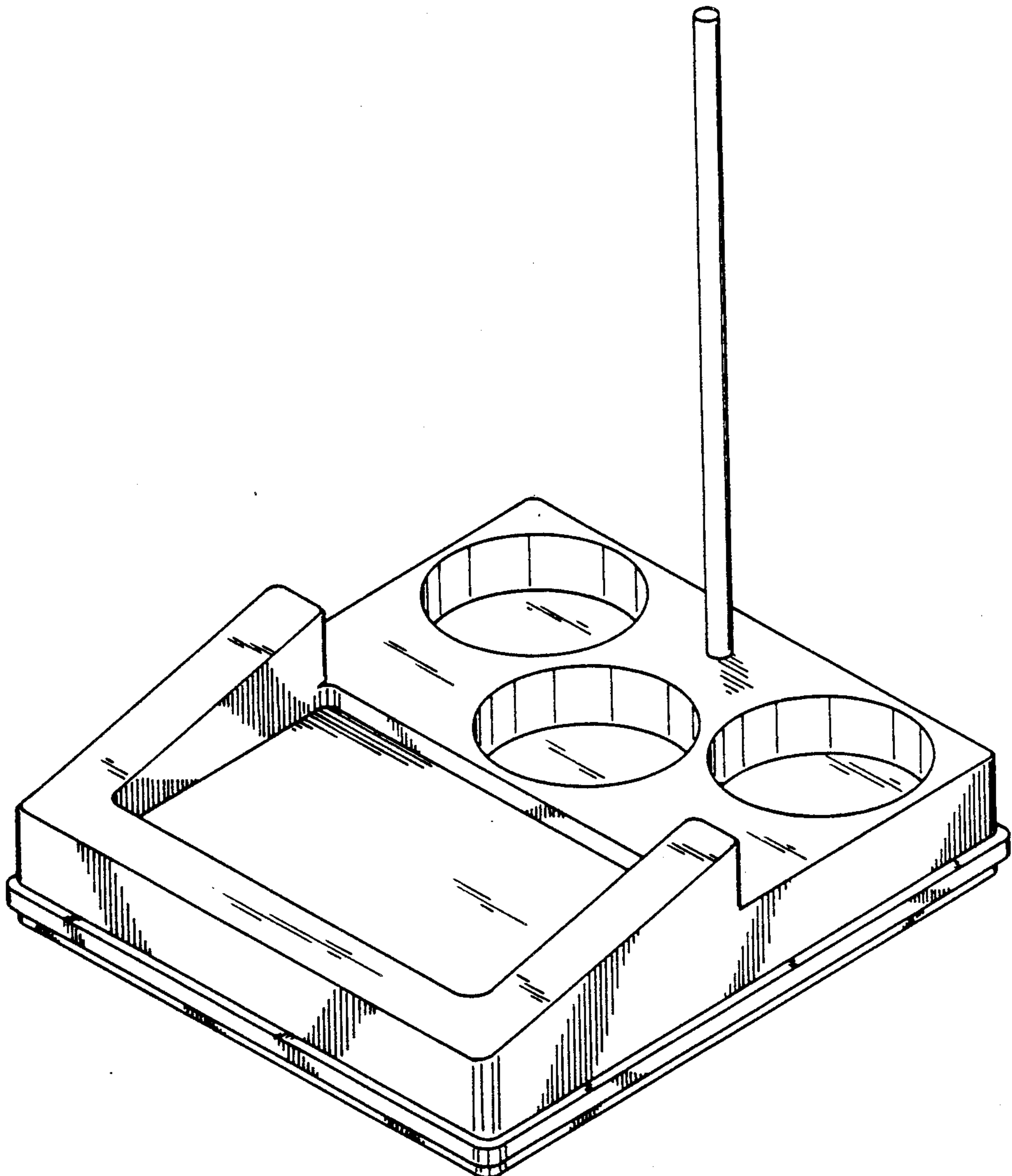
D. 268,072 3/1983 Boggs D6/510
 D. 288,883 3/1987 Loughridge D6/469 X
 D. 296,794 7/1988 Leithauser D19/78
 2,897,974 8/1959 Cook 248/346
 3,381,825 5/1968 Bessett 211/74
 4,754,883 7/1988 Grzywa 206/564

Primary Examiner—Bruce W. Dunkins
Assistant Examiner—Jeffrey Asch
Attorney, Agent, or Firm—William H. May; Paul R. Harder

[56] **References Cited**
U.S. PATENT DOCUMENTS
 D. 173,761 12/1954 Meltzer D6/466 X
 D. 254,944 5/1980 Lee et al. D6/467

[57] **CLAIM**
 The ornamental design for a tabletop stand for a pH meter, as shown.

DESCRIPTION
 FIG. 1 is a top, front, and right side perspective view of a tabletop stand for a pH meter showing my new design; and
 FIG. 2 is a bottom, rear, and left side elevational view thereof.



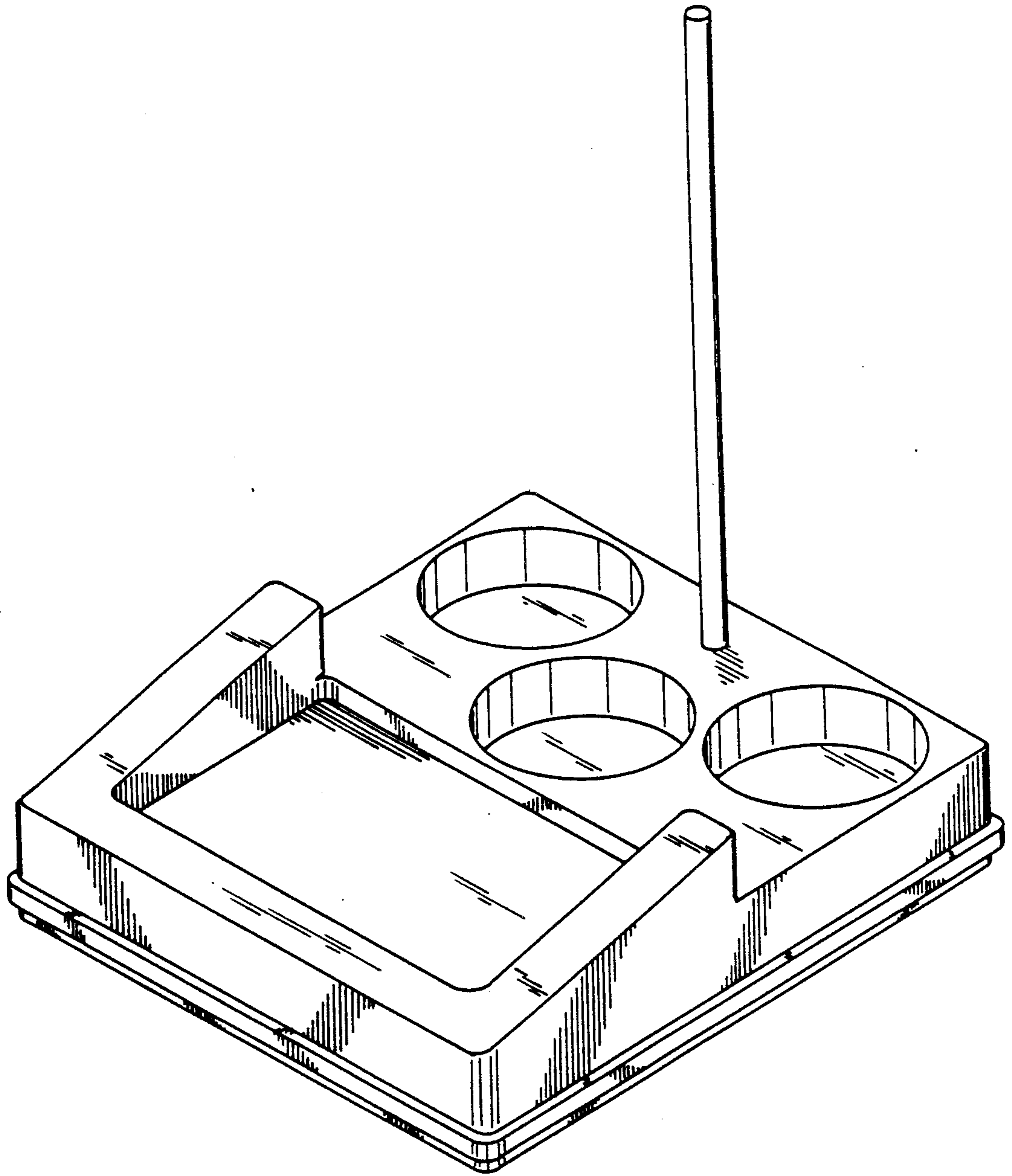


FIG. 1

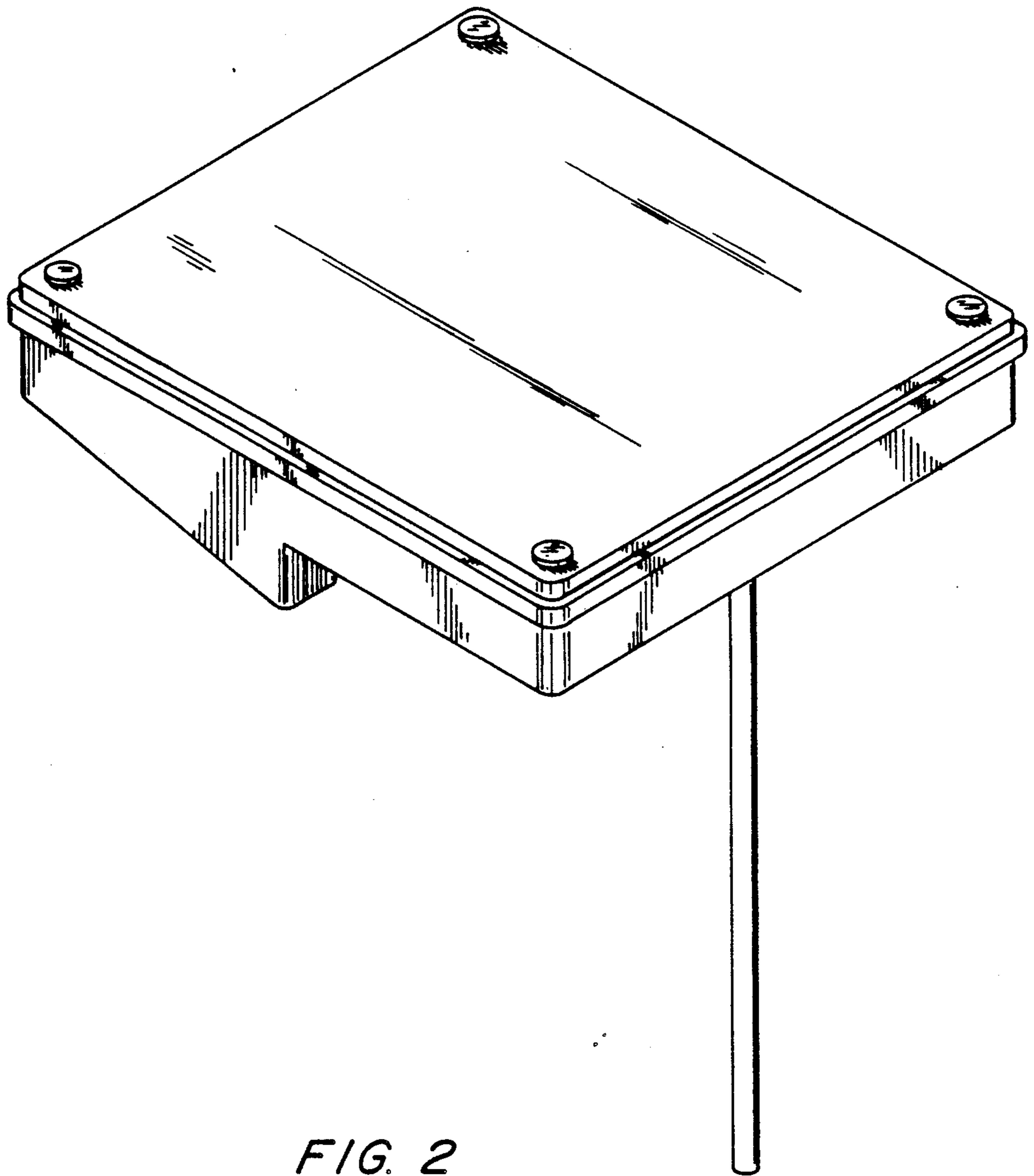


FIG. 2