

[54] **COLLAPSIBLE DISPLAY AND DISPENSER STAND**

[75] Inventor: David March, New York, N.Y.

[73] Assignee: Thomson-Leeds Company, Ltd., New York, N.Y.

[**] Term: 14 Years

[21] Appl. No.: 88,210

[22] Filed: Aug. 24, 1987

[52] U.S. Cl. D6/408

[58] Field of Search D6/408, 512, 515, 517, D6/518, 519, 520, 474, 473, 475, 476; 211/13, 49.1, 51, 52, 55, 59.2; 221/45, 155, 191, 194, 282; 312/35, 42, 45, 72, 73

D. 58,545	8/1921	Creelius	D6/408
D. 93,083	8/1934	Wright	D6/473
D. 284,049	6/1984	Nathan et al.	D6/408
D. 287,912	1/1987	Ferrero	D6/408
380,877	4/1888	Fellows	211/55
1,276,630	8/1918	Earl	312/42

Primary Examiner—Carmen H. Vales-Lado
 Attorney, Agent, or Firm—Howard C. Miskin

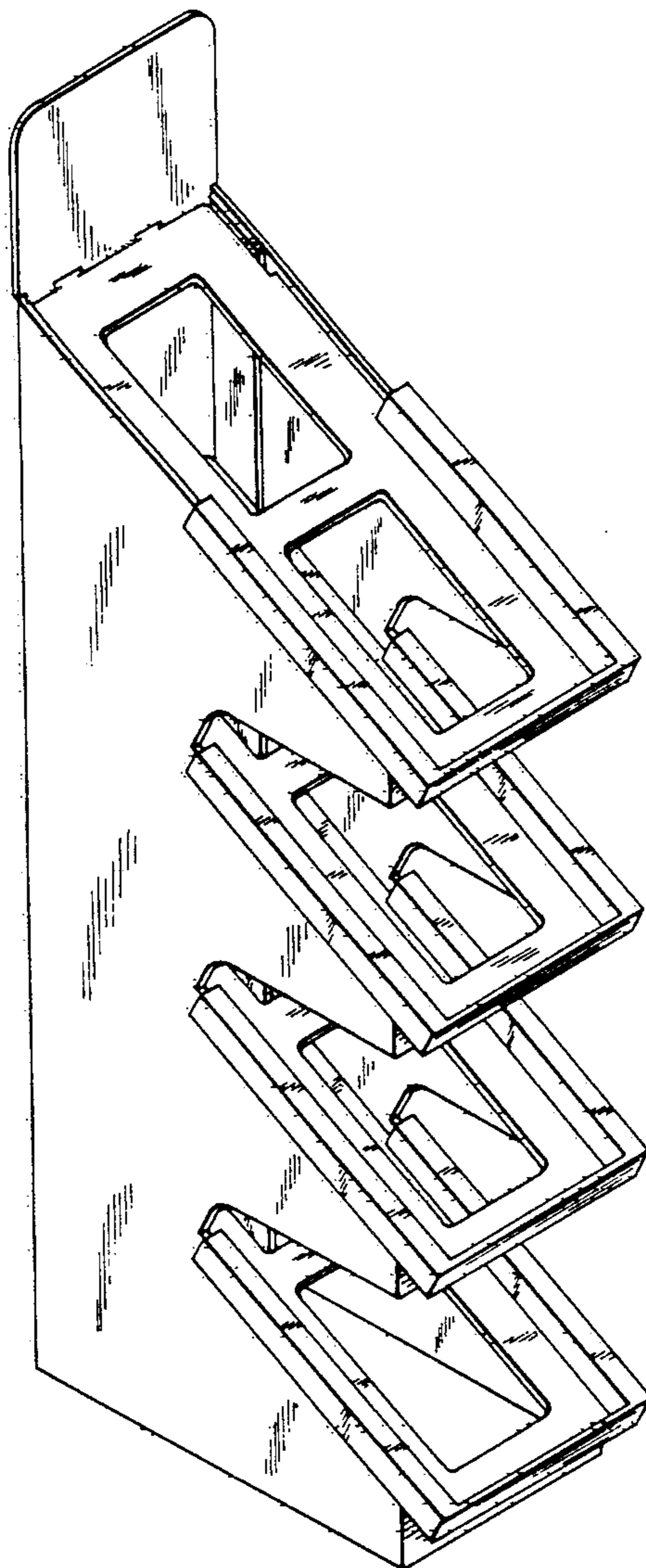
[57] CLAIM

The ornamental design for a collapsible display and dispenser stand, as shown and described.

DESCRIPTION

FIG. 1 is a top perspective view of a collapsible display and dispenser stand showing my new design; FIG. 2 is a right side elevational view thereof; FIG. 3 is a front elevational view thereof; FIG. 4 is a rear elevational view thereof; FIG. 5 is a top plan view thereof; FIG. 6 is a bottom plan view thereof.

[56] **References Cited**
 U.S. PATENT DOCUMENTS
 D. 51,723 2/1918 Earl D6/408



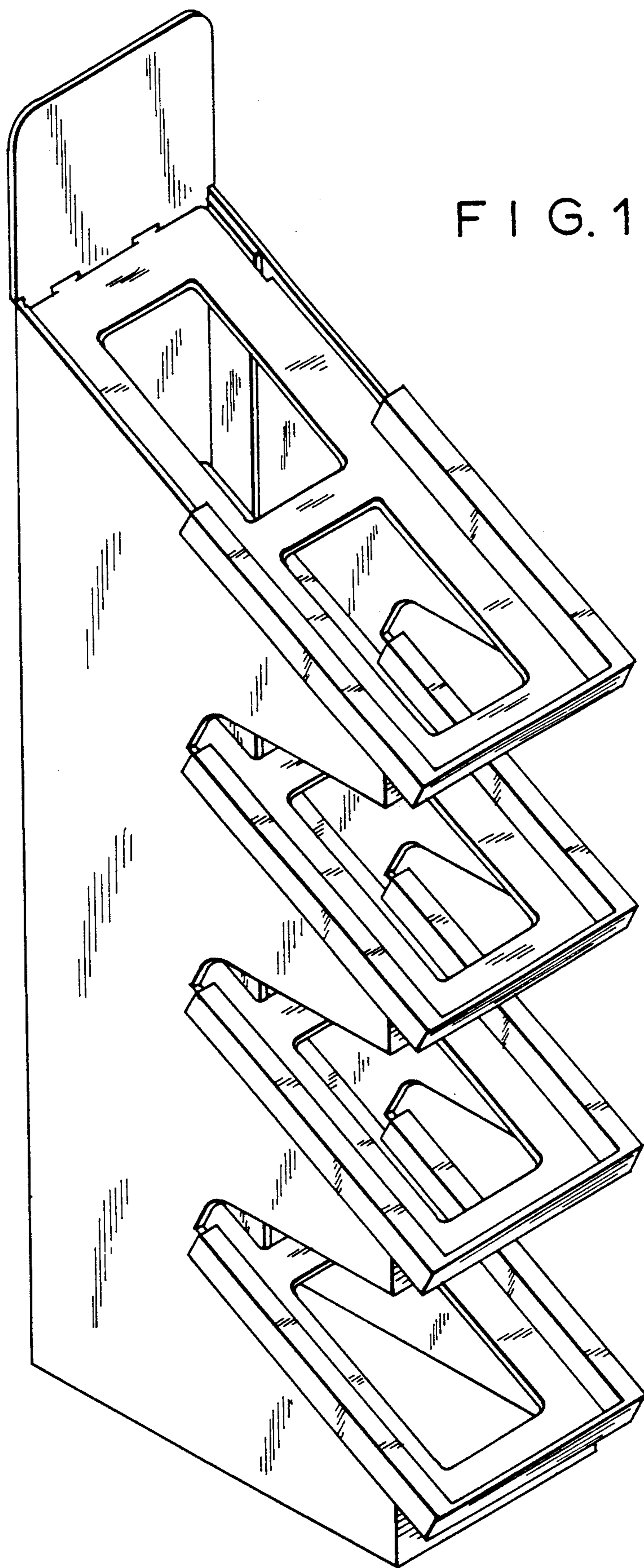
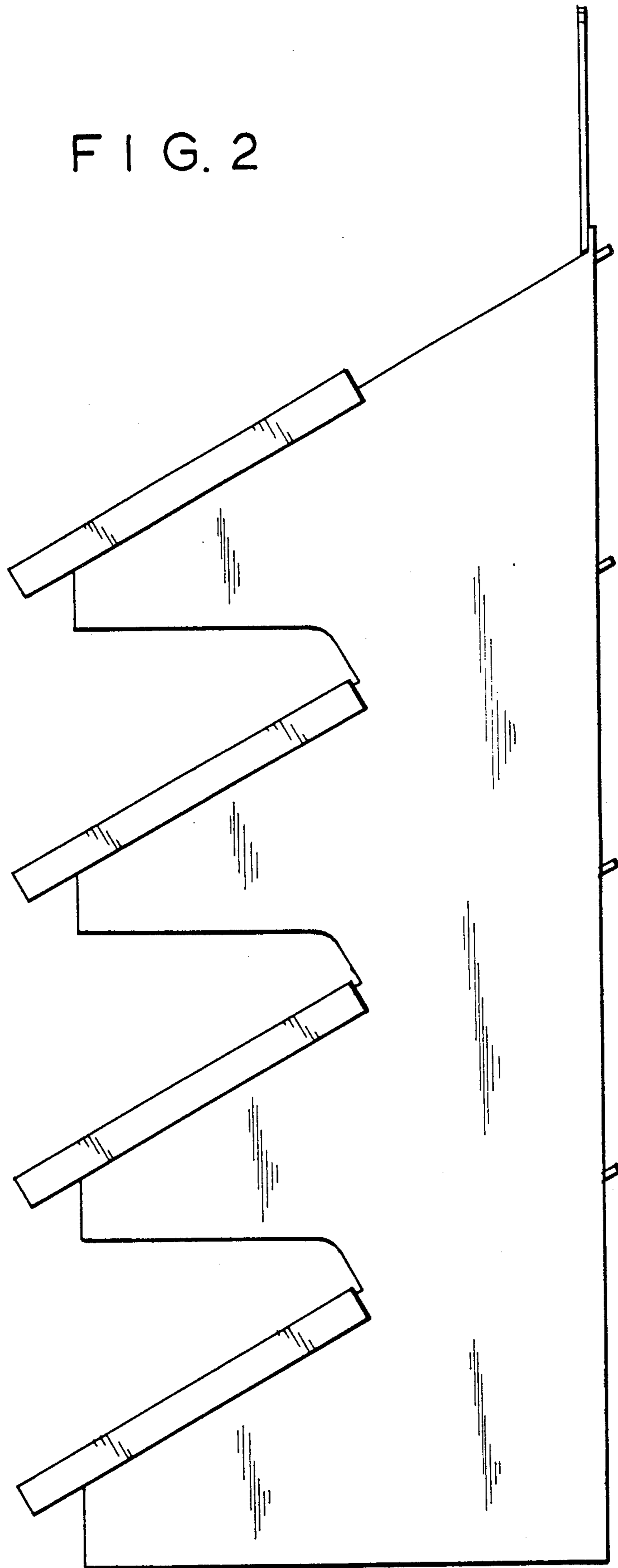


FIG. 1

FIG. 2



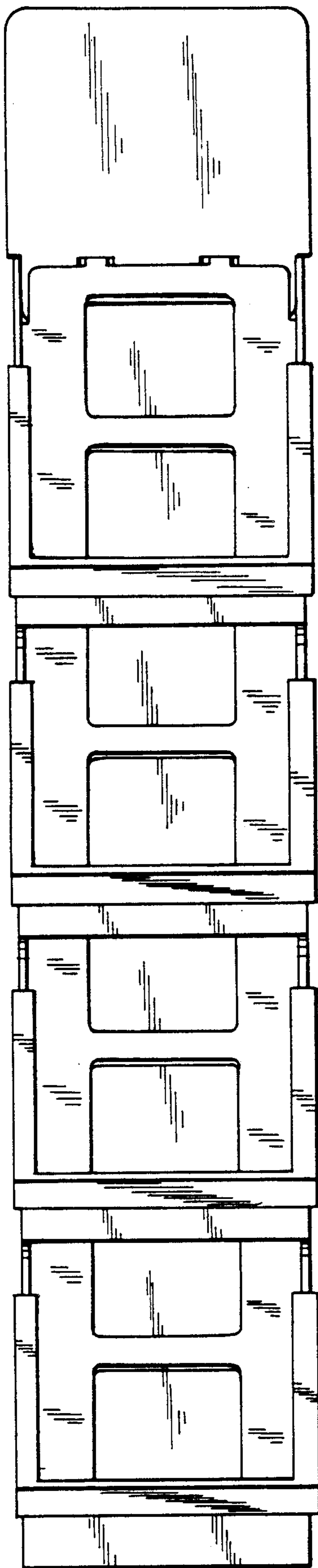


FIG. 3

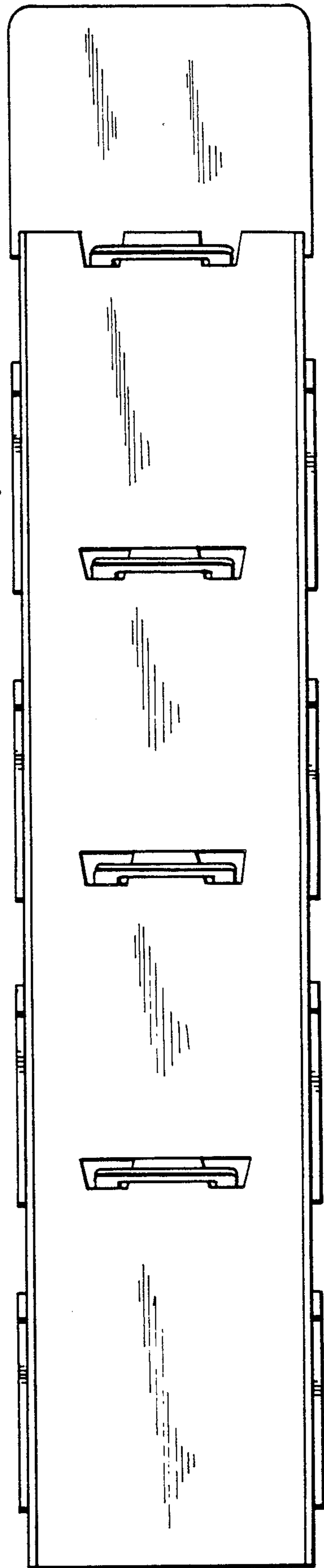


FIG. 4

FIG. 5

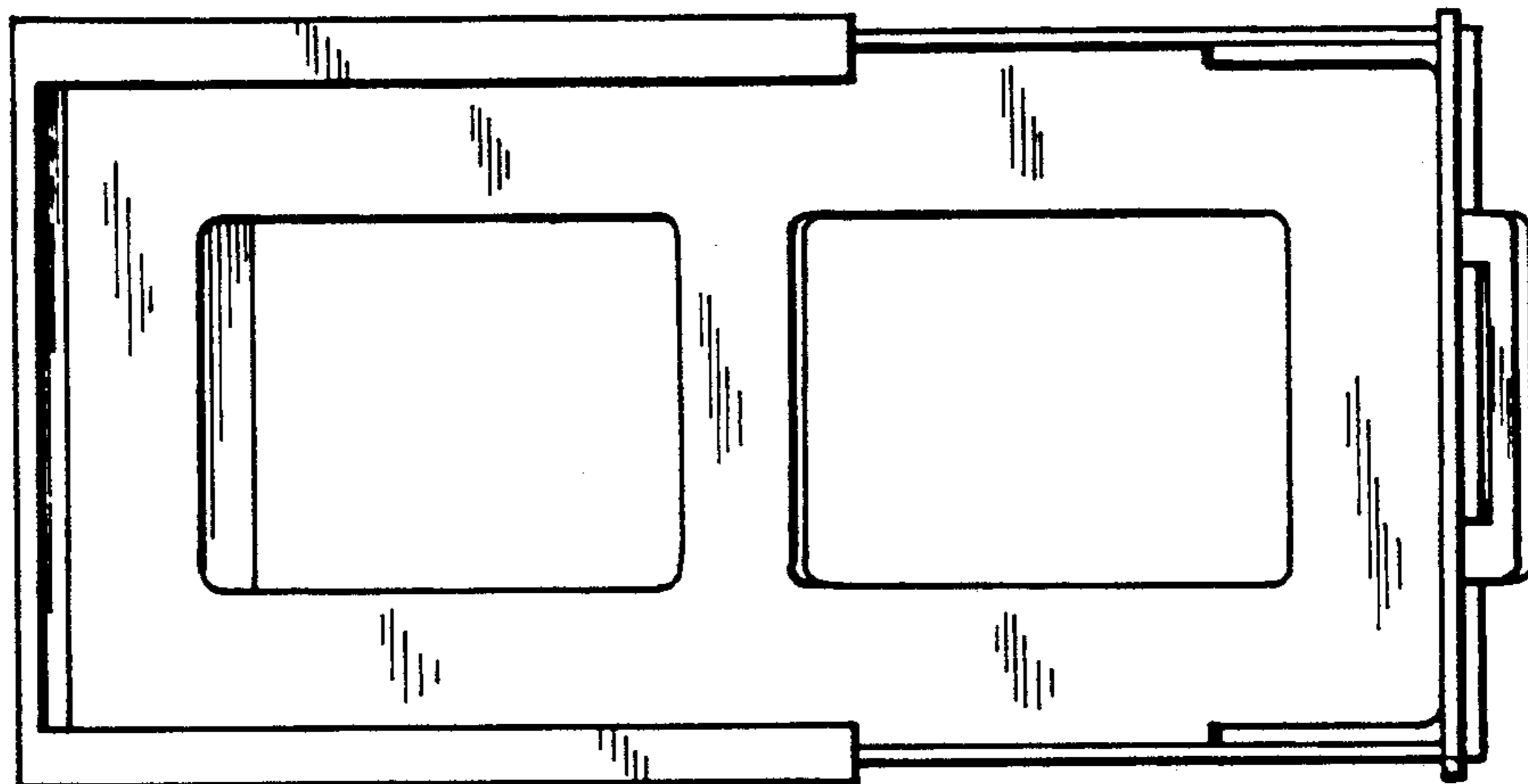


FIG. 6

