

[54] SEAT

[75] Inventor: Burkhard Vogtherr,
Holzen-Kandern, Fed. Rep. of
Germany

[73] Assignee: Klöber GmbH & Co., Fed. Rep. of
Germany

[**] Term: 14 Years

[21] Appl. No.: 95,545

[22] Filed: Sep. 11, 1987

[52] U.S. Cl. D6/381

[58] Field of Search D6/334, 379, 380, 381,
D6/373

[56] References Cited

U.S. PATENT DOCUMENTS

D. 201,130	5/1965	Pearsall	D6/381
D. 235,947	7/1975	Uyeda	D6/373
D. 238,836	2/1976	Costabile	D6/381
D. 248,602	7/1978	Long	D6/381

D. 290,912 7/1987 Rodriquez D6/336

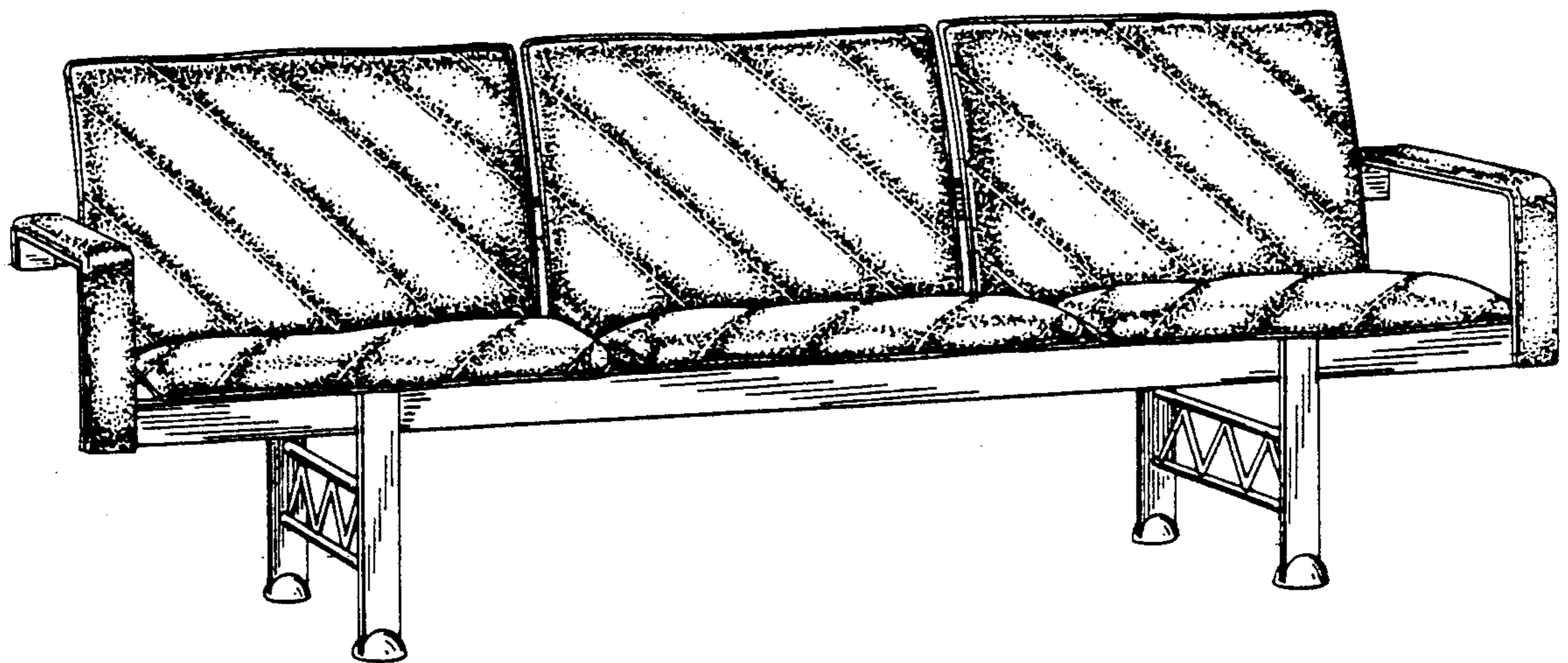
Primary Examiner—Bruce W. Dunkins
Assistant Examiner—Jeff H. Musgrove
Attorney, Agent, or Firm—Hill, Van Santen, Steadman &
Simpson

[57] CLAIM

The ornamental design for a seat, as shown and de-
scribed.

DESCRIPTION

FIG. 1 is a front perspective view of a seat showing my
new design in the form of a sofa;
FIG. 2 is a side elevational view;
FIG. 3 is a top plan view;
FIG. 4 is a perspective view of the seat as seen from the
right and rear of FIG. 1;
FIG. 5 is a front perspective view of a seat showing a
second embodiment of my design in the form of a settee;
FIG. 6 is a side elevational view;
FIG. 7 is a top plan view; and
FIG. 8 is a perspective view of the seat as seen from the
right and rear of FIG. 5.



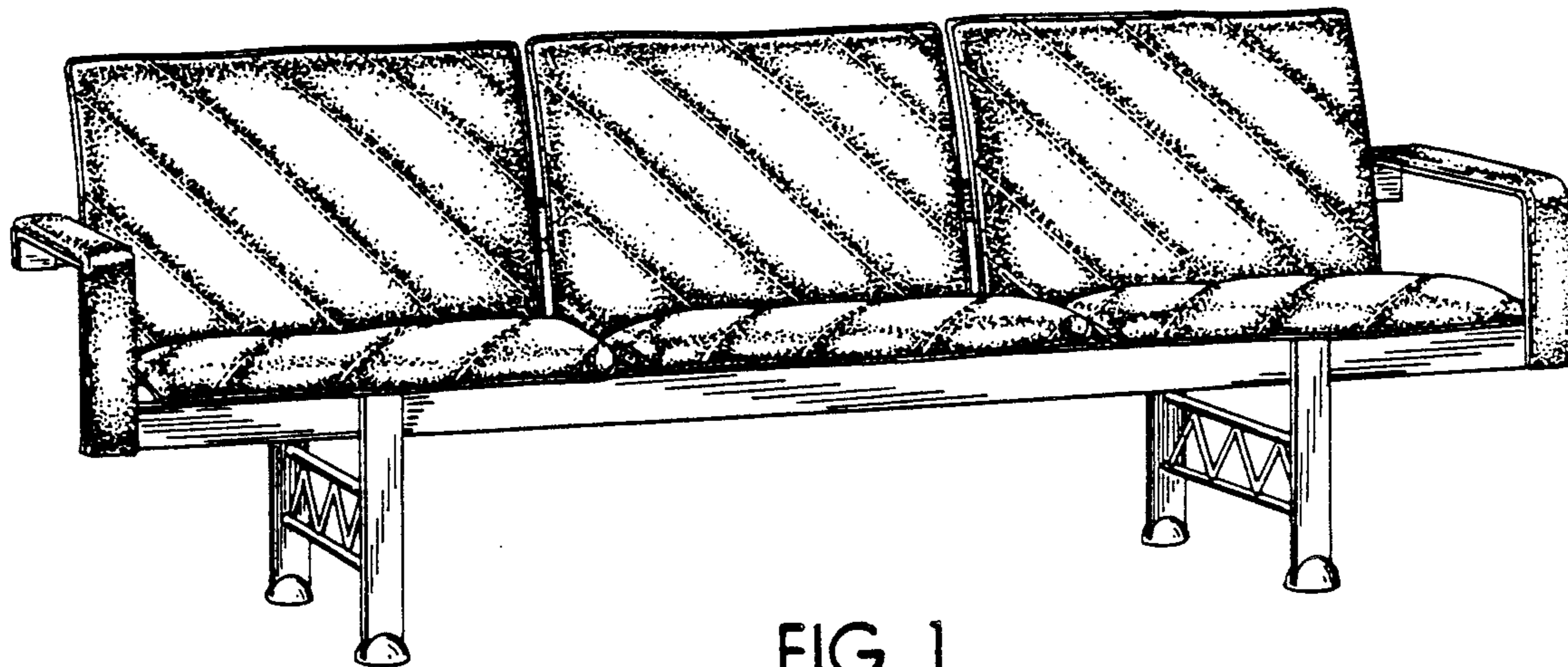


FIG. 1

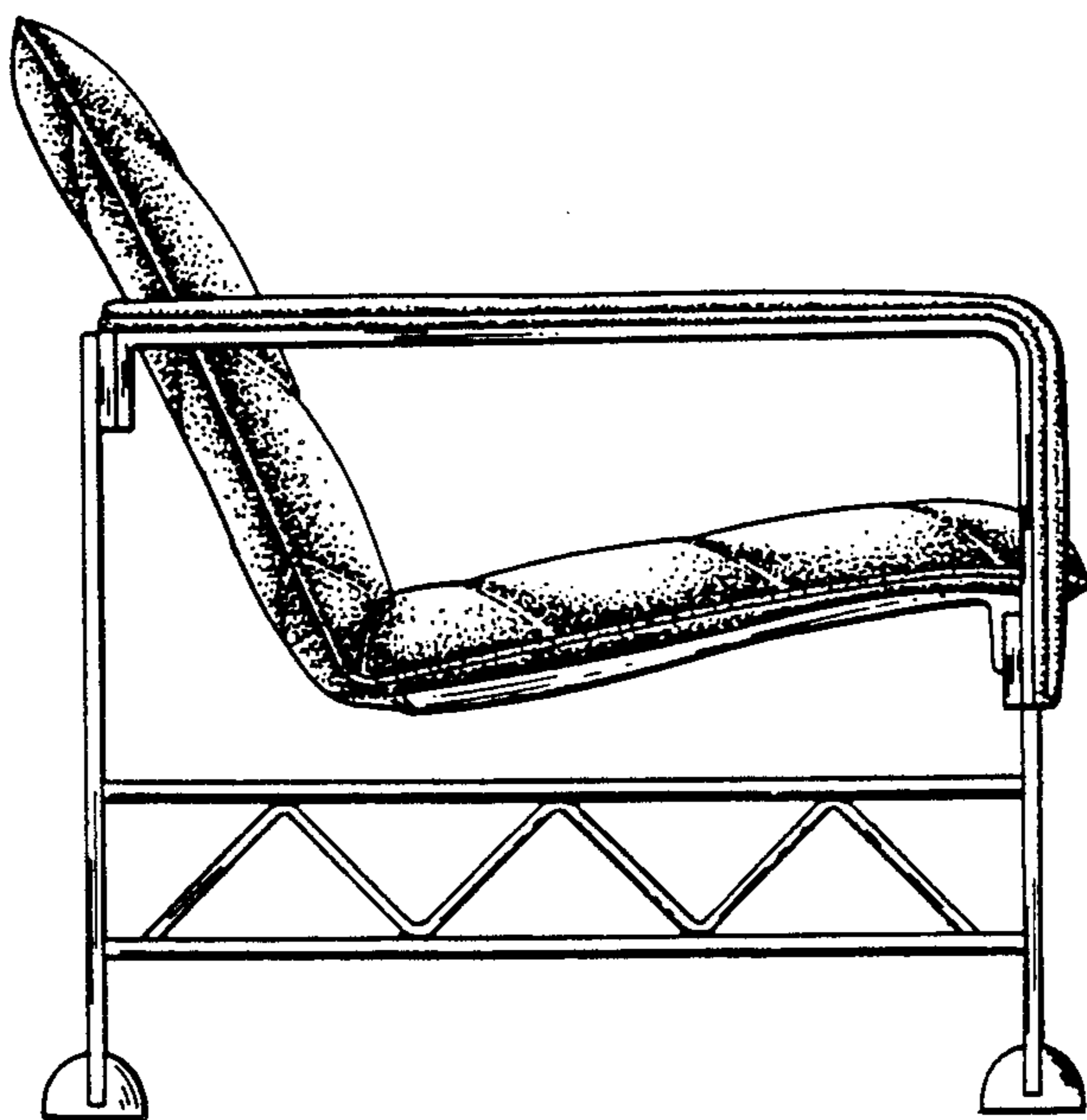


FIG. 2

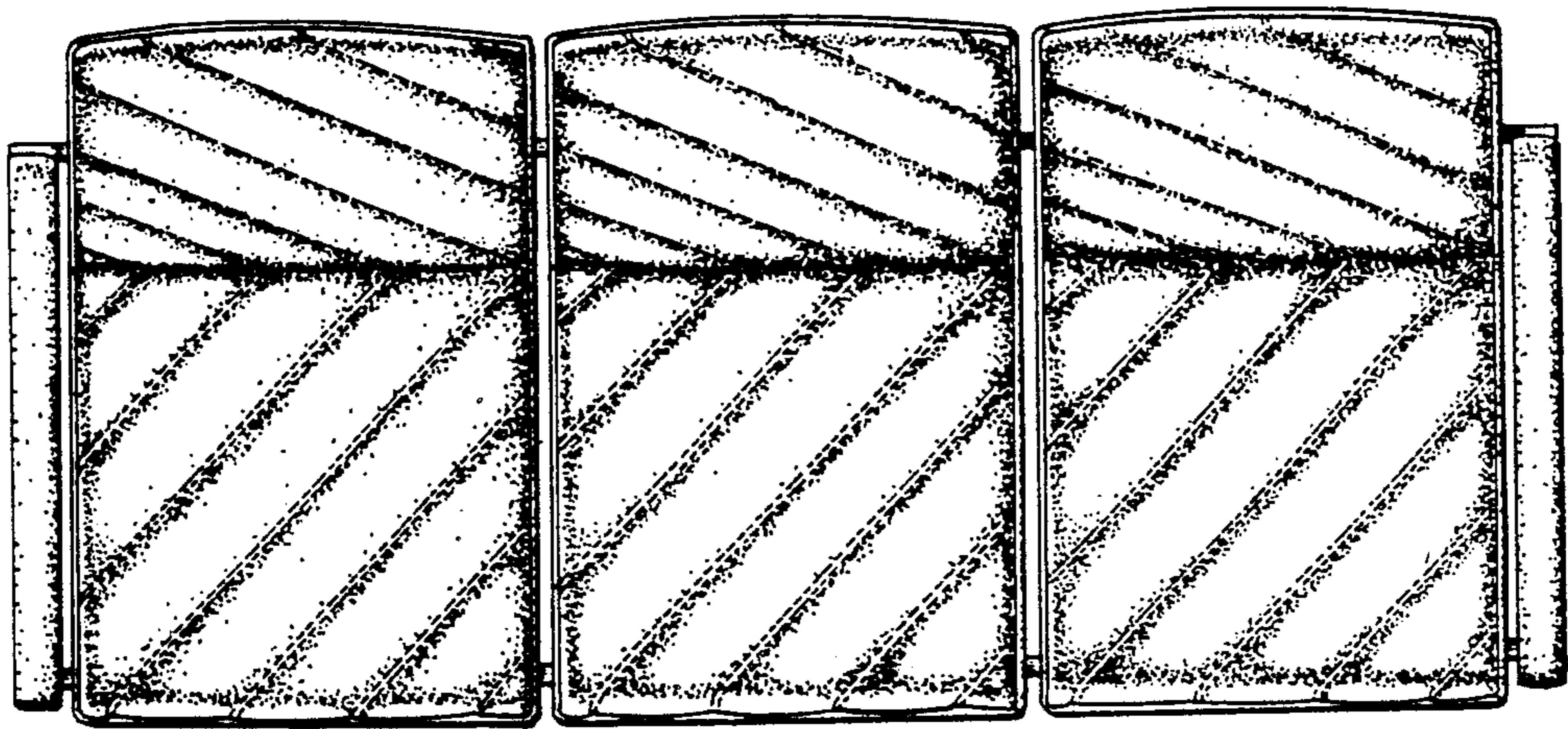


FIG. 3

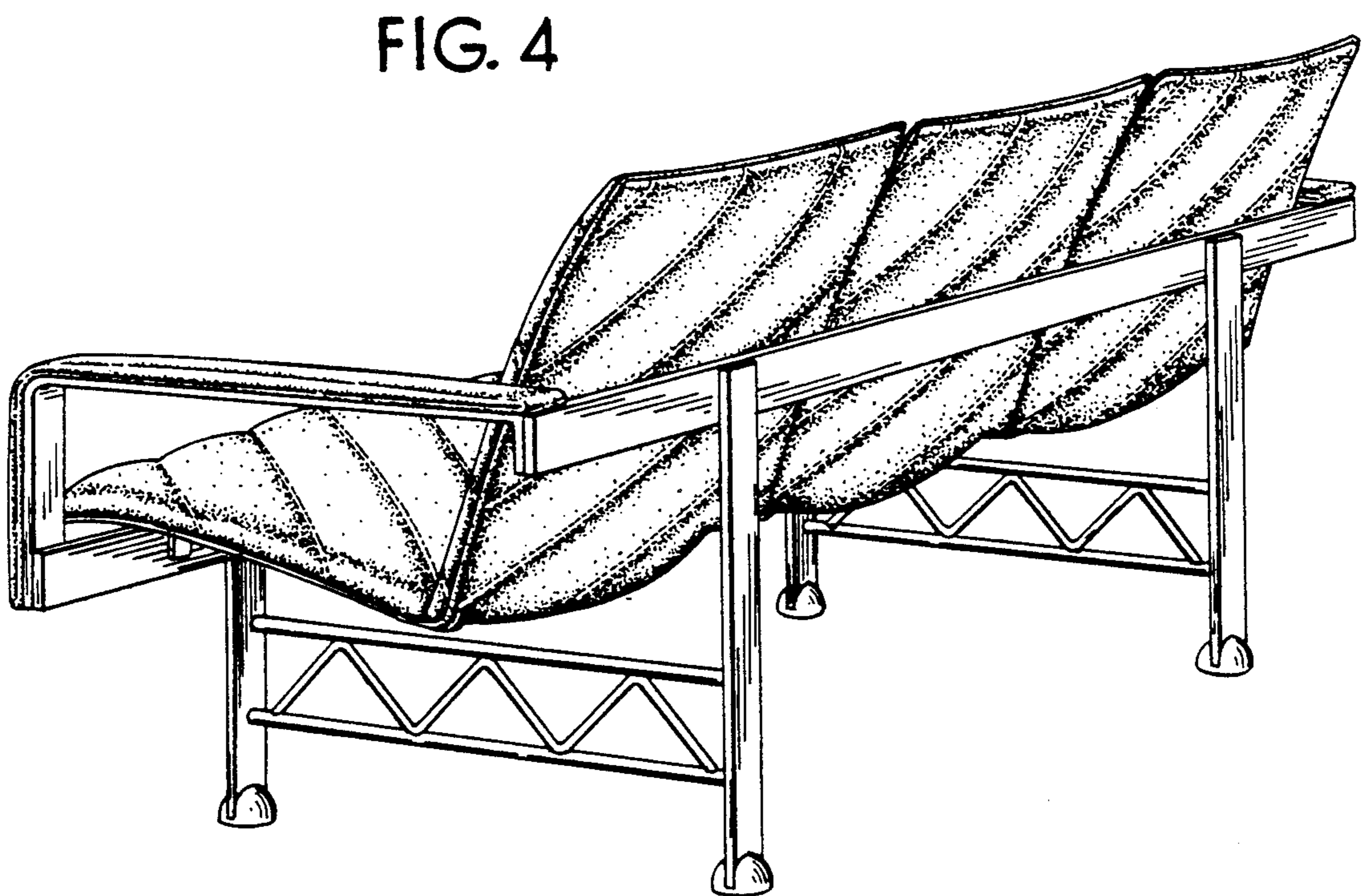


FIG. 4

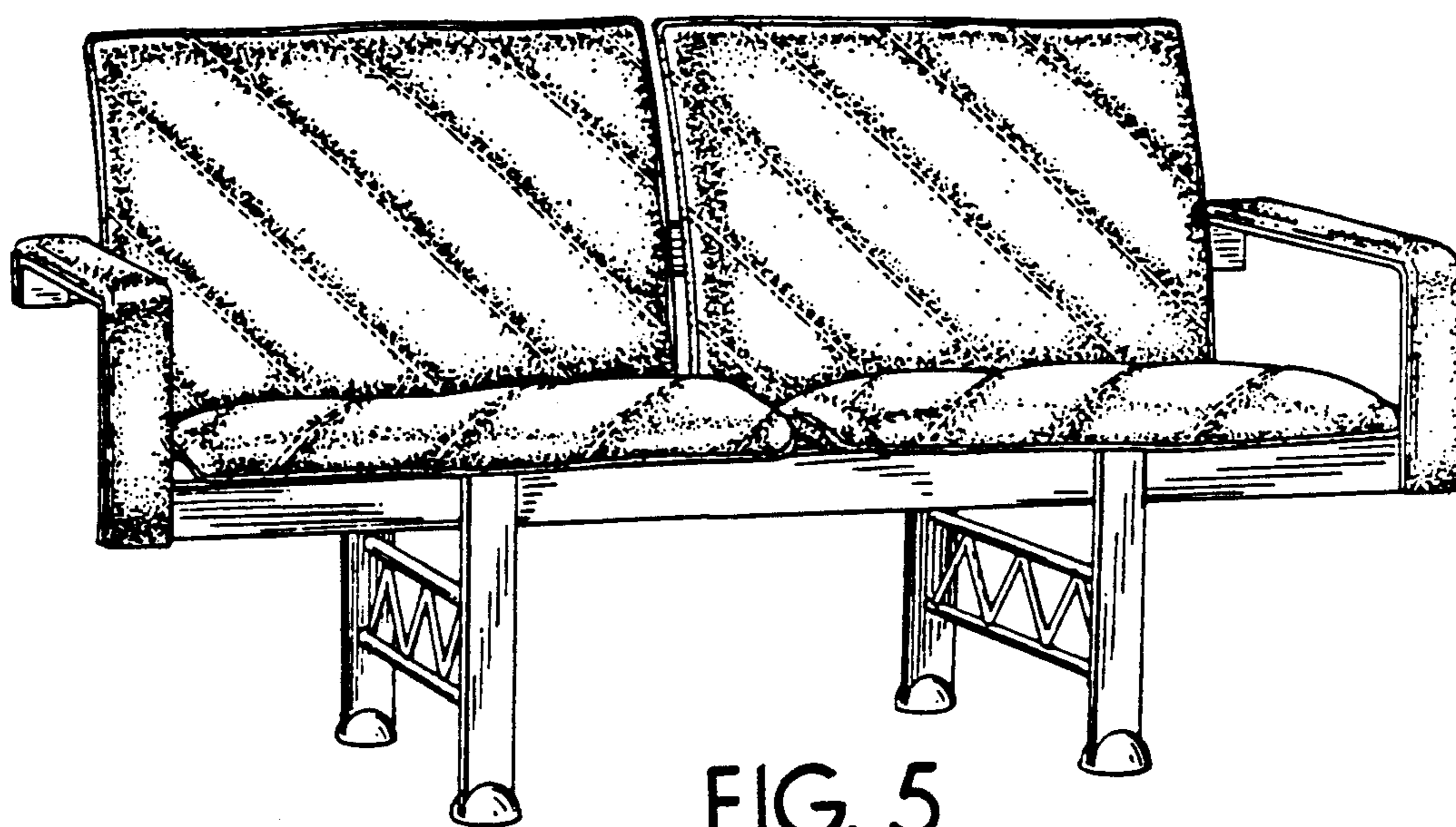


FIG. 5

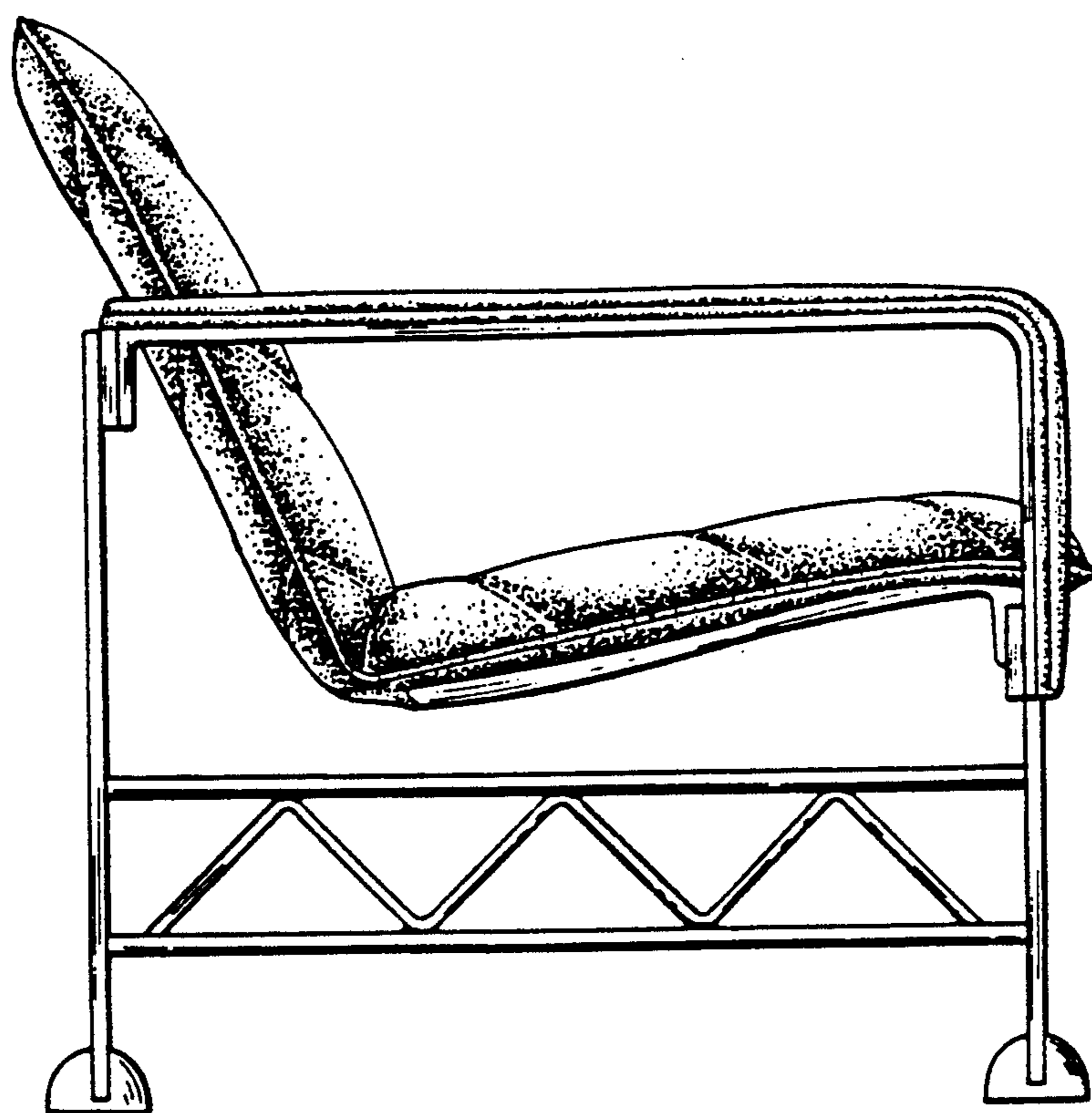


FIG. 6

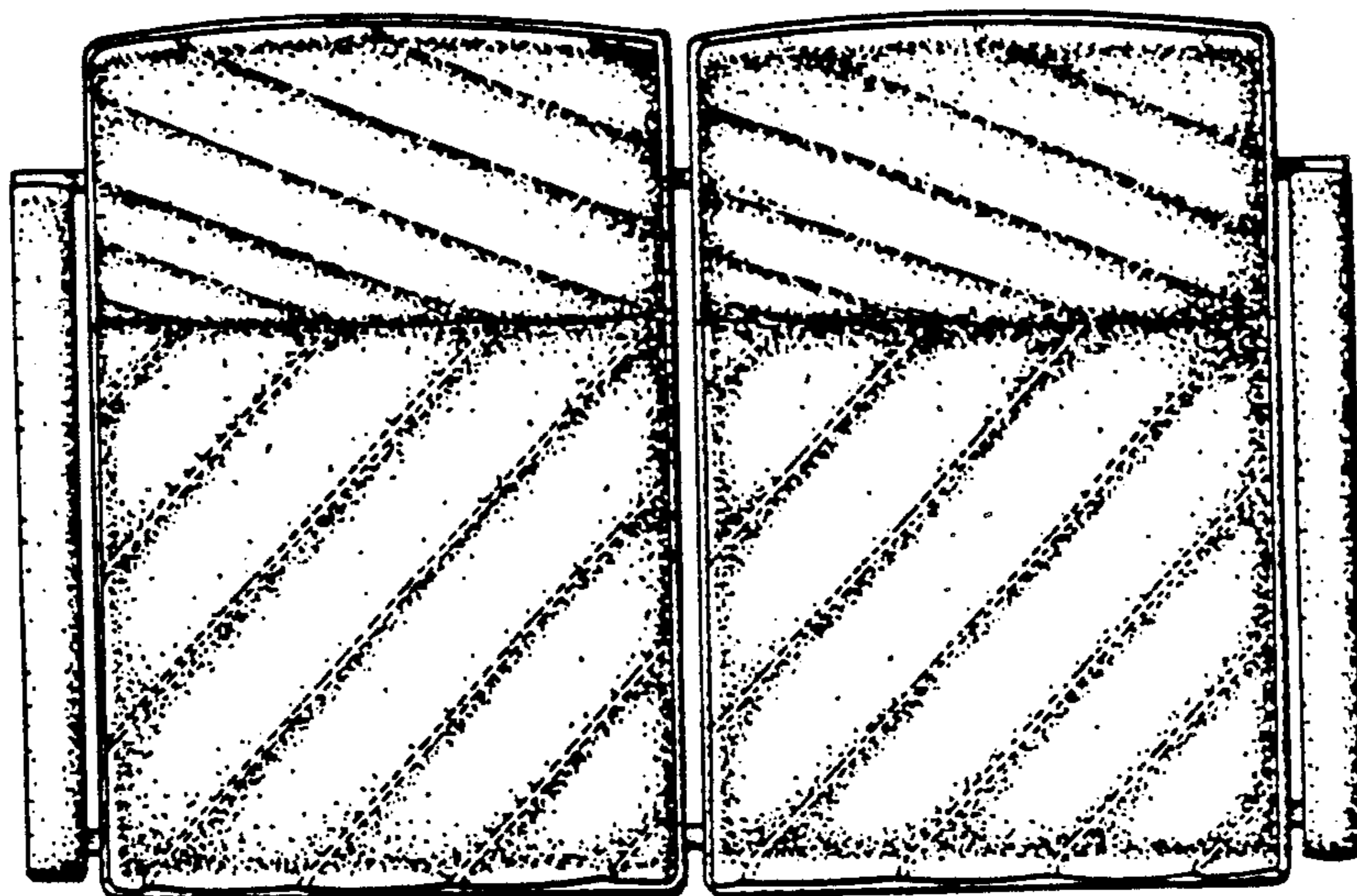


FIG. 7

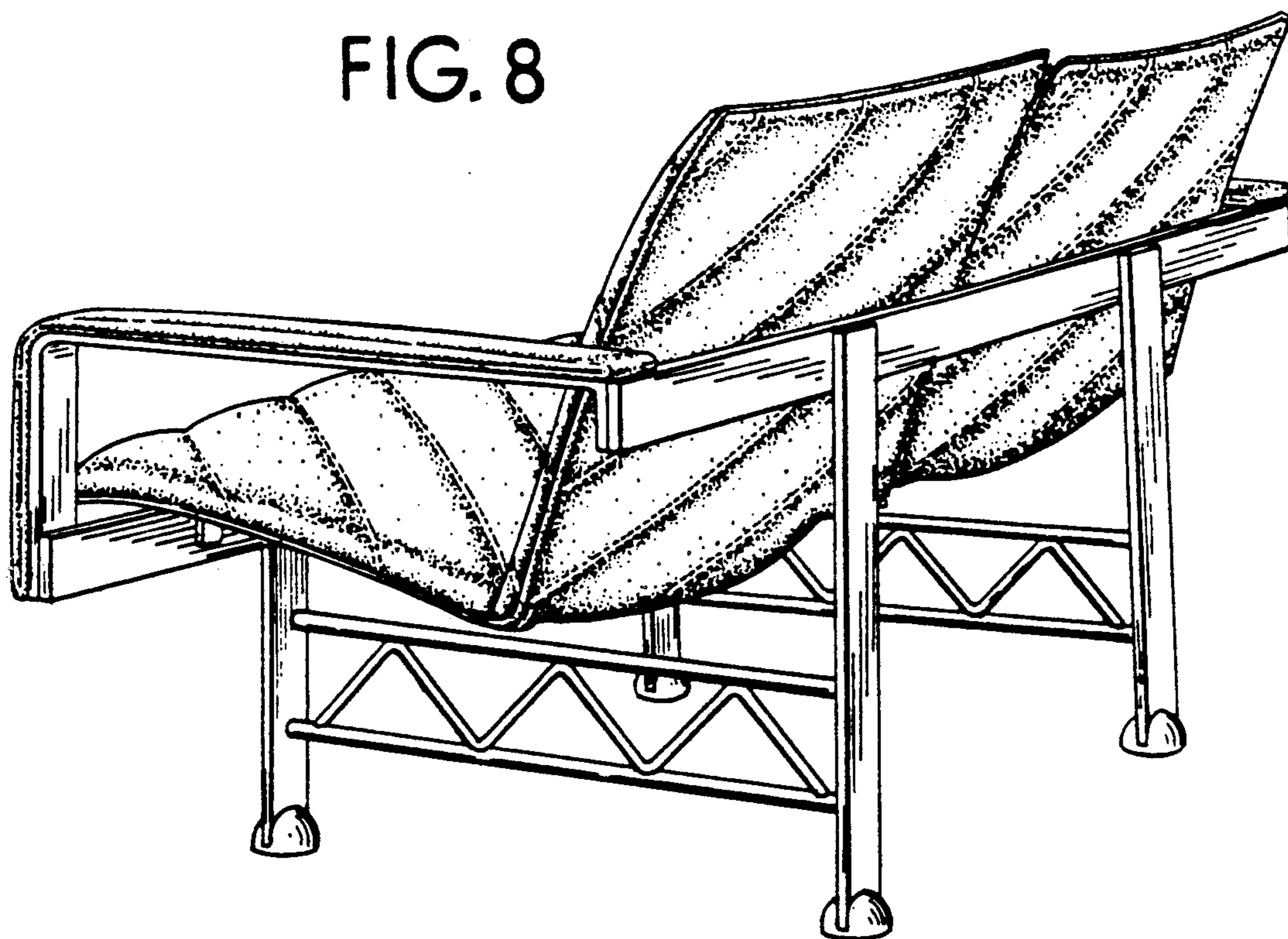


FIG. 8