

[54] SEAT

[75] Inventor: Peter M. Yau Kee, Happy Valley, Hong Kong

[73] Assignee: Rosalco, Inc., Louisville, Ky.

[*] Notice: The portion of the term of this patent subsequent to Nov. 6, 2004 has been disclaimed.

[**] Term: 14 Years

[21] Appl. No.: 471,279

[22] Filed: Jan. 26, 1990

Related U.S. Application Data

- [62] Division of Ser. No. 295,474, Jan. 10, 1989.
- [52] U.S. Cl. D6/379; D6/349; D6/370; D6/380
- [58] Field of Search D6/503, 507, 505, 508, D6/499, 393, 394, 395, 382, 380, 334, 374, 370, 379, 349; 211/182

References Cited

U.S. PATENT DOCUMENTS

- D. 22,922 11/1893 Conser D6/379 X
- D. 284,815 7/1986 Shaw et al. D6/374 X
- D. 288,749 3/1987 Tonon D6/370 X

OTHER PUBLICATIONS

- Best catalog, 1986/87, #2 and #7, p. 216.
- Ficks Reed catalog, #5791, p. 40.
- Furniture/Today, Jul. 11, 1988, 2nd from right.

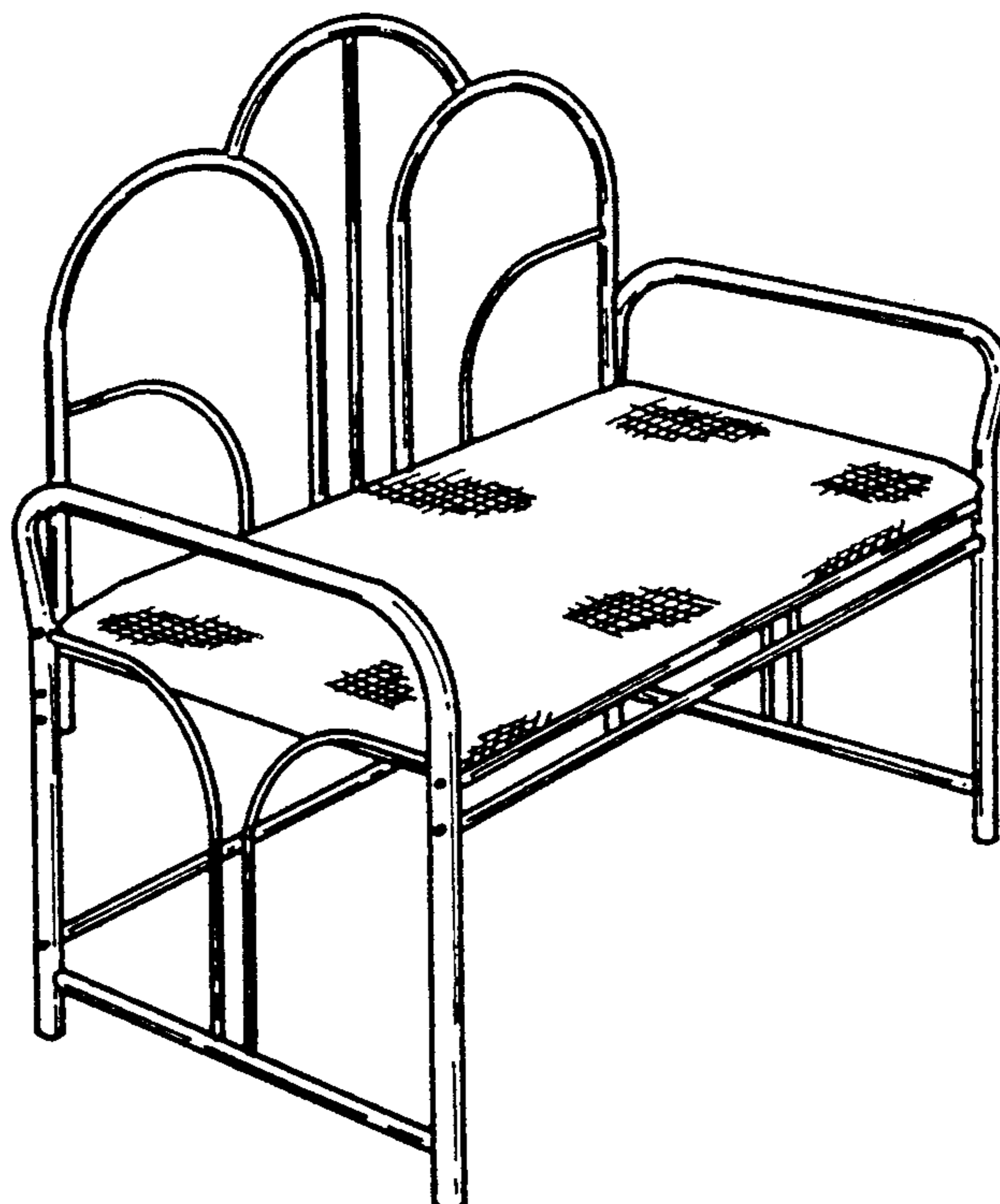
Primary Examiner—Bruce W. Dunkins
Assistant Examiner—Jeffrey Asch
Attorney, Agent, or Firm—Rhodes, Coats & Bennett

CLAIM

[57] The ornamental design for a seat, as shown and described.

DESCRIPTION

FIG. 1 is a front perspective view of a seat showing my design in the form of love seat;
 FIG. 2 is a rear perspective view of the FIG. 1 embodiment;
 FIG. 3 is a front elevational view of the FIG. 1 embodiment;
 FIG. 4 is a front perspective view of a seat showing my new design in the form of an alternate love seat;
 FIG. 5 is a rear perspective view of the FIG. 4 embodiment;
 FIG. 6 is a front elevational view of the FIG. 4 embodiment;
 FIG. 7 is a front perspective view of a seat showing my design in the form of an arm chair;
 FIG. 8 is a rear perspective view of the FIG. 7 embodiment; and
 FIG. 9 is a front elevational view of the FIG. 7 embodiment.



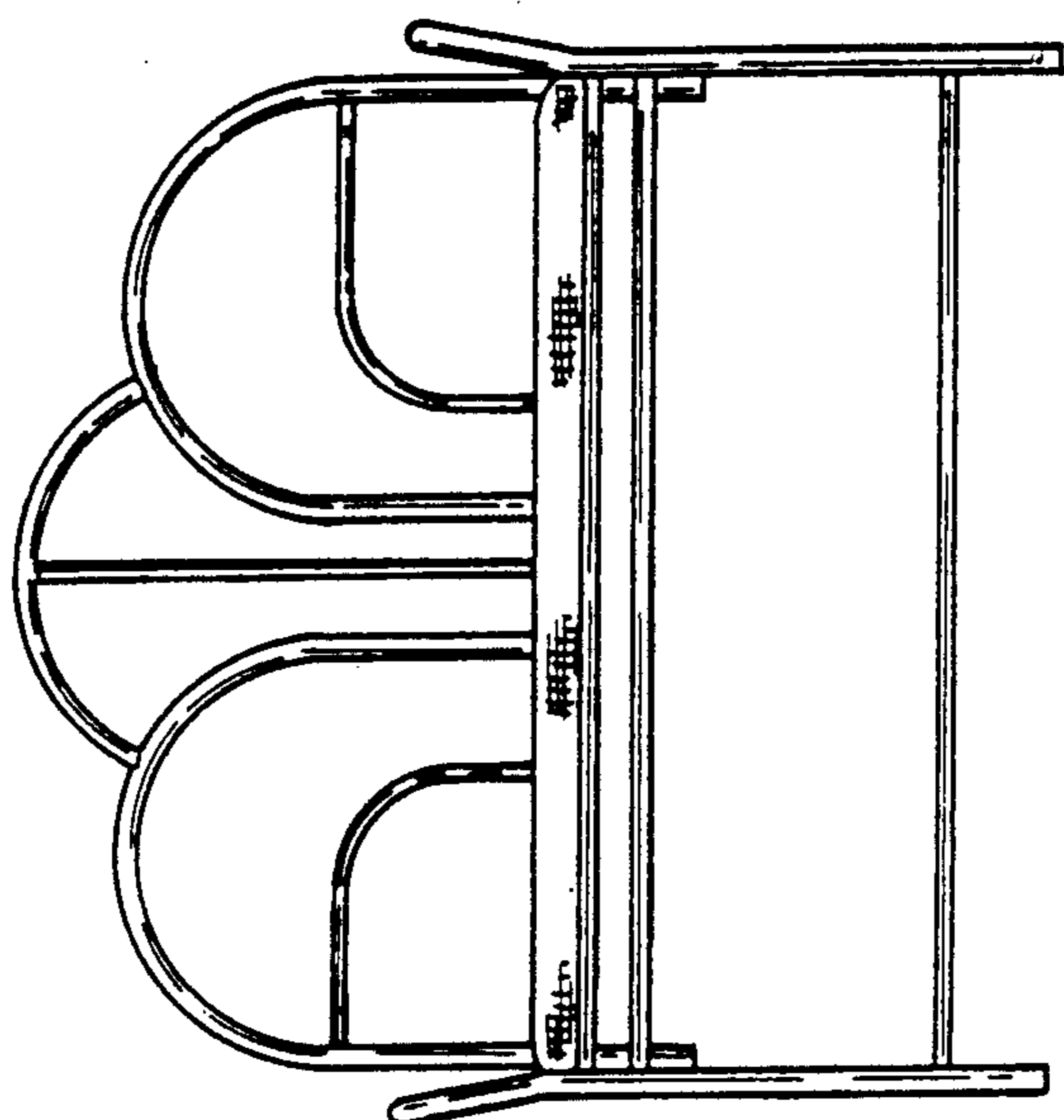


FIG. 1

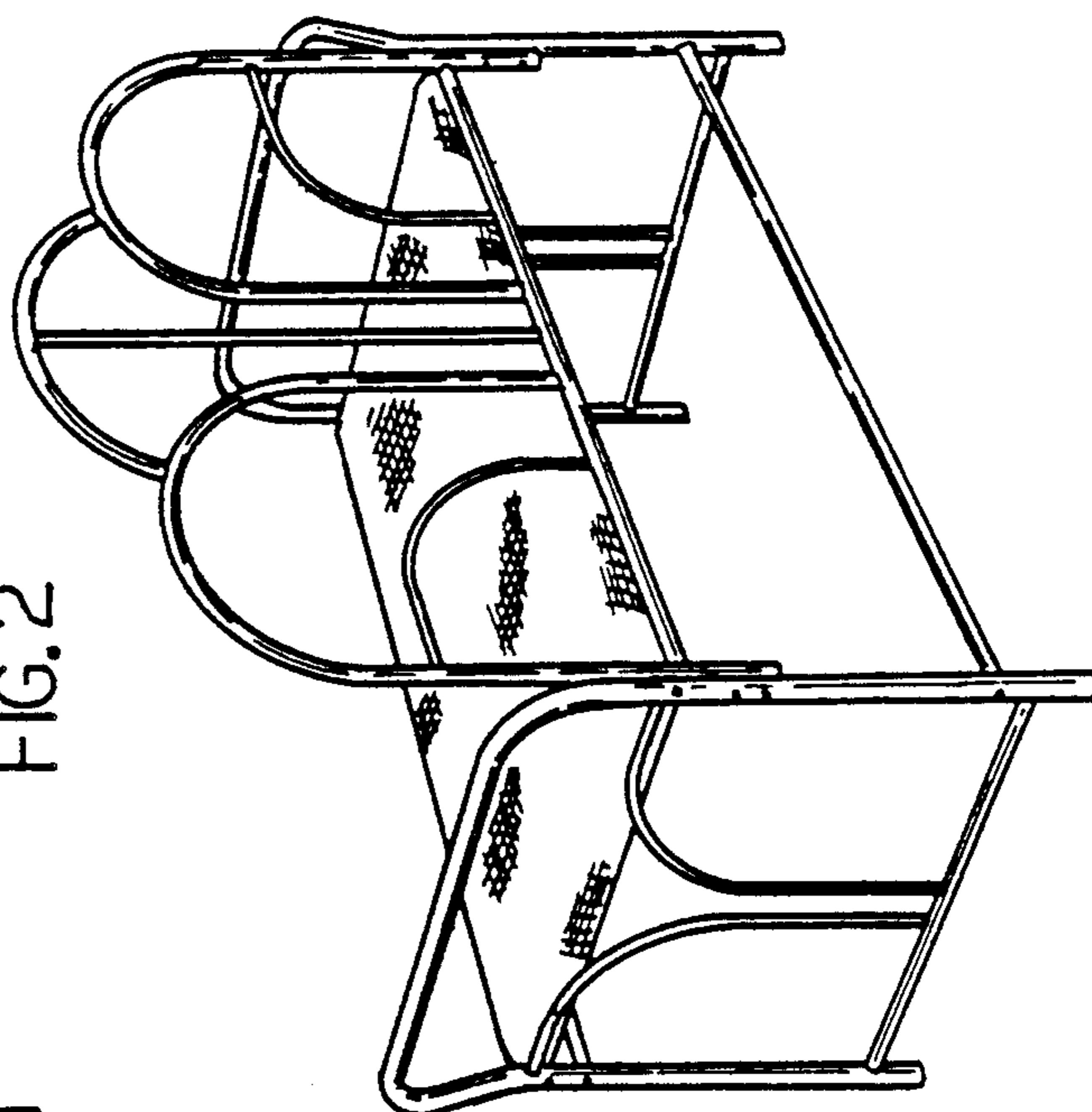


FIG. 2

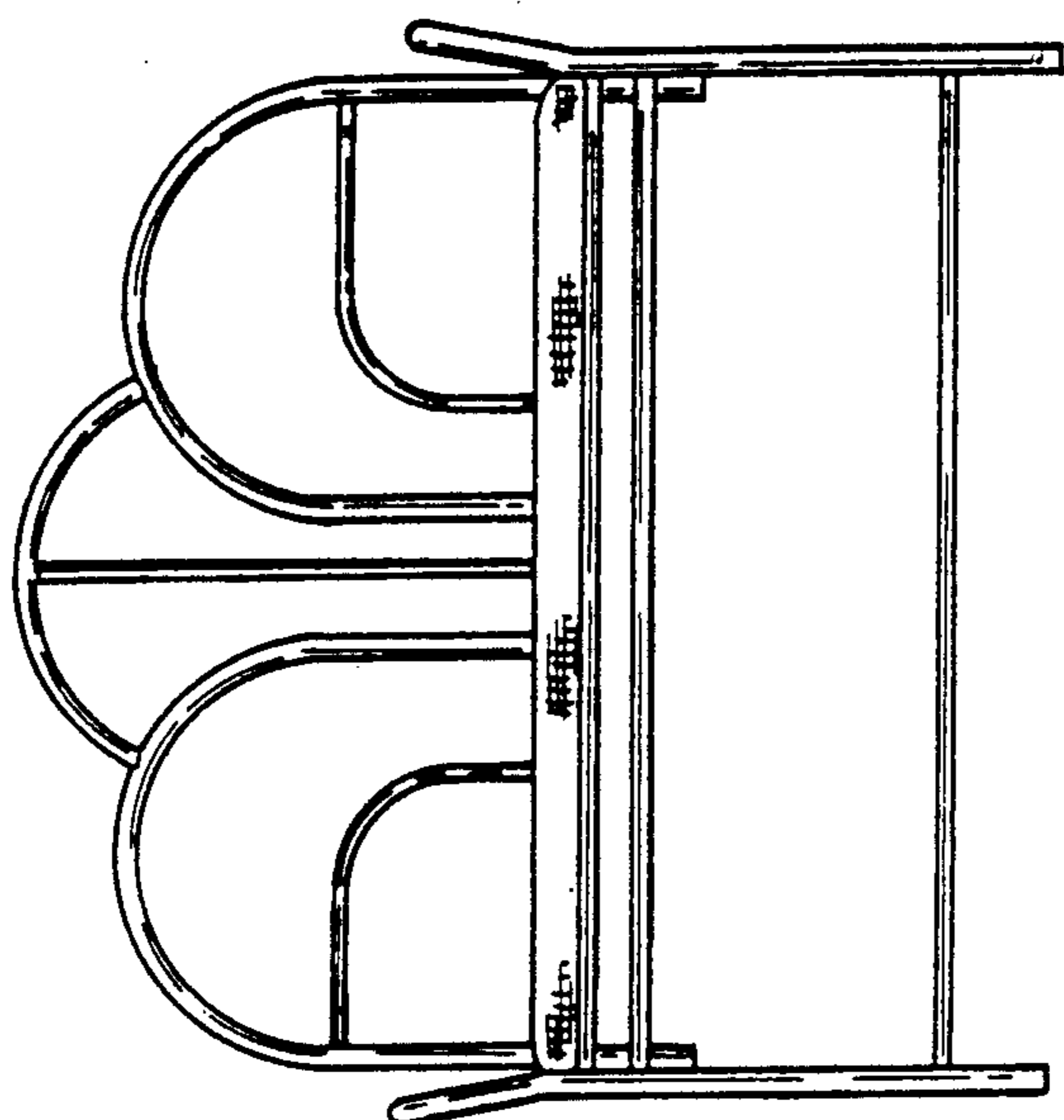


FIG. 3

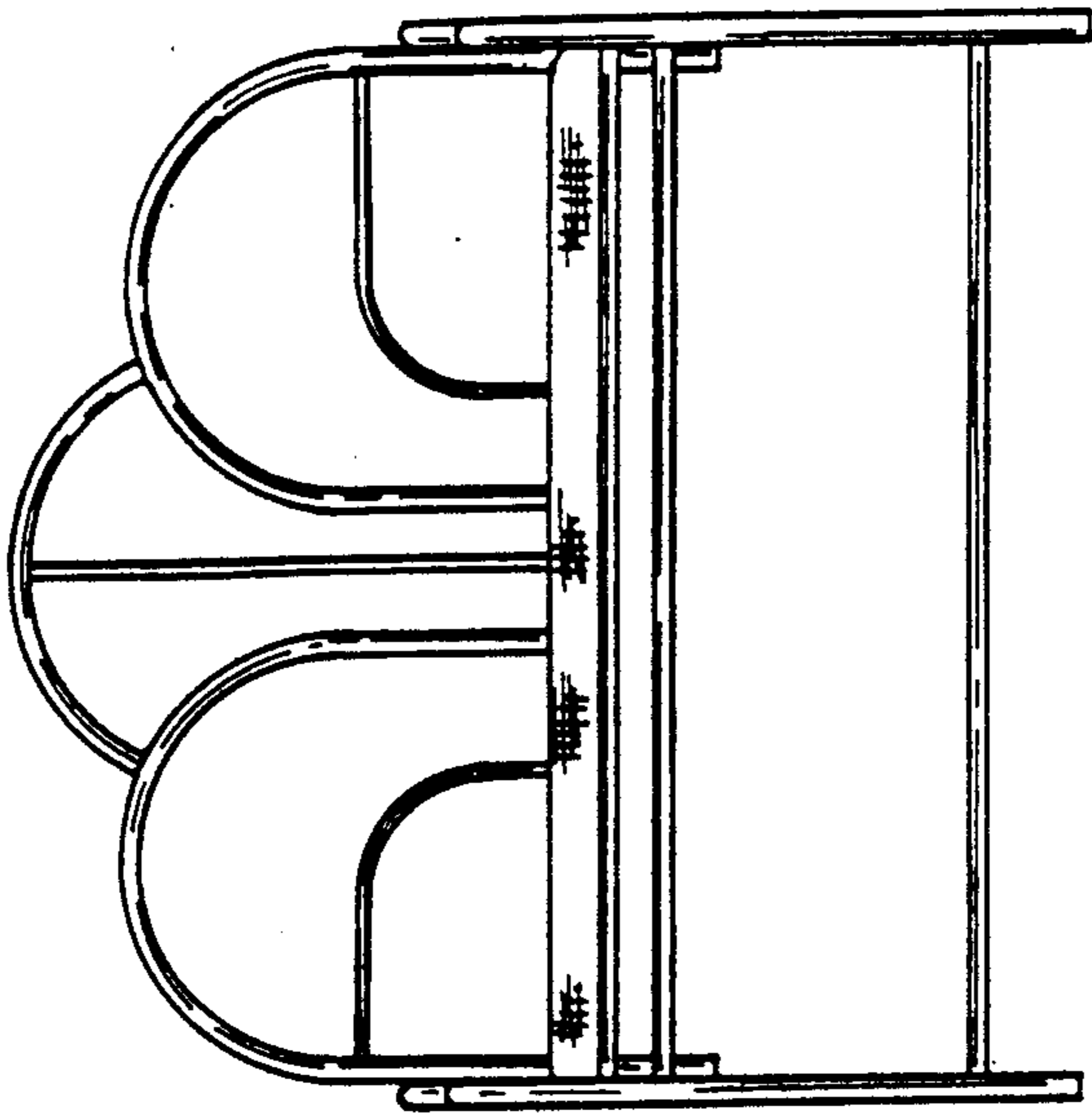


FIG. 6

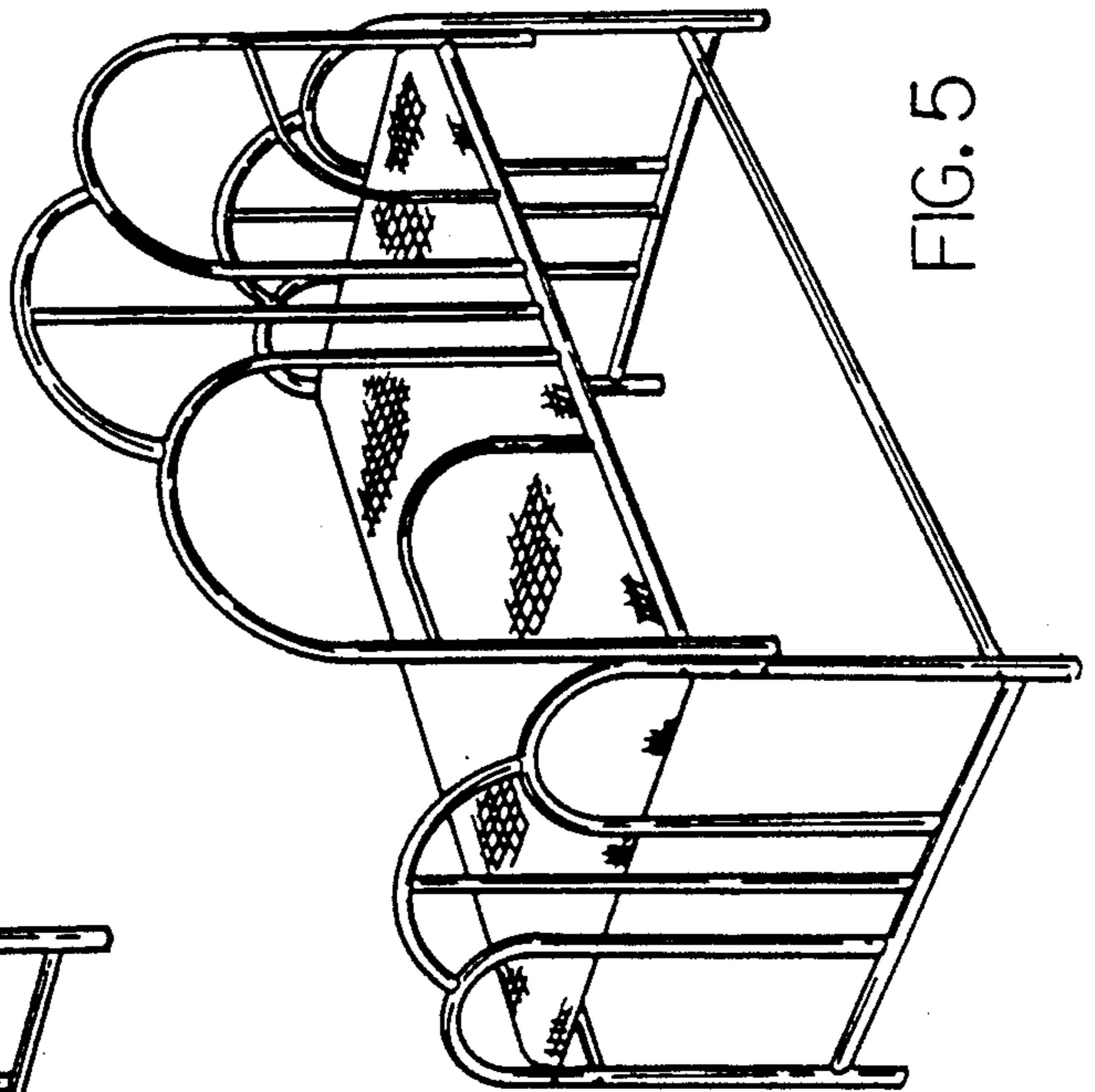


FIG. 5

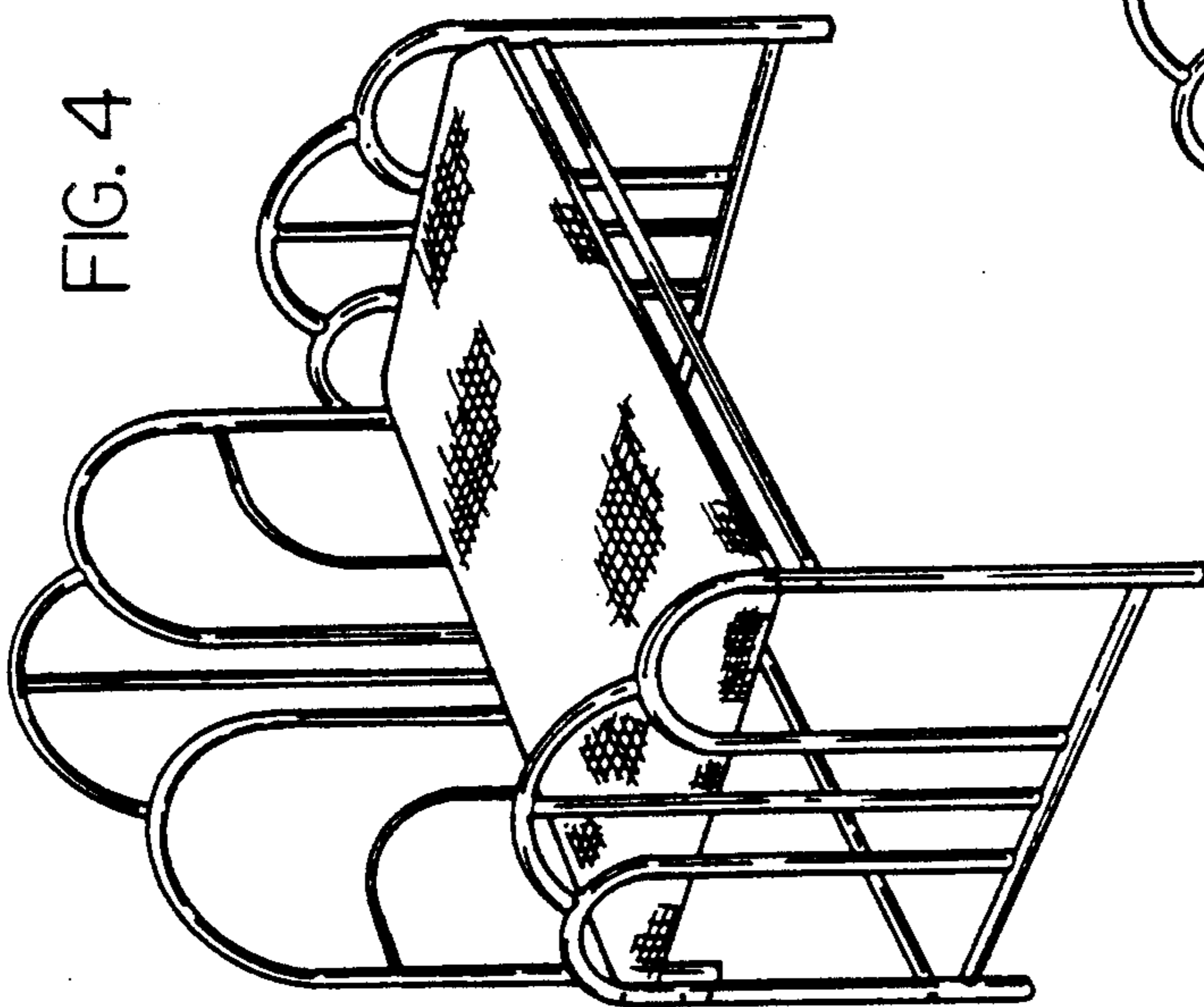


FIG. 4

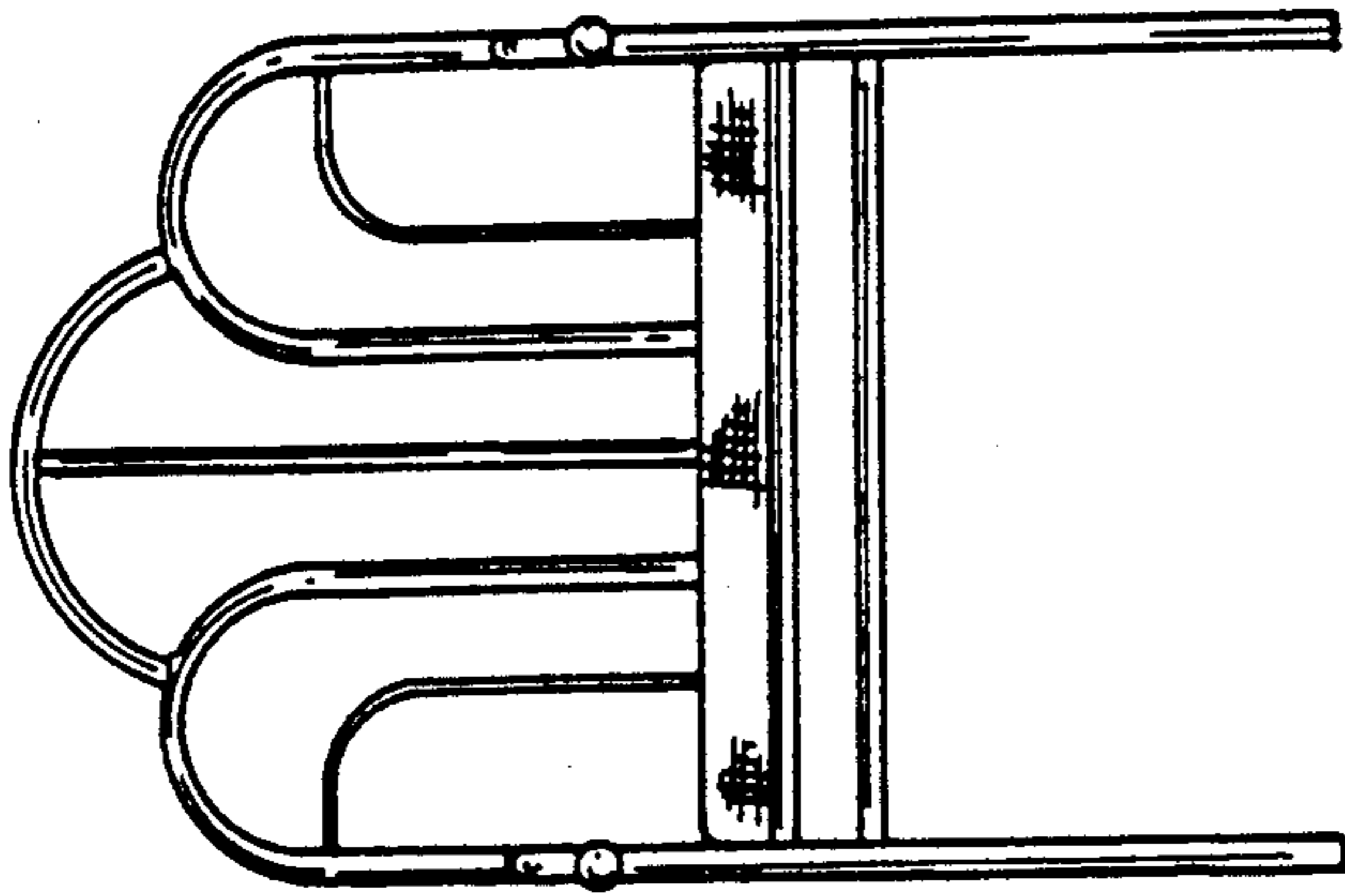


FIG. 9

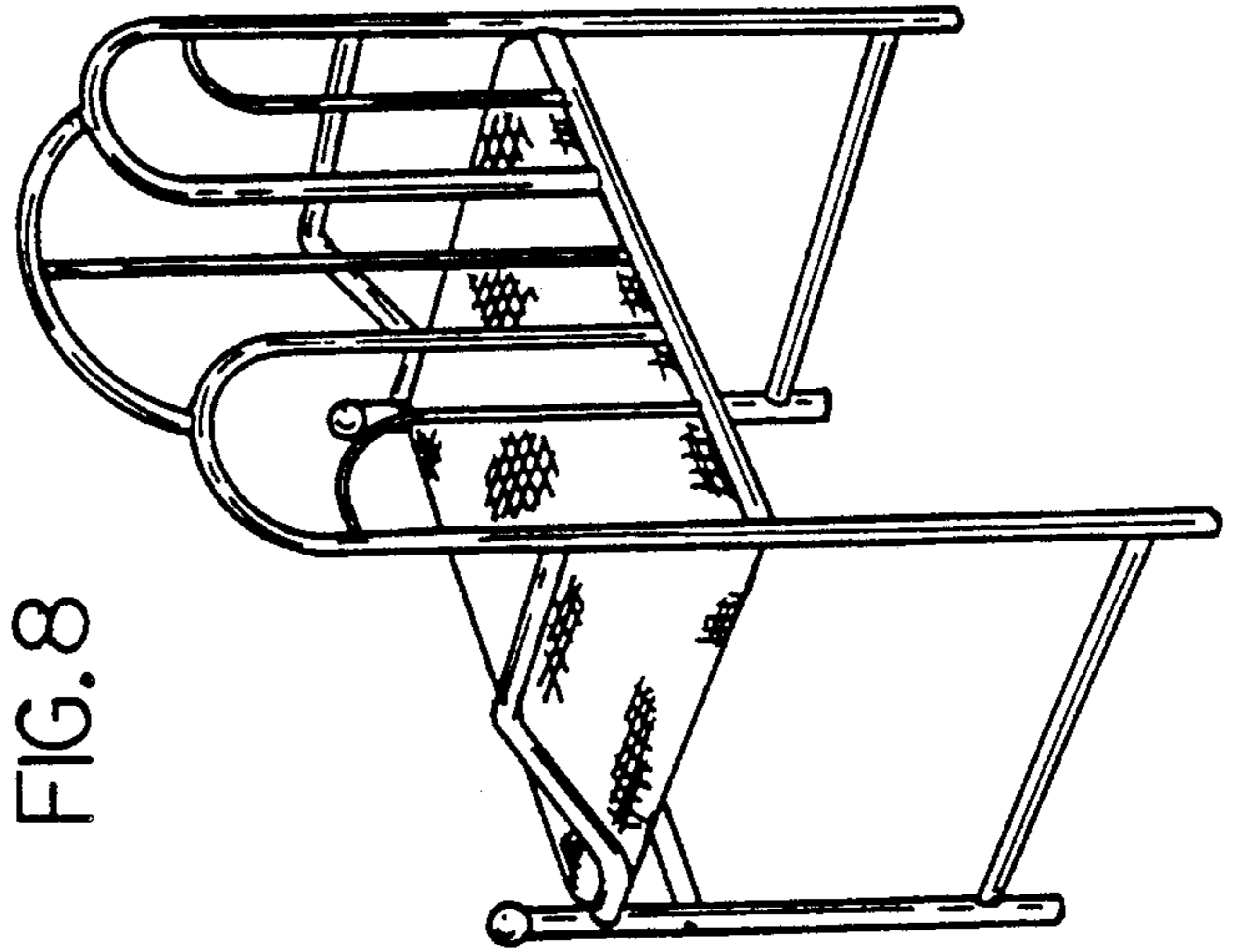


FIG. 8

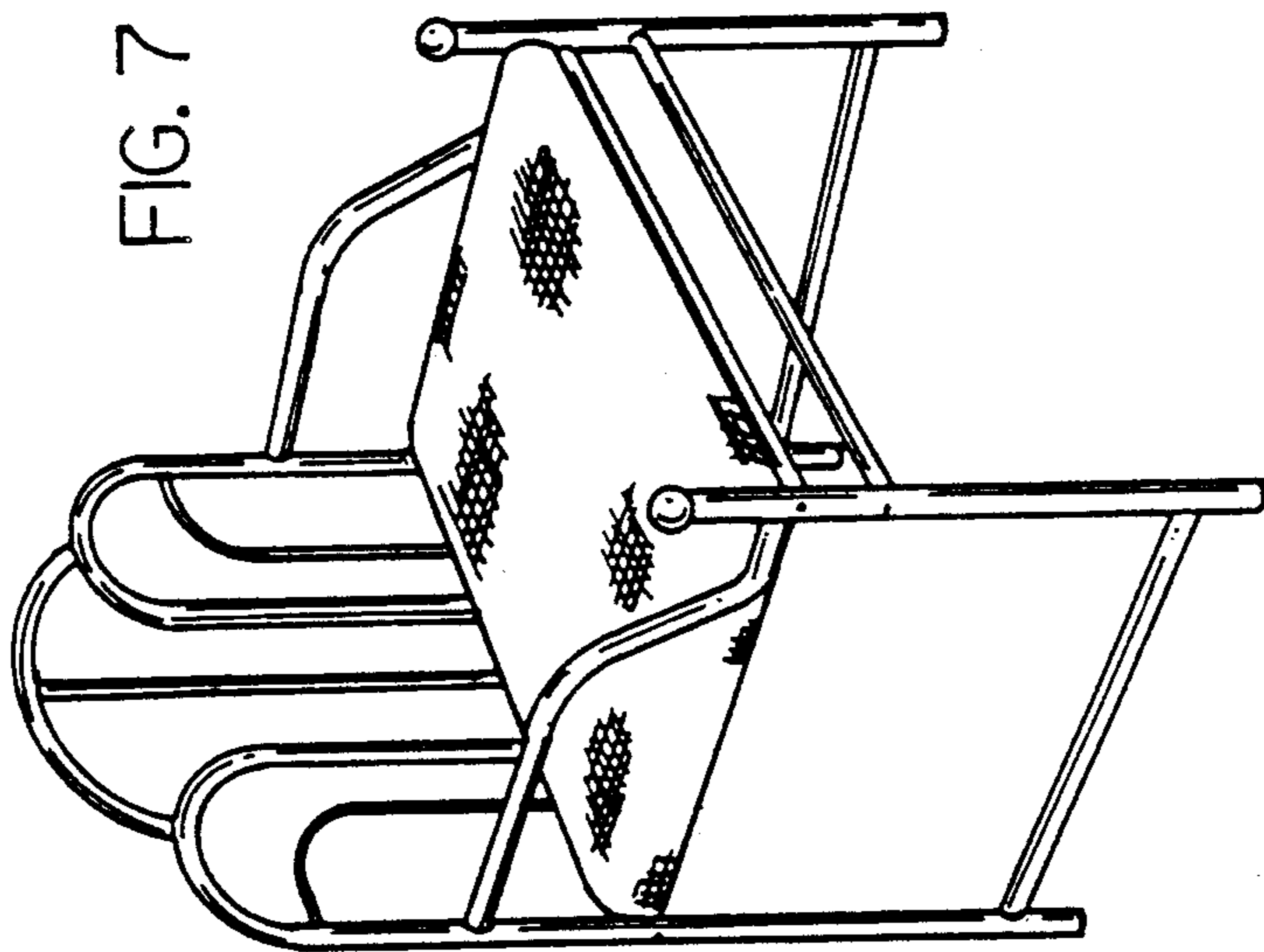


FIG. 7