

United States Patent [19]

Uemura

[11] Patent Number: Des. 314,085

[45] Date of Patent: ** Jan. 29, 1991

[54] MAGNETIC CASSETTE TAPE CASE

[75] Inventor: Noboru Uemura, Odawara, Japan

[73] Assignee: TDK Corporation, Tokyo, Japan

[**] Term: 14 Years

[21] Appl. No.: 89,849

[22] Filed: Aug. 27, 1987

[30] Foreign Application Priority Data

Jan. 8, 1987 [JP] Japan 62-332

[52] U.S. Cl. D3/35; D3/30.1

[58] Field of Search D3/30.1, 35, 36, 38, D3/39, 44, 49, 53, 60, 71-75, 78, 79, 99; D9/337; D19/26, 28, 76, 92; 150/147; 190/11, 16; 206/45, 45.13, 45.23, 214, 310, 312, 313, 373, 387, 412, 425, 444, 472, 561; 211/55; 220/4.21, 4.23, 507, 520, 555; 224/205; 294/149, 150; 360/133

[56] References Cited

U.S. PATENT DOCUMENTS

D. 144,533 4/1946 Worley D3/39
D. 171,576 3/1954 Birns D3/72
D. 259,596 6/1981 Gray D3/39
D. 271,349 11/1983 Thiele D3/35
D. 280,261 8/1985 Chuboff et al. D3/30.1
D. 280,678 9/1985 Loscalzo et al. D3/30.1
D. 287,906 1/1987 Tsuji et al. D3/30.1

Primary Examiner—A. Hugo Word
Assistant Examiner—Celia A. Murphy
Attorney, Agent, or Firm—Fred Philpitt

[57] CLAIM

The ornamental design for a magnetic cassette tape case, as shown and described.

DESCRIPTION

FIG. 1 is a perspective view of a magnetic cassette tape case showing my new design;
FIG. 2 is a front elevational view thereof;
FIG. 3 is a side elevational view thereof, the opposite side being identical;
FIG. 4 is a rear elevational view thereof;
FIG. 5 is a top plan view thereof; and
FIG. 6 is a bottom plan view thereof.

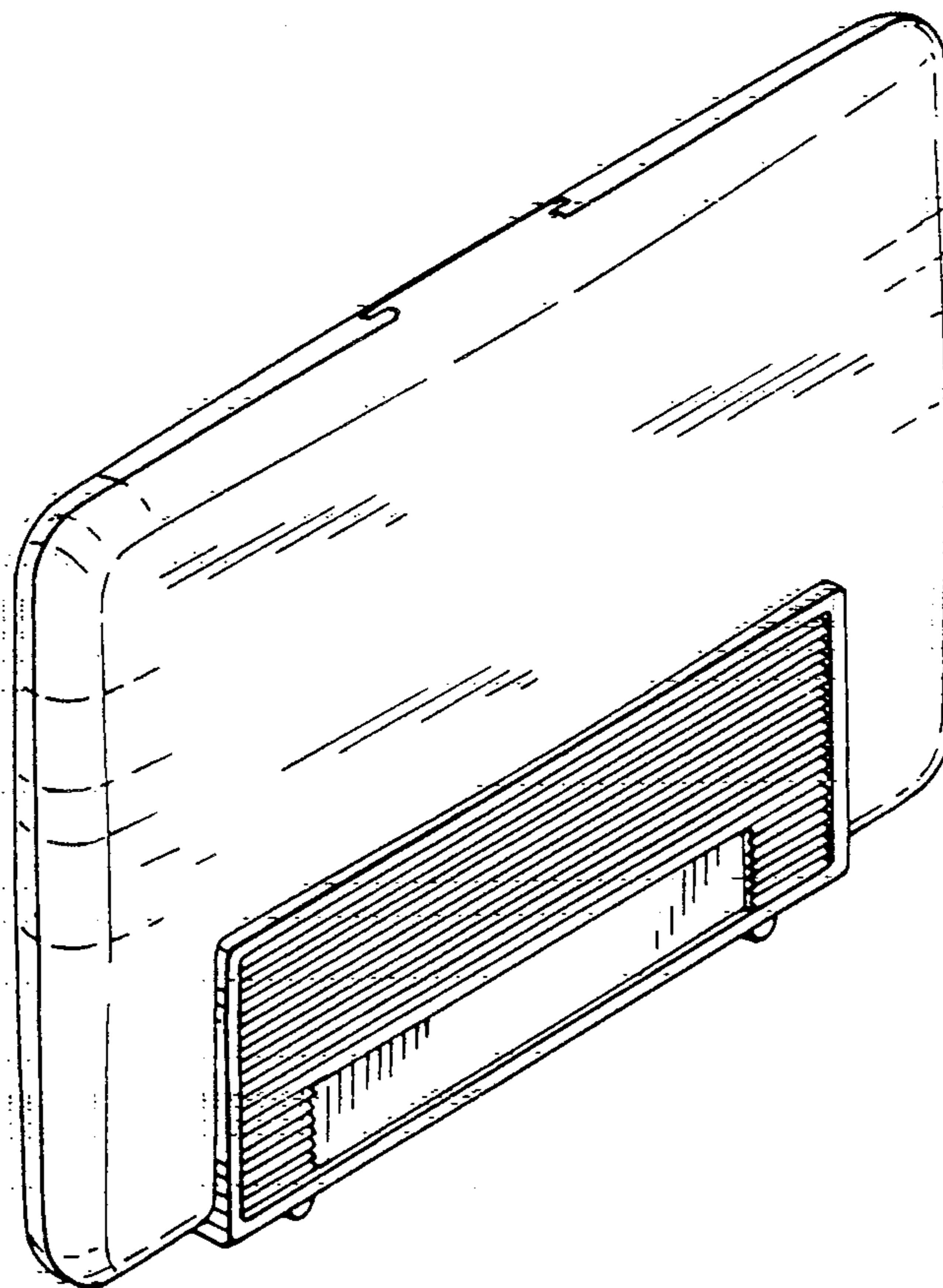


FIG. 1

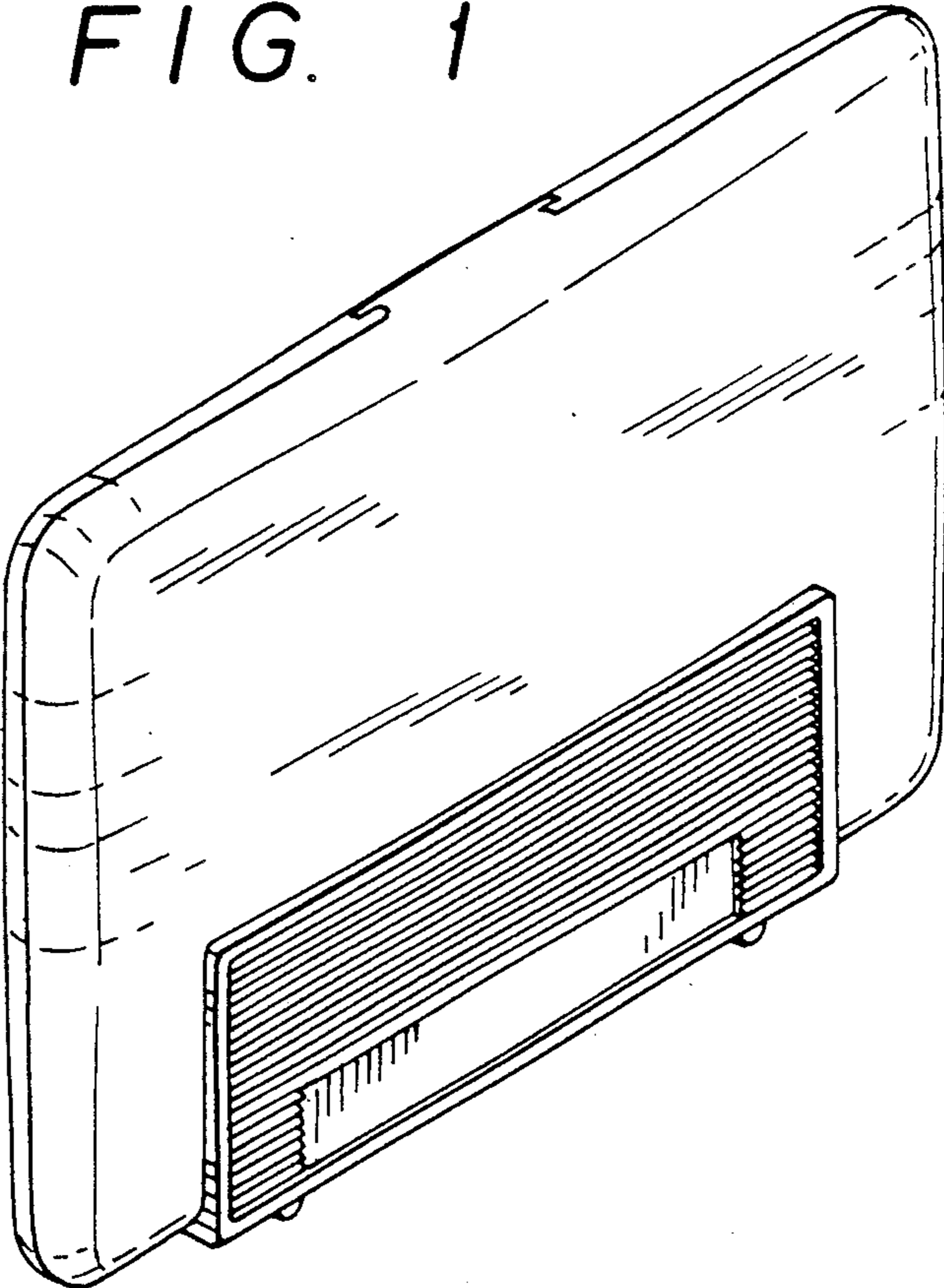


FIG. 2

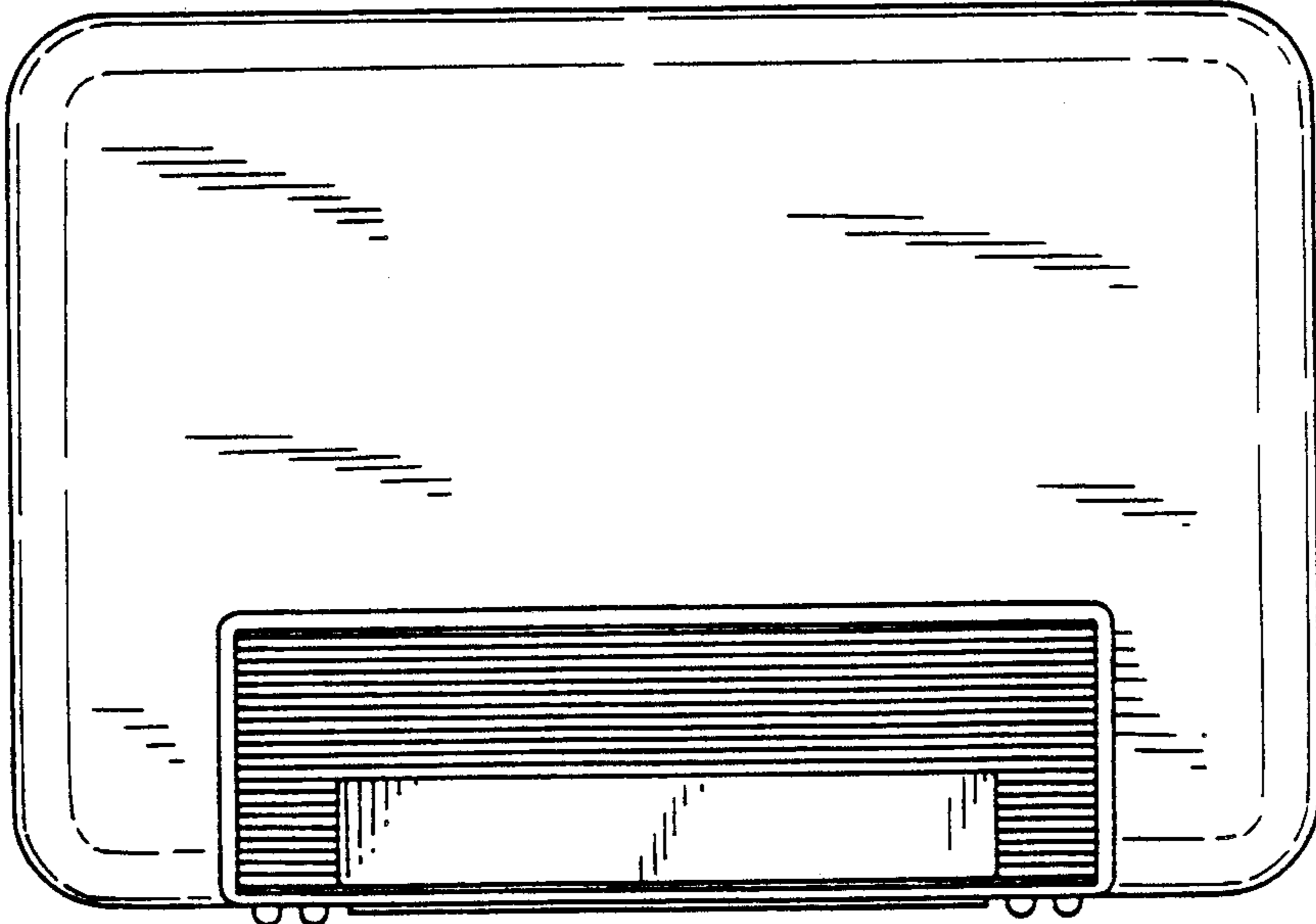


FIG. 3

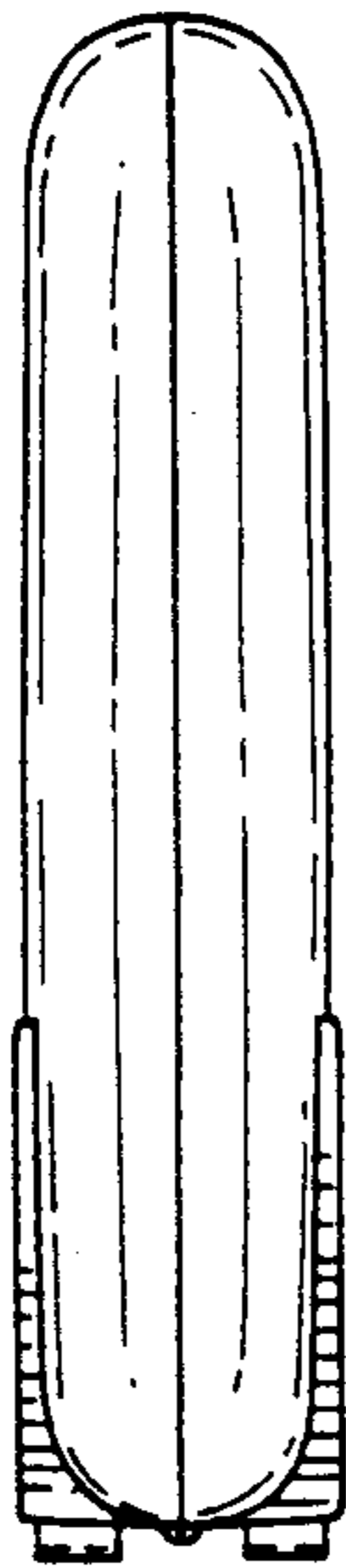


FIG. 4

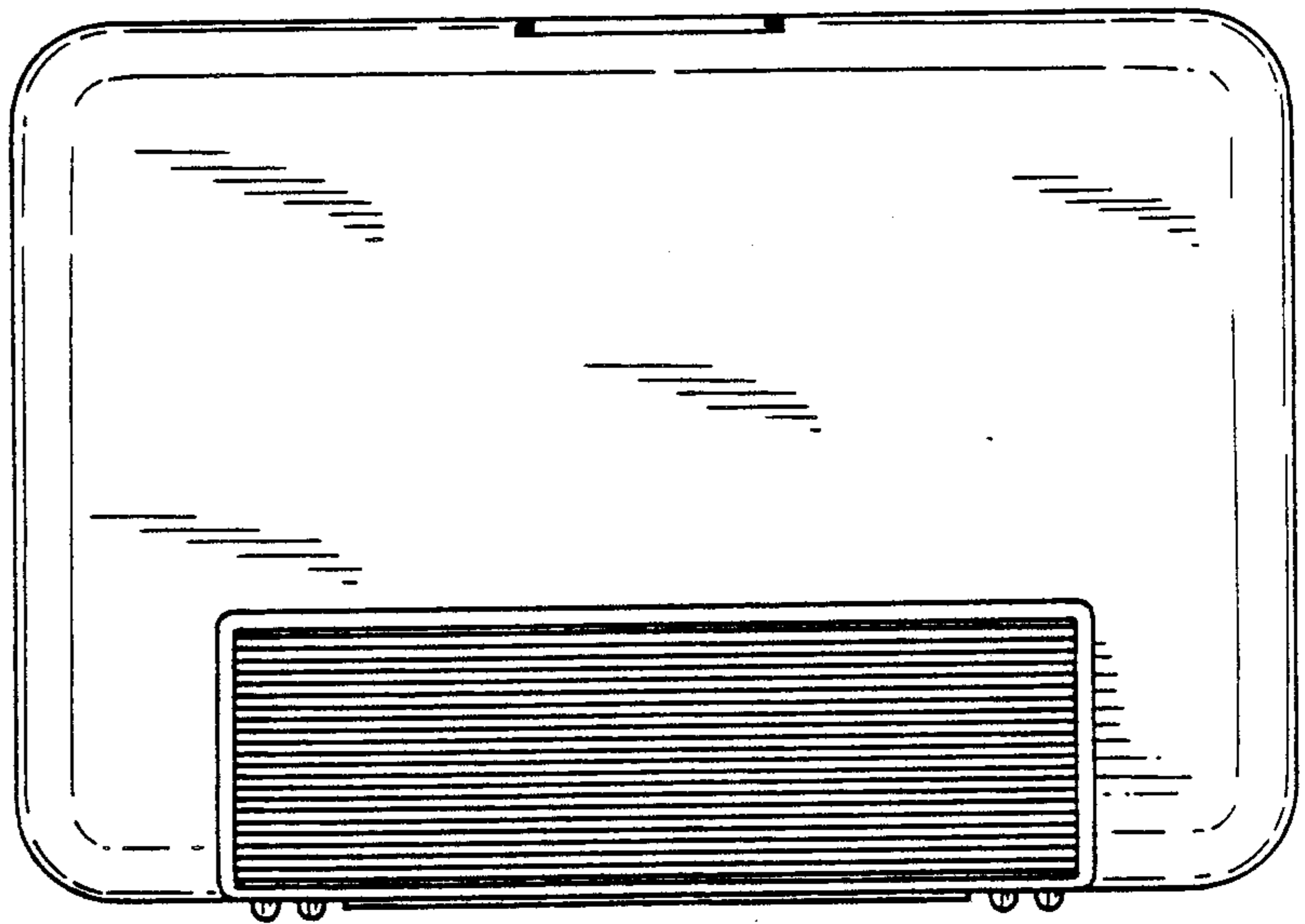


FIG. 5

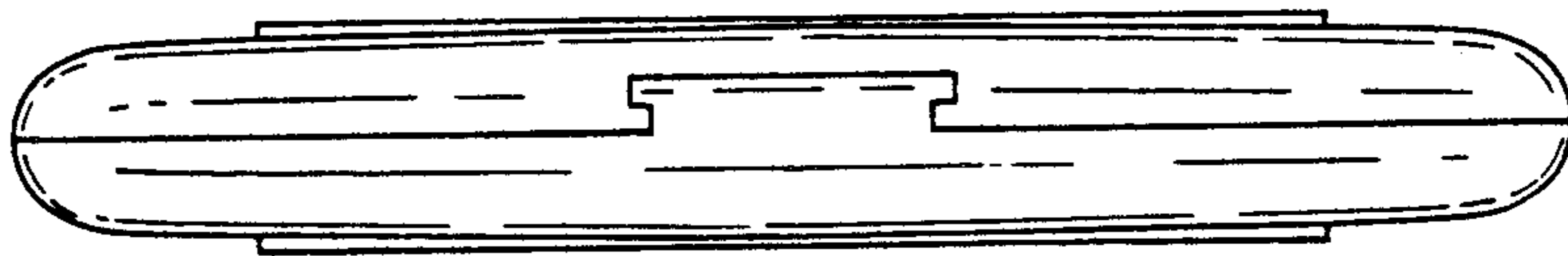


FIG. 6

