

[54] CARRYING CASE FOR DRAWINGS OR THE LIKE

[76] Inventor: Bardy Azadmard, 5955 W. 8th #111, Los Angeles, Calif. 90036

[**] Term: 14 Years

[21] Appl. No.: 25,838

[22] Filed: Mar. 13, 1987

[52] U.S. Cl. D3/30.1

[58] Field of Search D34/40, 43; D7/601, D7/602, 605, 607, 608; D3/30.1, 33, 77, 38, 37; D9/426, 432, 443; D8/71, 323, 330, 316; D15/122; 190/19, 39, 903, 26; 294/147; 175/5, 6, 18, 89, 91, 402, 226; 206/315.1, 315.11, 163, 317, 472, 427, 428; 220/70, 94 R, 4 B, 4 E; 312/DIG. 33; 350/117; 383/18, 907, 4; 215/100 A; 224/202, 917; 150/107, 154

[56] References Cited

U.S. PATENT DOCUMENTS

D. 255,282	6/1980	Leavitt	D3/30.1
D. 283,758	5/1986	Stewart et al.	D3/30.1
D. 285,746	9/1986	Oates	D3/30.1
D. 291,745	9/1987	Hansen	D3/30.1

1,288,320	12/1918	Weaver	224/202
1,647,169	11/1927	Anton	150/154
2,057,933	10/1936	Brinkman	224/202
2,557,280	6/1951	Hahn	383/4
3,128,854	4/1964	Specht	190/903
3,768,610	10/1973	Housel	190/903
4,188,988	2/1980	Agyagos	D3/30.1

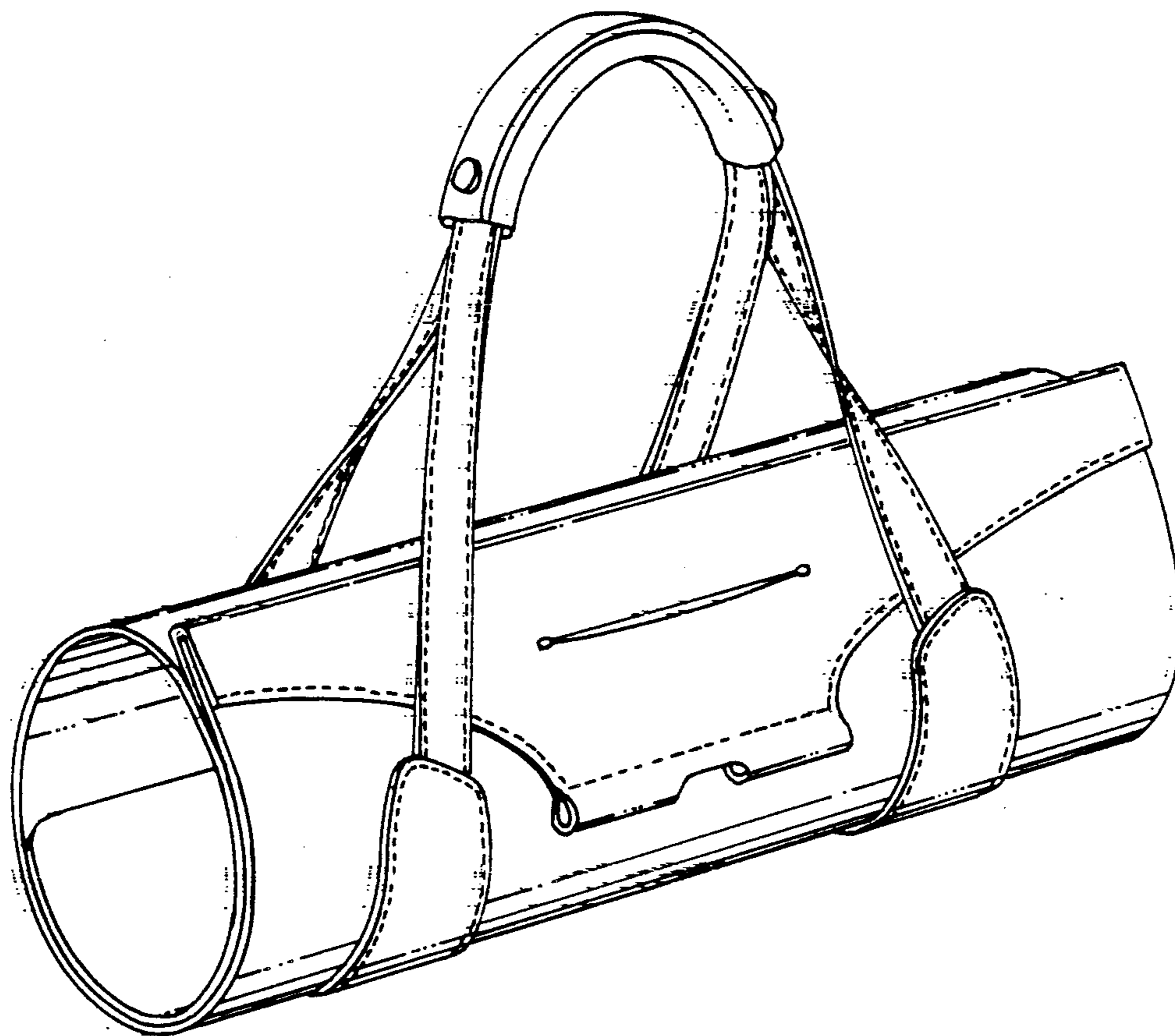
Primary Examiner—James R. Largen
Assistant Examiner—Cathy Anne MacCormac
Attorney, Agent, or Firm—Blakely, Sokoloff, Taylor & Zafman

[57] CLAIM

The ornamental design for a carrying case for drawings or the like, as shown and described.

DESCRIPTION

FIG. 1 is a top, front and left side perspective view of a carrying case for drawings or the like showing my new design;
FIG. 2 is a top plan view thereof;
FIG. 3 is a front elevational view thereof;
FIG. 4 is a right side elevational view thereof;
FIG. 5 is a left side elevational view thereof;
FIG. 6 is a rear elevational view thereof; and
FIG. 7 is a bottom plan view thereof.



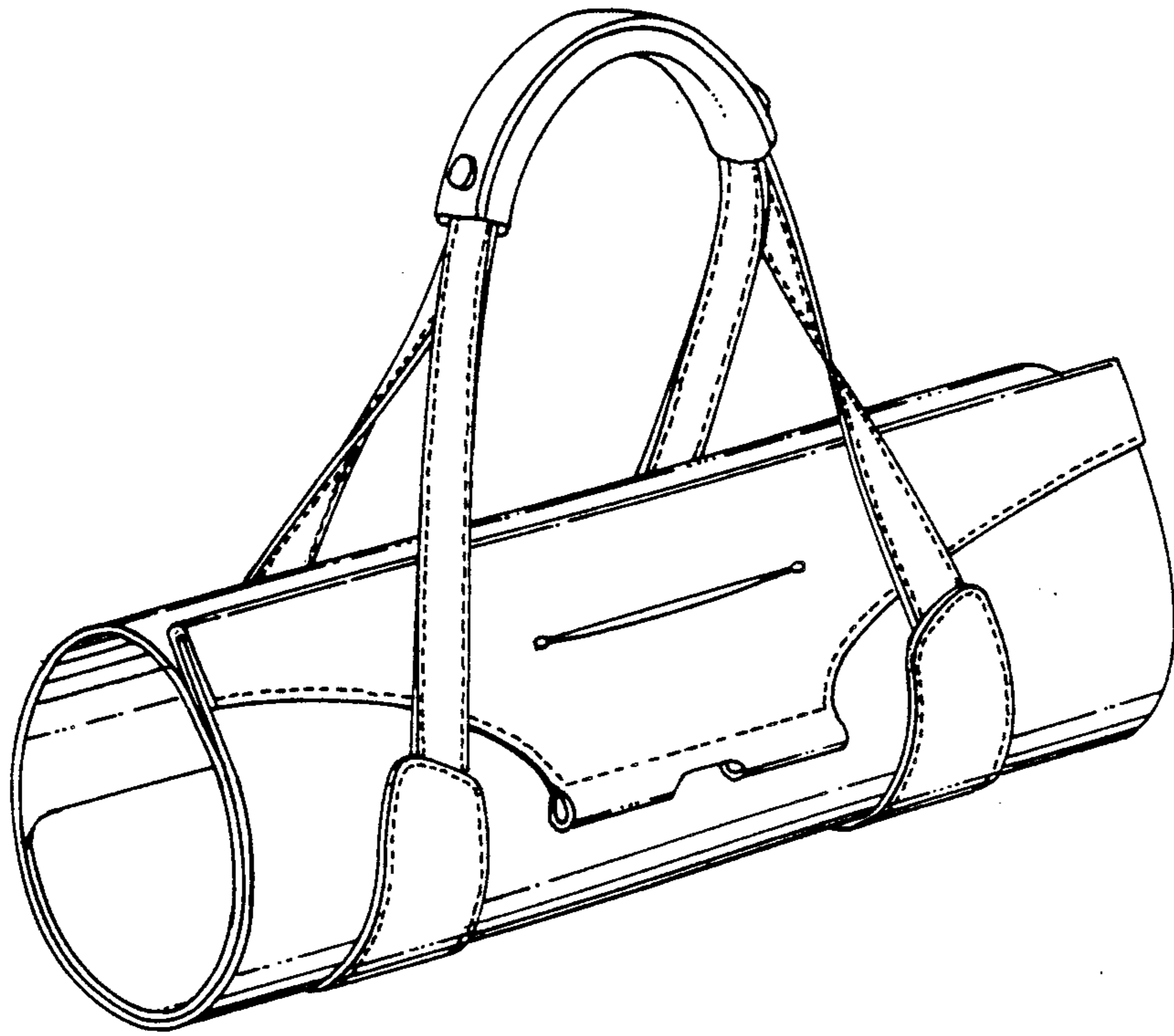


Fig. 1

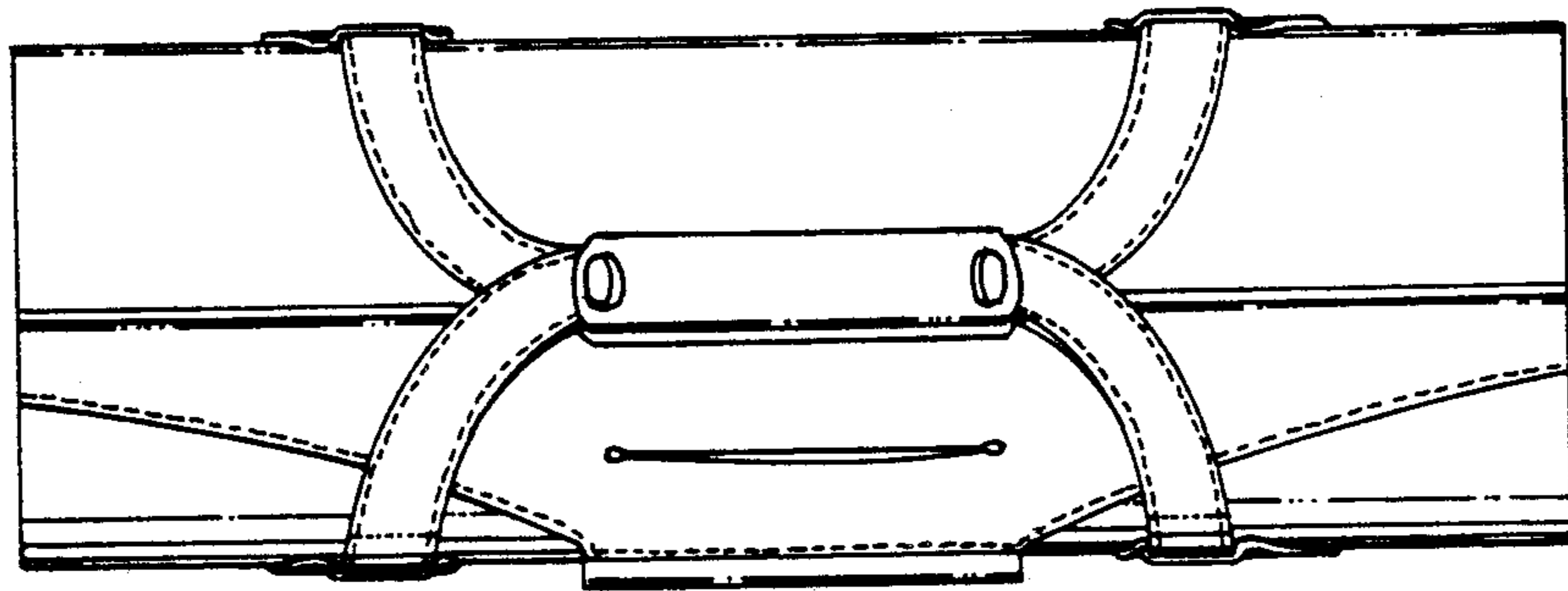


Fig. 2

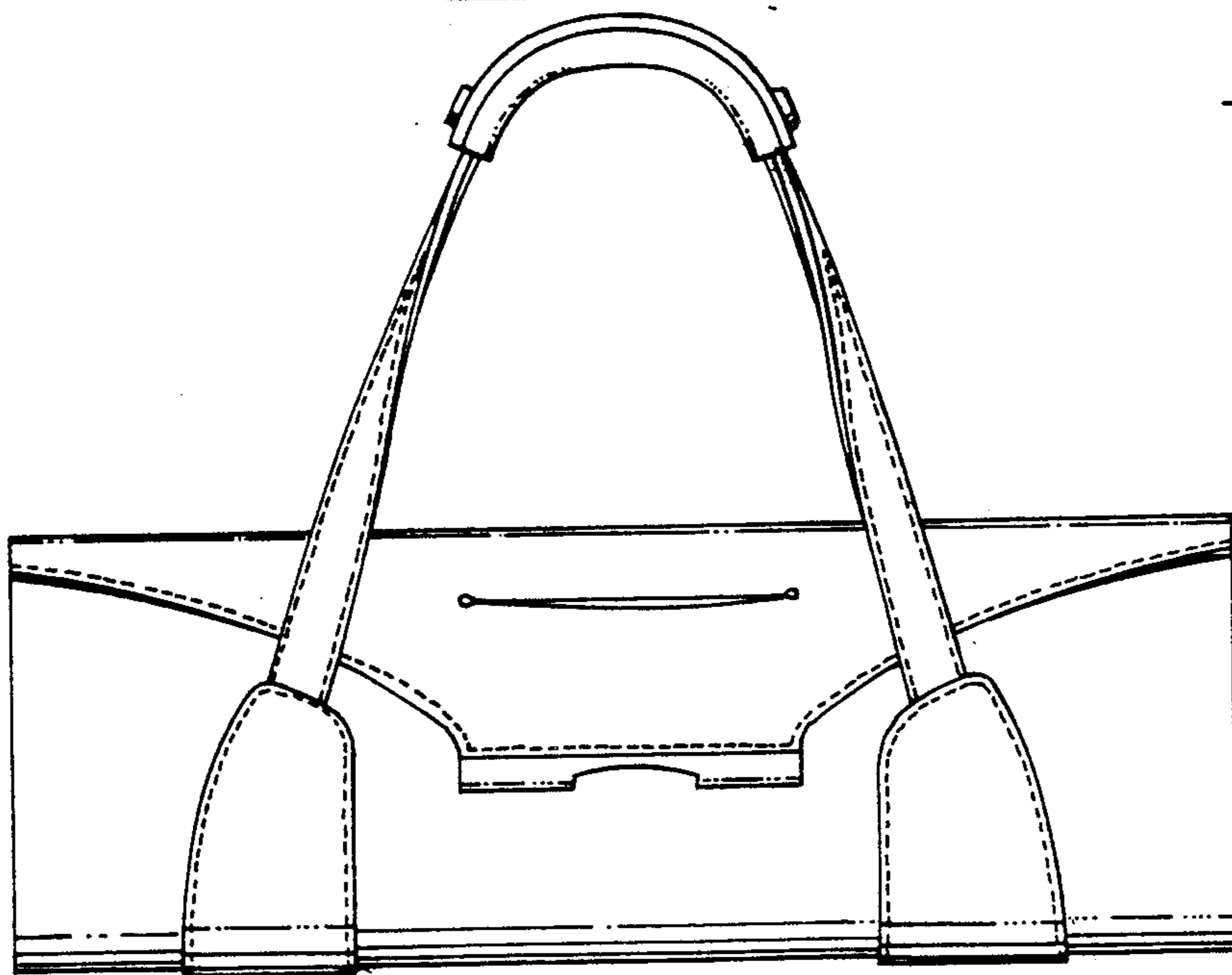


Fig. 3

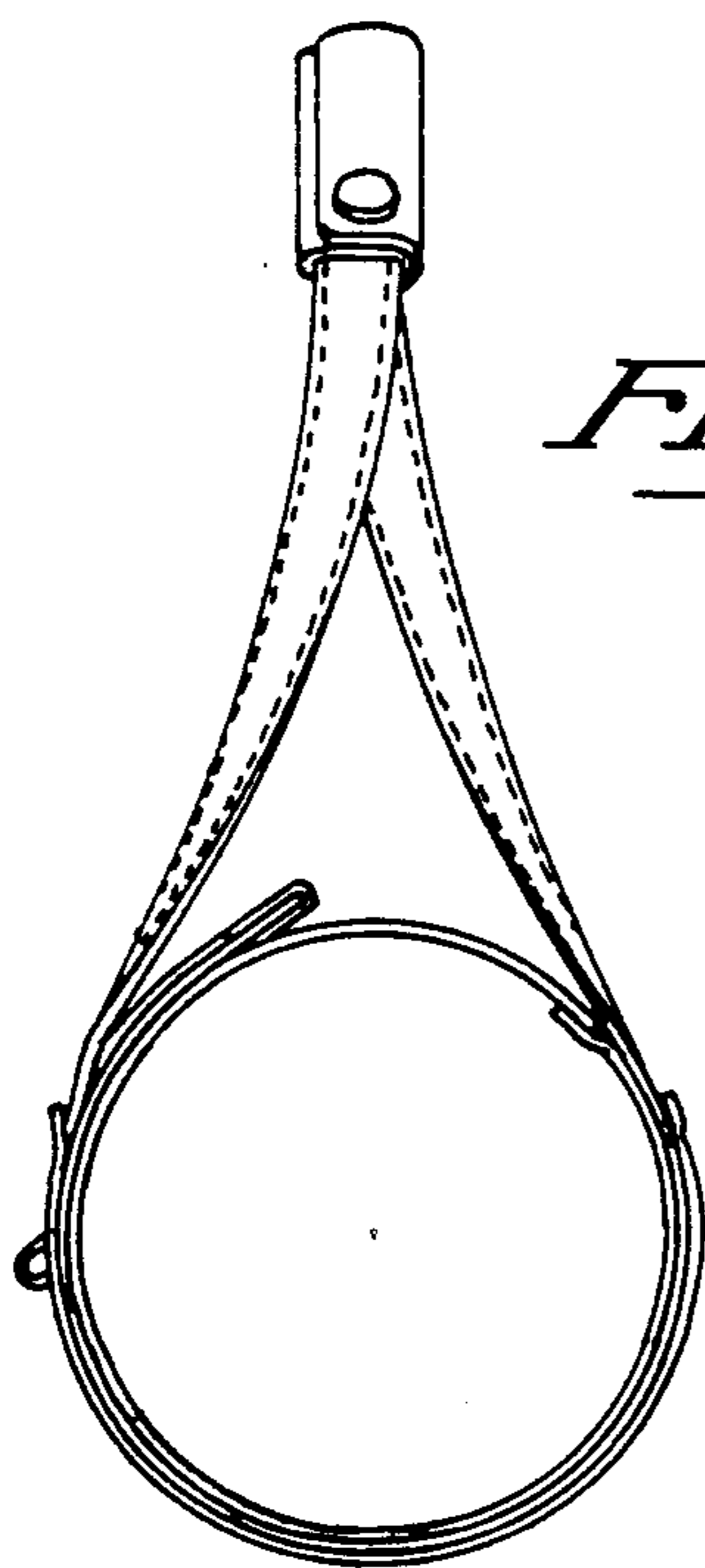


Fig. 4

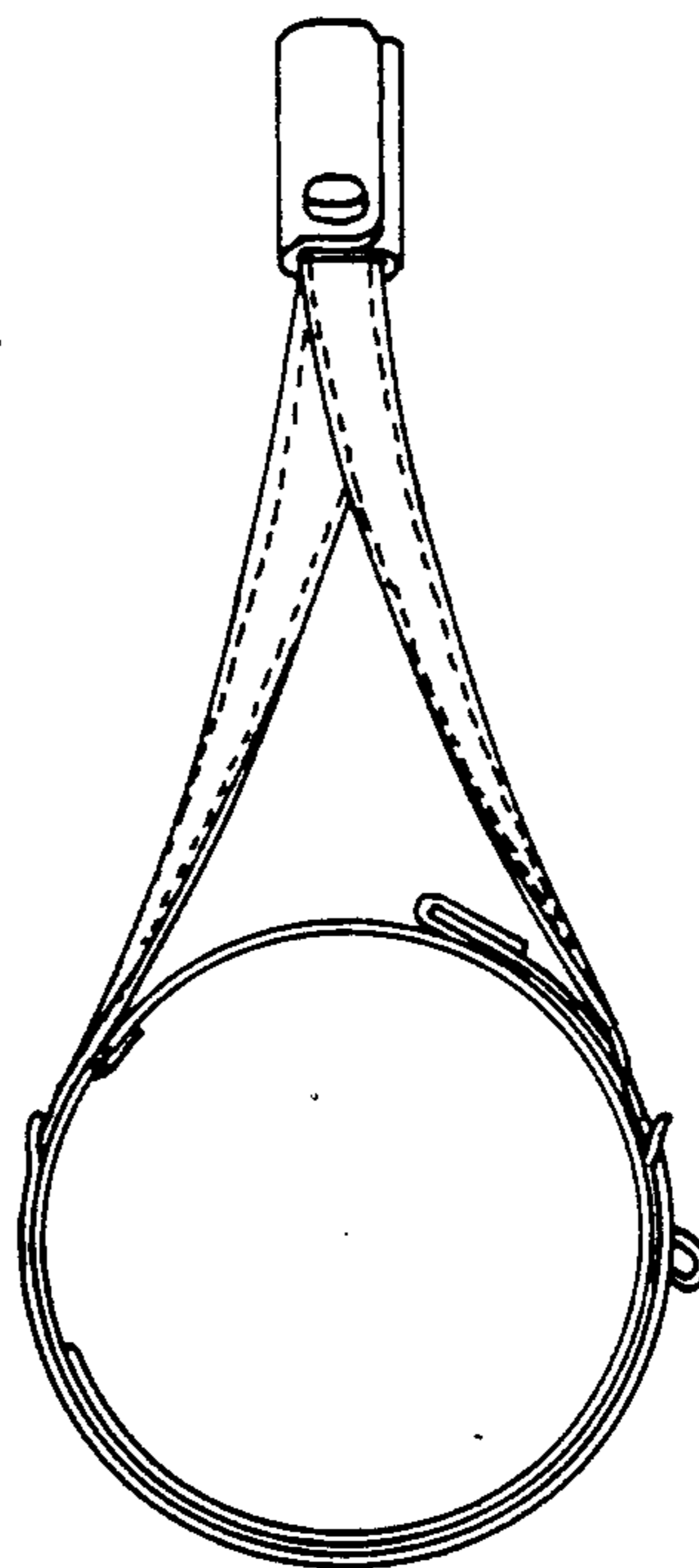


Fig. 5

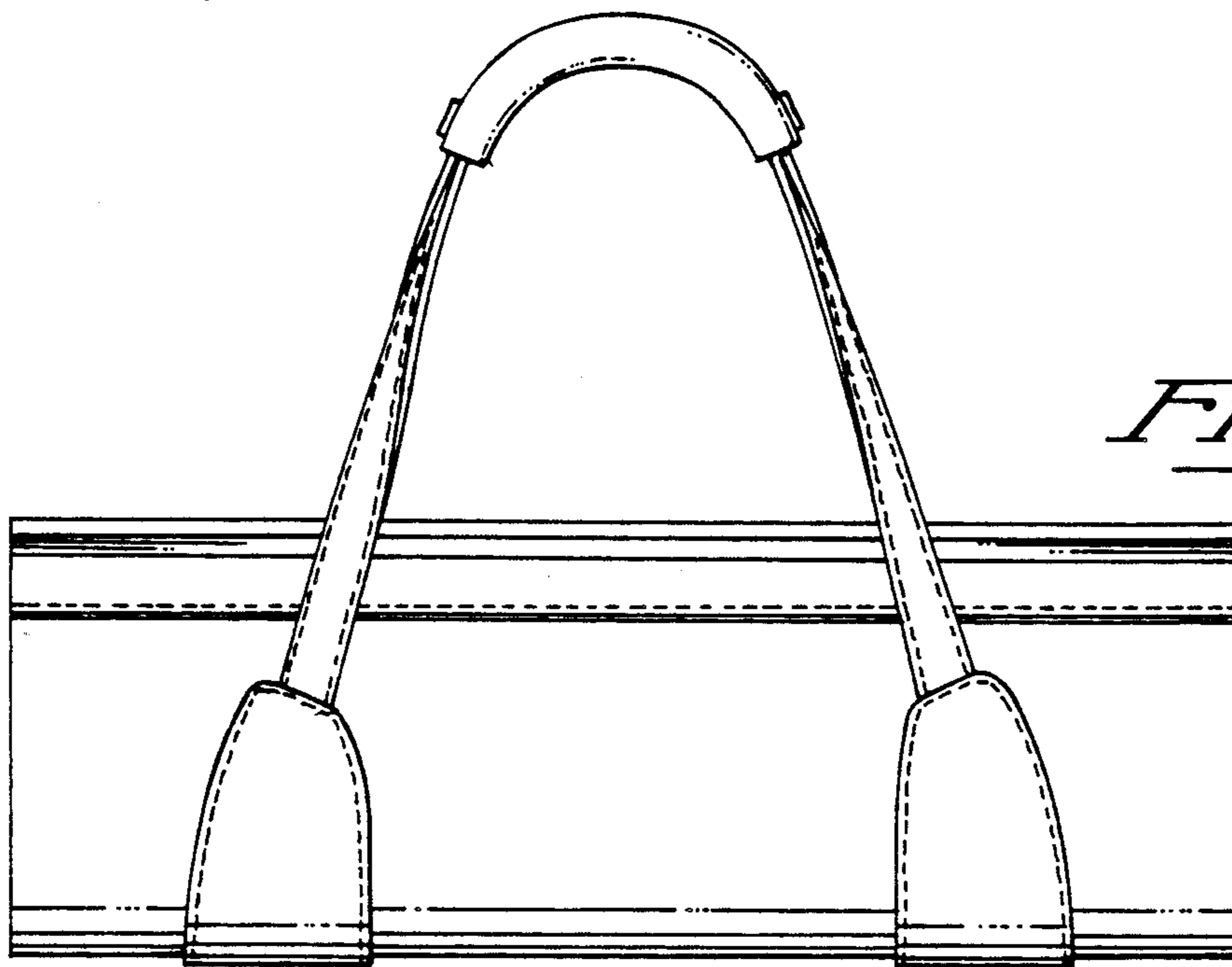


Fig. 6

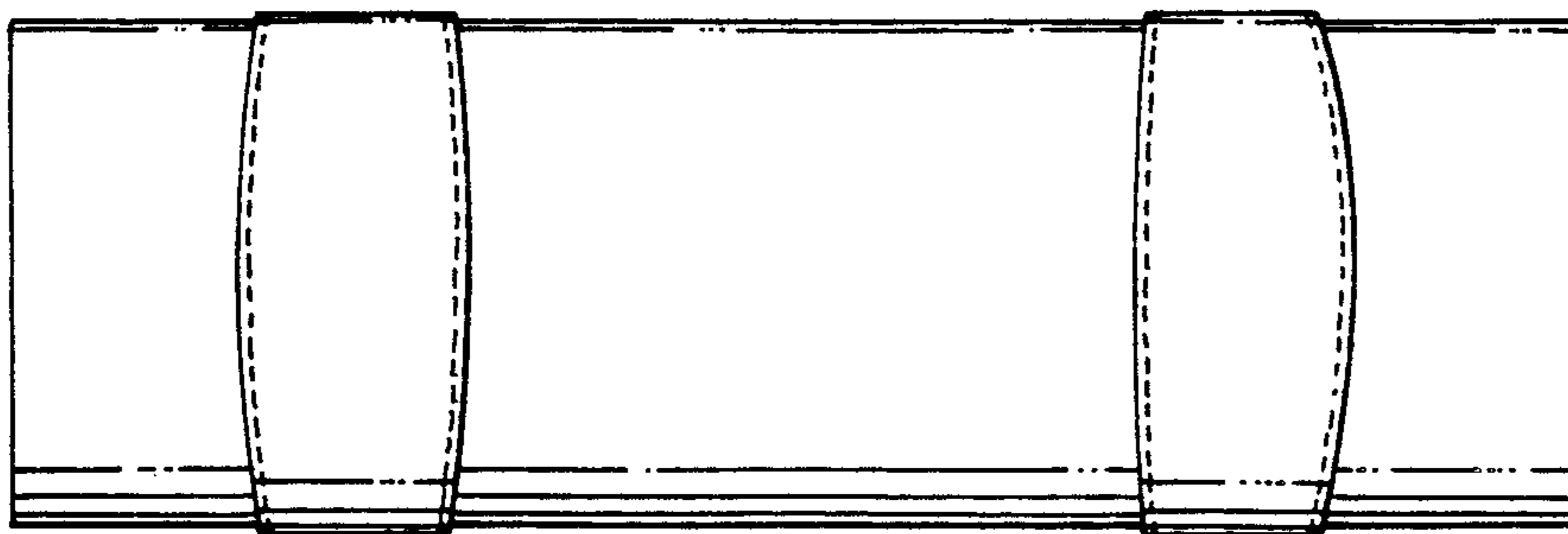


Fig. 7