

[54] **LIGHTED BRIEFCASE**

[75] **Inventor: William T. Hankinson, 328  
Vandervoort St., North Tonawanda,  
N.Y. 14120**

[73] **Assignee: William T. Hankinson, N.  
Tonawanda, N.Y.**

[\*\*] **Term: 14 Years**

[21] **Appl. No.: 218,600**

[22] **Filed: Jul. 13, 1988**

[52] **U.S. Cl. .... D3/76**

[58] **Field of Search ..... D3/76, 71, 72, 73, 74,  
D3/75, 78; 150/147; 190/110, 112, 16, 122, 100,  
109, 902, 900, 901, 102, 119, 107; 206/570,  
315.1, 387; 362/156, 154**

[56] **References Cited**

**U.S. PATENT DOCUMENTS**

D. 128,658 8/1941 Aber ..... D3/74 X  
3,177,991 4/1965 Walker ..... 190/119 X  
3,263,779 8/1966 Bialer ..... 190/110  
4,014,416 3/1977 Golden ..... 206/315.1

**FOREIGN PATENT DOCUMENTS**

883546 5/1960 United Kingdom ..... 362/156

*Primary Examiner*—Louis S. Zarfes

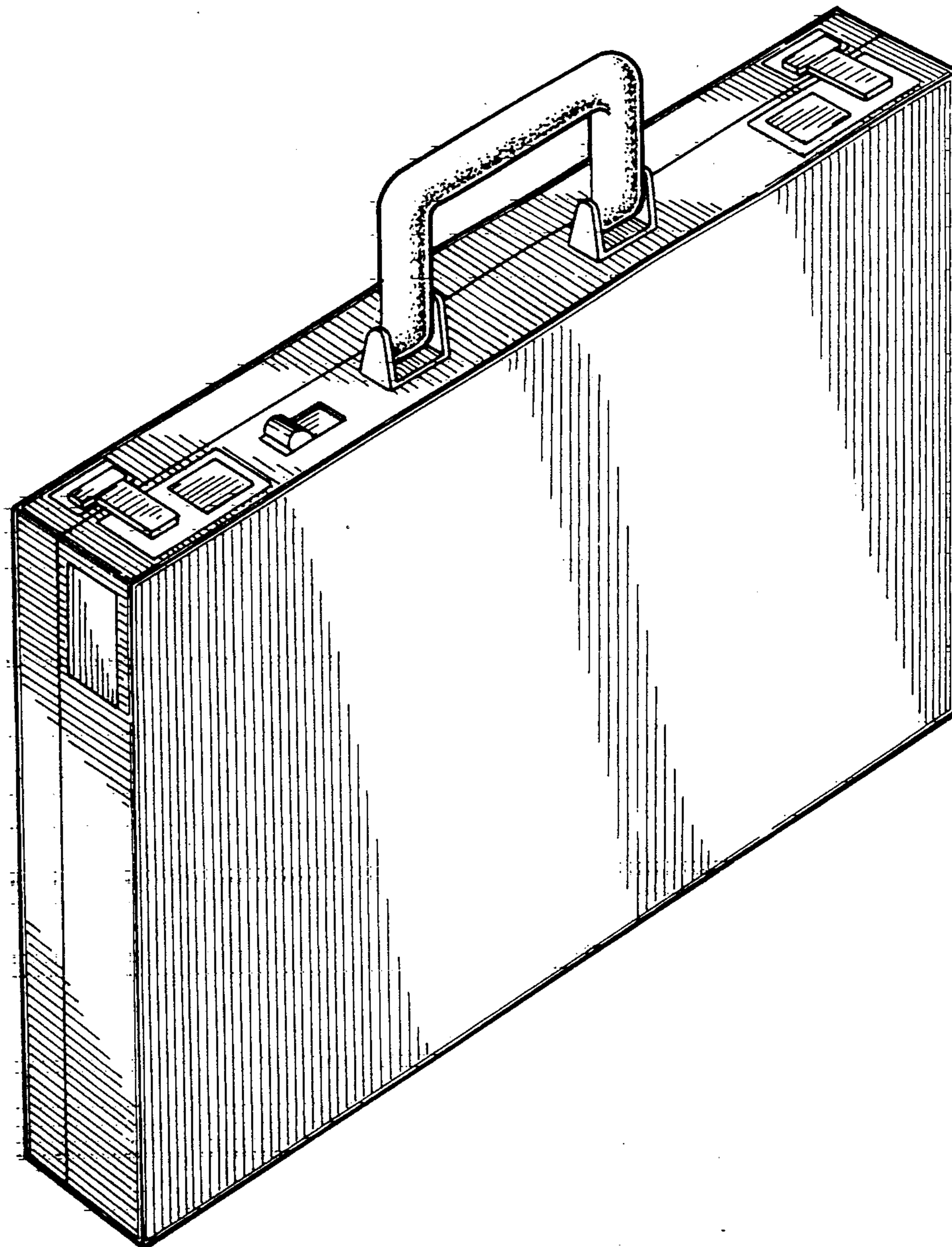
*Assistant Examiner*—M. N. Pandozzi

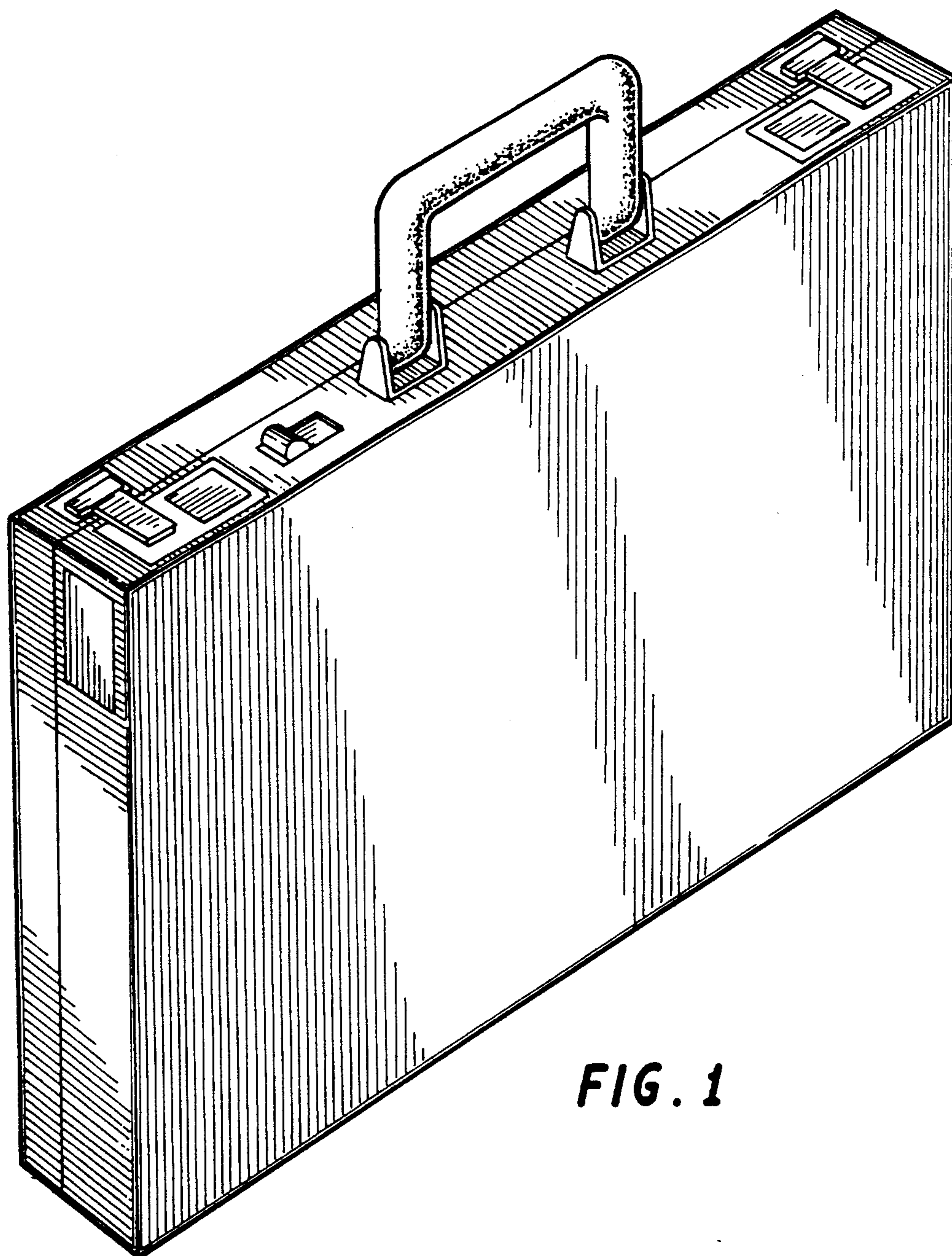
[57] **CLAIM**

The ornamental design for a lighted briefcase, as shown.

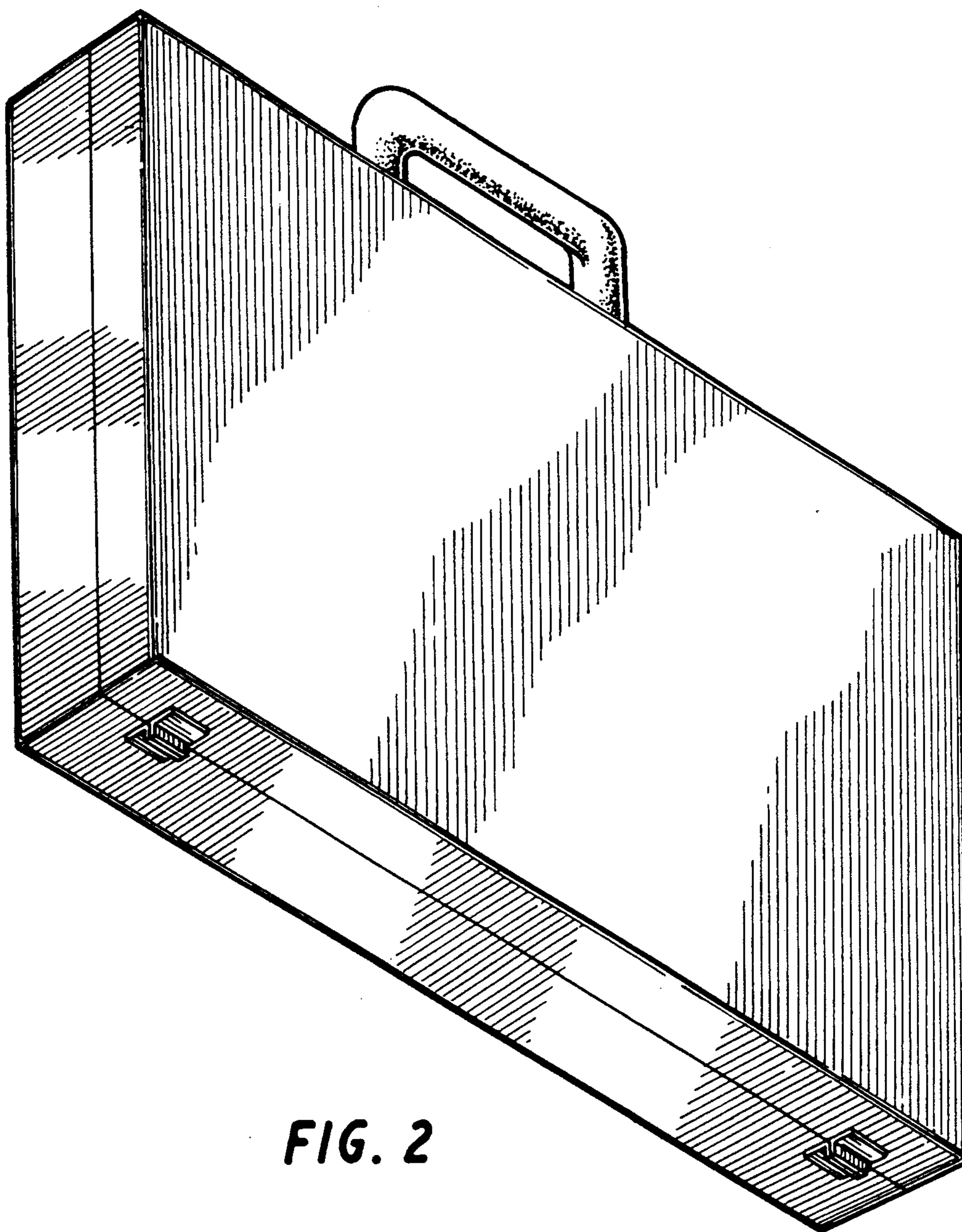
**DESCRIPTION**

FIG. 1 is a top, front left perspective view of a lighted briefcase showing my new design; and FIG. 2 is a bottom rear right perspective view.





**FIG. 1**



**FIG. 2**