

[54] **TOOL BOX**

[76] **Inventor: James W. Kime, 4895 Settles Pt., NW., Suwanee, Ga. 30174**

[\*\*] **Term: 14 Years**

[21] **Appl. No.: 303,396**

[22] **Filed: Jan. 30, 1989**

[52] **U.S. Cl. .... D3/73**

[58] **Field of Search .... D3/105, 74, 73, 30.1, D3/35, 76, 74, 52, 72, 77, 79; D28/73; 206/315.11, 545, 373; 312/201, DIG. 33; 383/39, 2; 190/900, 119, 109, 901, 107, 115, 110; D7/626; D14/201**

[56] **References Cited**

**U.S. PATENT DOCUMENTS**

D. 305,809	1/1990	Weber et al. ....	D28/78 X
1,462,245	7/1923	Reglein .....	206/373 X
3,025,947	3/1962	Hammer .....	D7/77 X
4,303,158	9/1979	Perkins .....	312/DIG. 33
4,449,629	5/1984	Barrieau .....	206/373
4,768,652	9/1988	Fallon .....	206/373

**FOREIGN PATENT DOCUMENTS**

3323394 1/1985 United Kingdom ..... 190/900

*Primary Examiner—Louis S. Zarfaz*  
*Assistant Examiner—M. N. Pandozzi*  
*Attorney, Agent, or Firm—Jennings, Carter, Thompson & Veal*

[57] **CLAIM**

The ornamental design for a tool box, as shown and described.

**DESCRIPTION**

FIG. 1 is a front perspective view of a tool box showing my new design;  
FIG. 2 is a rear perspective view thereof;  
FIG. 3 is a front elevational view thereof, drawn to a larger scale than that shown in FIGS. 1 and 2;  
FIG. 4 is a rear elevational view thereof;  
FIG. 5 is a side elevational view as seen from the left side of FIG. 3, the side not shown being a mirror image of the side shown;  
FIG. 6 is a top plan view thereof; and  
FIG. 7 is a bottom plan view thereof.

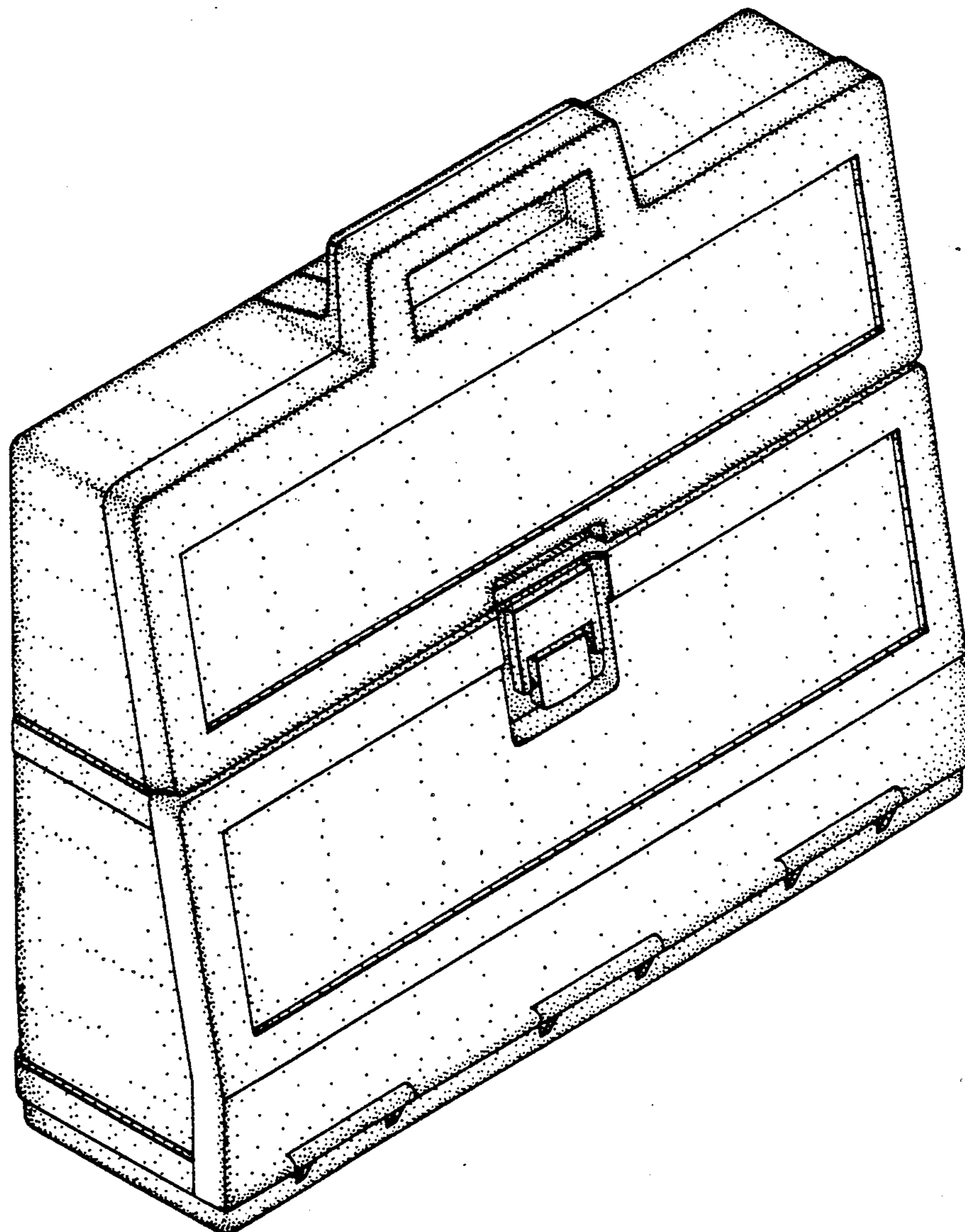
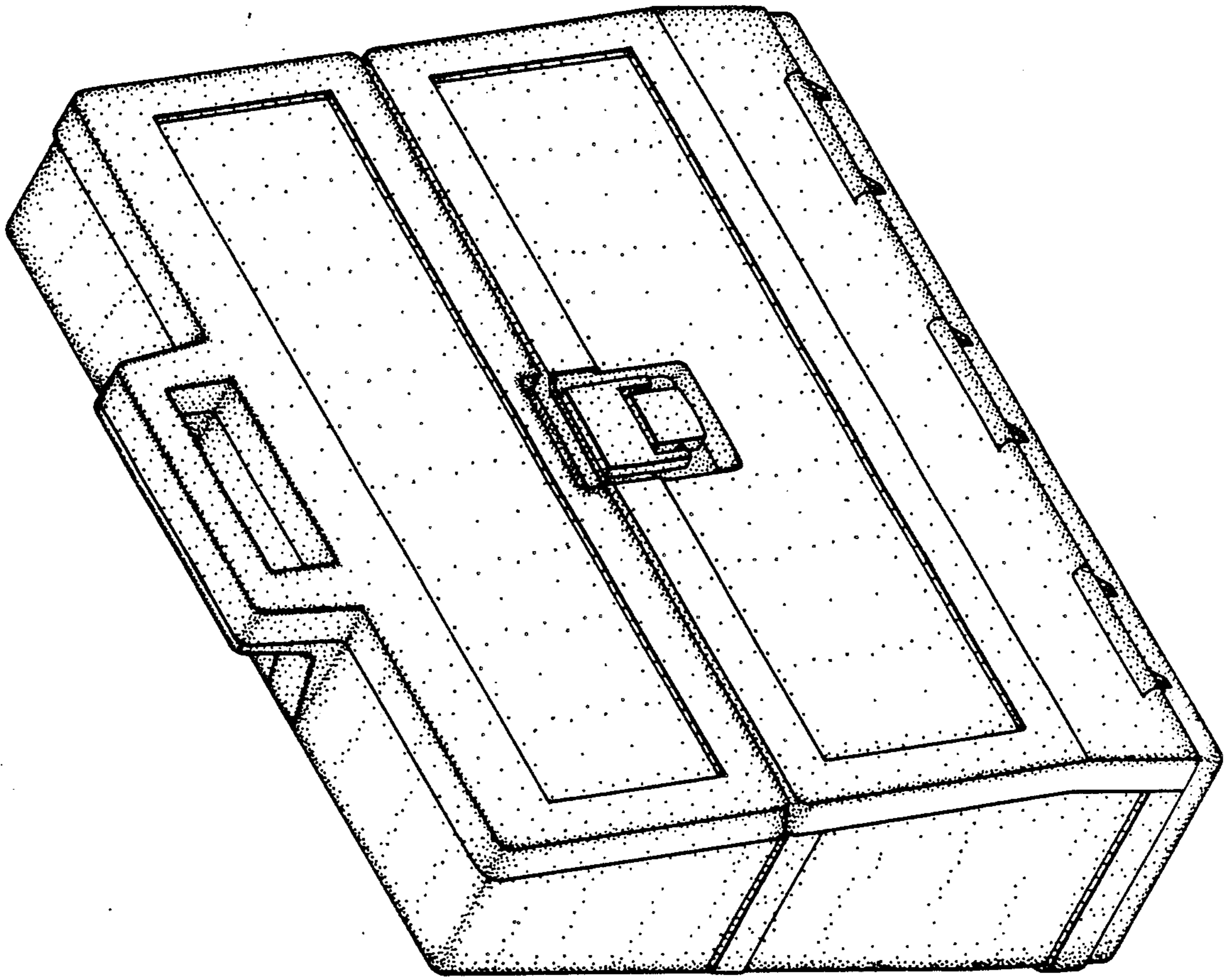


Fig. 1



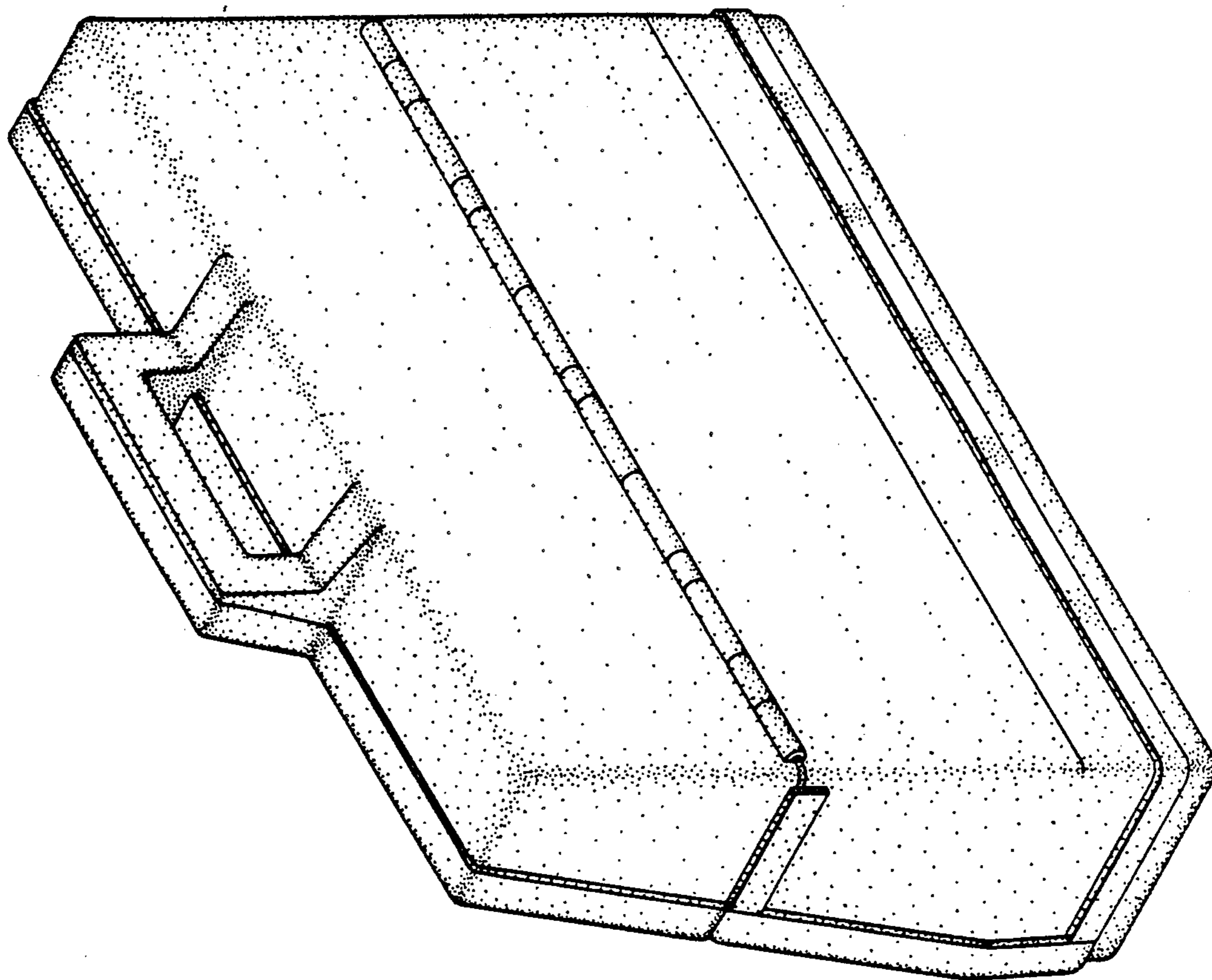


Fig. 2

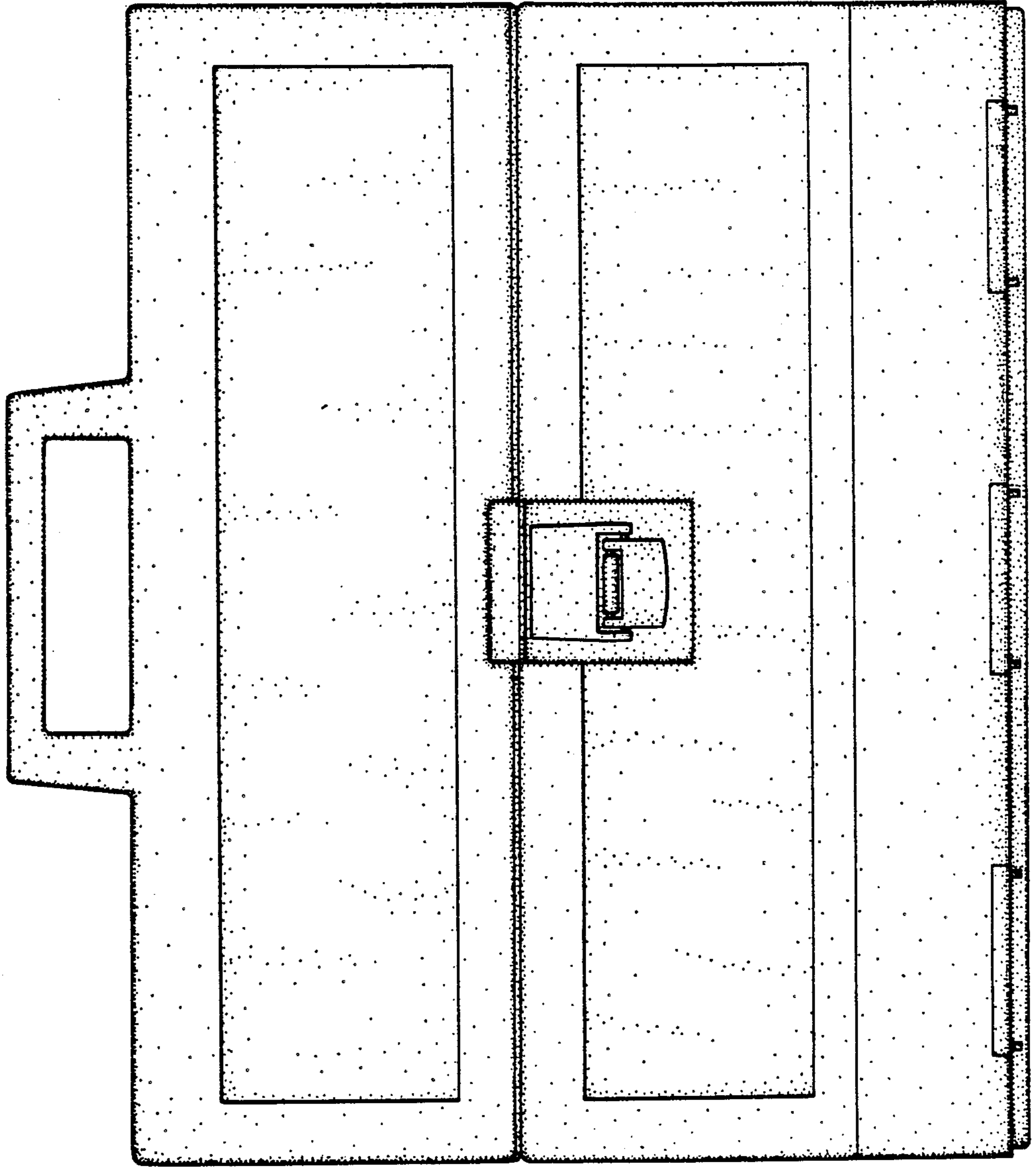


Fig. 3

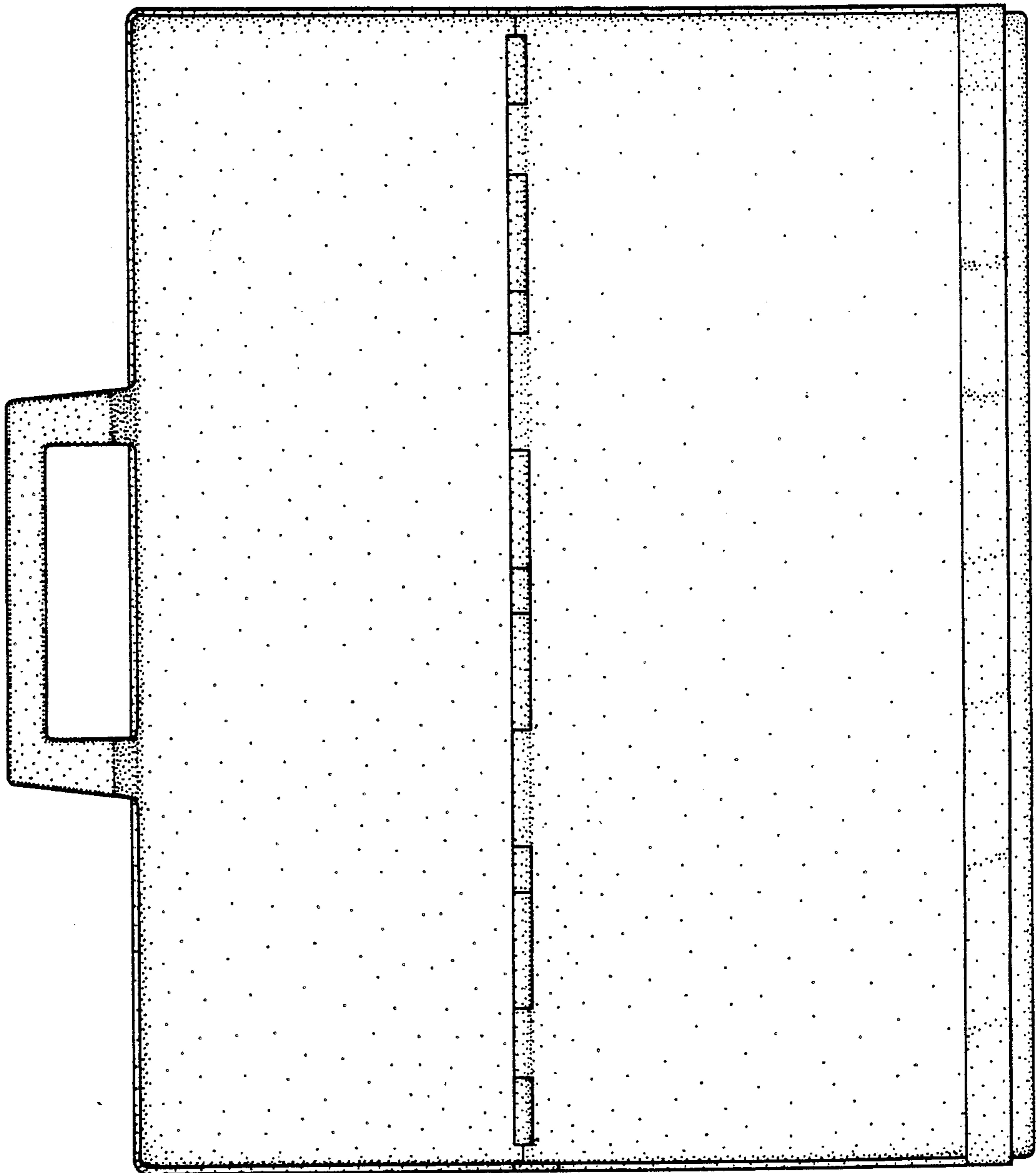


Fig. 4

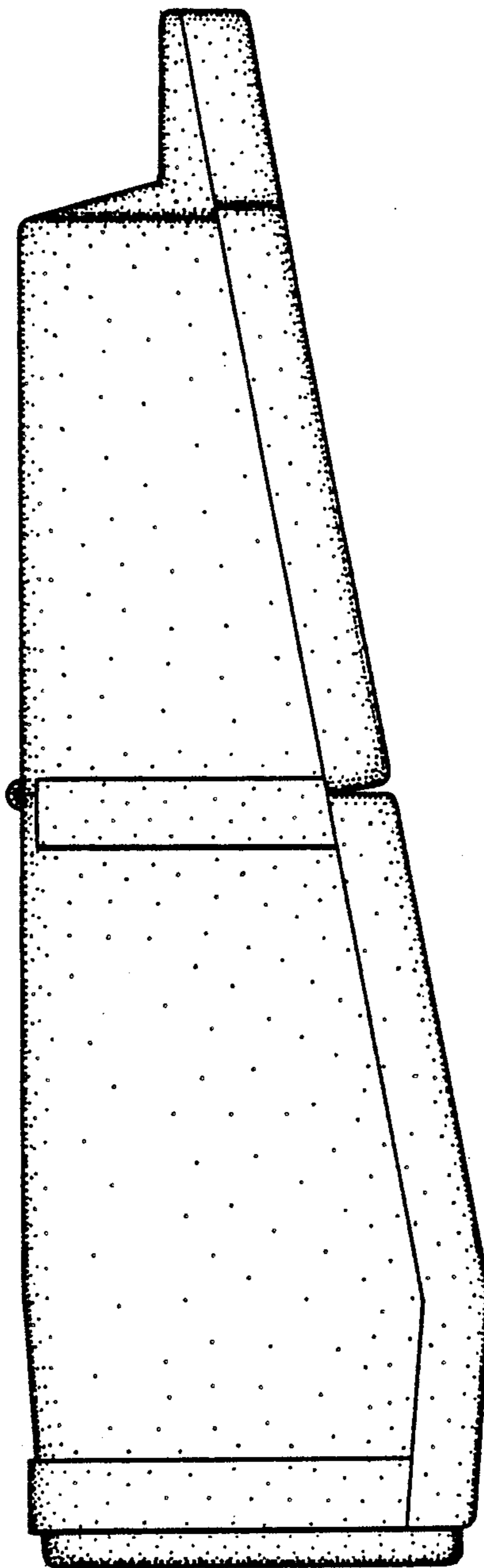


Fig. 5

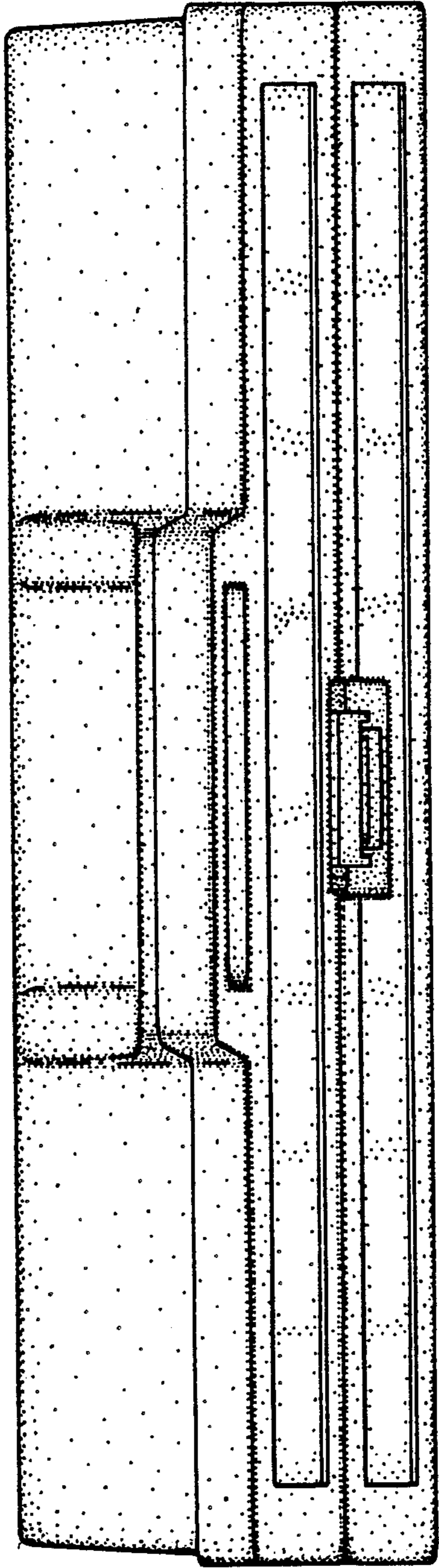


Fig 6

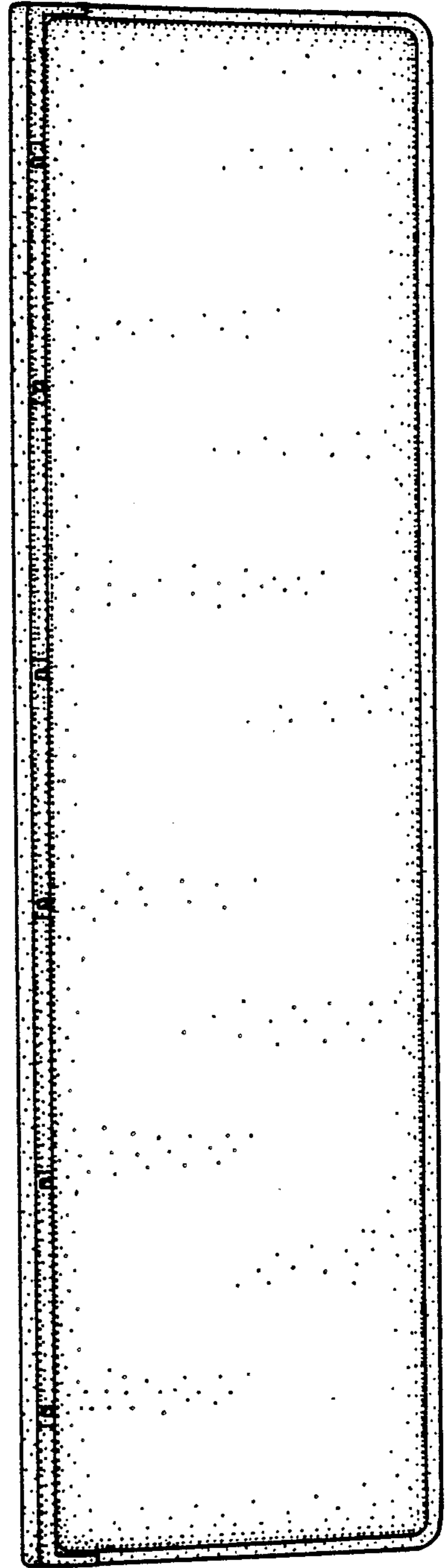


Fig 7