

[54] **NIGHT DEPOSITORY FOR USE WITH
AUTOMATED TELLER MACHINE OR
SIMILAR ARTICLE**

[76] **Inventors: Alex M. Tarkany, 1526 Langdon Dr.,
Centerville, Ohio 45459; John P.
Caldwell, 2918 Asbury Ct.,
Miamisburg, Ohio 45342; Jay Sucre,
400 Pamela Sue Dr., Kettering, Ohio
45429**

[**] **Term: 14 Years**

[21] **Appl. No.: 33,541**

[22] **Filed: Apr. 1, 1987**

[52] **U.S. Cl. D99/28; D99/43**

[58] **Field of Search D99/28, 43, 99; 109/24,
109/1, 66; 232/44; 235/379, 381**

[56] **References Cited**

U.S. PATENT DOCUMENTS

D. 177,616	5/1956	Dreyfuss	D99/43
D. 226,088	1/1973	Anderson et al.	D99/28
D. 238,429	1/1976	Hermann	D99/28
D. 249,900	10/1978	Lee	D99/28
D. 254,546	3/1980	Berman et al.	D14/42
D. 264,764	6/1982	Freijd	D99/28
D. 267,127	11/1982	Noel	D99/28
D. 268,062	2/1983	Chance	D99/28
D. 269,822	7/1983	Barthel	D99/28
D. 269,823	7/1983	Barthel	D99/28
D. 283,459	4/1986	Hall	D99/28
D. 283,746	5/1986	Kobayashi	D99/28
D. 283,937	5/1986	Prinzhorn	D99/28
D. 284,321	6/1986	Kobayashi	D99/28
D. 293,269	12/1987	Prinzhorn	D99/28
3,836,980	9/1974	Grosswiller, Jr. et al.	346/22
3,897,901	8/1975	Grosswiller, Jr. et al.	232/44
3,937,925	2/1976	Boothroyd	235/61.7 B
3,942,435	3/1976	Aultz et al.	101/44
3,943,335	3/1976	Kinker et al.	235/61.7 B

3,996,450	12/1976	Kerkhoff	235/61.7 B
4,085,687	4/1978	Beck et al.	109/24.1
4,176,610	12/1979	Markham et al.	232/44 X
4,312,277	1/1982	Graef et al.	109/24.1
4,423,316	12/1983	Sano et al.	235/379
4,466,357	8/1984	Masachika	232/44 X
4,628,192	12/1986	Suzuki	235/1 R
4,754,126	6/1988	Caldwell	235/379

OTHER PUBLICATIONS

Hamilton Safe Night Depository Model 80 U.C. publi-
cation (DE-001 ML-0182-0).

NCR ATM Systems 5085 Thru the Wall ATM Installa-
tion Guidelines publication, ©1985.

Primary Examiner—Winifred E. Herrmann

Assistant Examiner—John Warchol

[57] **CLAIM**

The ornamental design for a night depository for use
with an automated teller machine or similar article, as
shown and described.

DESCRIPTION

FIG. 1 is a front elevational view of a night depository
for use with an automated teller machine or similar
article showing our new design;

FIG. 2 is a rear elevational view thereof;

FIG. 3 is a left side elevational view thereof;

FIG. 4 is a right side elevational view thereof;

FIG. 5 is a top plan view thereof;

FIG. 6 is a top, front and right side perspective view
thereof; and

FIG. 7 is a top, front and right side perspective view
similar to FIG. 6 wherein the broken line showing of an
automated teller machine is illustrative of environmen-
tal structure only and forms no part of the claimed
design.

The bottom of the claimed design is flat and unorna-
mented.

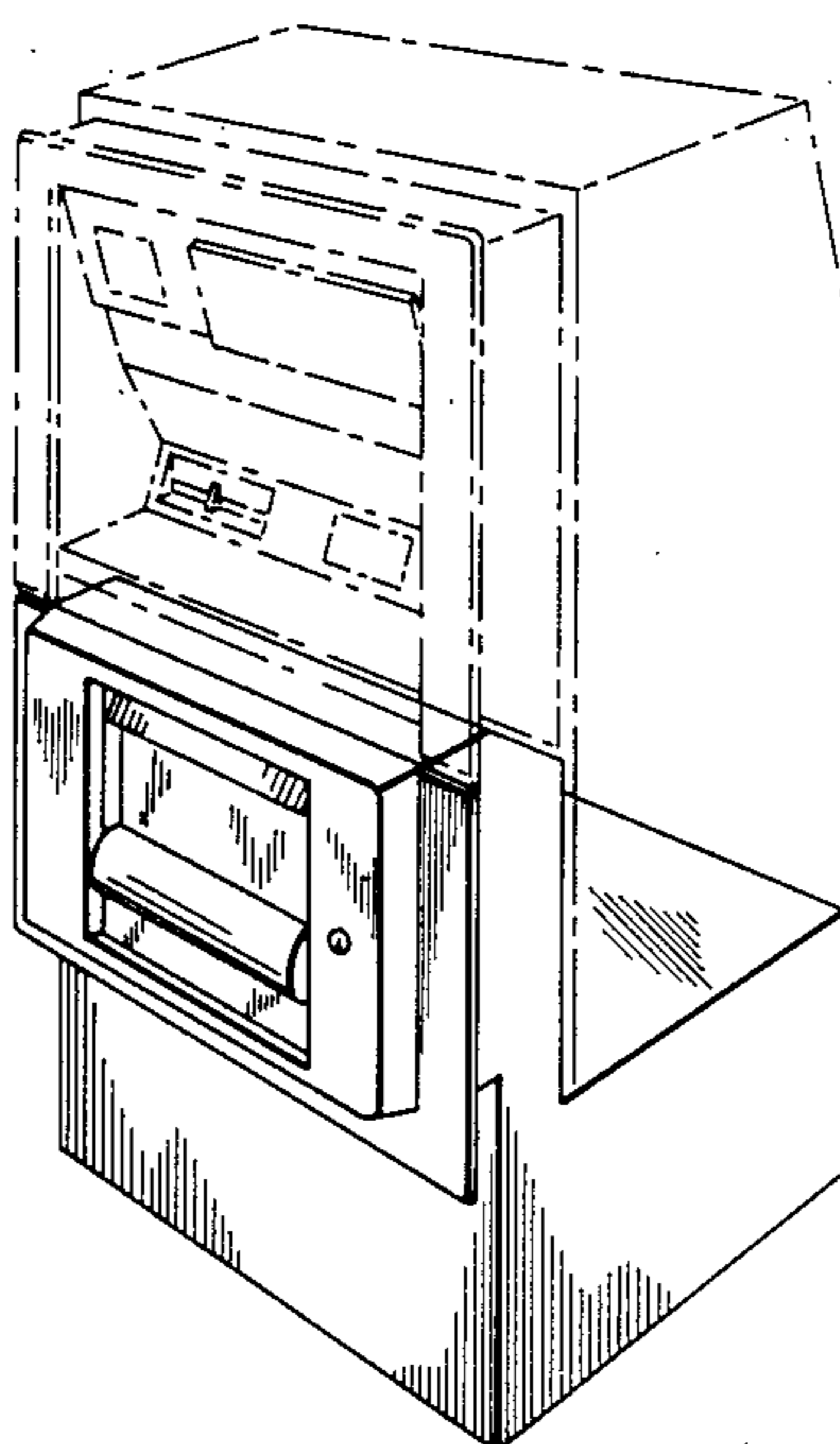


FIG. 1

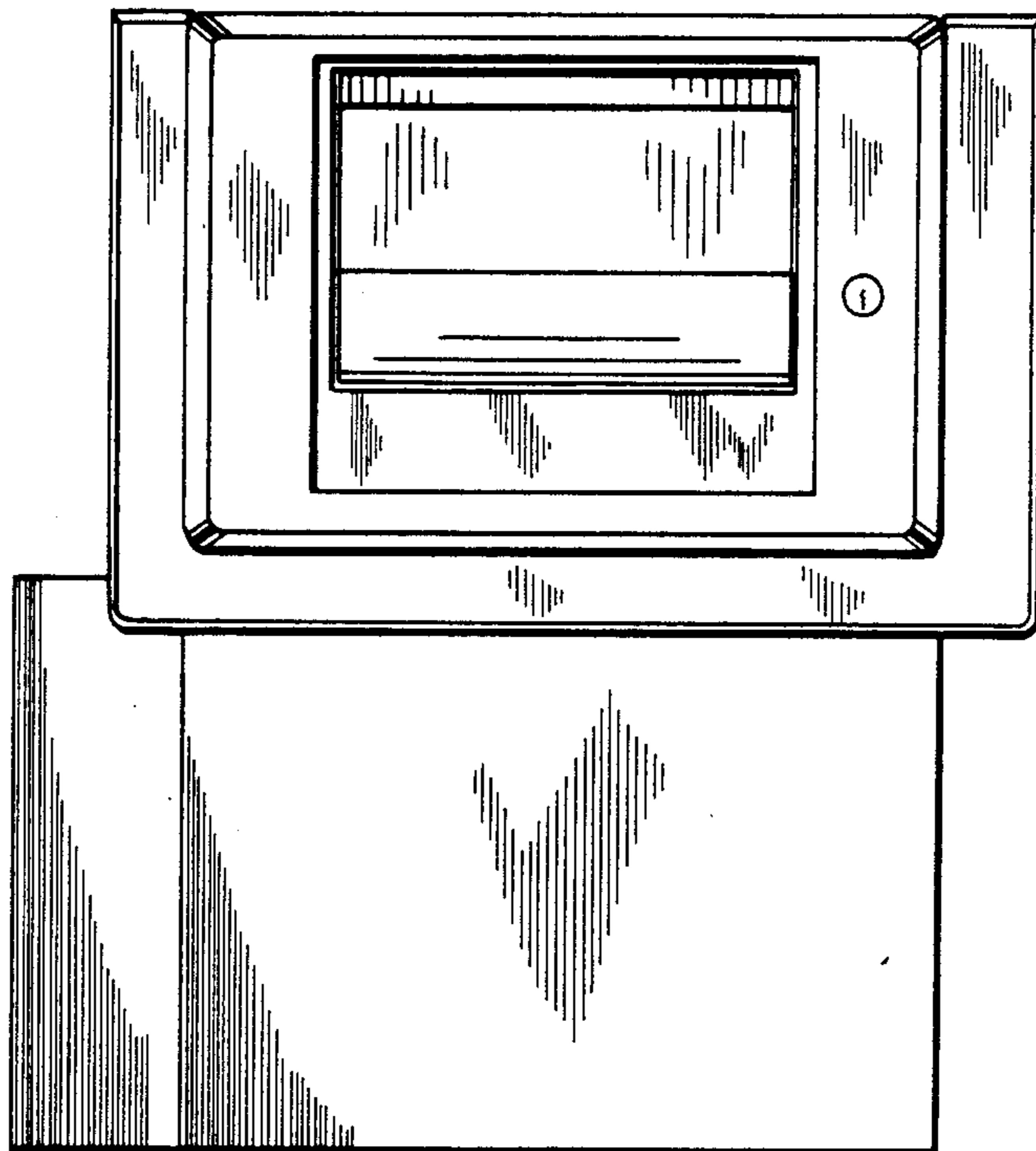


FIG. 2

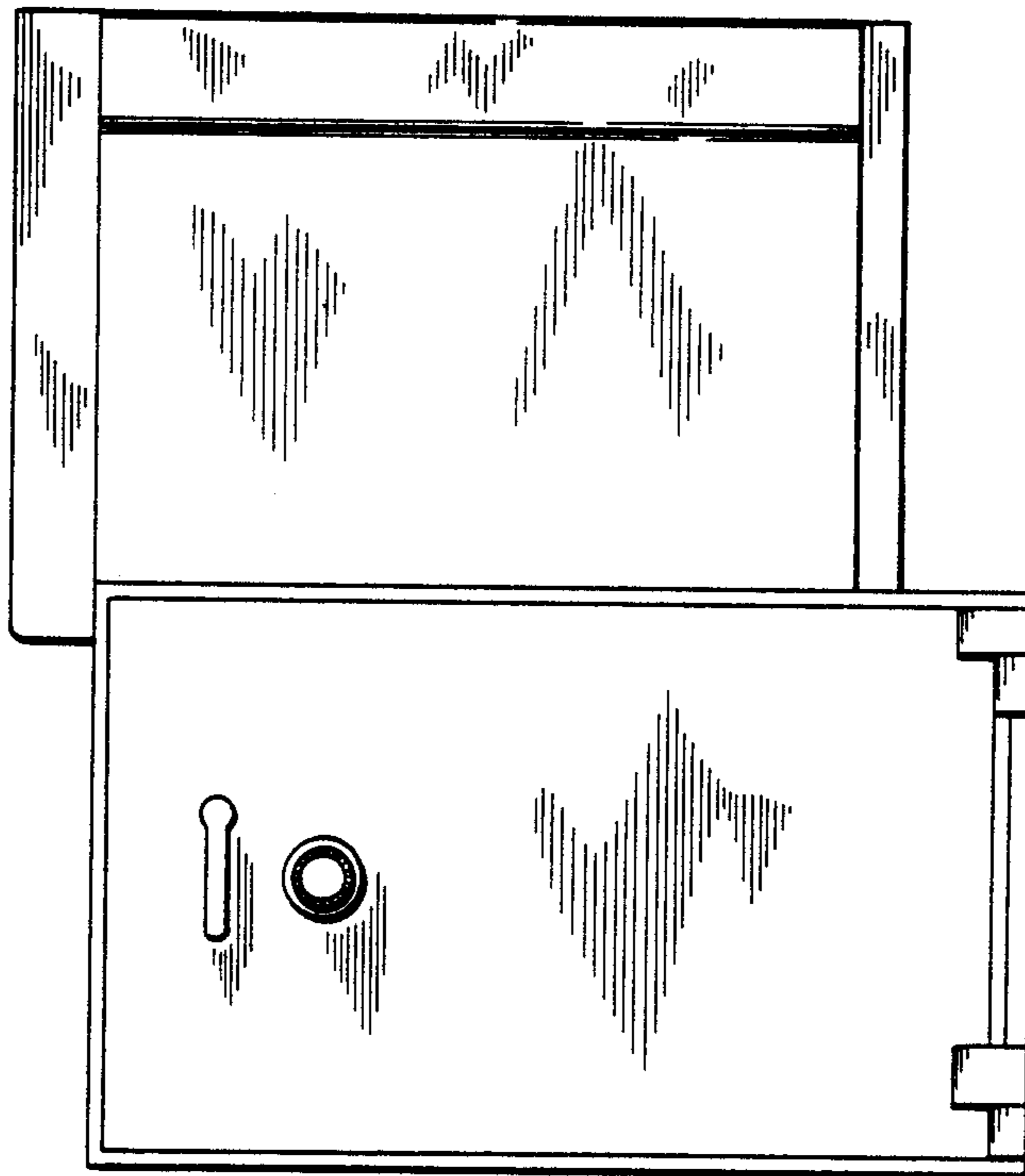


FIG. 3

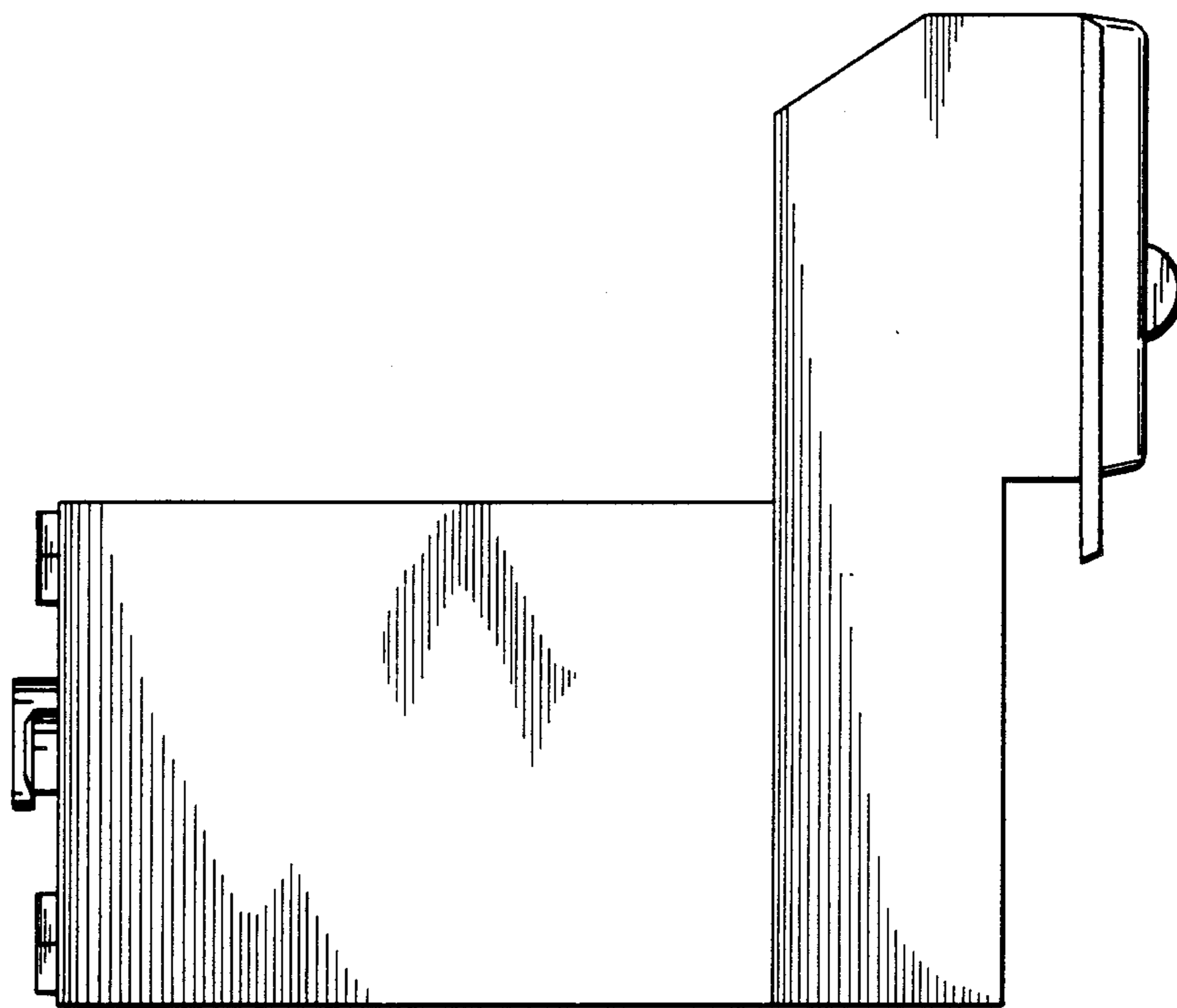


FIG. 4

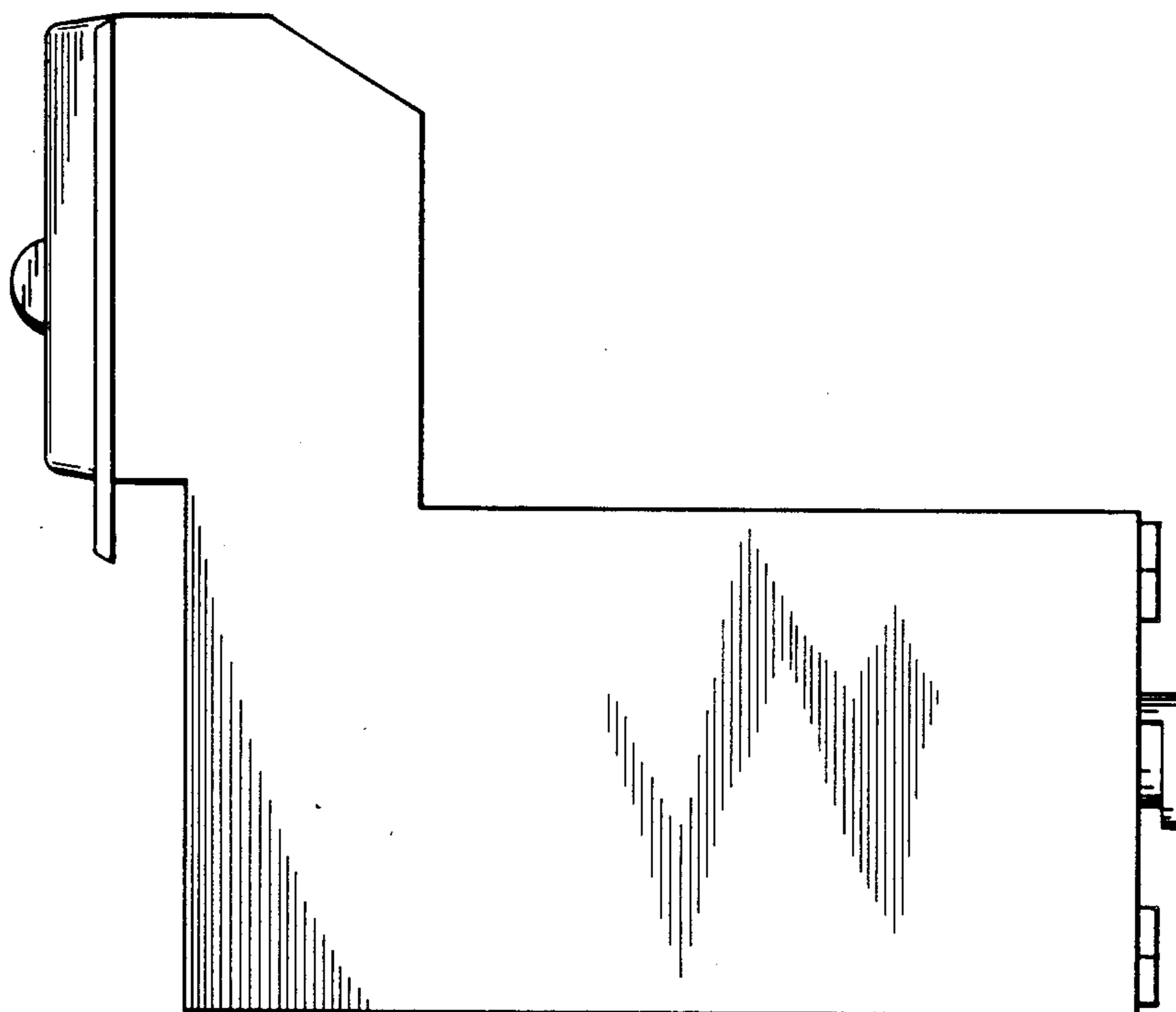


FIG. 5

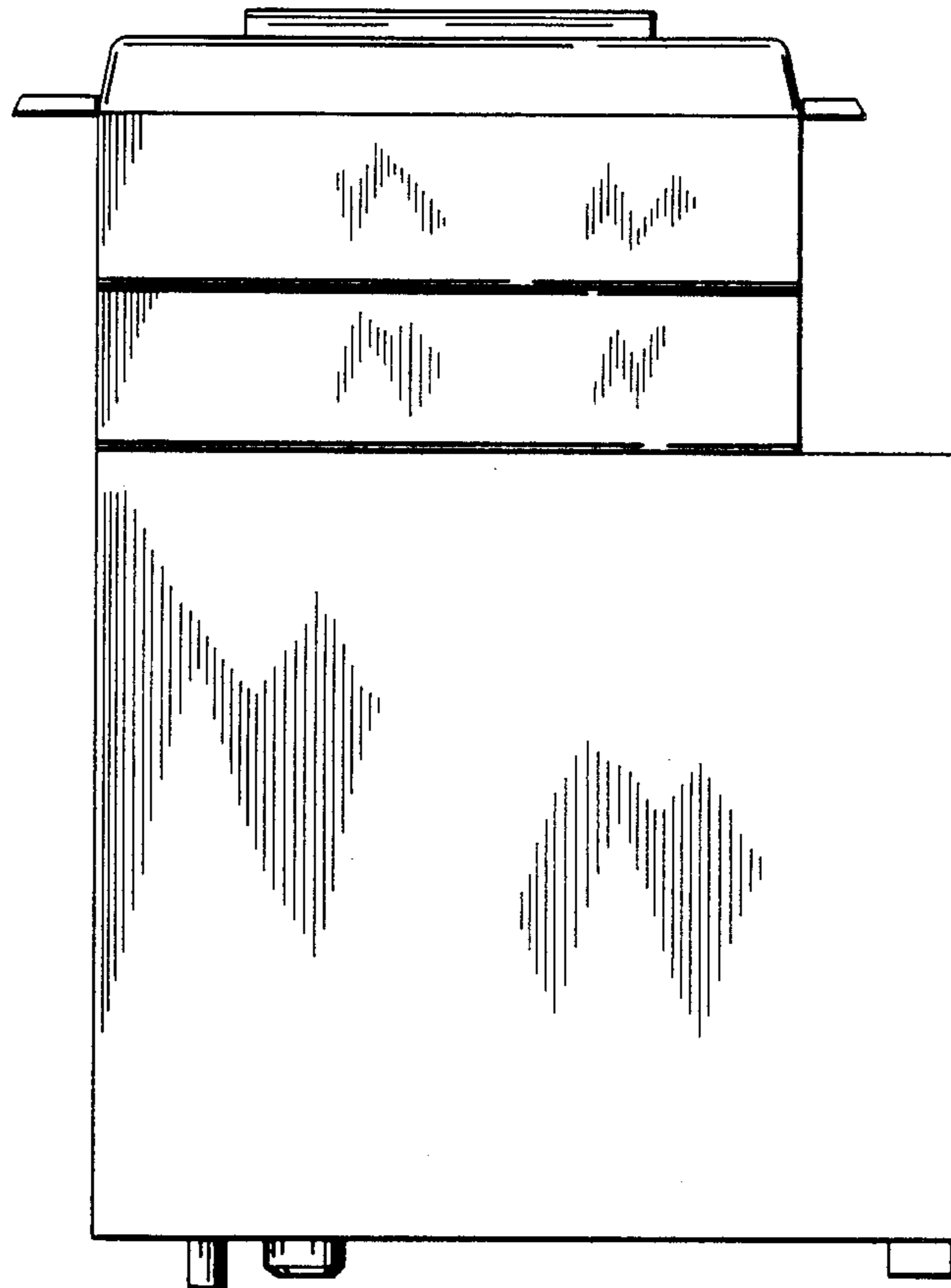


FIG. 6

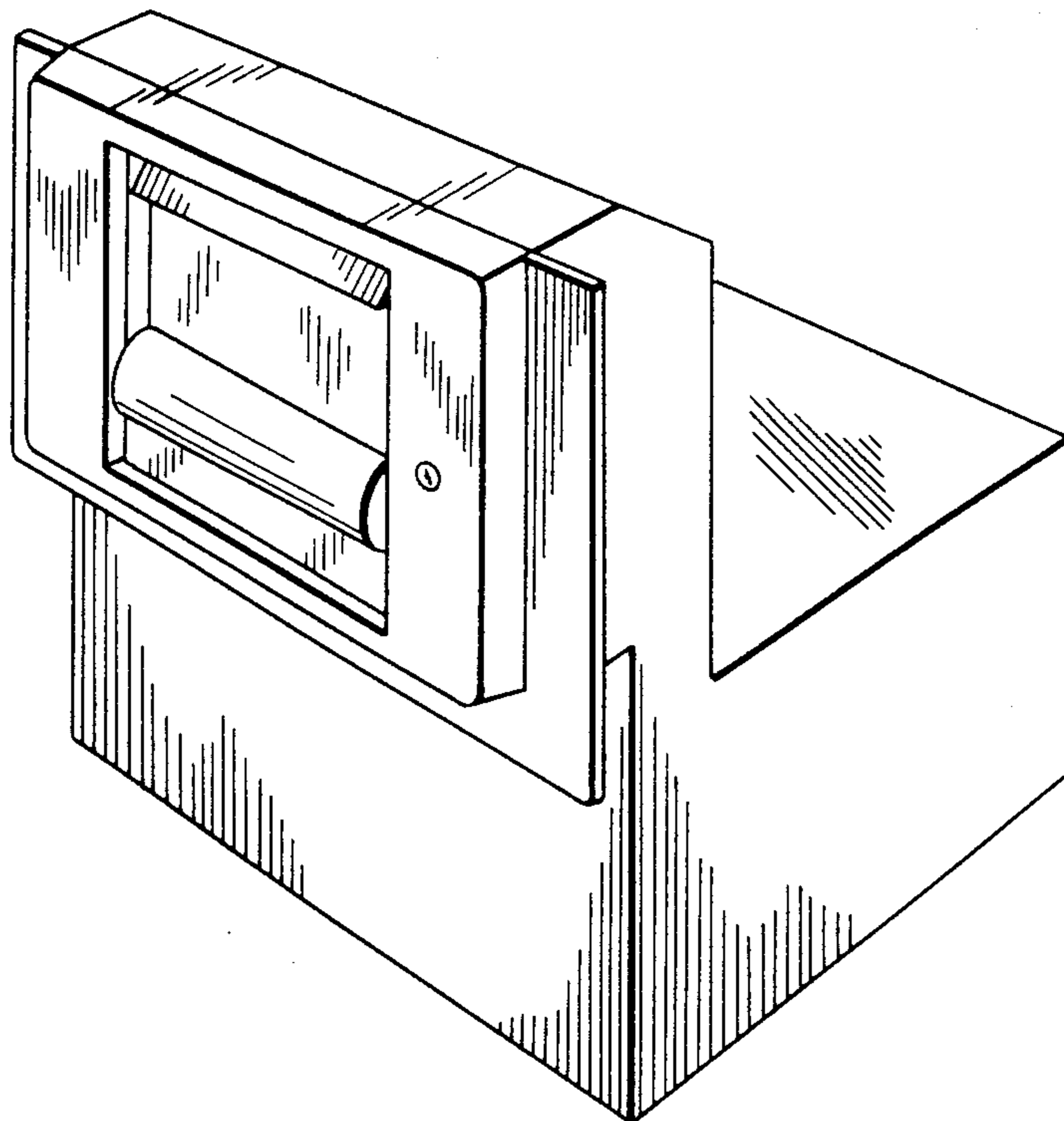
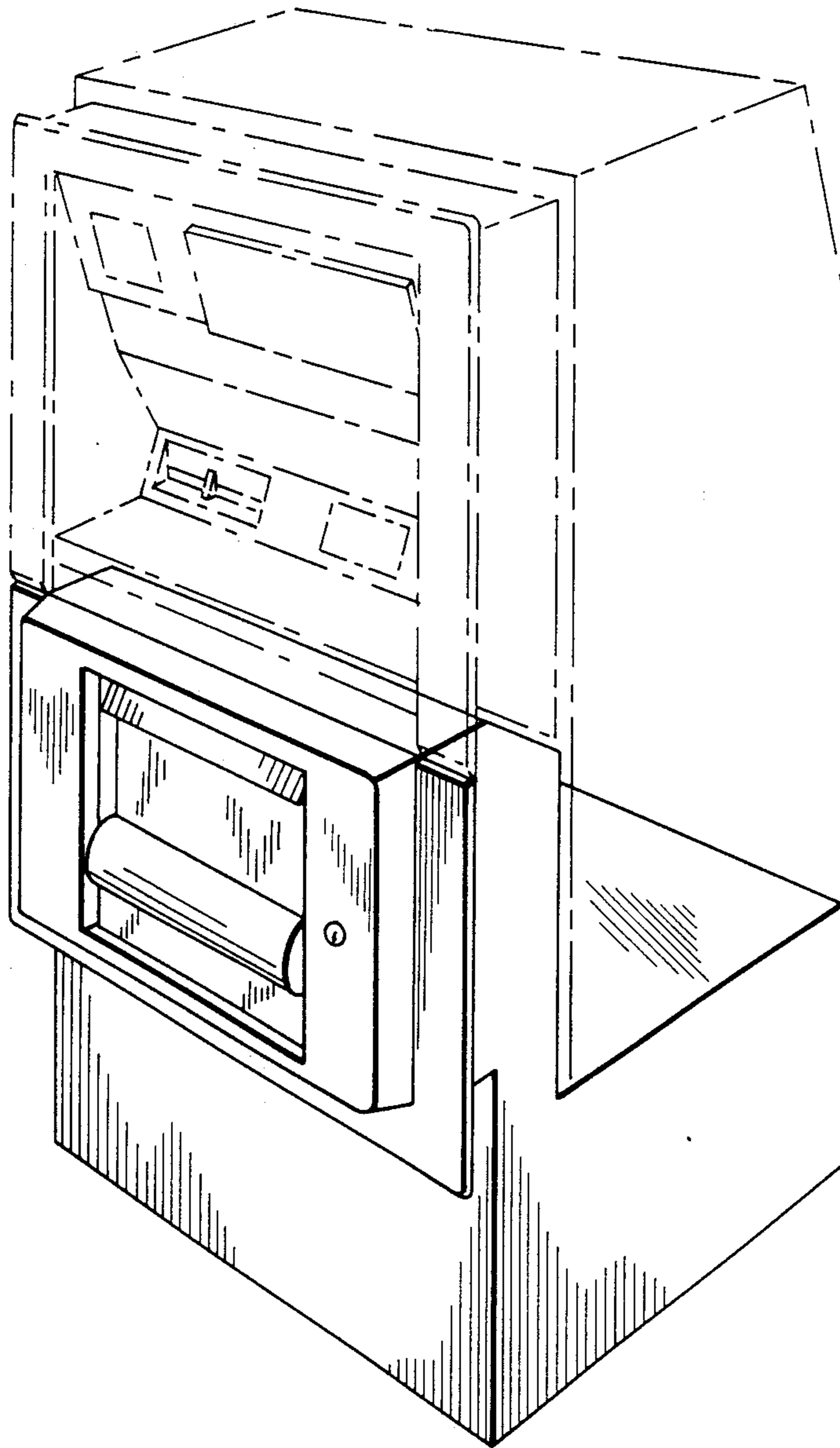


FIG. 7



UNITED STATES PATENT AND TRADEMARK OFFICE
CERTIFICATE OF CORRECTION

PATENT NO. : Des. 314,076
DATED : January 22, 1991
INVENTOR(S) : Alex M. Tarkany et al.

It is certified that error appears in the above-identified patent and that said Letters Patent is hereby corrected as shown below:

On the title page:

Include as inventor for [75] Melvin L. Walter,
513 Audubon Village Spur, Grover, MO 63040.

**Signed and Sealed this
Fifth Day of January, 1993**

Attest:

Attesting Officer

DOUGLAS B. COMER

Acting Commissioner of Patents and Trademarks

UNITED STATES PATENT AND TRADEMARK OFFICE
CERTIFICATE OF CORRECTION

PATENT NO. : Des. 314,076
DATED : January 22, 1991
INVENTOR(S) : Alex M. Tarkany et al.

It is certified that error appears in the above-identified patent and that said Letters Patent is hereby corrected as shown below:

On the title page

Add: [73] Assignee: NCR Corporation, Dayton, Ohio.

Add: Attorney, Agent, Or Firm--Wilbert Hawk, Jr.,
Albert L. Sessler, Jr.

Signed and Sealed this
Twenty-third Day of November, 1993

Attest:



BRUCE LEHMAN

Attesting Officer

Commissioner of Patents and Trademarks