

[54] **COMBINED ELECTRIC IRON SUPPORT
AND STEAM GENERATOR**

[75] **Inventor: Jean-Louis Barrault,
Boulogne-Billancourt, France**

[73] **Assignee: Moulinex S.A., Bagnolet, France**

[**] **Term: 14 Years**

[21] **Appl. No.: 380,714**

[22] **Filed: Jul. 12, 1989**

[30] **Foreign Application Priority Data**

Jan. 12, 1989 [FR] France 89 0230

[52] **U.S. Cl. D32/73**

[58] **Field of Search D32/68, 71, 73, 1;
38/75, 77.1-77.9, 79, 96, 141-142;
248/117.1-117.7**

[56] **References Cited**

U.S. PATENT DOCUMENTS

D. 292,537 10/1987 Alfredo D32/73

D. 303,442 9/1989 Harrison D32/1

4,565,019 1/1986 Cavalli 38/77.6

FOREIGN PATENT DOCUMENTS

0212383 3/1987 European Pat. Off. 38/77.3

OTHER PUBLICATIONS

Housewares, 10/88, steam station irons, p. 23.

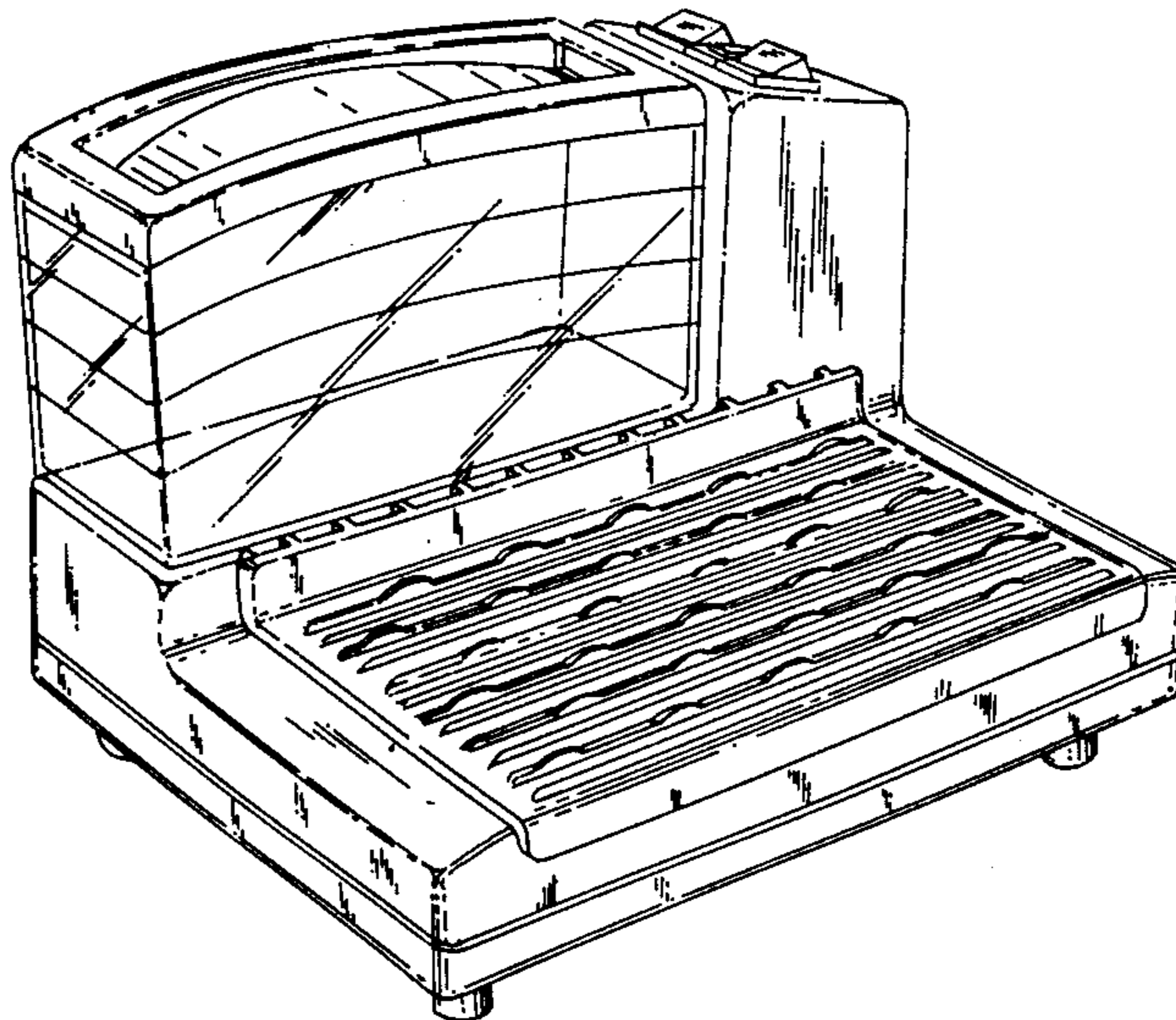
Primary Examiner—Wallace R. Burke
Assistant Examiner—Lavone D. Tabor
Attorney, Agent, or Firm—Young & Thompson

[57] **CLAIM**

The ornamental design for a combined electric iron support and steam generator, as shown.

DESCRIPTION

FIG. 1 is a top, front and side perspective view of a combined electronic iron support and steam generator, showing my new design;
FIG. 2 is a front elevational view thereof;
FIG. 3 is a rear elevational view thereof;
FIG. 4 is a side elevational view thereof as seen from the right of FIG. 2;
FIG. 5 is a side elevational view thereof as seen from the left of FIG. 2;
FIG. 6 is a top plan view thereof; and
FIG. 7 is a bottom plan view thereof.



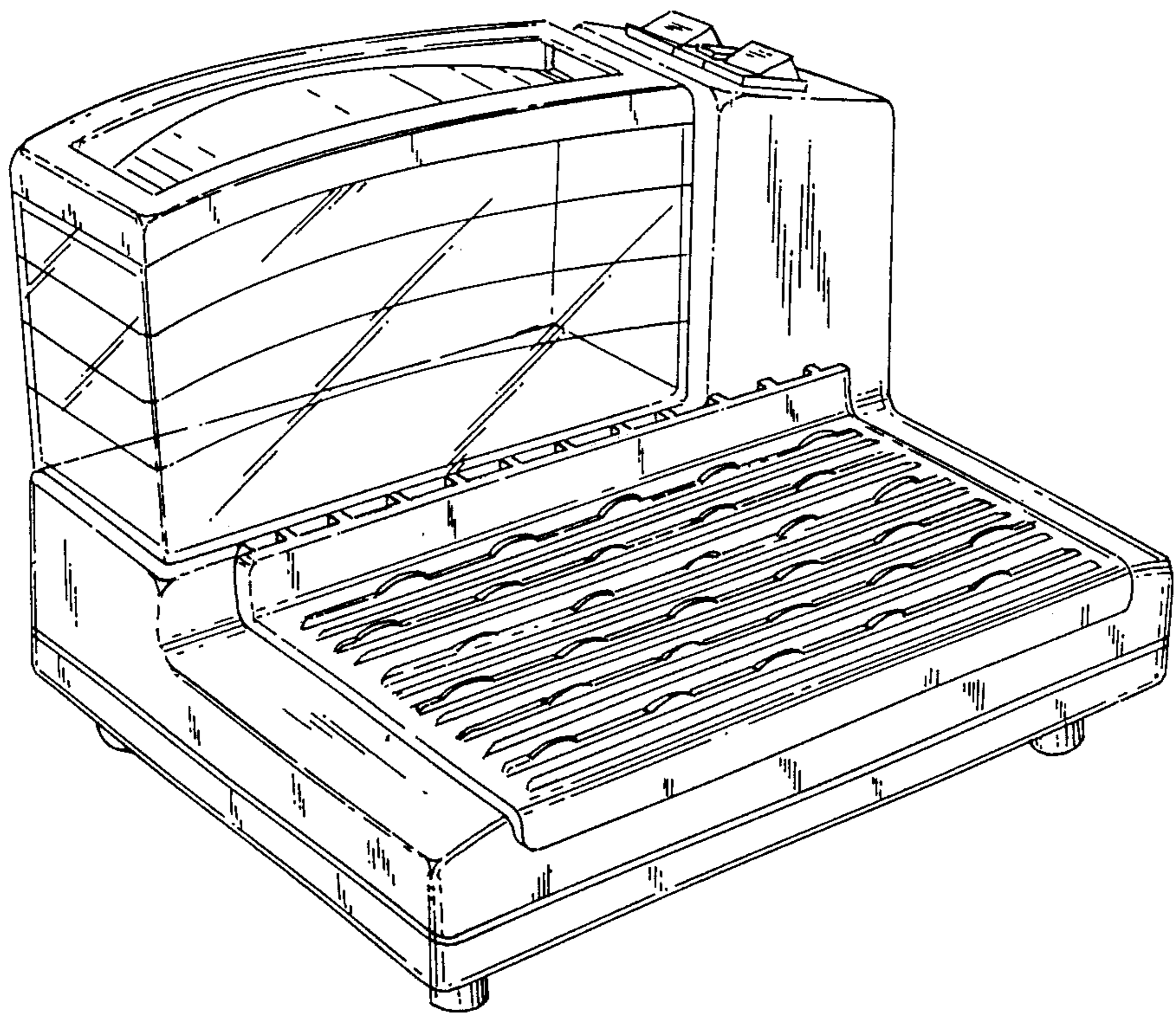


FIG. 1

FIG. 2

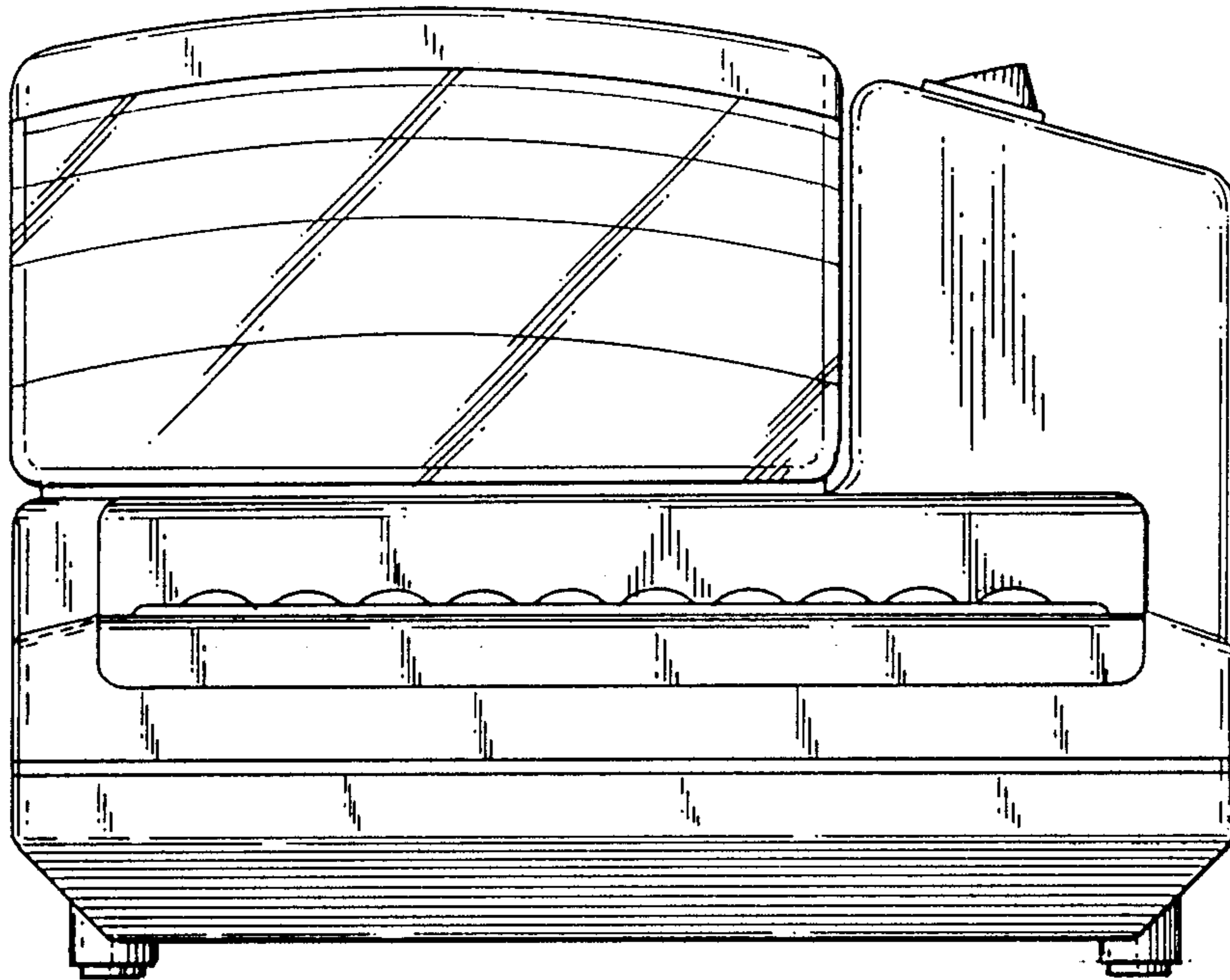


FIG. 3

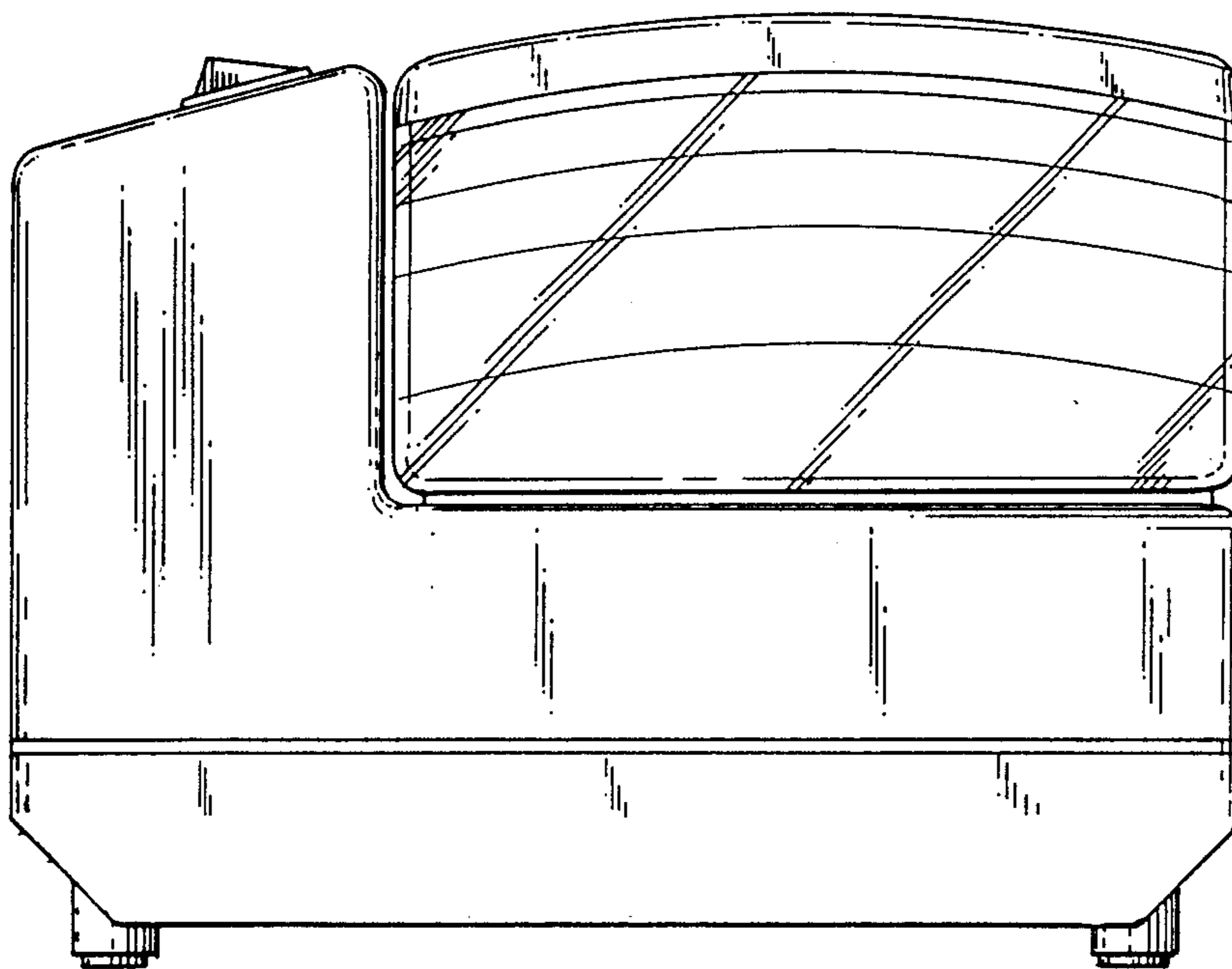


FIG. 4

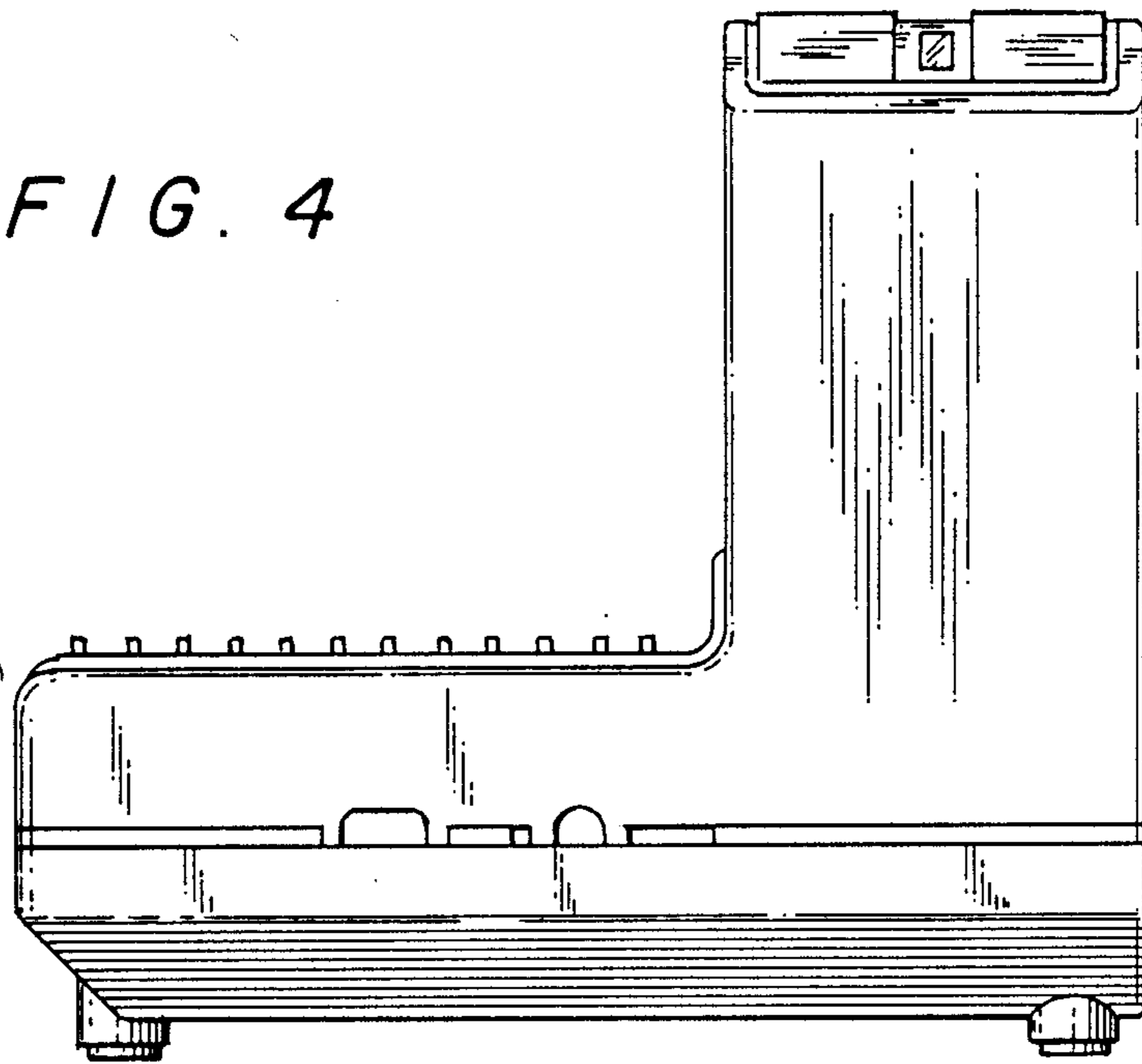
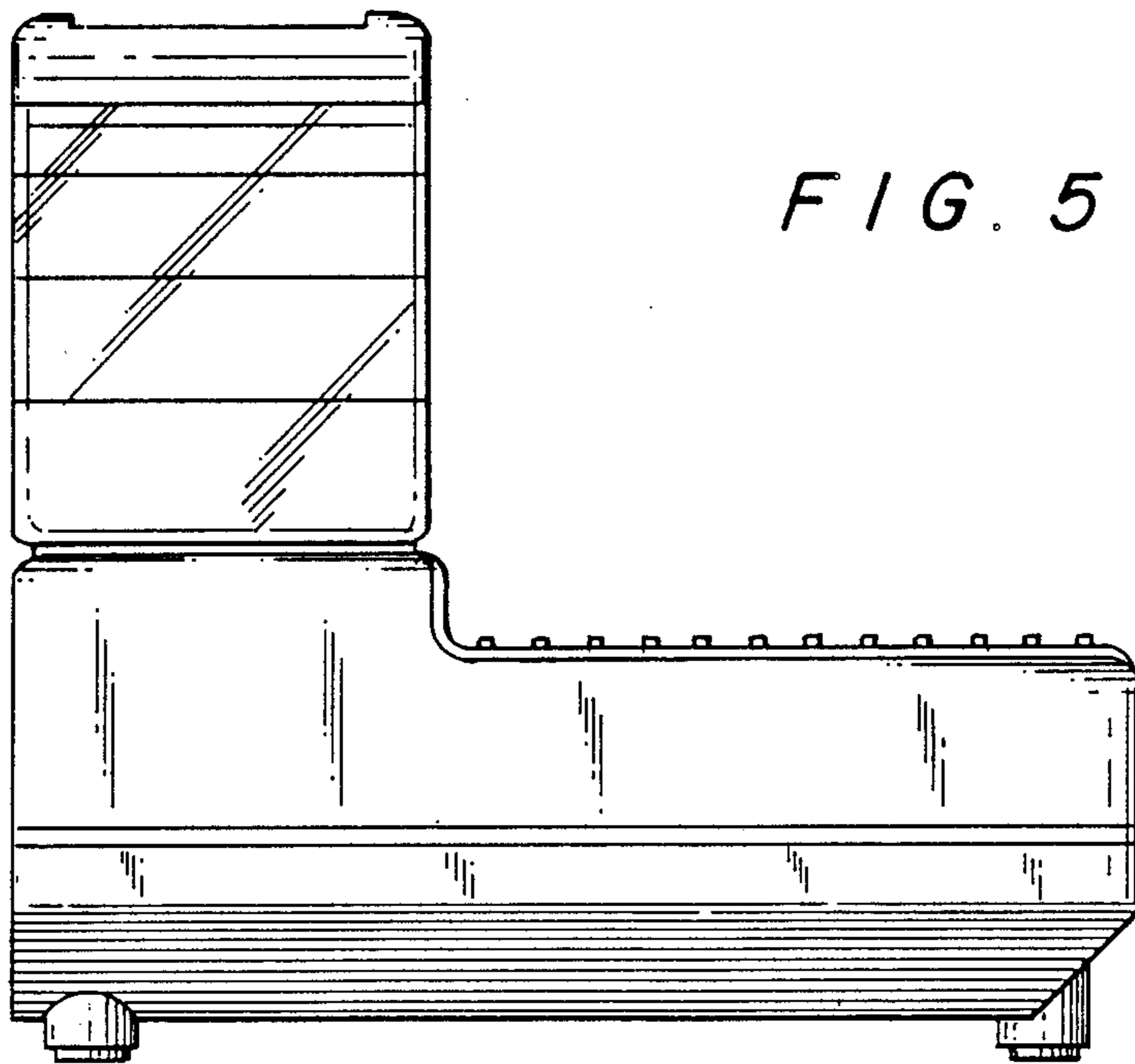


FIG. 5



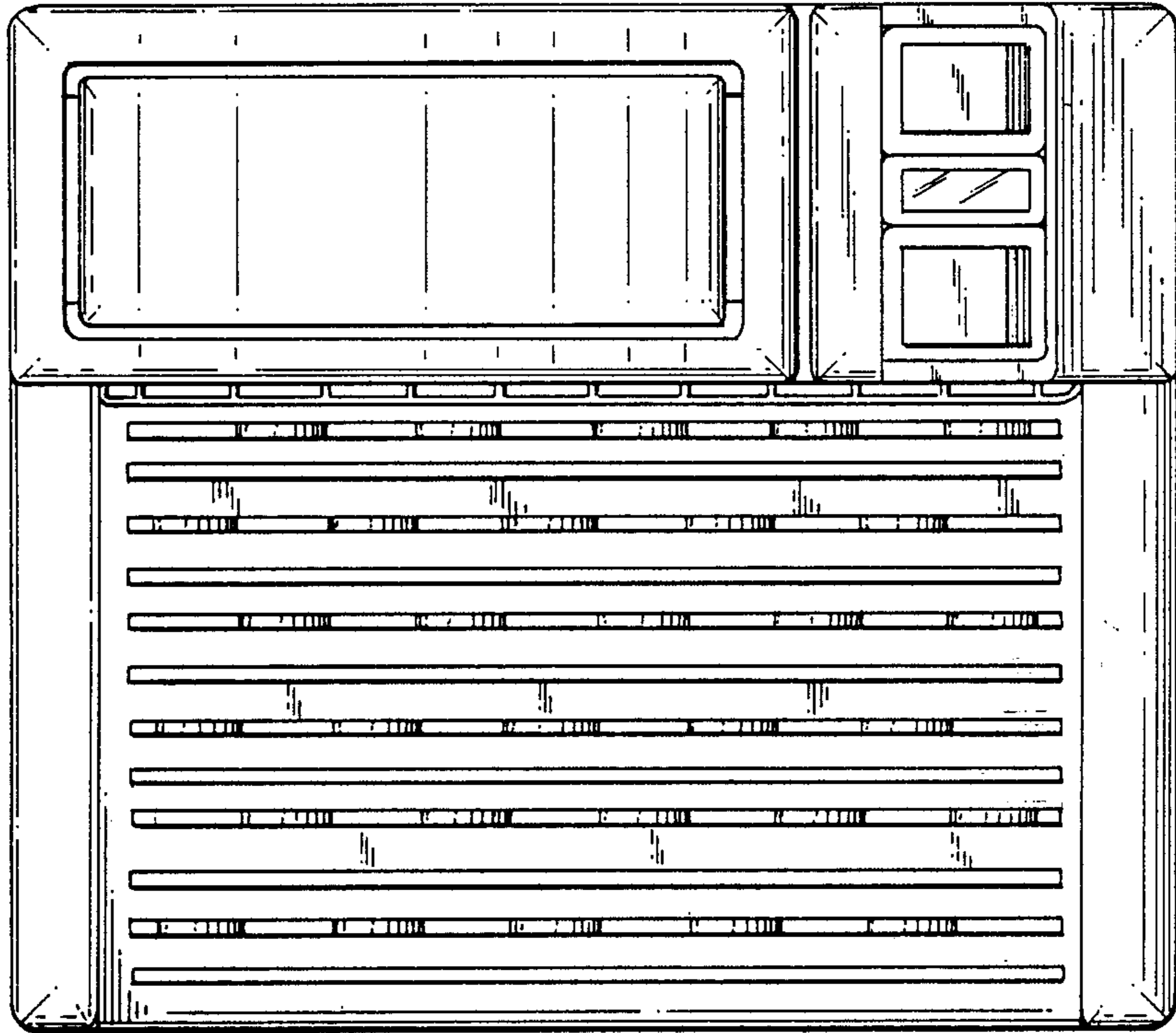


FIG. 6

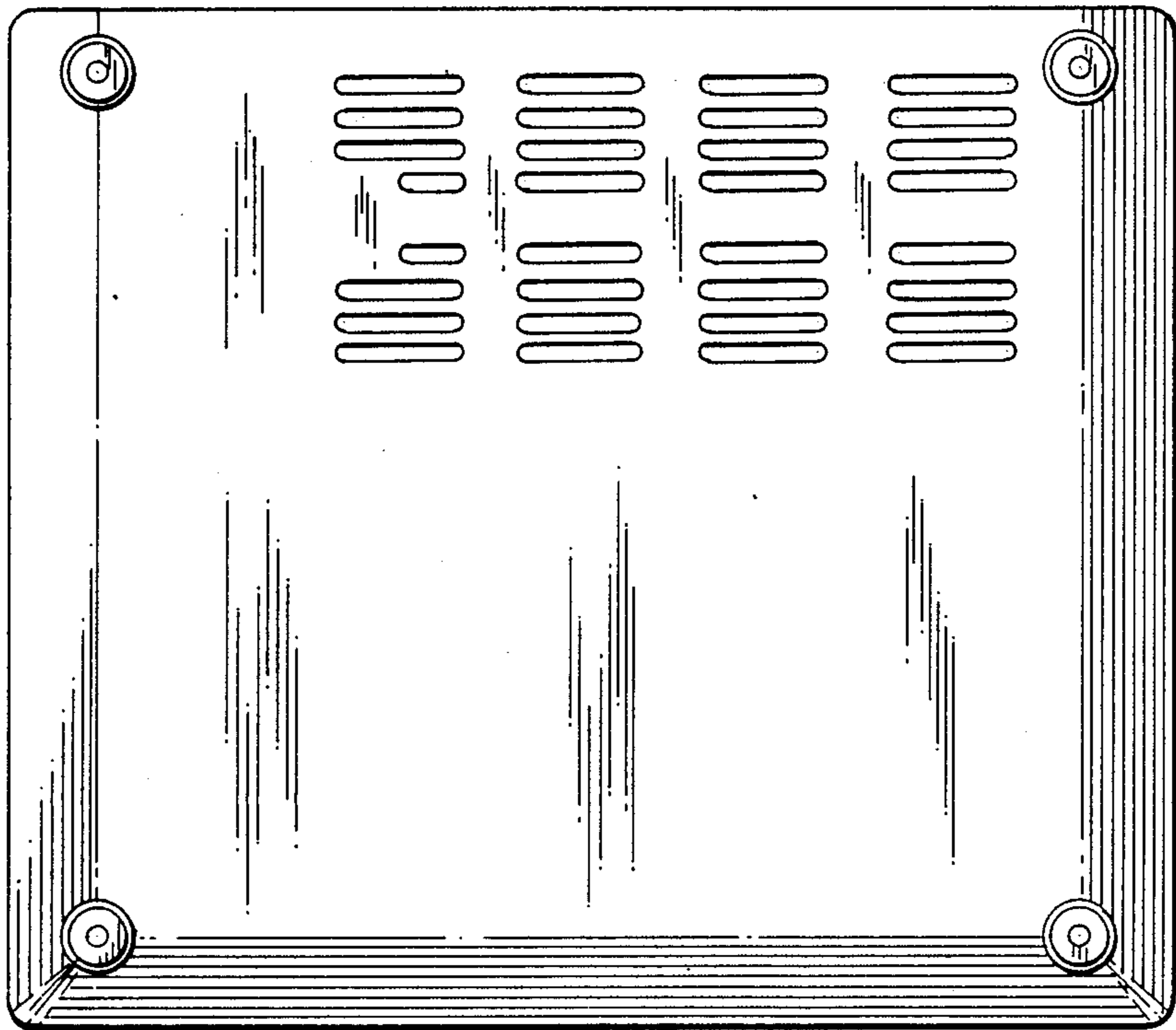


FIG. 7