

[54] **ORGANIZER FOR HAIR CURLERS**

[76] **Inventor: Delores Ward, 19303 Fielding, Detroit, Mich. 48209**

[**] **Term: 14 Years**

[21] **Appl. No.: 324,342**

[22] **Filed: Mar. 16, 1989**

[52] **U.S. Cl. D28/38**

[58] **Field of Search D28/38, 61, 73; D3/39; D6/396, 462-469; 211/13, 70.1; 219/242**

[56] **References Cited**

U.S. PATENT DOCUMENTS

- D. 27,690 9/1897 Waite D6/534
- D. 193,876 10/1962 DiDomenico D28/38 X
- D. 216,605 2/1970 Brindley D6/467

- D. 246,726 12/1977 Fox D24/31
- D. 257,090 9/1980 King, Jr. D6/571

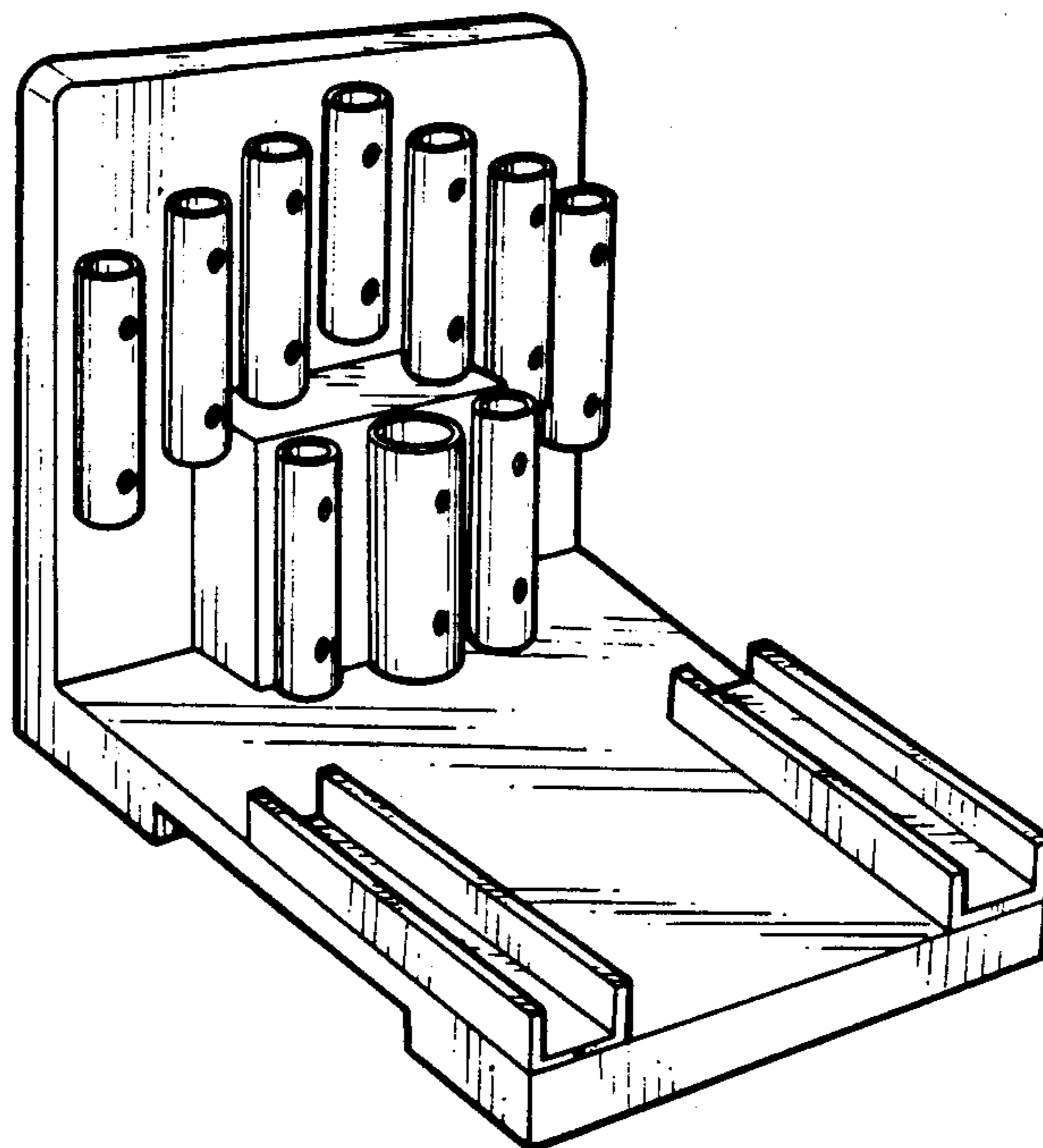
Primary Examiner—Bernard Ansher
Assistant Examiner—C. Tuttle
Attorney, Agent, or Firm—Dykema Gossett

[57] **CLAIM**

The ornamental design for an organizer for hair curlers, as shown and described.

DESCRIPTION

FIG. 1 is a top, front perspective view of an organizer for hair curlers showing my new design; FIG. 2 is a side elevational view thereof, the side opposite being a mirror image of the side shown; and FIG. 3 is a rear elevational view thereof. The opposite side of FIG. 1, not shown, is the same as and symmetrical to FIG. 2.



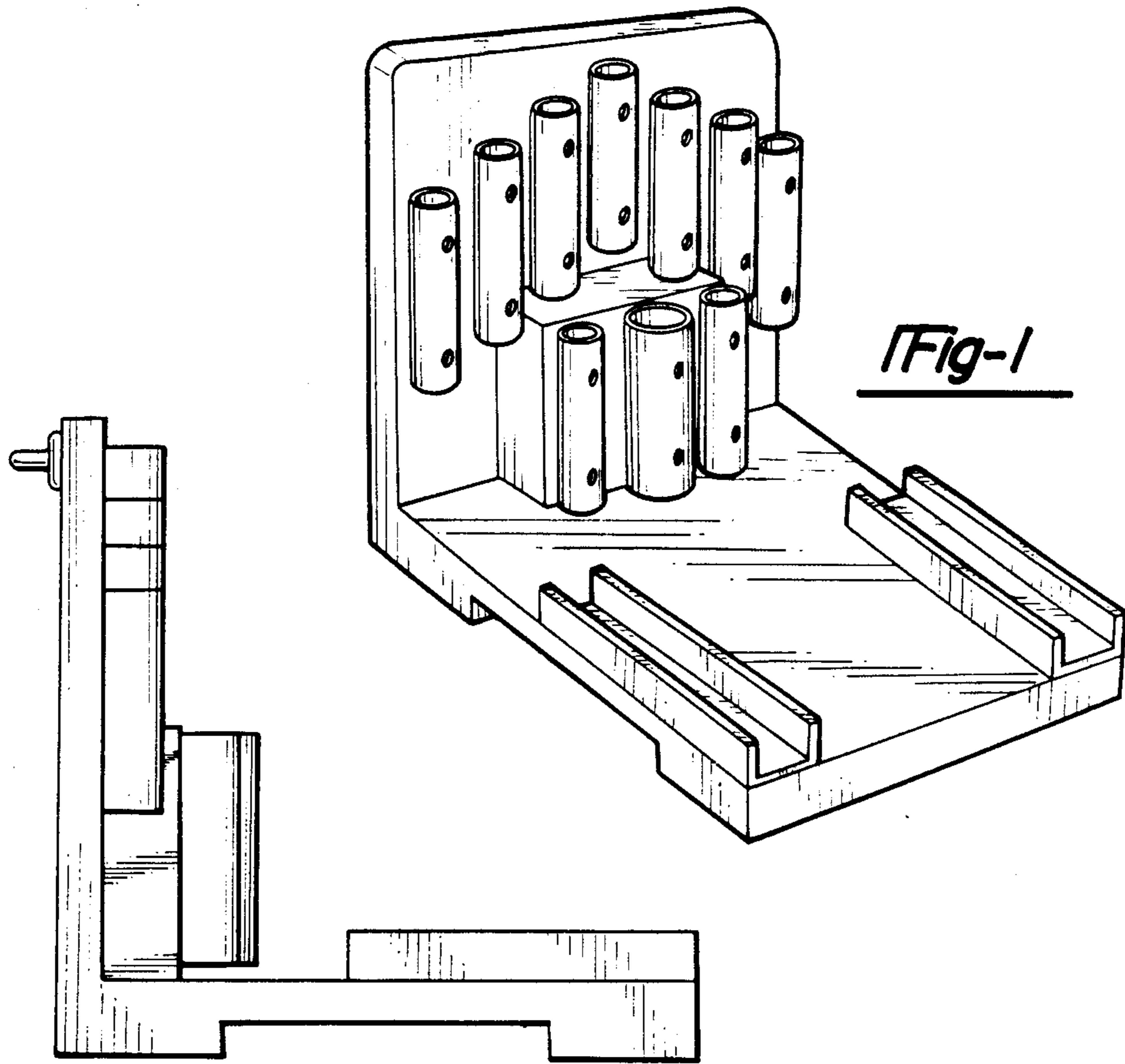


Fig-2

