

[54] **COSMETIC CASE**

[75] **Inventor: Karena Bakic, Varese, Italy**

[73] **Assignee: Cosmede Anstalt, Vaduz, Liechtenstein**

[**] **Term: 14 Years**

[21] **Appl. No.: 424,940**

[22] **Filed: Oct. 23, 1989**

Related U.S. Application Data

[62] **Division of Ser. No. 128,473, Dec. 3, 1987.**

[30] **Foreign Application Priority Data**

Jun. 16, 1987 [DE] **Fed. Rep. of Germany** URA838/87

[52] **U.S. Cl.** **D28/77**

[58] **Field of Search** **D28/73-84; 132/293-336; 220/DIG. 26; 206/235, 383, 581, 823; D9/414, 420, 430**

[56] **References Cited**

U.S. PATENT DOCUMENTS

D. 264,510 5/1982 Boyd D28/78
D. 269,323 6/1983 Cillario D9/424
1,612,409 12/1926 Anderson 132/295

FOREIGN PATENT DOCUMENTS

657108 5/1929 France 132/304

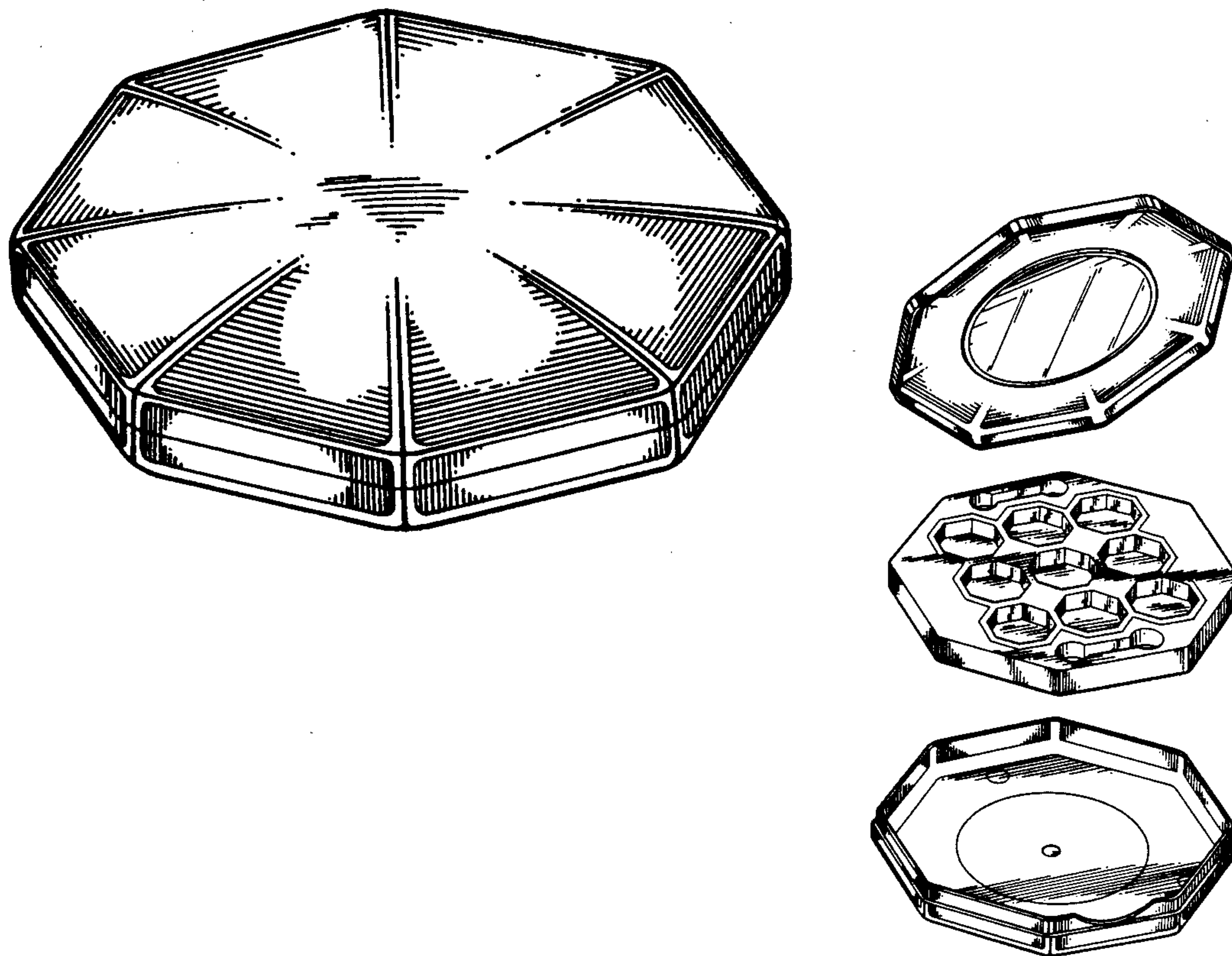
Primary Examiner—Bernard Ansher
Assistant Examiner—C. Tuttle
Attorney, Agent, or Firm—Kenyon & Kenyon

[57] **CLAIM**

The ornamental design for cosmetic case, as shown and described.

DESCRIPTION

FIG. 1 is a top perspective view of a cosmetic case showing my new design;
FIG. 2 is an exploded perspective view thereof;
FIG. 3 is a side elevational view thereof; the undisclosed portions are identical to the side shown;
FIG. 4 is a bottom perspective view thereof;
FIG. 5 is a top plan view thereof;
FIG. 6 is a bottom plan view thereof.



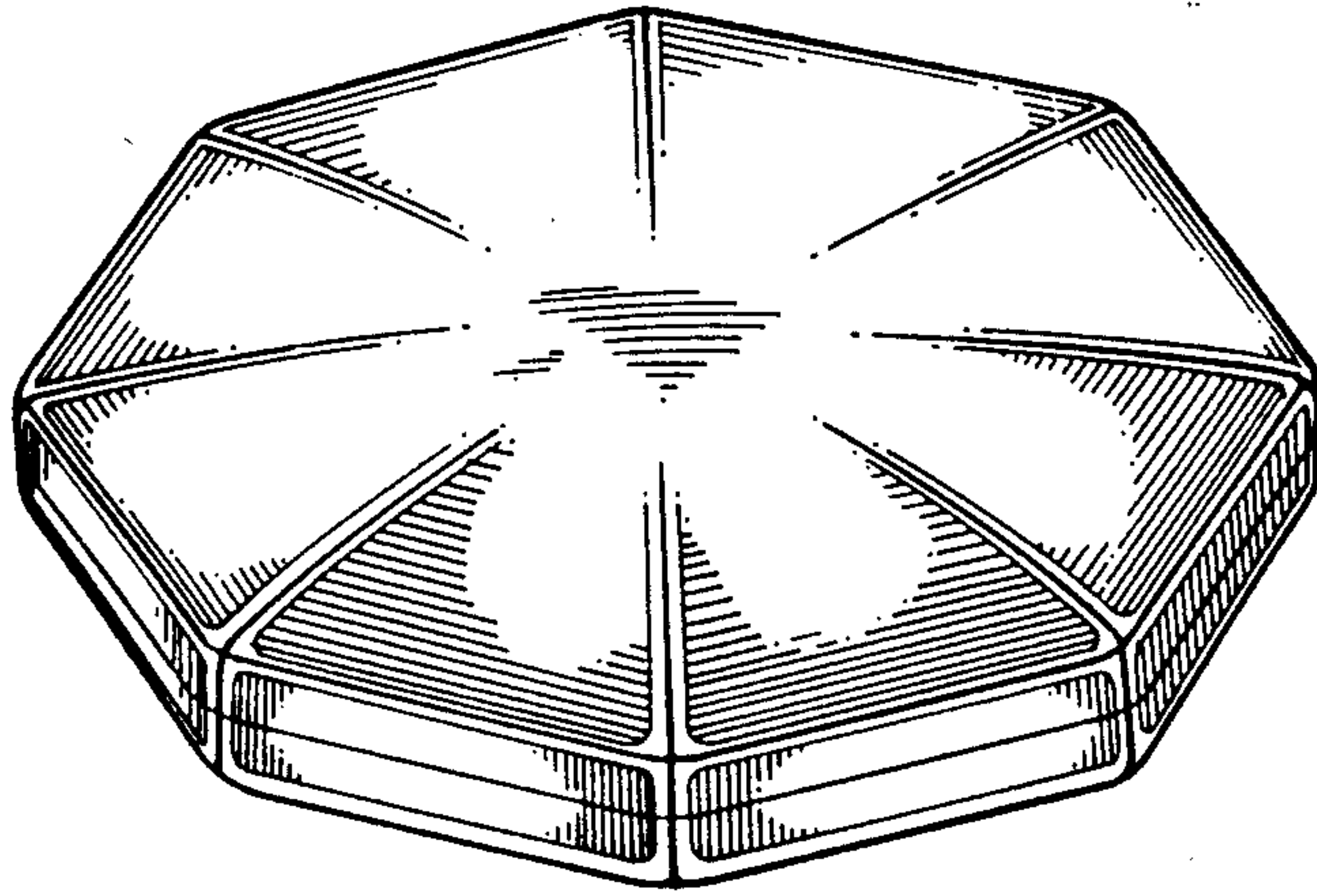


FIG. 1

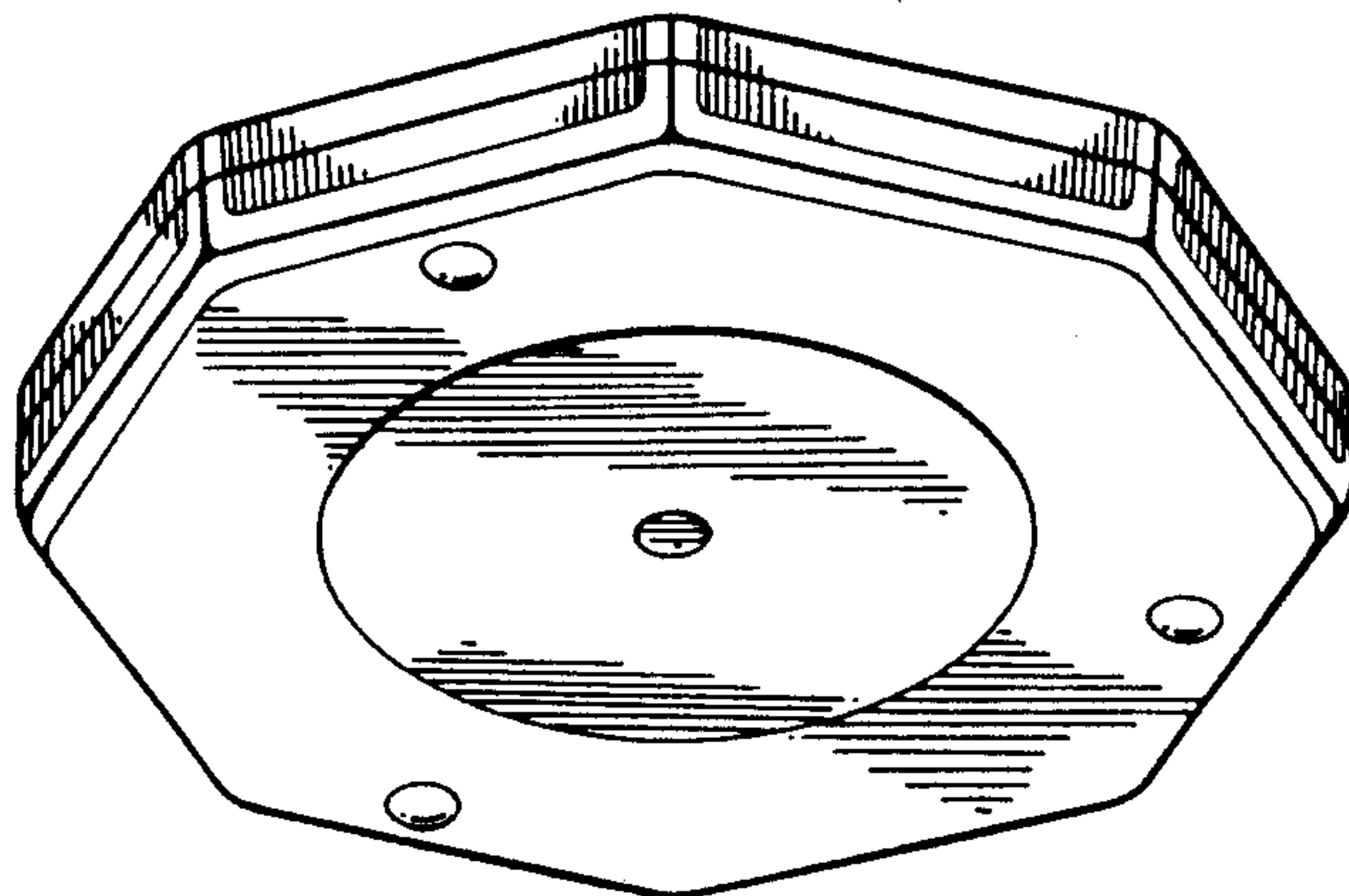


FIG. 4

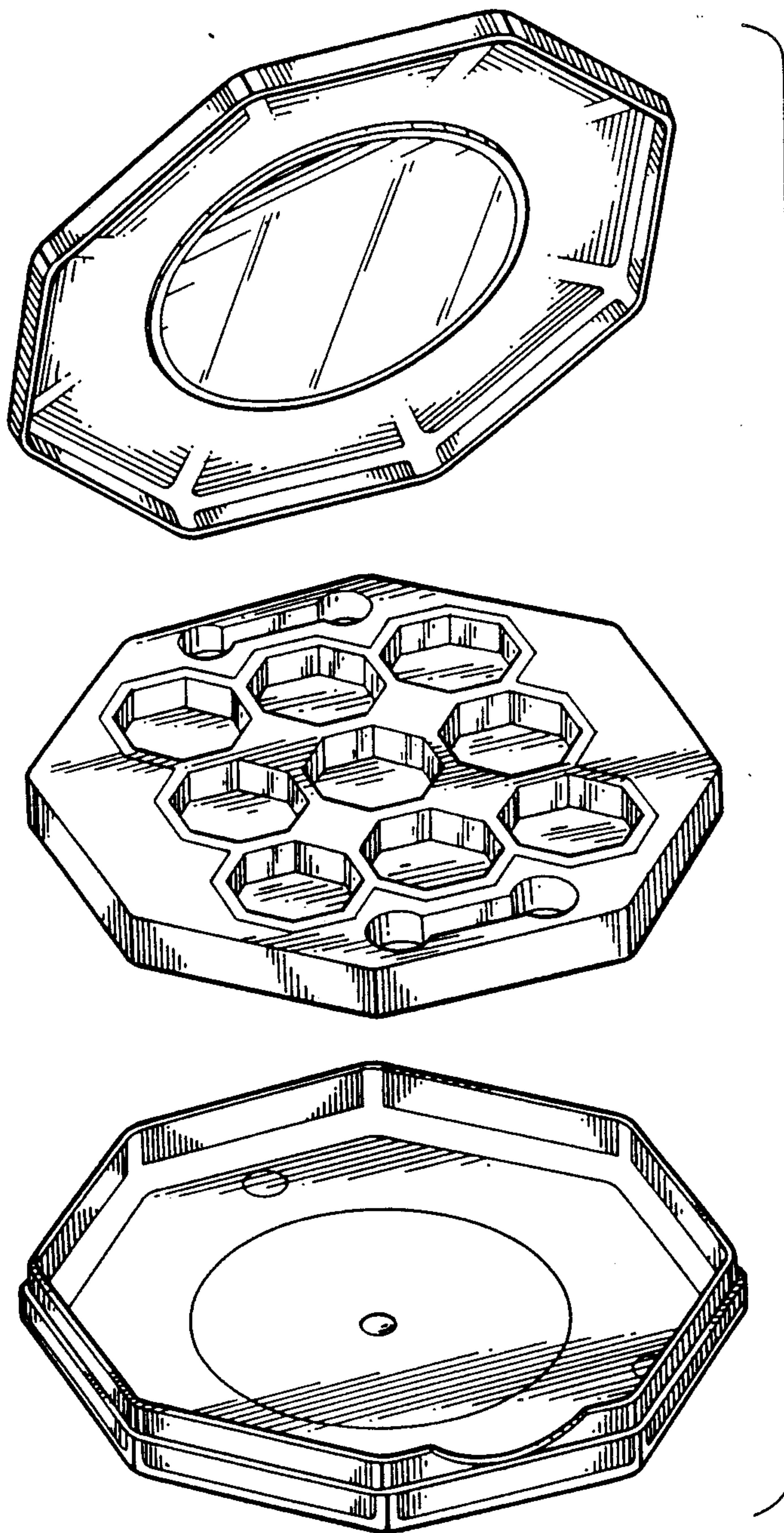


FIG. 2

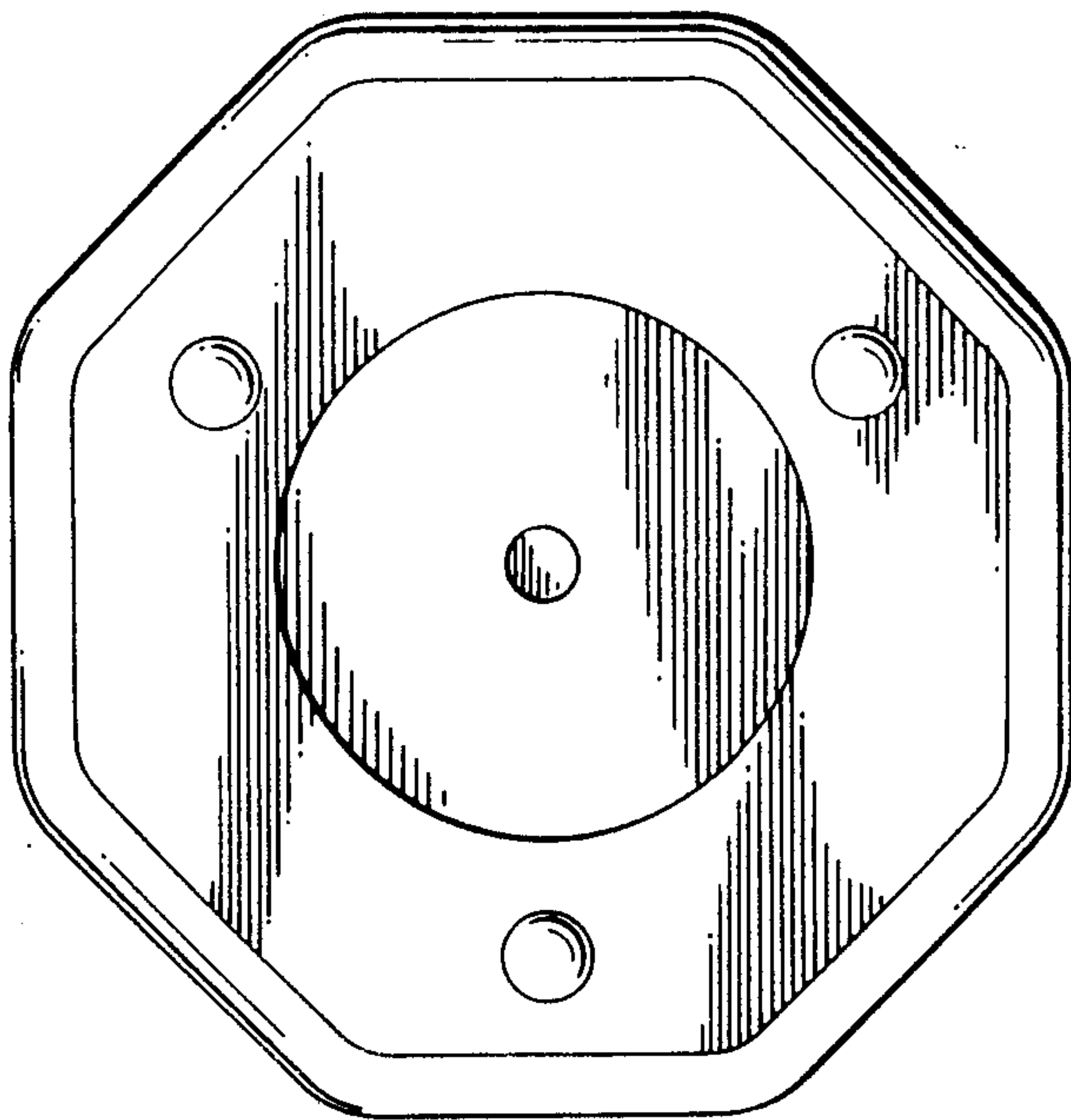


FIG. 6



FIG. 3

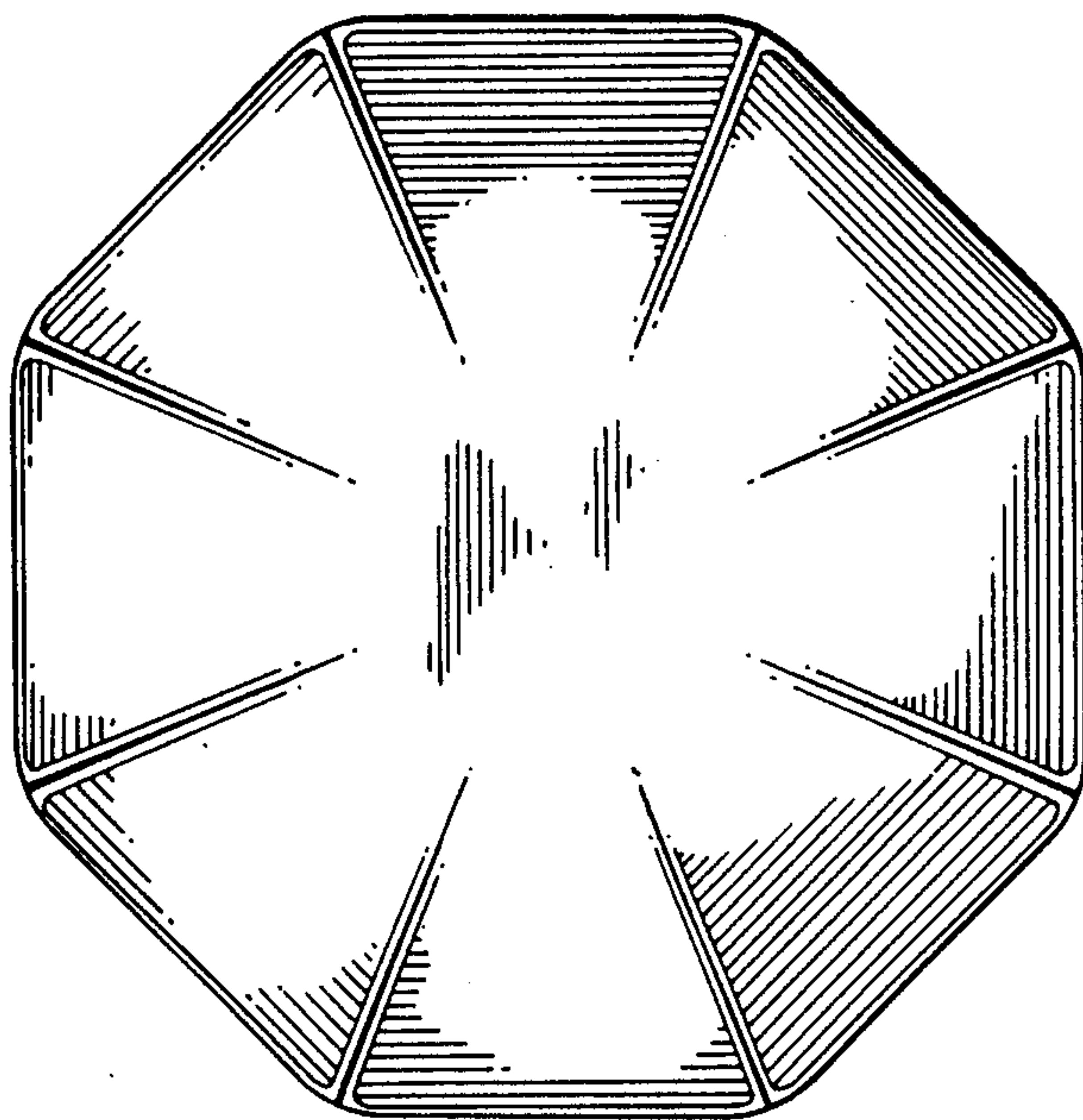


FIG. 5