

[54] **CEILING LIGHT**

[75] **Inventor: Ernesto Gismondi, Milan, Italy**

[73] **Assignee: Artemide S.p.A., Italy**

[**] **Term: 14 Years**

[21] **Appl. No.: 376,538**

[22] **Filed: Jul. 7, 1989**

[30] **Foreign Application Priority Data**

Jan. 10, 1989 [IT] Italy 52807/89[U]

[52] **U.S. Cl. D26/90**

[58] **Field of Search D26/72, 80-92;
362/147, 432, 404-408, 362**

[56] **References Cited**

U.S. PATENT DOCUMENTS

- D. 47,324 5/1915 Guth D26/90
D. 53,152 4/1919 Irwin D26/135
D. 87,213 6/1932 Hoffmann D26/90

1,772,724 8/1930 Lazerson 362/408 X

OTHER PUBLICATIONS

Architectural Record, 4-1965, p. 167, "Acoustical Clouds", suspended triangular panels.

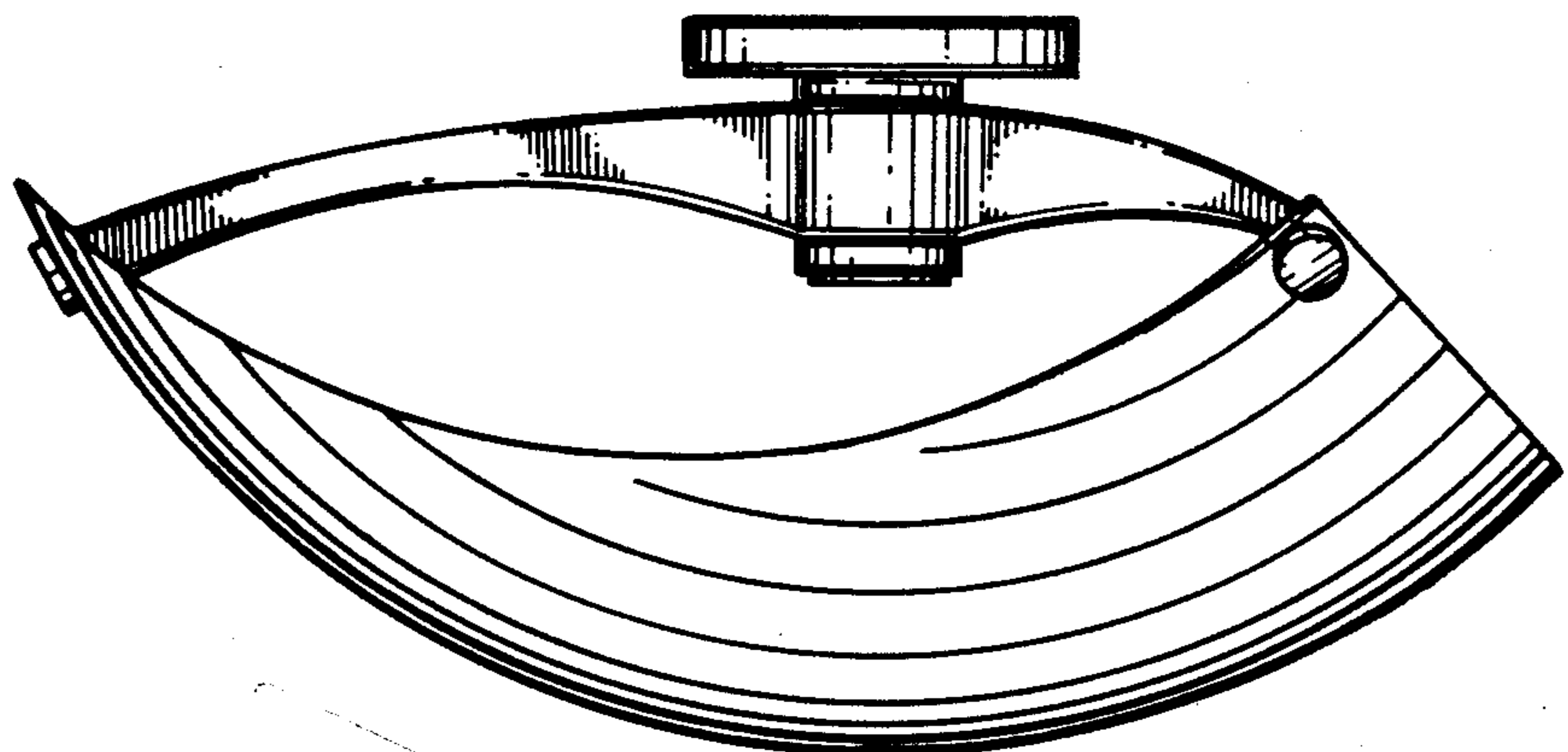
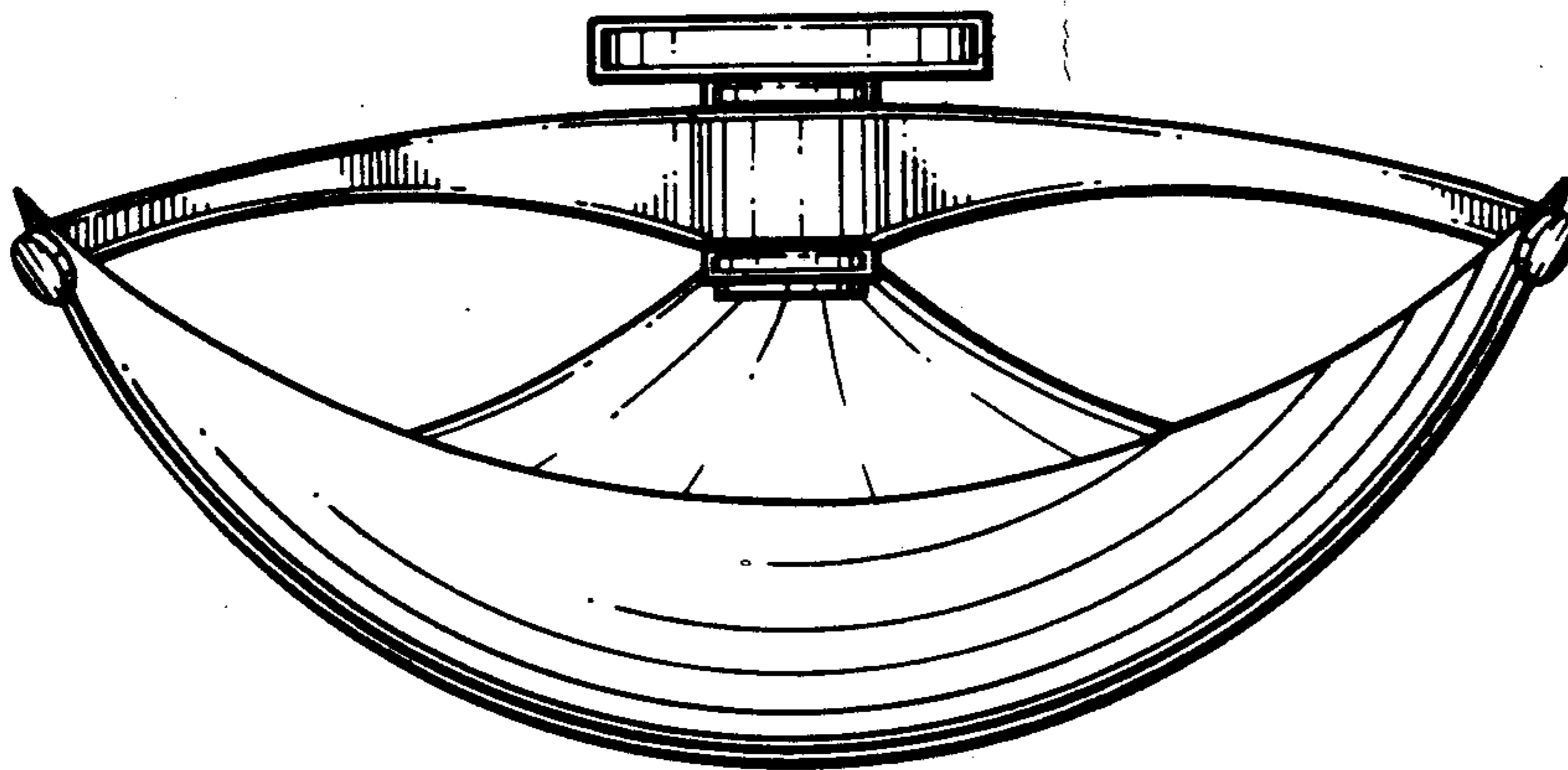
Primary Examiner—Susan J. Lucas
Attorney, Agent, or Firm—Kane, Dalsimer, Sullivan, Kurucz, Levy, Eisele and Richard

[57] **CLAIM**

The ornamental design for a ceiling light, as shown and described.

DESCRIPTION

FIG. 1 is a front elevational view of a ceiling light showing my new design;
FIG. 2 is a rear elevational view thereof;
FIG. 3 is a left side elevational view thereof;
FIG. 4 is a right side elevational view thereof;
FIG. 5 is a top plan view thereof;
FIG. 6 is a bottom plan view thereof.



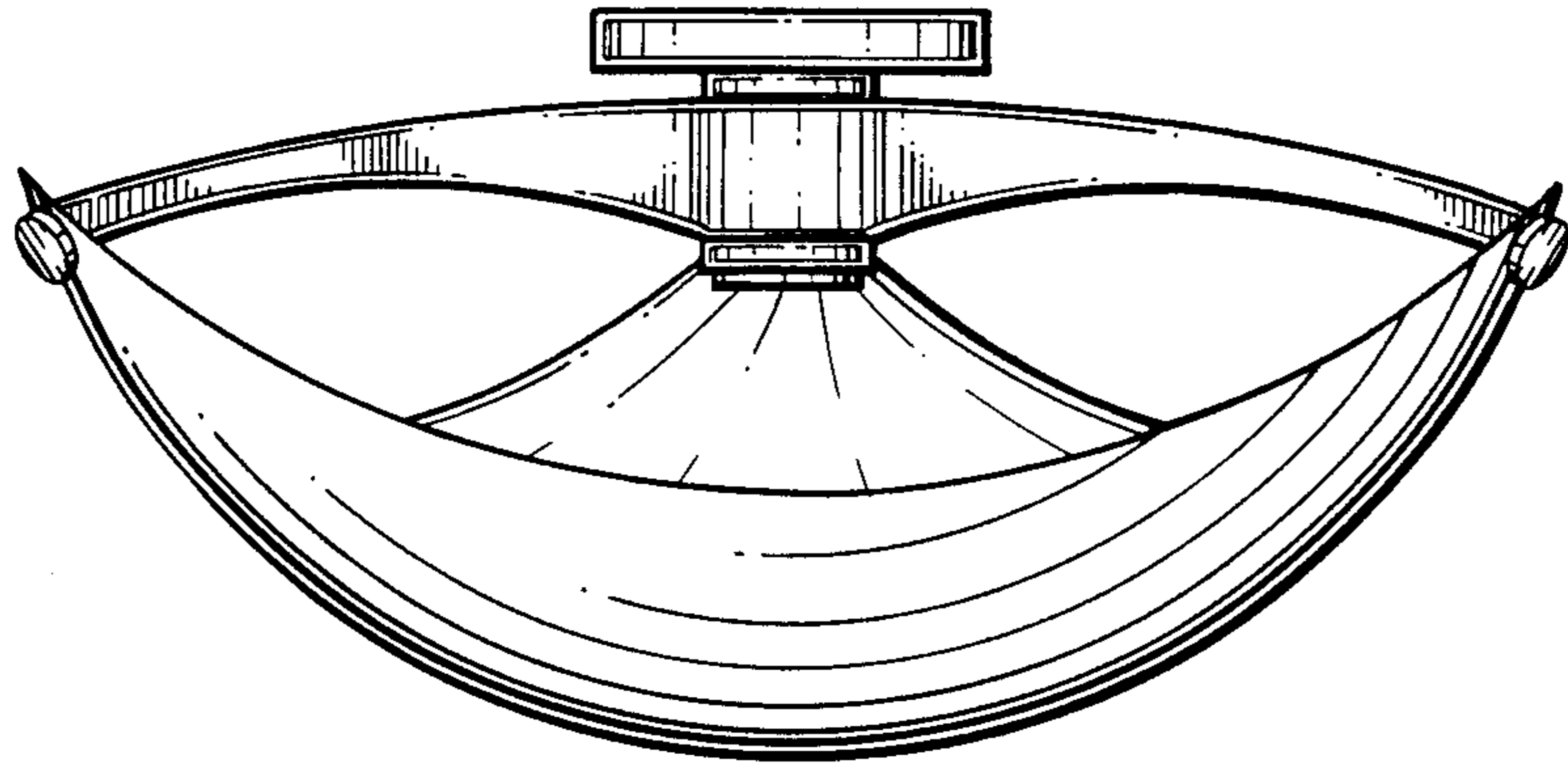


FIG. 1

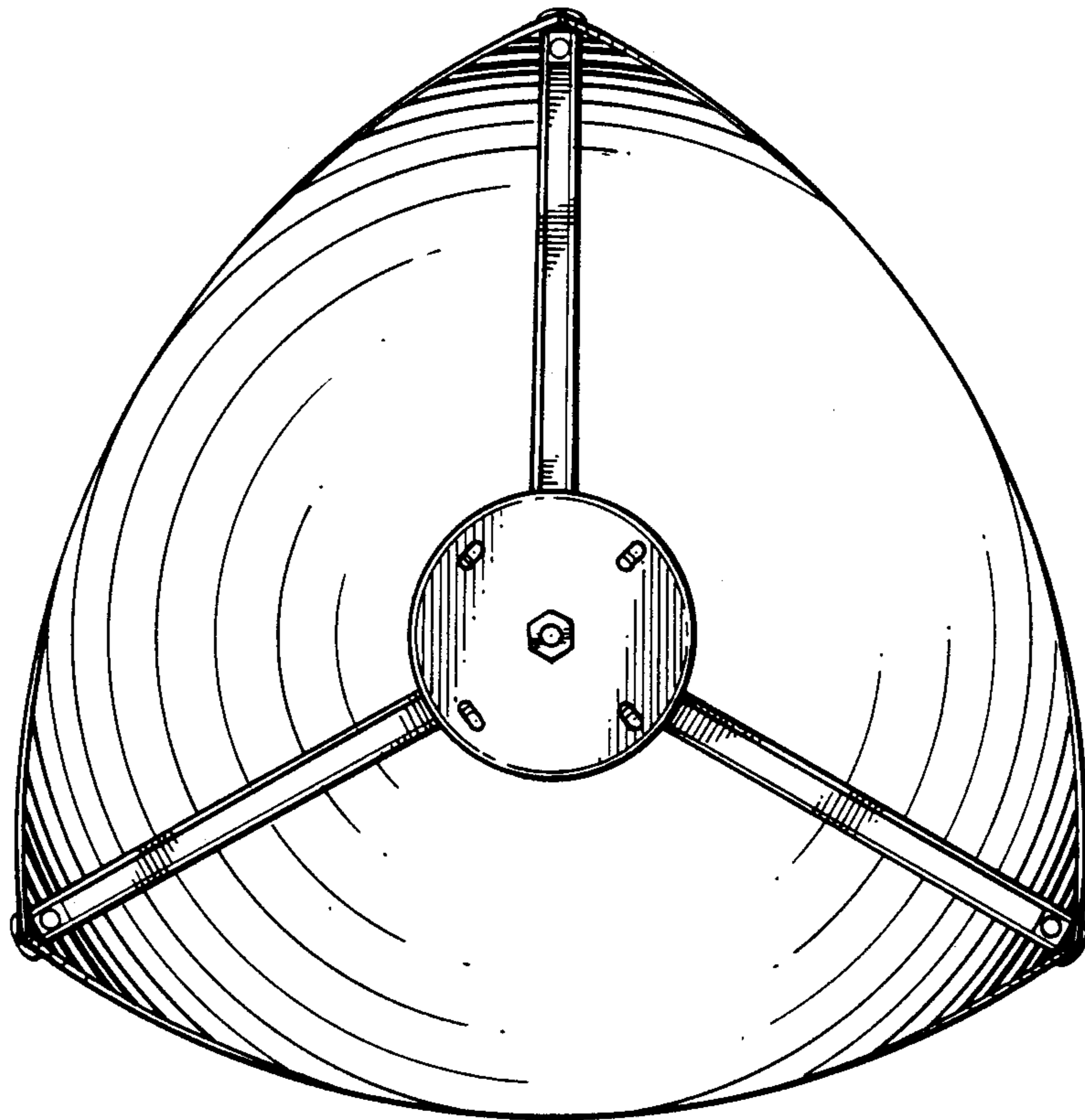


FIG. 5

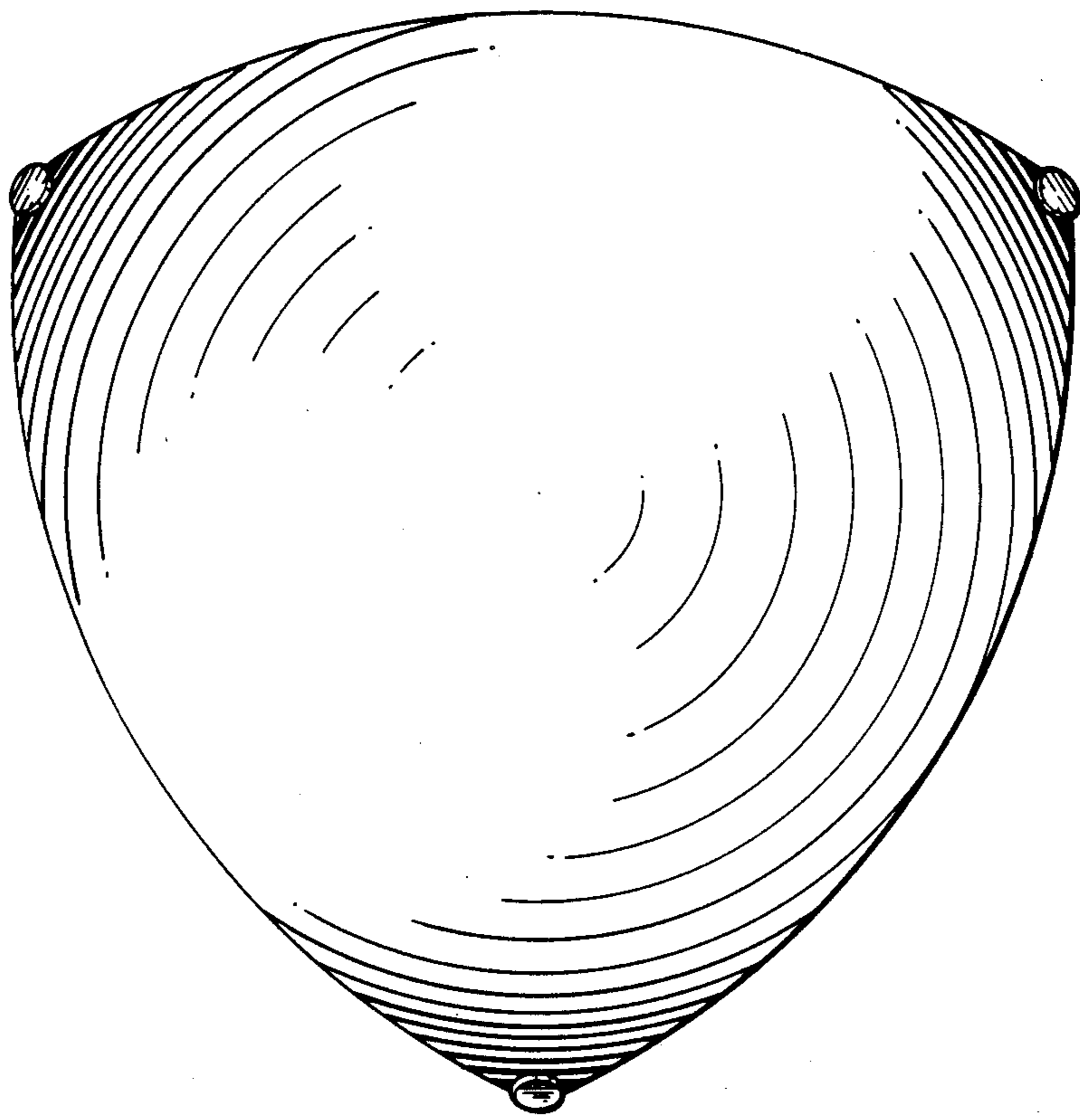


FIG. 6

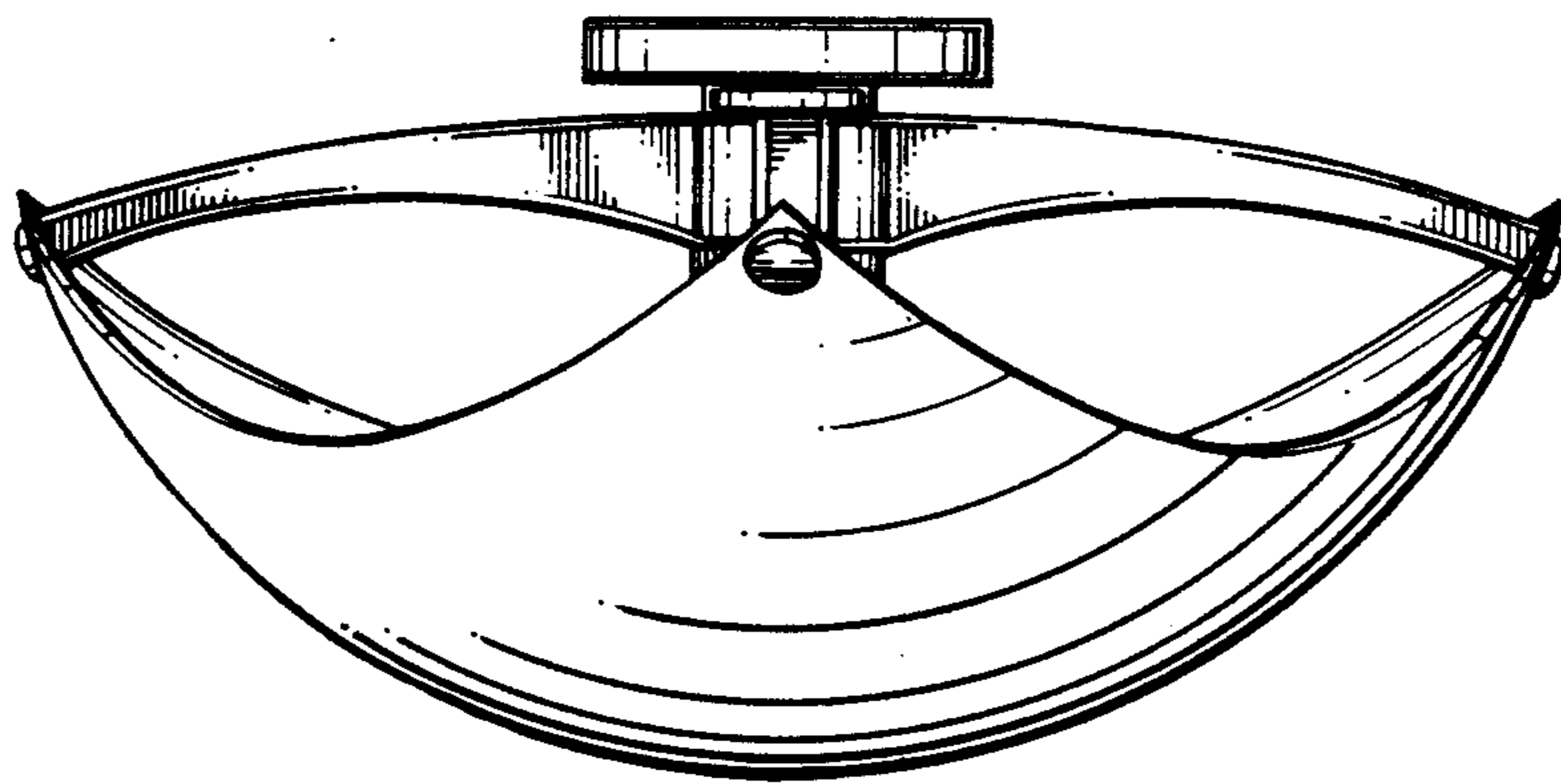


FIG. 2

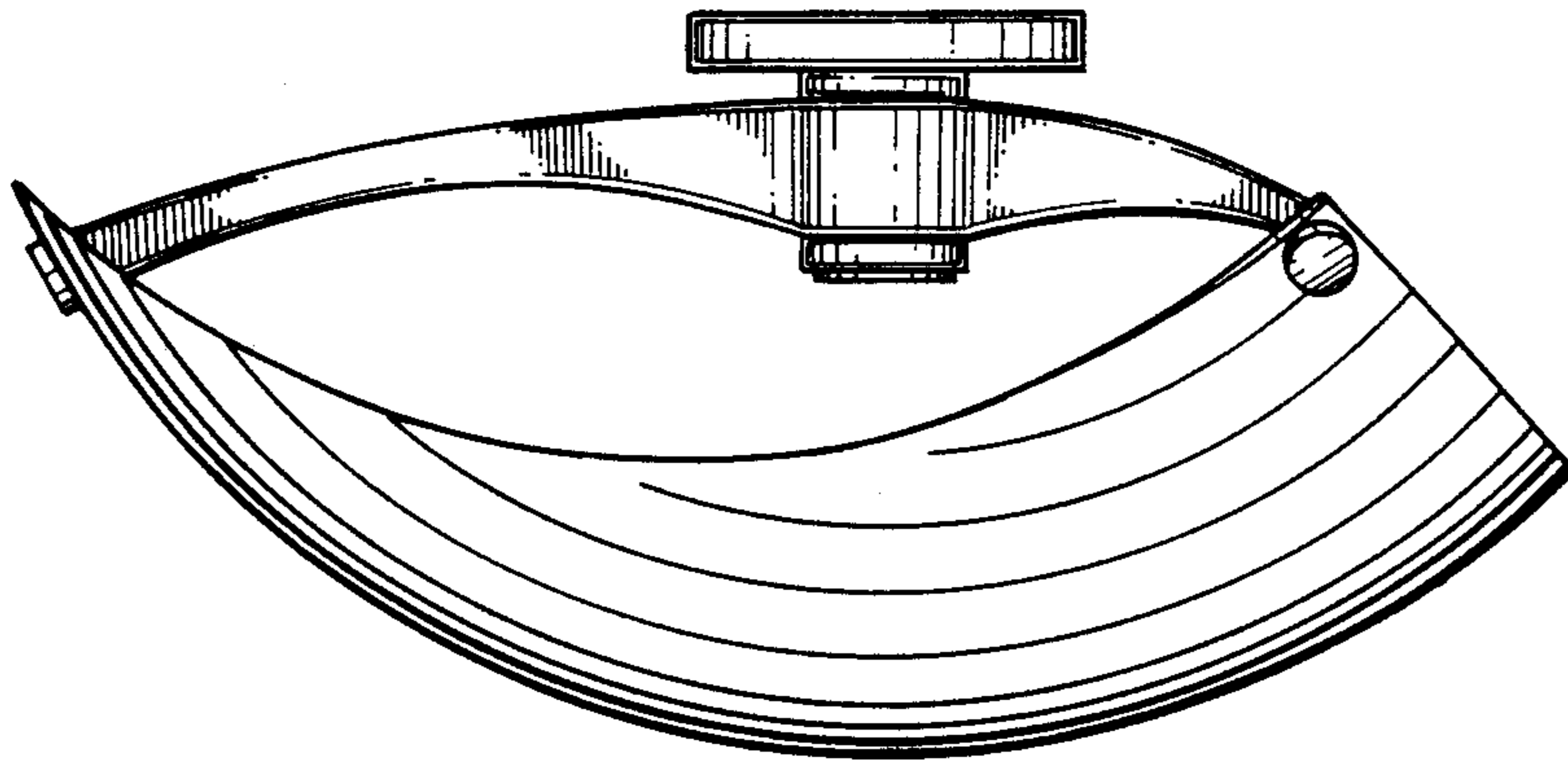


FIG. 3

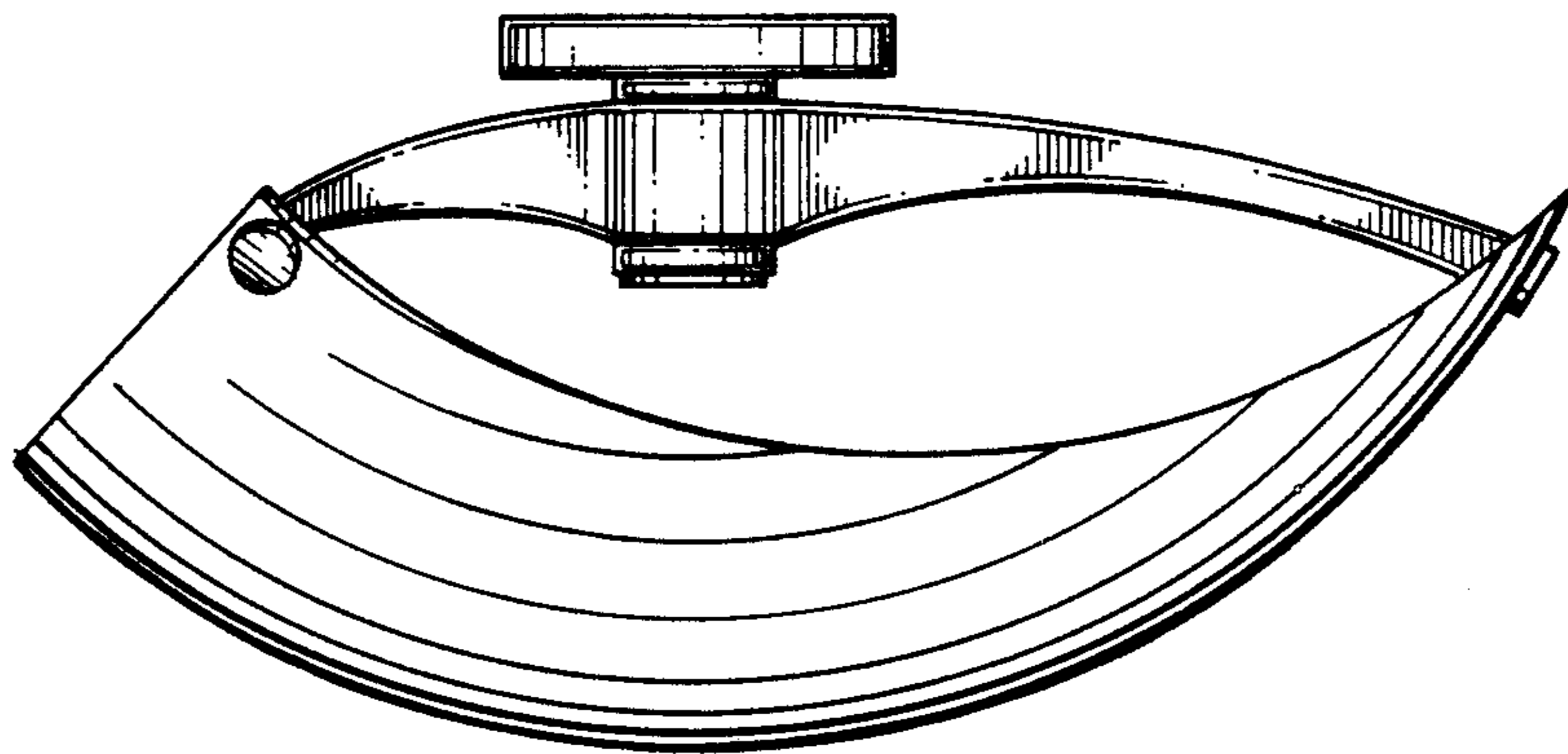


FIG. 4