

[54] **HANGING LIGHTING FIXTURE**

[76] **Inventor: Robert L. O'Neil, 400 North "A" St.,  
Richmond, Ind. 47374**

[\*\*] **Term: 14 Years**

[21] **Appl. No.: 701,346**

[22] **Filed: Feb. 13, 1985**

[52] **U.S. Cl. .... D26/73; D26/90**

[58] **Field of Search ..... D26/72, 73, 74, 80-92;  
362/404, 405, 406, 407, 408, 362, 363**

[56] **References Cited**

**U.S. PATENT DOCUMENTS**

D. 135,698 5/1943 Samit ..... D26/90

**OTHER PUBLICATIONS**

American Builder, 8-1948, p. 183, hanging lamp.  
Lamp Journal, 6-1970, p. 28, Mayfair lighting hanging  
lamp.

Majestic Metal Spinning & Stamping Co., Lighting  
Catalog M-60, 1960, p. 11, hanging lamp #1948.

*Primary Examiner*—Susan J. Lucas

[57] **CLAIM**

The ornamental design for a hanging lighting fixture, as  
shown and described.

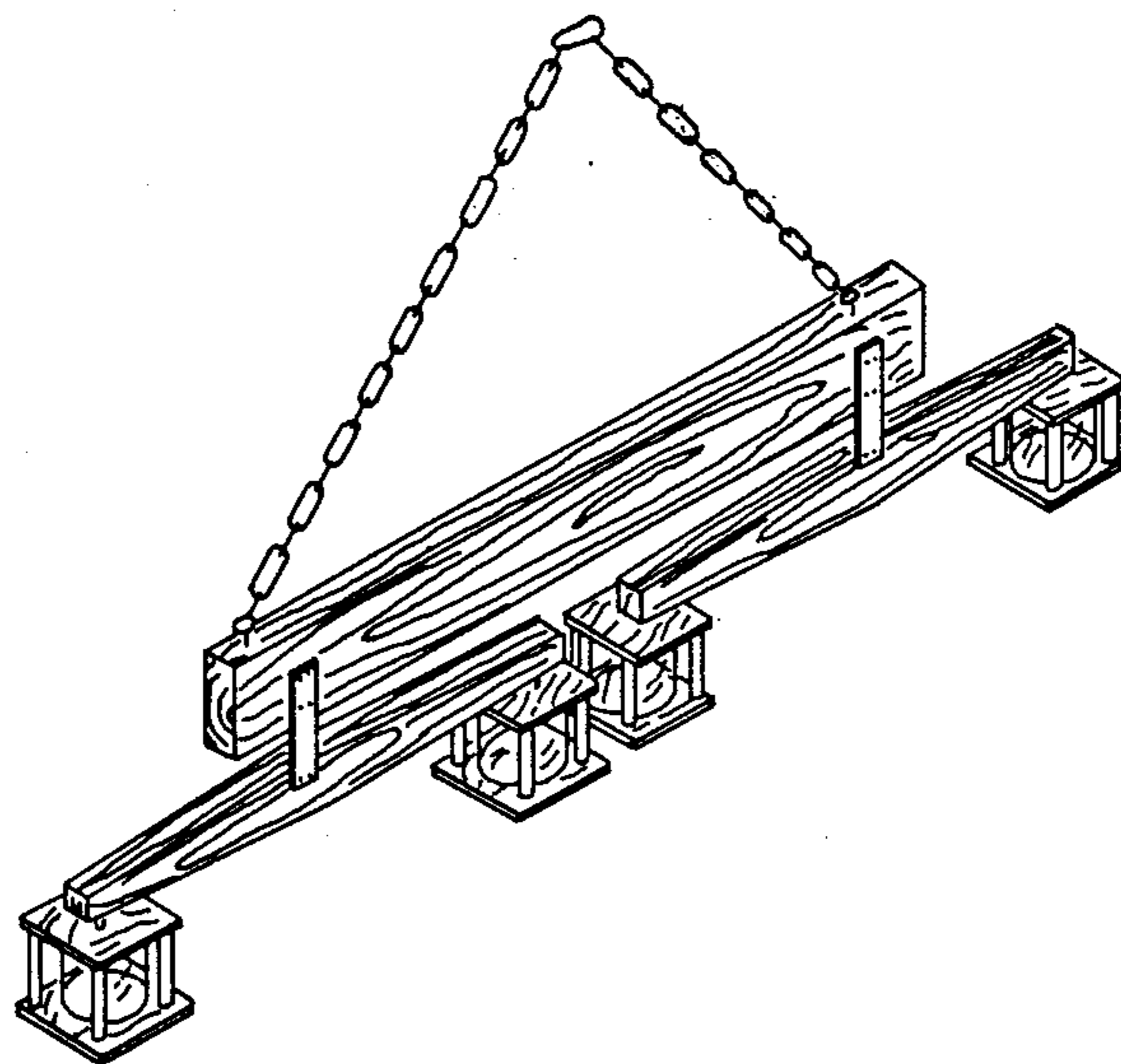
**DESCRIPTION**

FIG. 1 is a perspective view of a hanging lighting fixture  
showing my new design;

FIG. 2 is a side elevational view thereof on a reduced  
scale. The opposite side being a mirror image;

FIG. 3 is a rear elevational view thereof; and

FIG. 4 is a bottom plan view thereof.



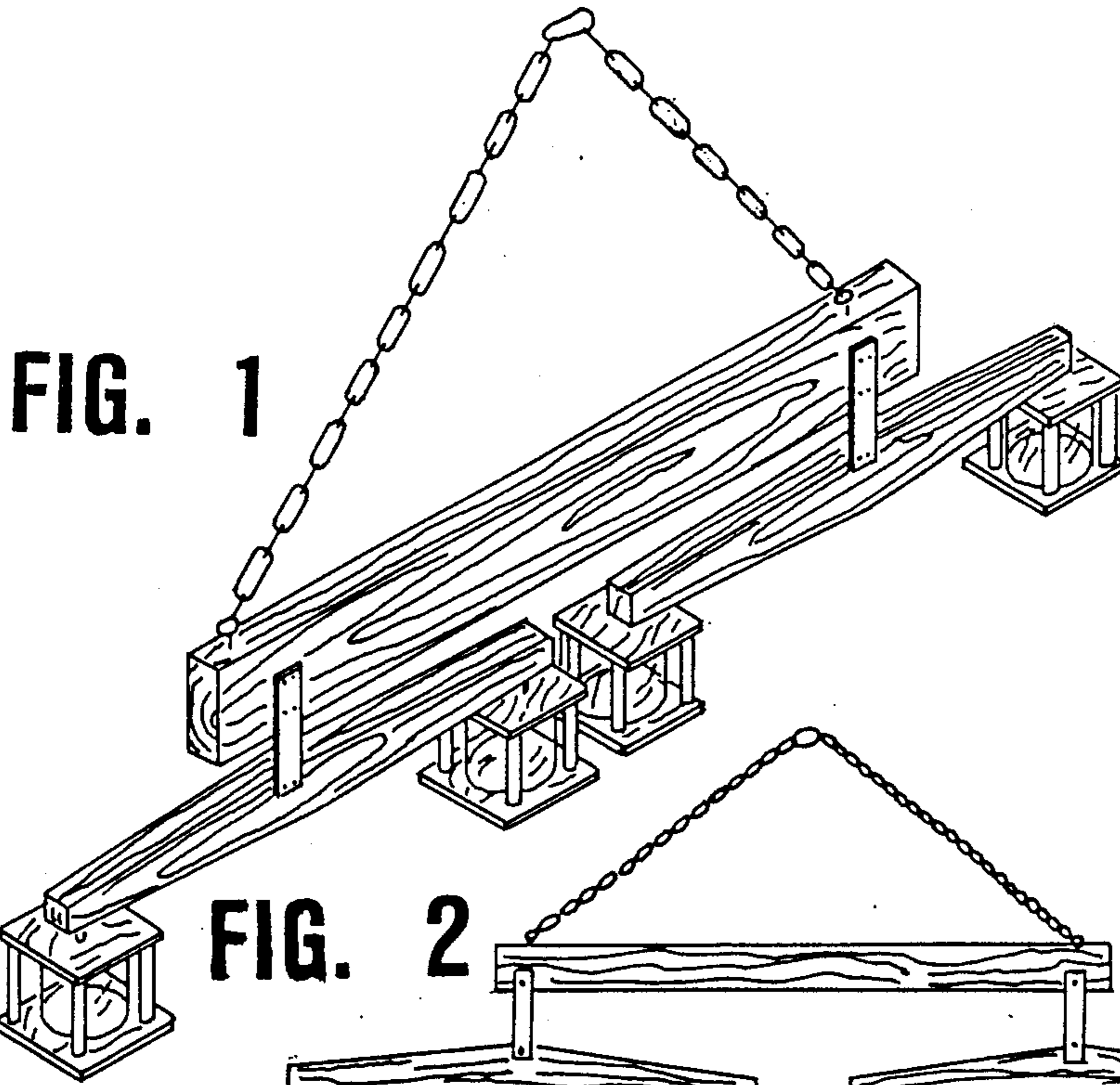


FIG. 3

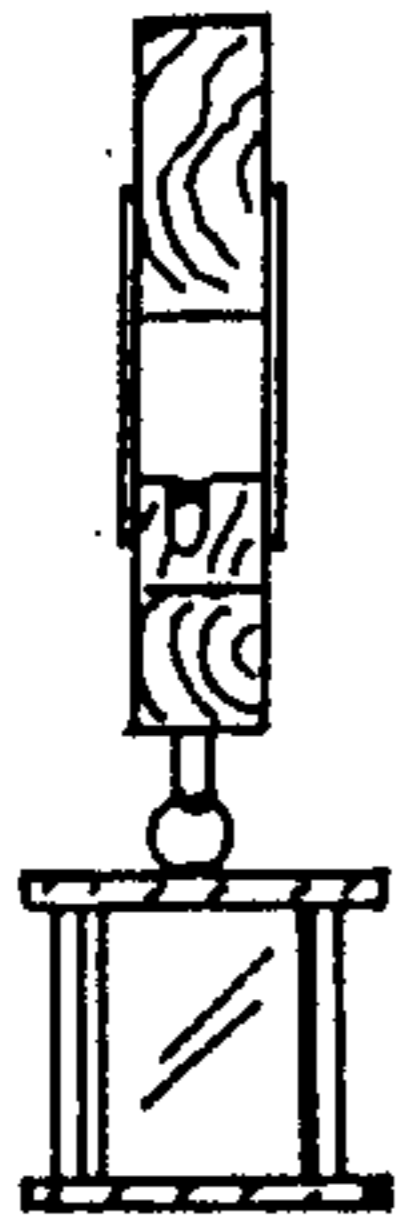


FIG. 4

