

[54] **ADJUSTABLE LAMP**

[76] **Inventor: Pony Yuan**, No. 1-2, Alley 32, Lane 31, Shuang Ho Street, Taipei, Taiwan

[**] **Term: 14 Years**

[21] **Appl. No.: 235,502**

[22] **Filed: Aug. 24, 1988**

[52] **U.S. Cl. D26/63; D26/98**

[58] **Field of Search D26/60-66; 362/410-414, 269, 418, 419, 427, 428, 429, 401, 402, 808**

[56] **References Cited**

U.S. PATENT DOCUMENTS

D. 302,865 8/1989 Von Klier D26/63

OTHER PUBLICATIONS

Abitare, 5-1985, p. 45, "Dove" lamp.
L'Architecture d'Aujourd'Hui, 4-1986, p. 94, lamp.

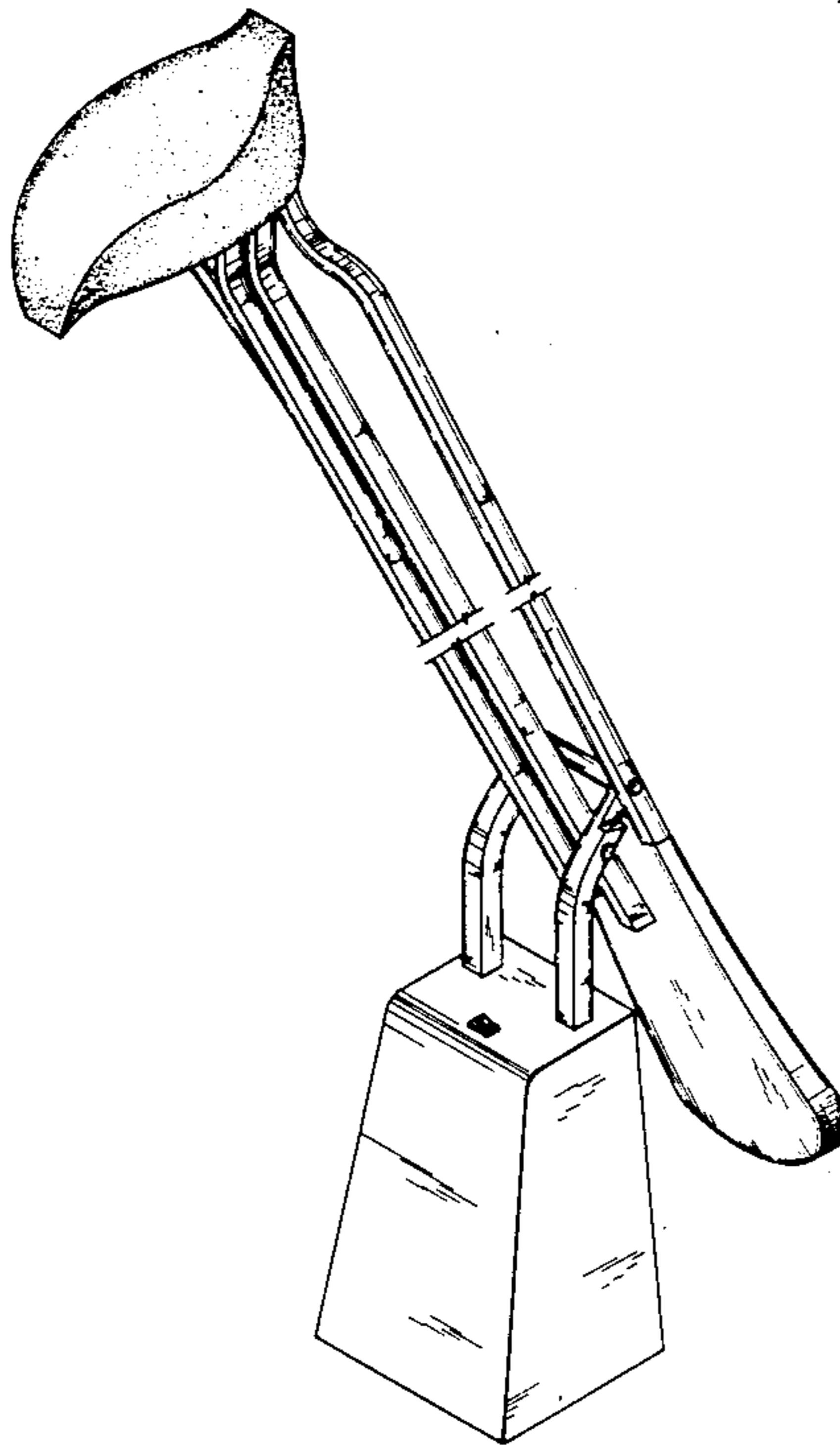
Primary Examiner—Susan J. Lucas
Attorney, Agent, or Firm—Lowe, Price, LeBlanc, Becker & Shur

[57] **CLAIM**

The ornamental design for an adjustable lamp, as shown and described.

DESCRIPTION

FIG. 1 is a front, right-side perspective view of an adjustable lamp showing my new design;
FIG. 2 is a front elevational view thereof;
FIG. 3 is a rear elevational view thereof;
FIG. 4 is a top plan view thereof;
FIG. 5 is a bottom plan view thereof;
FIG. 6 is a left-side elevational view thereof;
FIG. 7 is a right-side elevational view thereof.



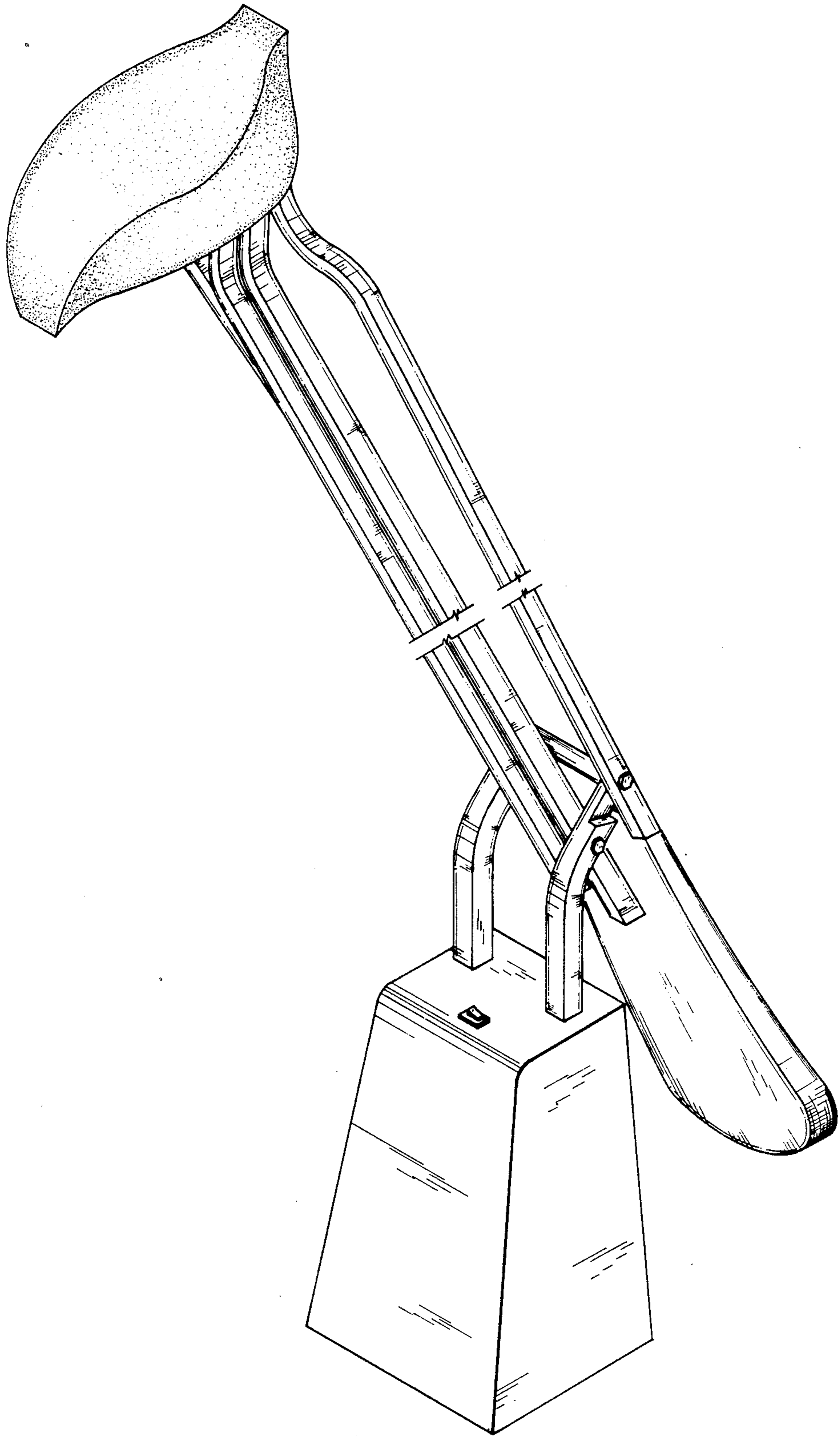


FIG.1

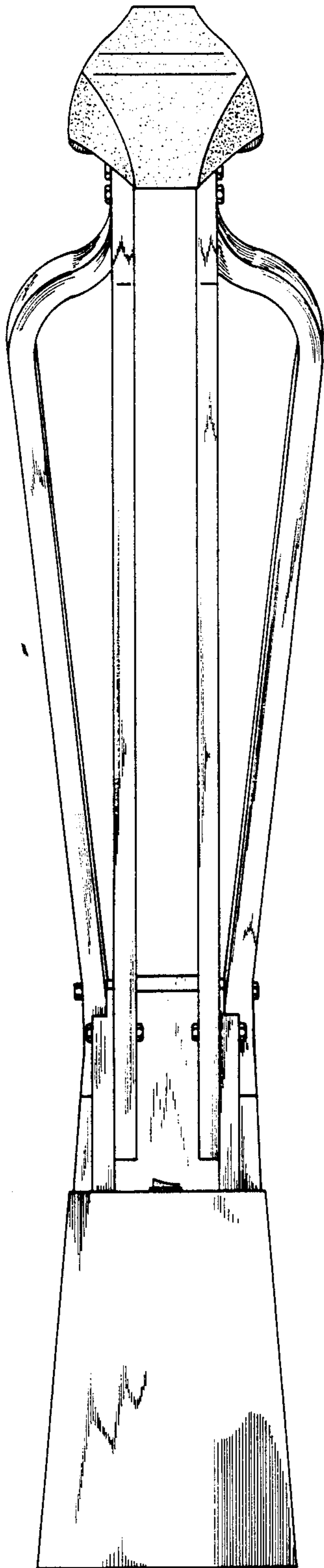


FIG. 2

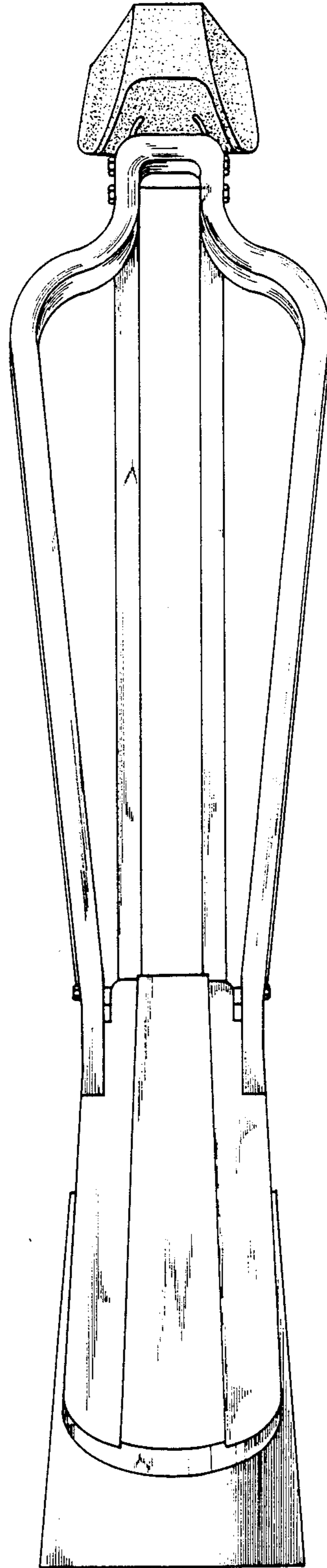


FIG. 3

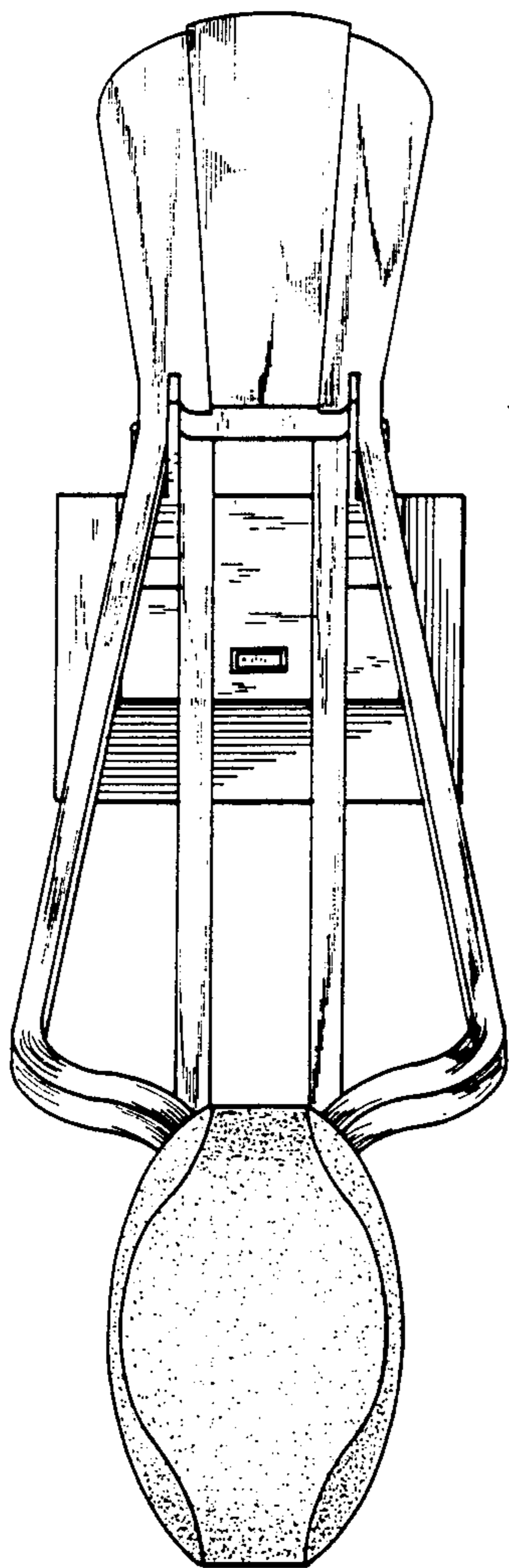


FIG. 4

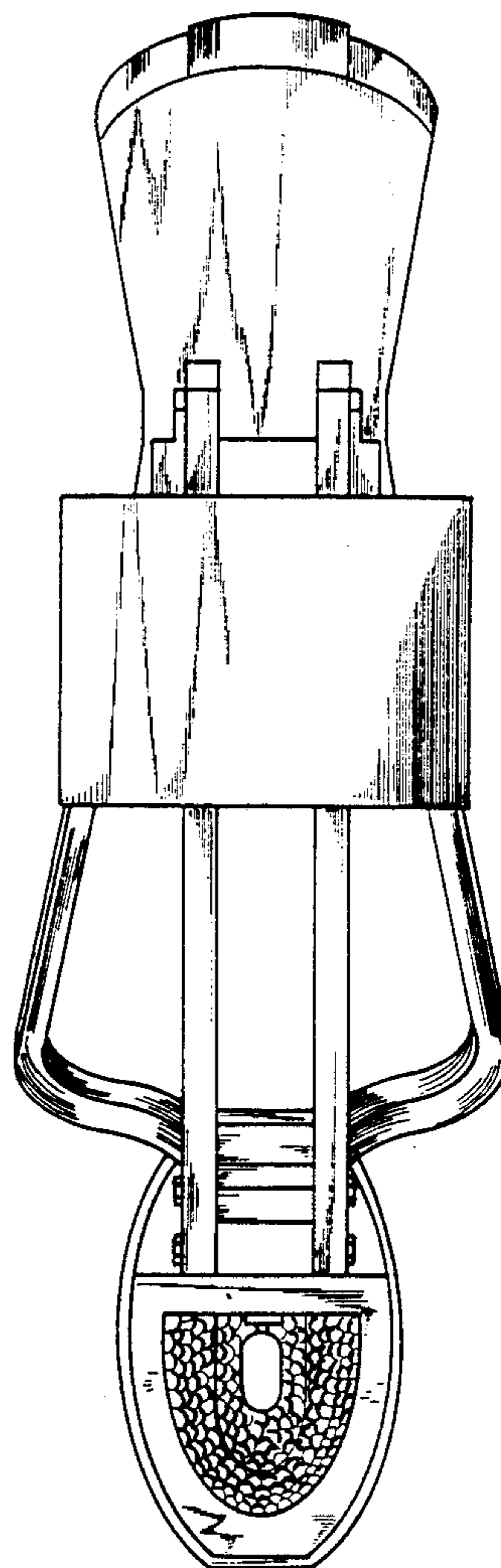


FIG. 5

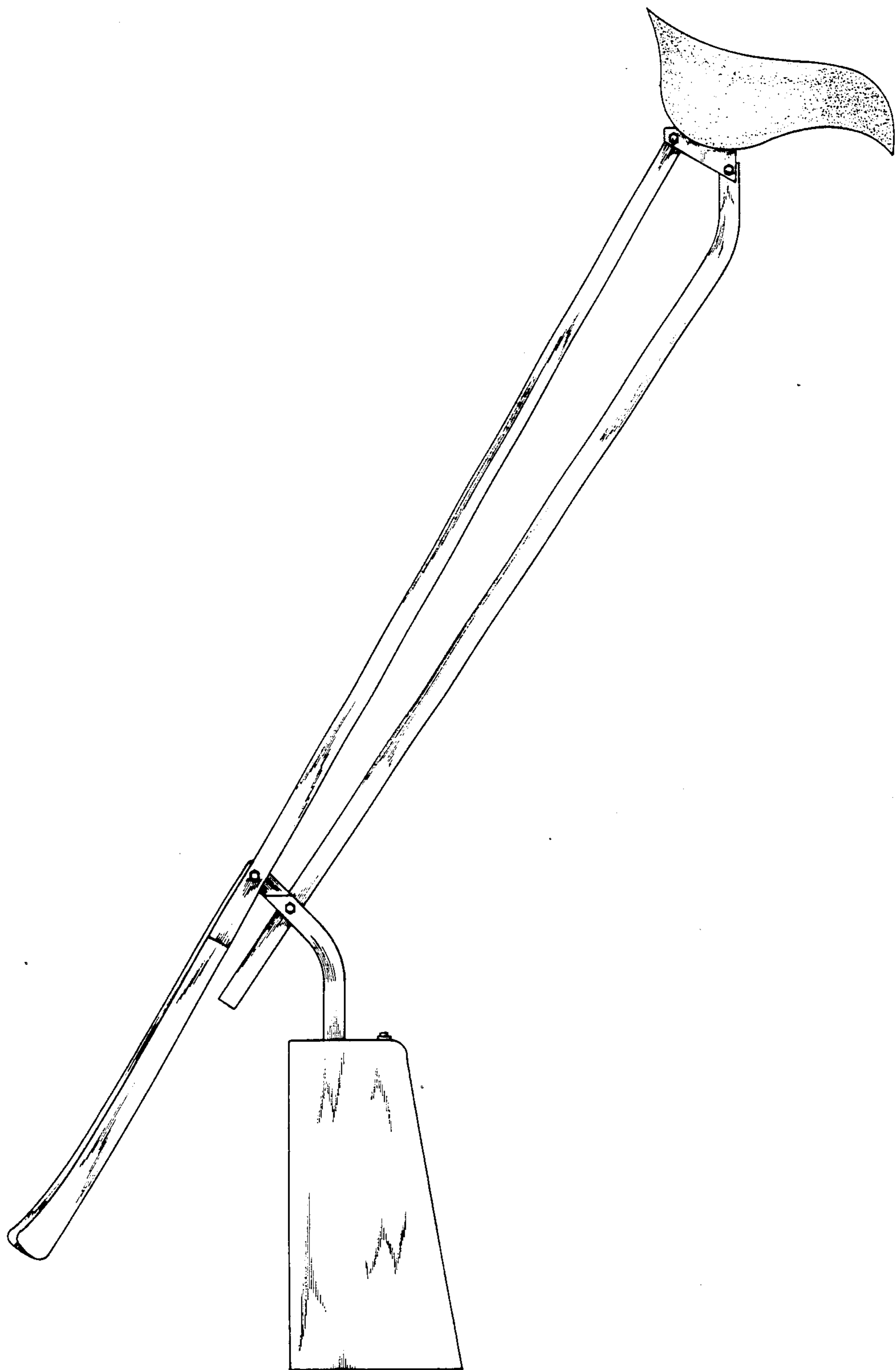


FIG. 6

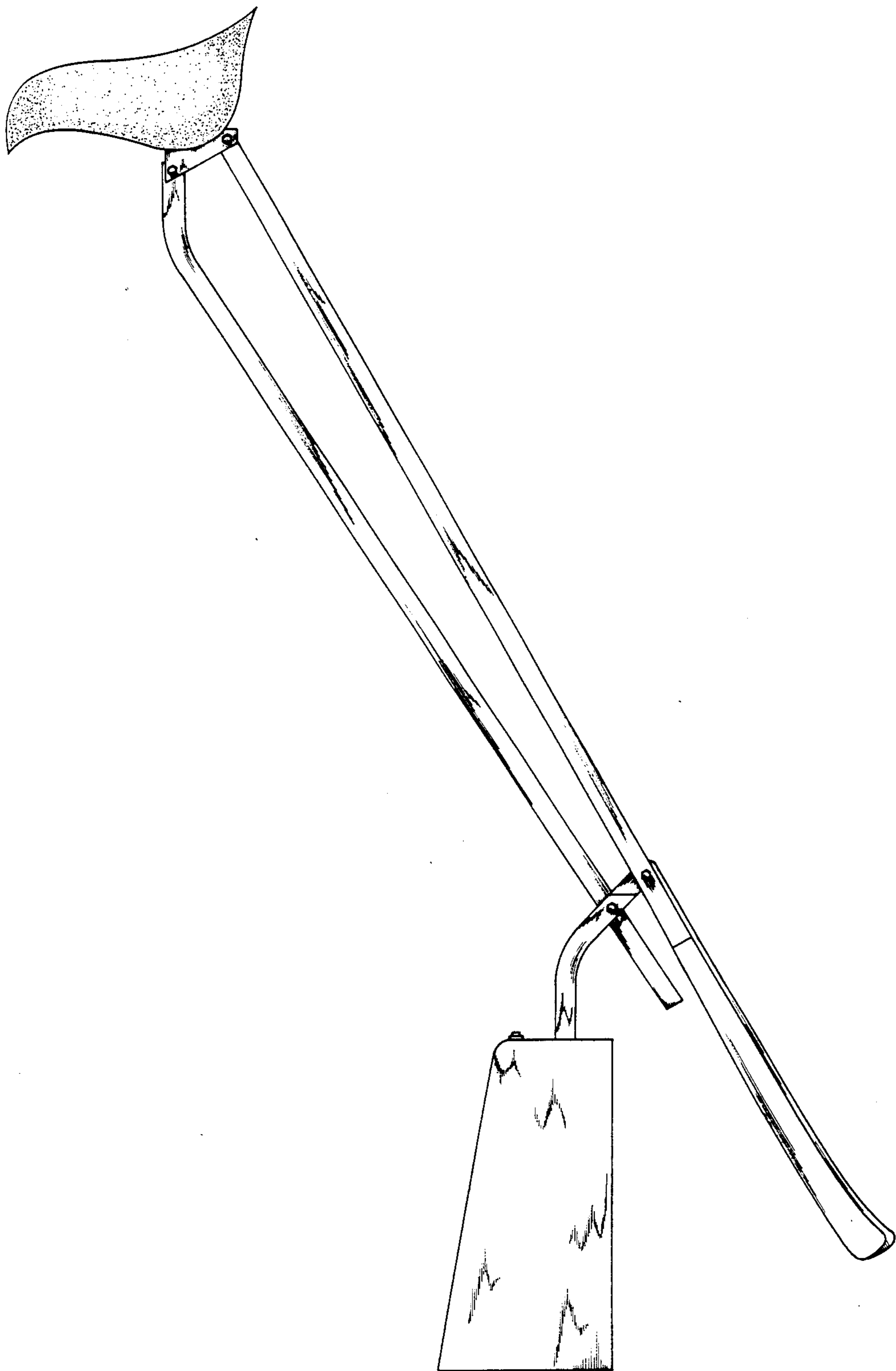


FIG.7