

[54] MEDICAL CONNECTOR

[75] Inventor: Yoshihisa Sone, Tokyo, Japan

[73] Assignee: Terumo Kabushiki Kaisha, Tokyo, Japan

[**] Term: 14 Years

[21] Appl. No.: 200,177

[22] Filed: May 27, 1988

[30] Foreign Application Priority Data

Nov. 27, 1987 [JP] Japan 62-48265

Nov. 27, 1987 [JP] Japan 62-48266

[52] U.S. Cl. D24/53

[58] Field of Search D24/53; 604/29, 280, 604/283, 403, 406, 905; 285/81, 92, 332, 340, 386

[56] References Cited

U.S. PATENT DOCUMENTS

D. 268,871 5/1983 Benham et al. D24/53

D. 303,013 8/1989 Konopka D24/53

4,588,402 5/1986 Igari et al. D24/53 X

4,752,292 6/1988 Lopez et al. 604/244

Primary Examiner—A. Hugo Word

Assistant Examiner—Stella M. Reid
Attorney, Agent, or Firm—Oblon, Spivak, McClelland, Maier & Neustadt

[57] CLAIM

The ornamental design for a medical connector, as shown.

DESCRIPTION

FIG. 1 is a front elevational view of a medical connector showing my new design;

FIG. 2 is a rear elevational view thereof;

FIG. 3 is a top plan view thereof;

FIG. 4 is a right side elevational view thereof;

FIG. 5 is a left side elevational view thereof;

FIG. 6 is a bottom plan view thereof;

FIG. 7 is a cross-sectional view thereof, taken along line 7—7 of FIG. 1;

FIG. 8 is a front elevational view of a second embodiment of FIG. 1;

FIG. 9 is a rear elevational view thereof;

FIG. 10 is a top plan view thereof;

FIG. 11 is a right side elevational view thereof;

FIG. 12 is a left side elevational view thereof;

FIG. 13 is a bottom plan view thereof; and

FIG. 14 is a cross-sectional view thereof, taken along line 14—14 of FIG. 8.

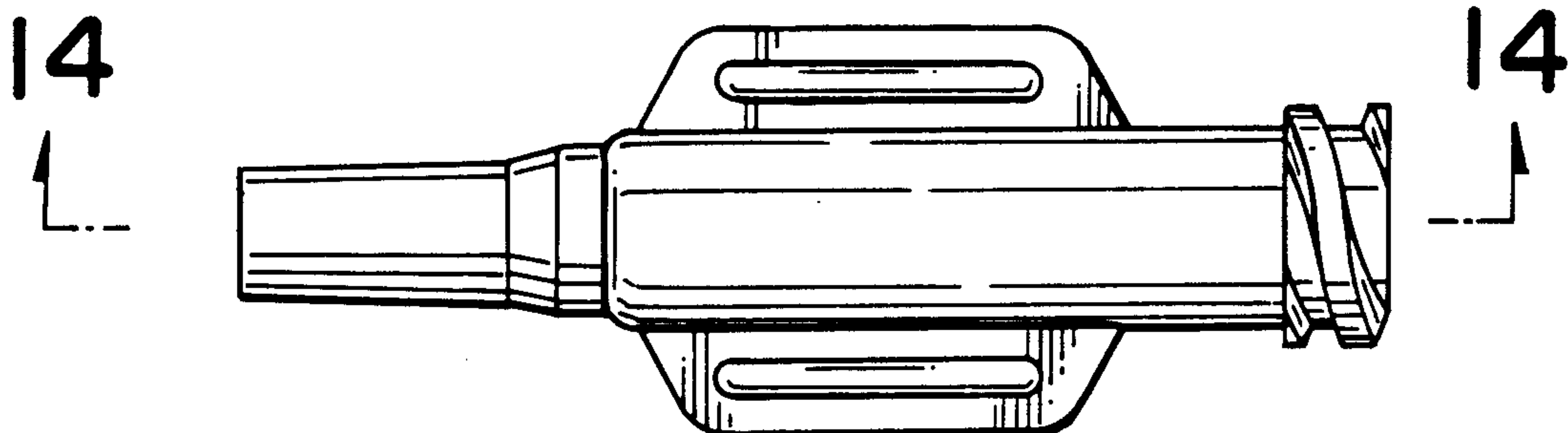
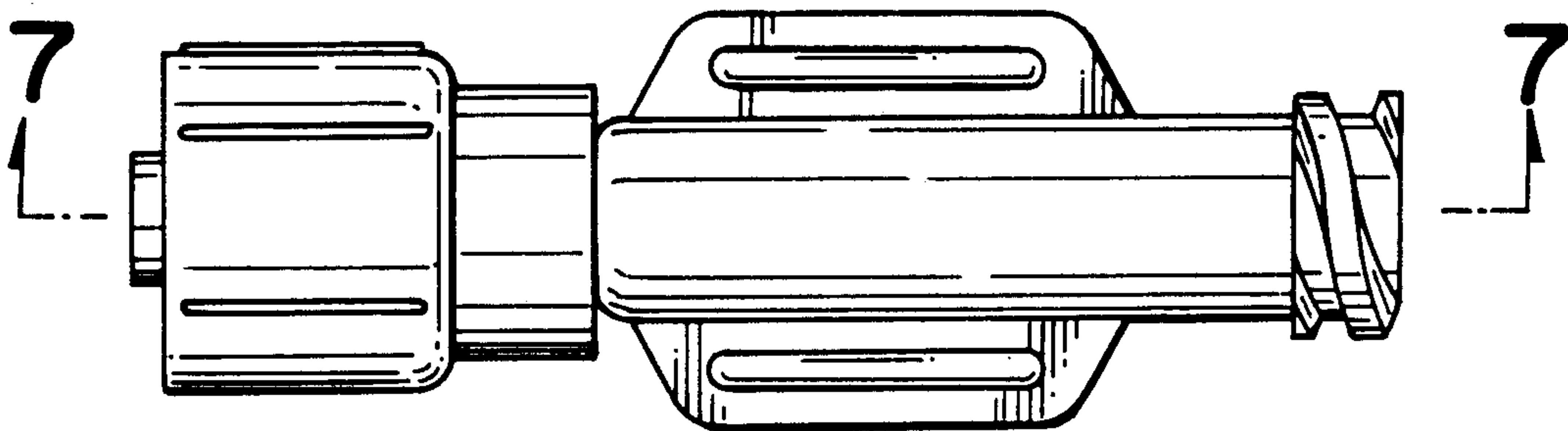


FIG. 1

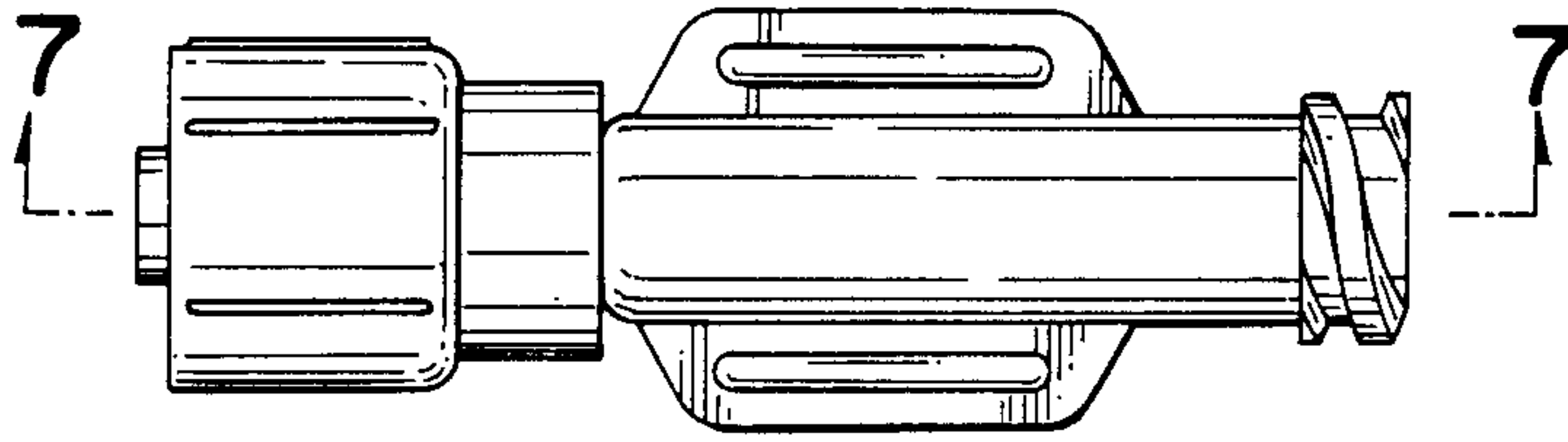


FIG. 4

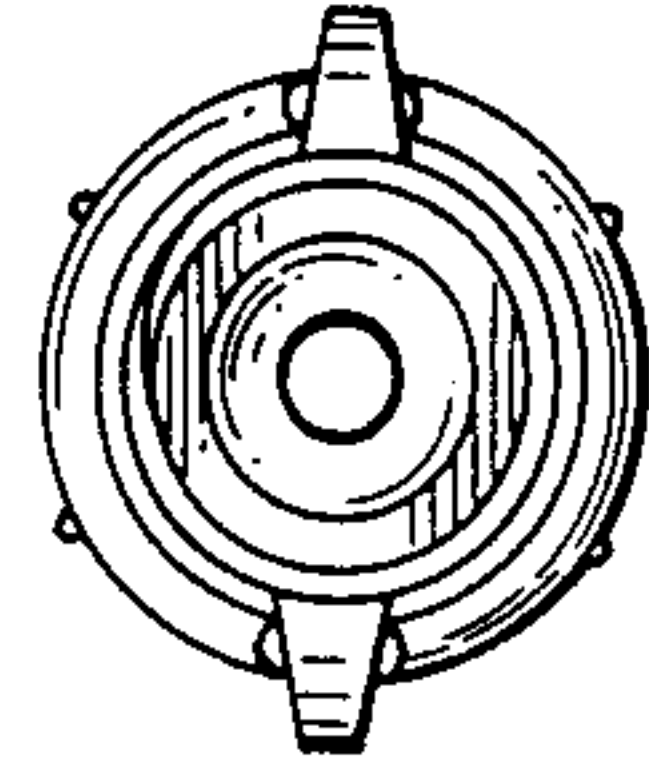


FIG. 2

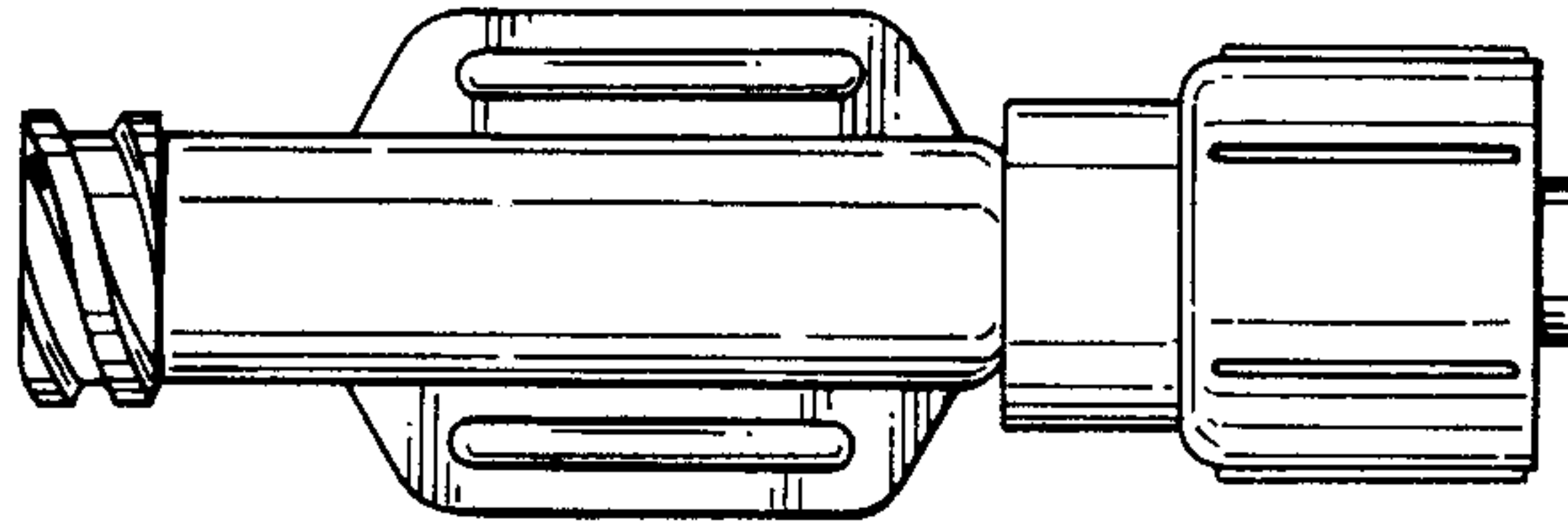


FIG. 5

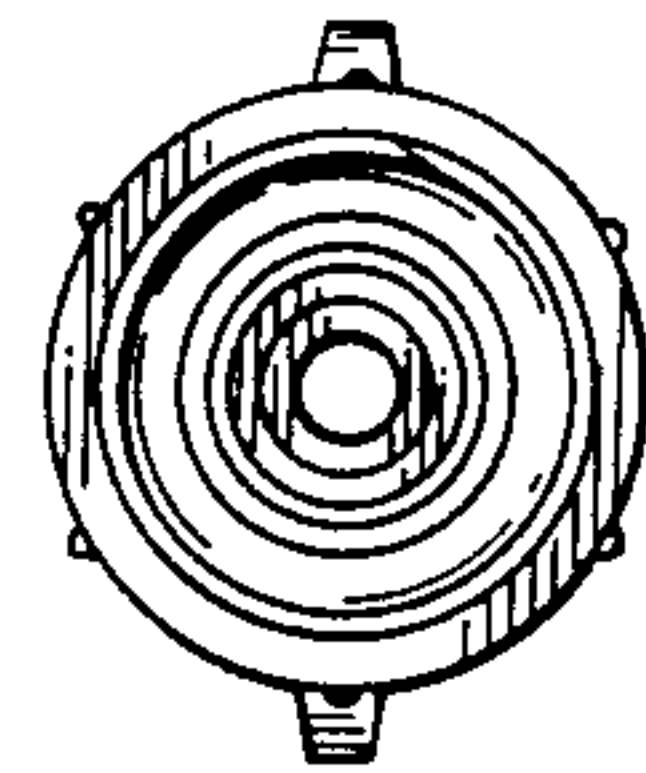


FIG. 3

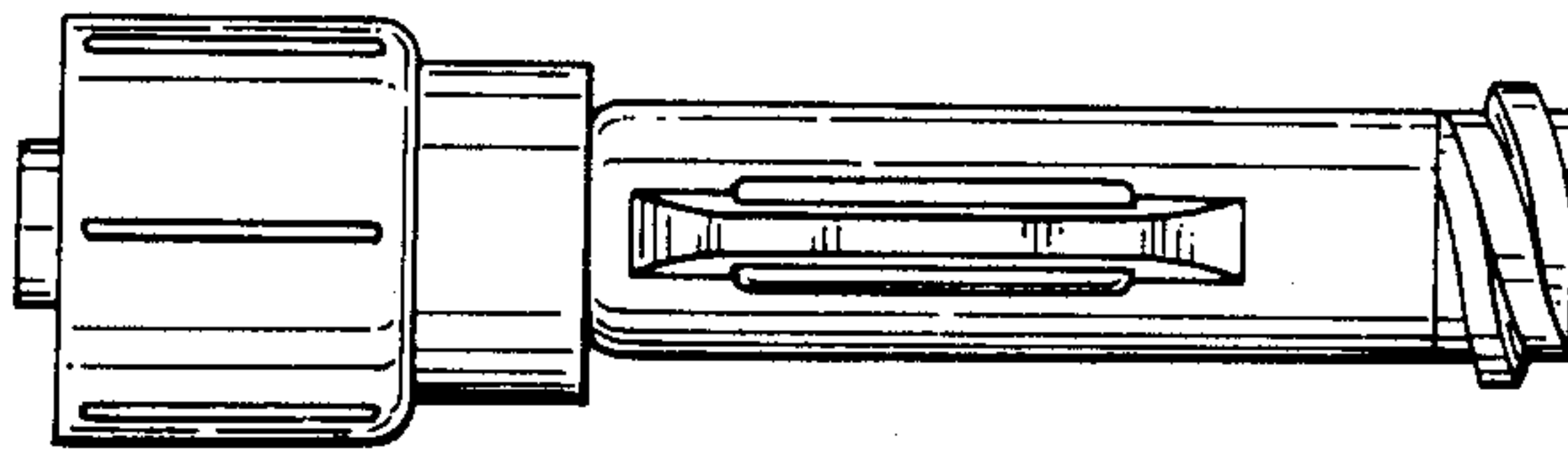


FIG. 6

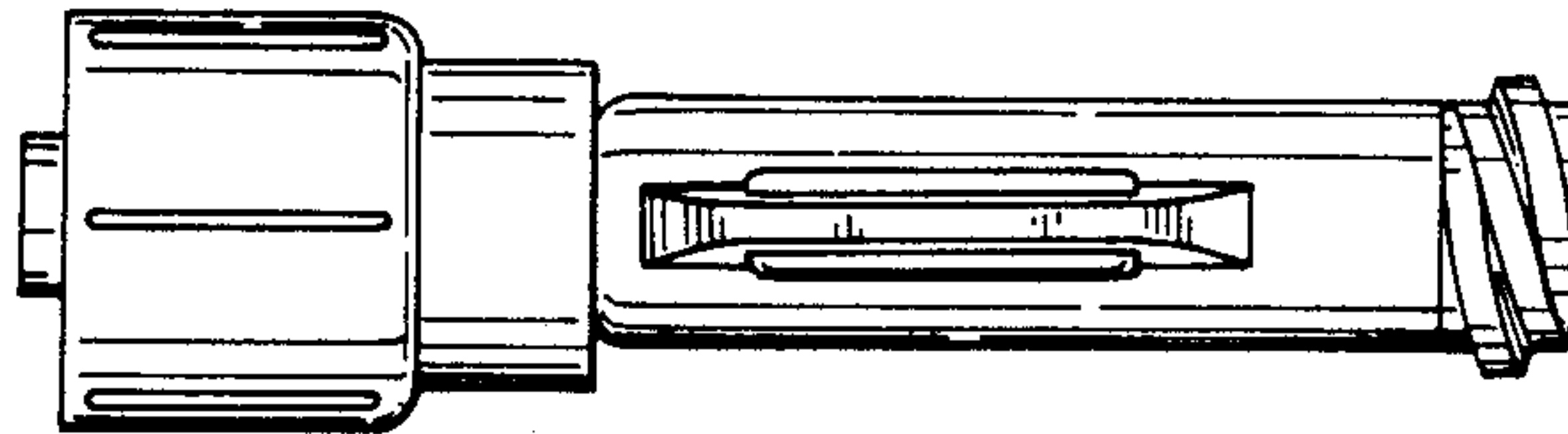


FIG. 7

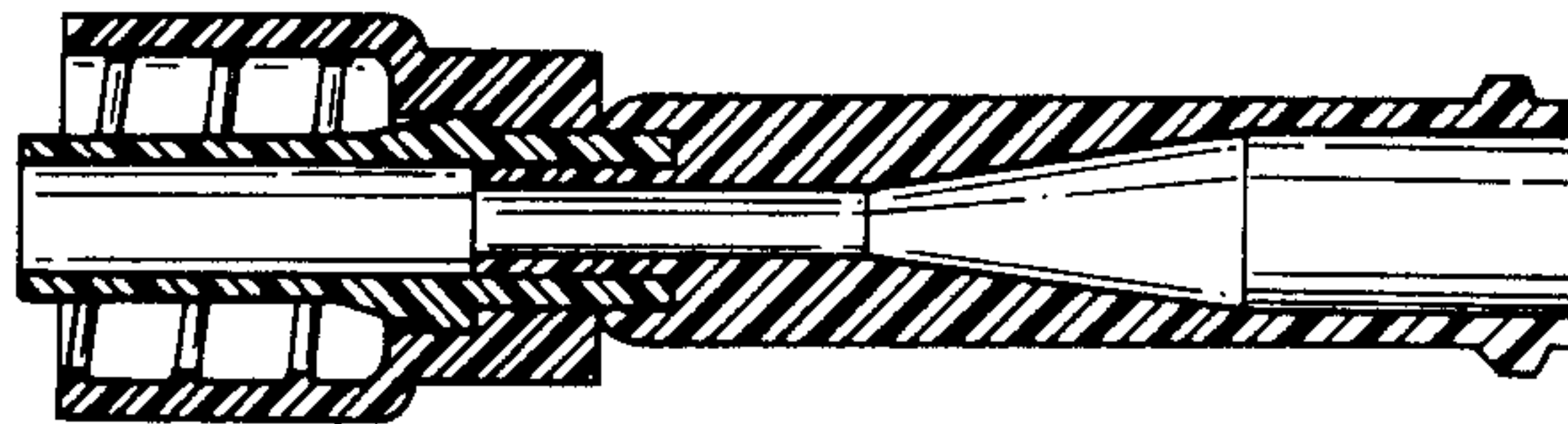


FIG. 8

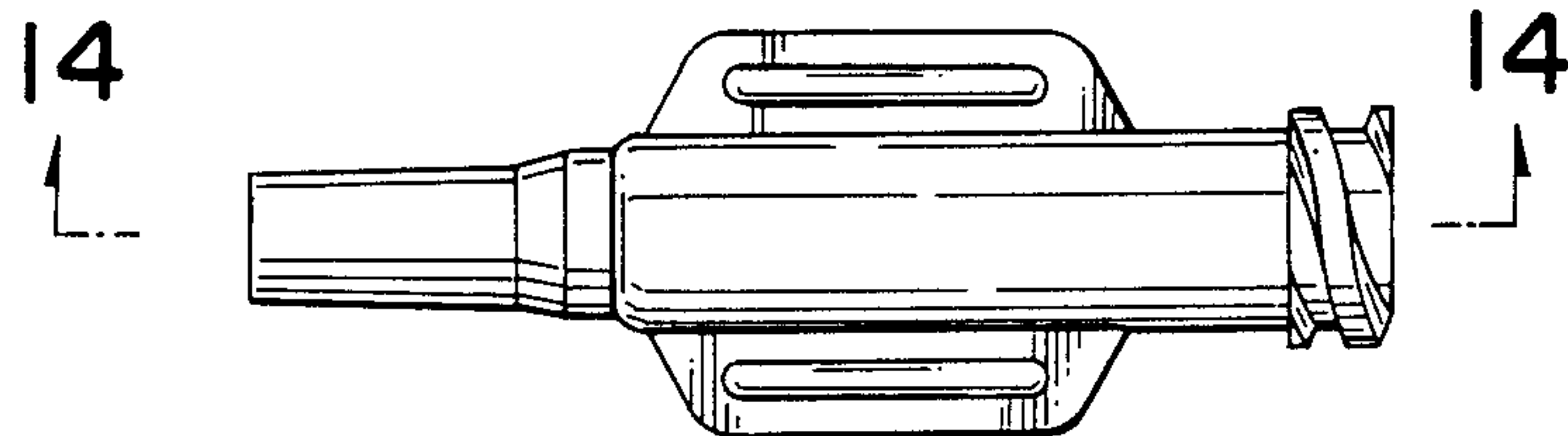


FIG. 11

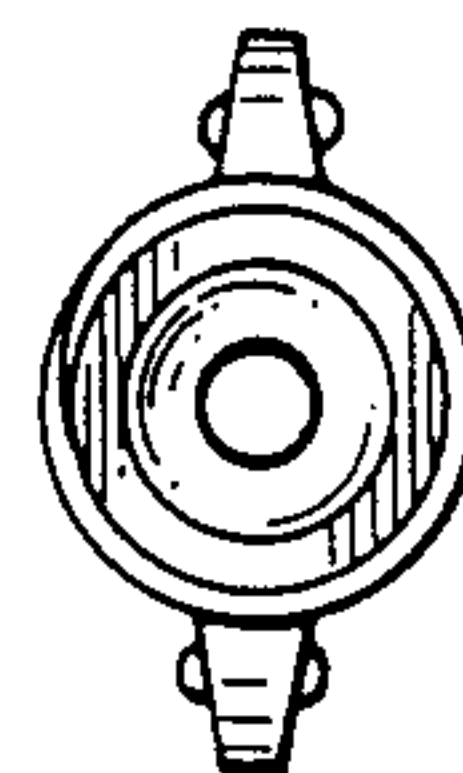


FIG. 9

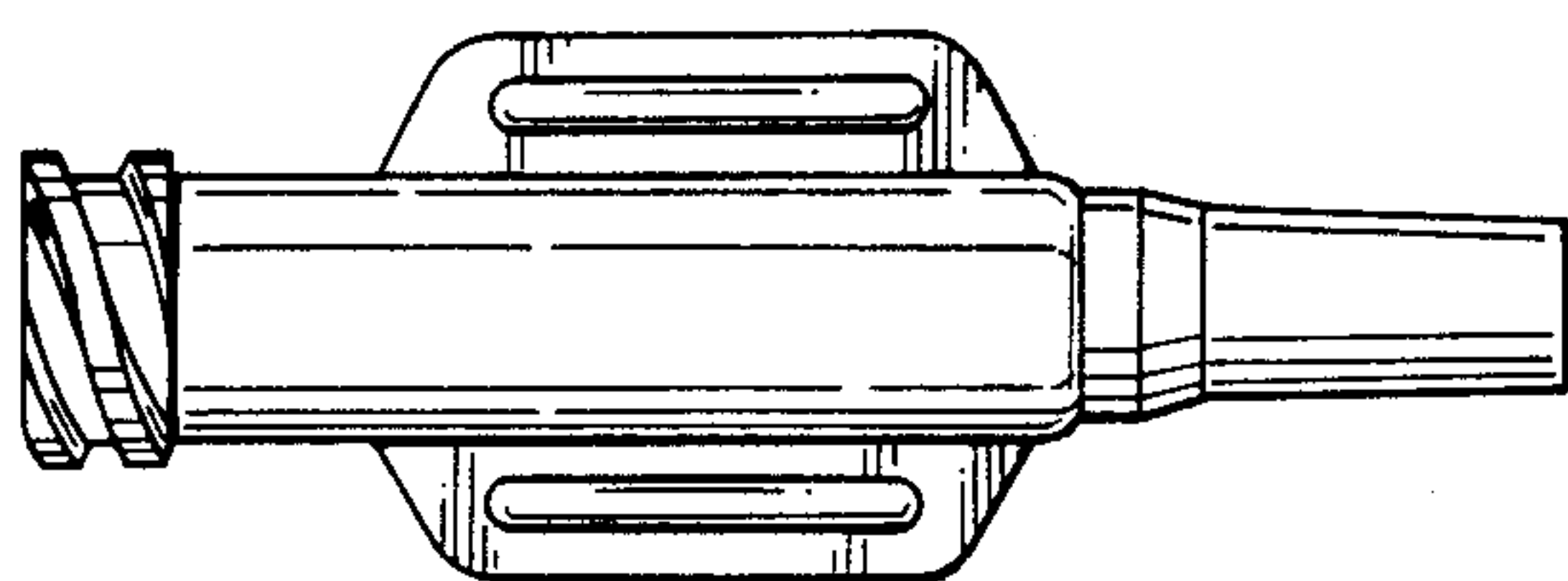


FIG. 12

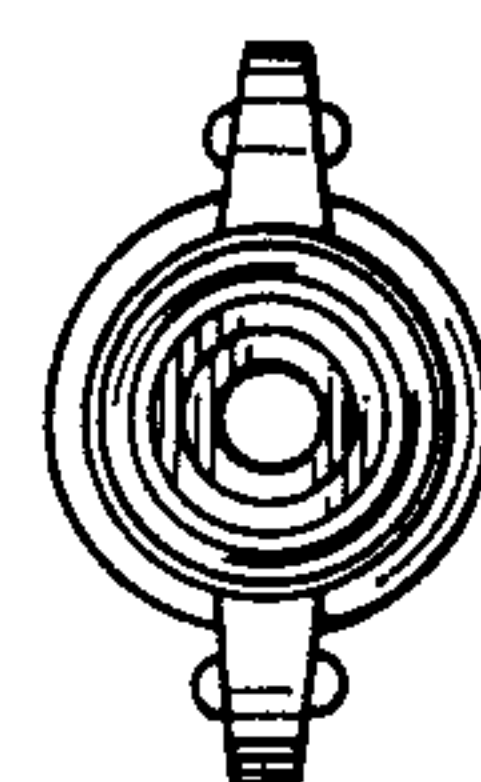


FIG. 10

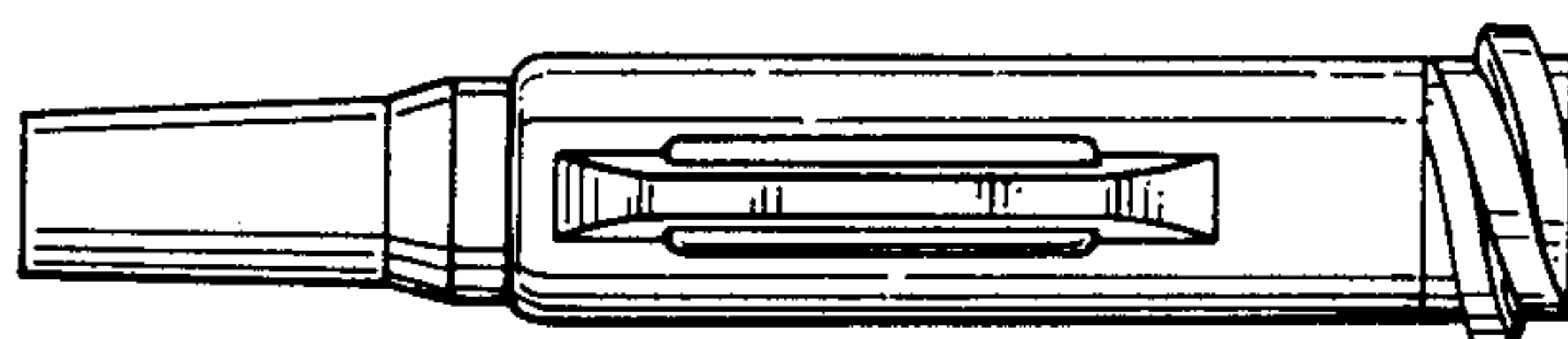


FIG. 13

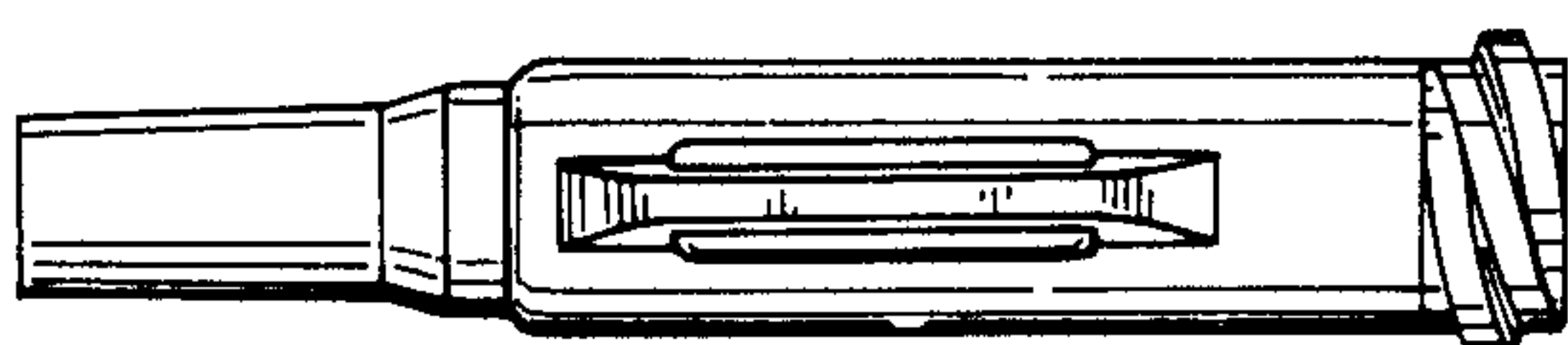


FIG. 14

