

[54] PORTABLE ELECTRICAL FAN

[75] Inventor: Jui-Shang Wang, Taipei, Taiwan

[73] Assignee: Duracraft Corporation, Sudbury, Mass.

[\*\*] Term: 14 Years

[21] Appl. No.: 391,326

[22] Filed: Aug. 9, 1989

[52] U.S. Cl. .... D23/378

[58] Field of Search ..... D23/378, 413, 370, 381, D23/382, 412, 332, 411; 248/126, 176, 183, 413; 416/247 R, 246

[56] References Cited

U.S. PATENT DOCUMENTS

D. 270,941	10/1983	Lin	.....	D23/382
969,694	9/1910	Hoffman	.....	248/413
2,336,104	12/1943	Laube et al.	.....	248/183
2,491,862	12/1949	Klos	.....	D23/413
2,628,142	2/1953	Dubach	.....	248/413
4,405,107	9/1983	Clyburn	.....	248/413
4,836,751	6/1989	Liu	.....	416/247 R

FOREIGN PATENT DOCUMENTS

220603	11/1962	Japan	.....	D23/412
135797	10/1981	Japan	.....	416/247 R
265384	11/1986	Japan	.....	416/132 A
02023730	1/1980	United Kingdom	.....	416/247 R

OTHER PUBLICATIONS

Hong Kong Enterprise, vol. 6, 1982, p. 8, Industrial Pedestal Fan, right side of page.

Lakewood Engineering & Mfg. Co., Advertising Flyer, 15" 3-Speed Pedestal Oscillating Fan.

Grainger's Spring '86 Catalog, p. 1281, Adjustable Floor Pedestal Circulator, left bottom side of page, TJ776.G 743.

Tatung Fan Cat., p. 1, Standing Floor Fans, SLE-12, SLE 16, middle of page.

Winnower Fan Co. Inc., Advertising Flyer, Floor Oscillator Fan, left side of page.

Lakewood Engineering and Manufacturing Co. Catalogue, p. 5, Pedestal Oscillating Fans, bottom left and top right sides of page.

Primary Examiner—Wallace R. Burke

Assistant Examiner—Lisa Lichtenstein

Attorney, Agent, or Firm—John E. Toupal; Harold G. Jarcho

[57] CLAIM

The ornamental design for a portable electric fan, as shown.

DESCRIPTION

FIG. 1 is a front elevational view of a portable electrical fan showing my new design;

FIG. 2 is a right side elevational view thereof;

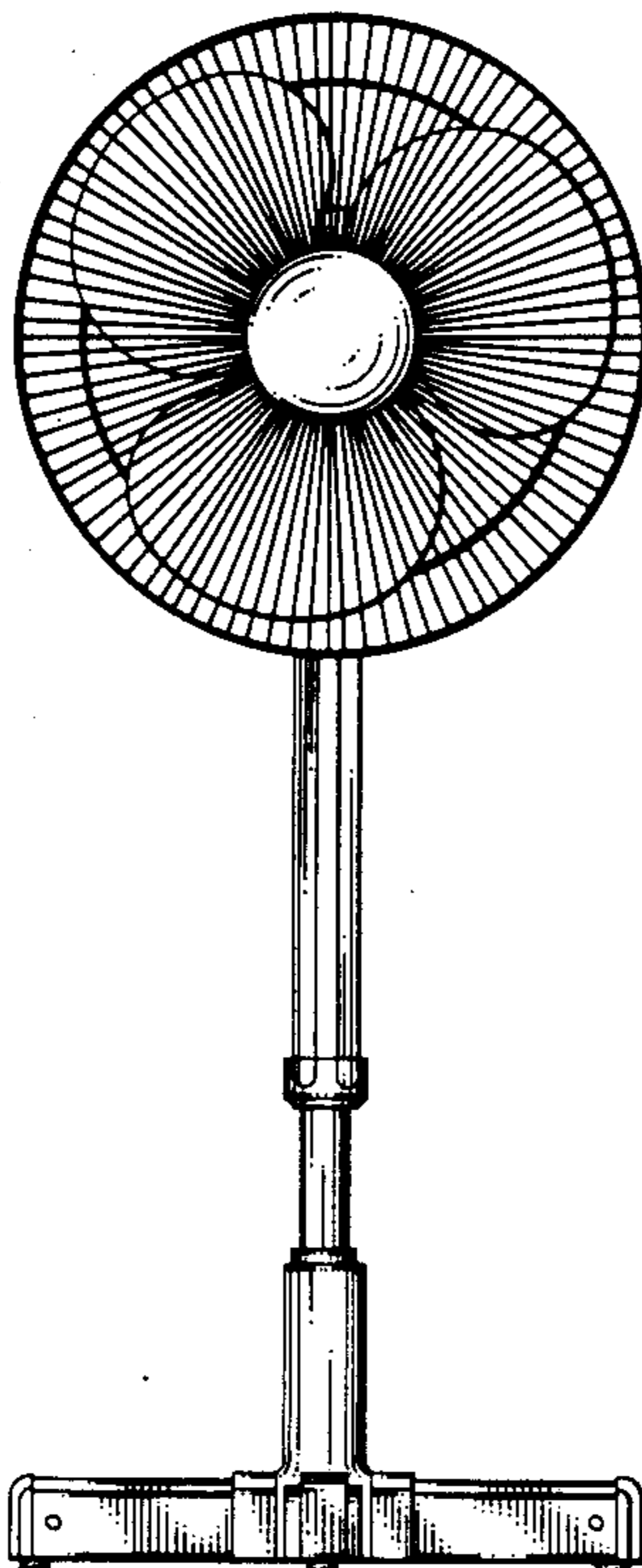
FIG. 3 is a top plan view thereof;

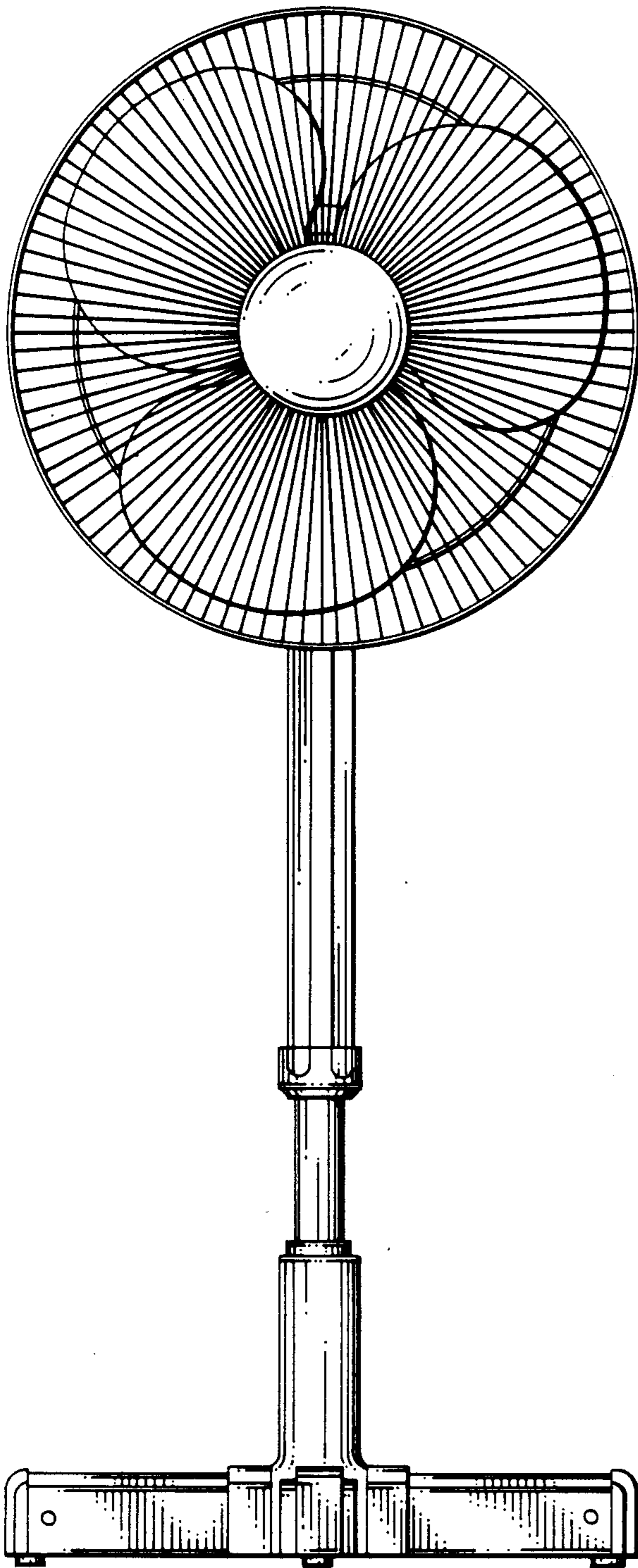
FIG. 4 is a rear elevational view thereof;

FIG. 5 is a bottom plan view thereof; and

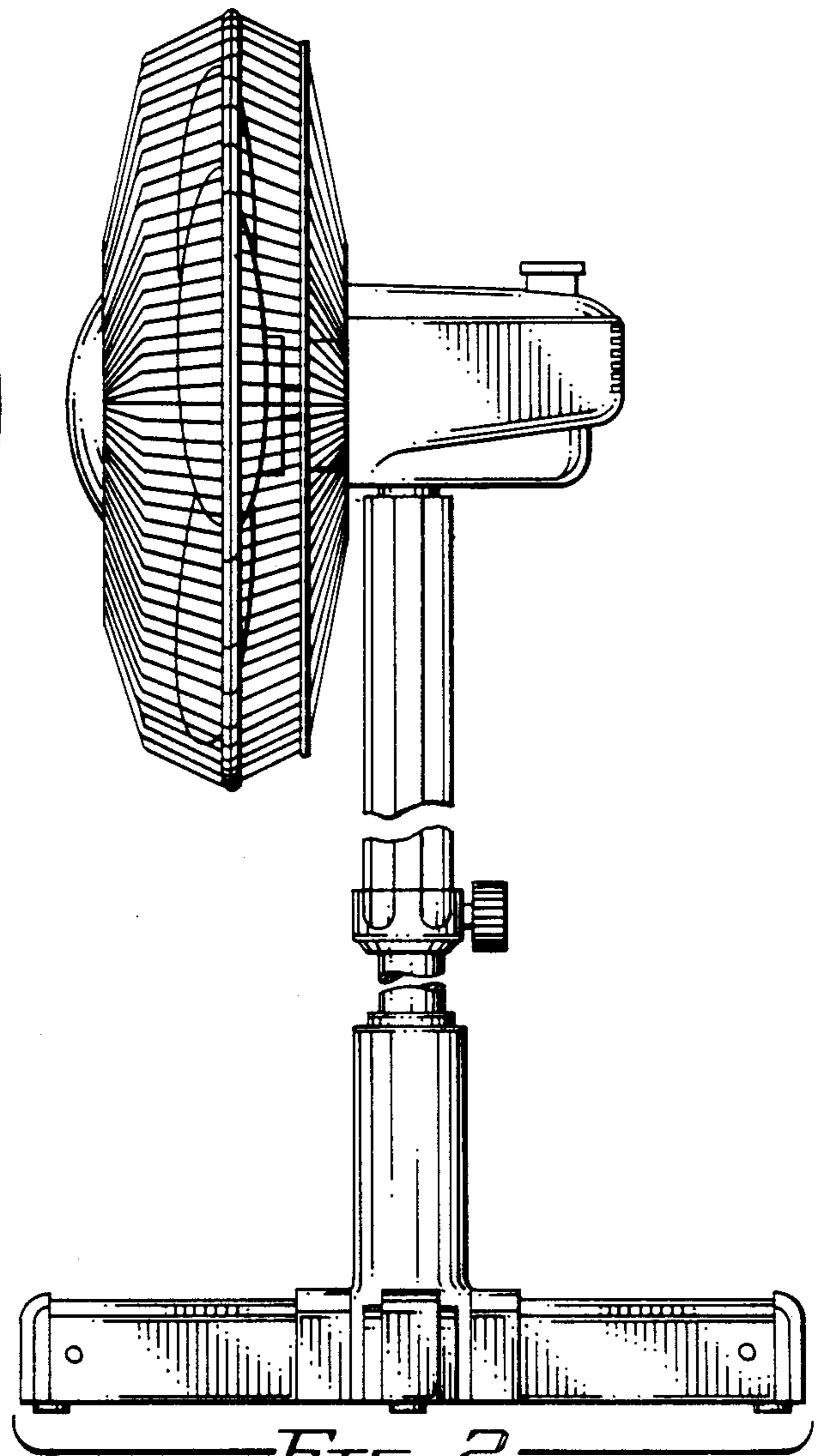
FIG. 6 is a left side elevational view thereof.

The support for the fan has been broken away in the middle in FIGS. 2 and 6, for convenience of illustration.

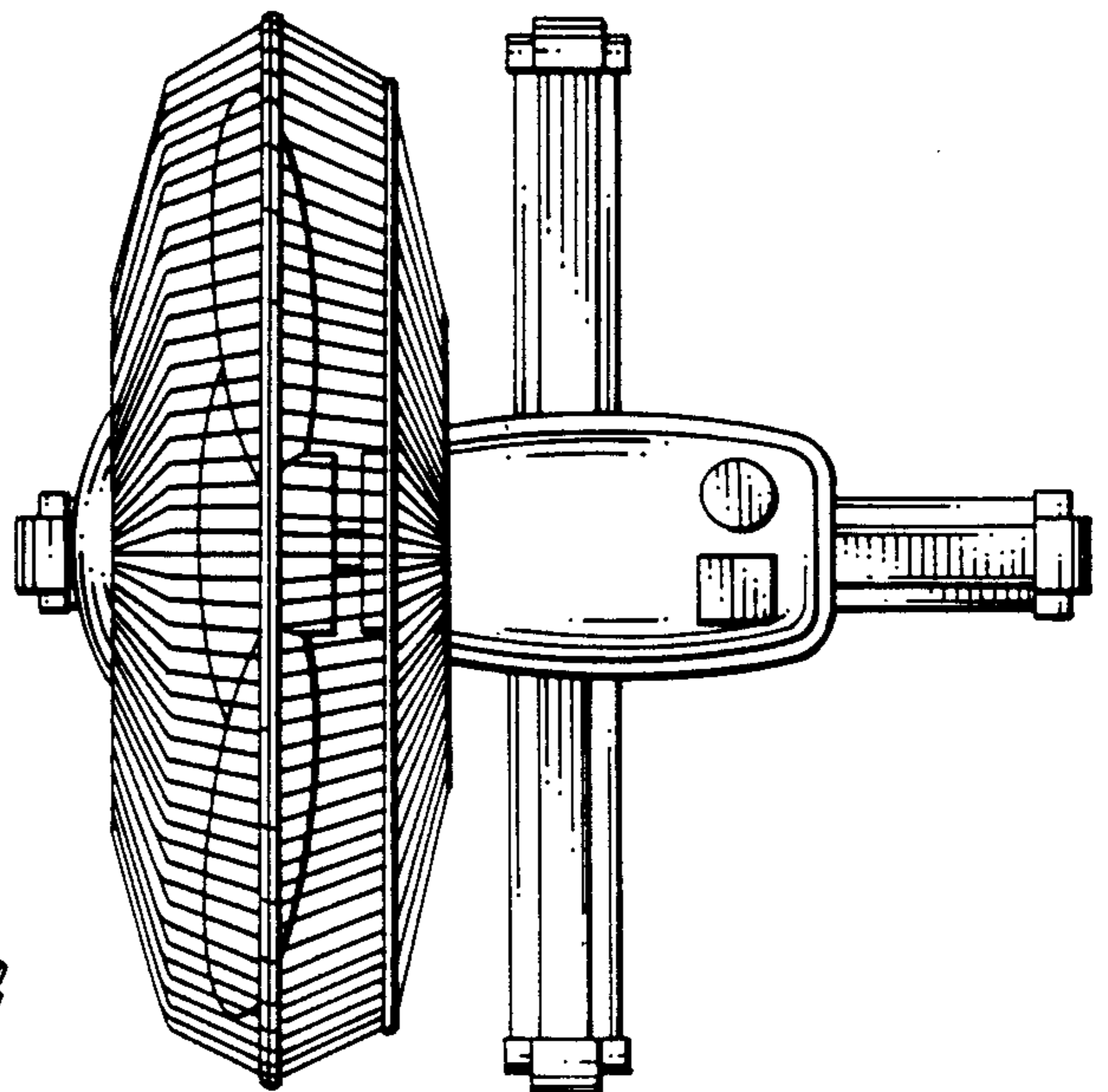




*FIG. 1*



*FIG. 2*



*FIG. 3*

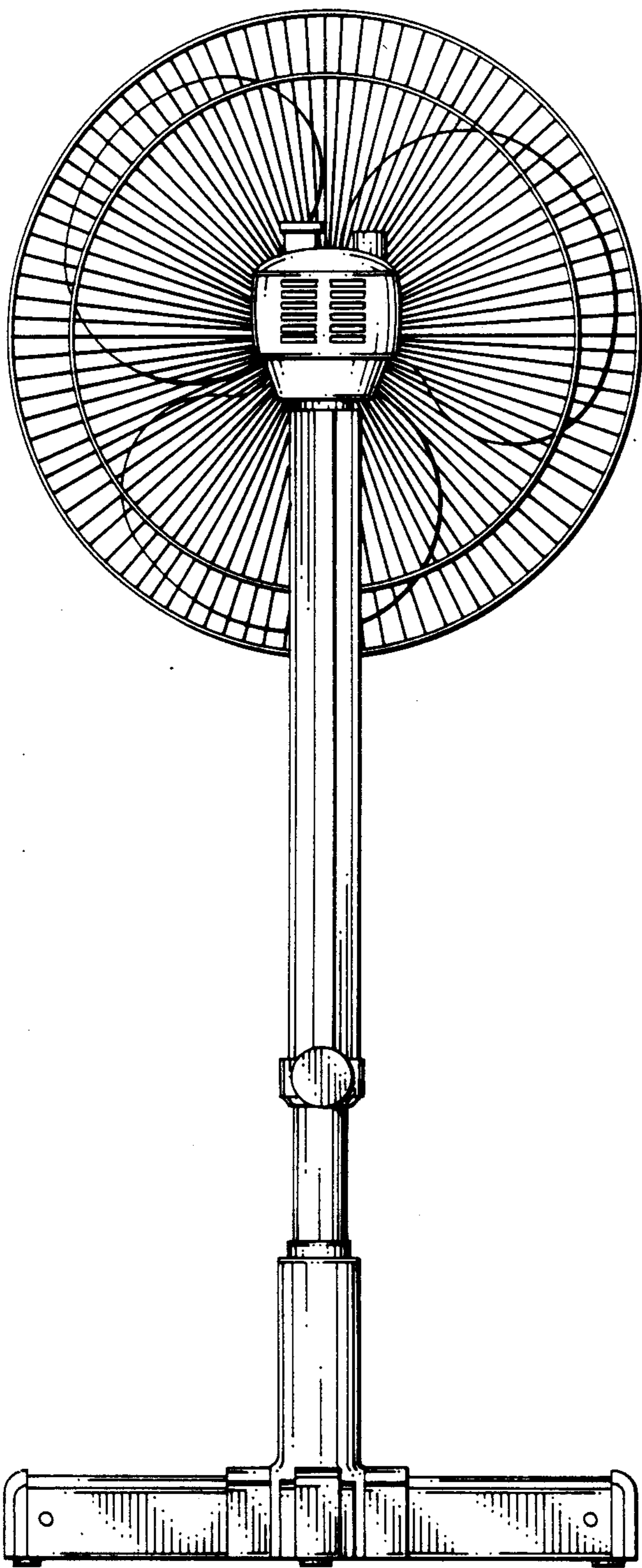


FIG. 4

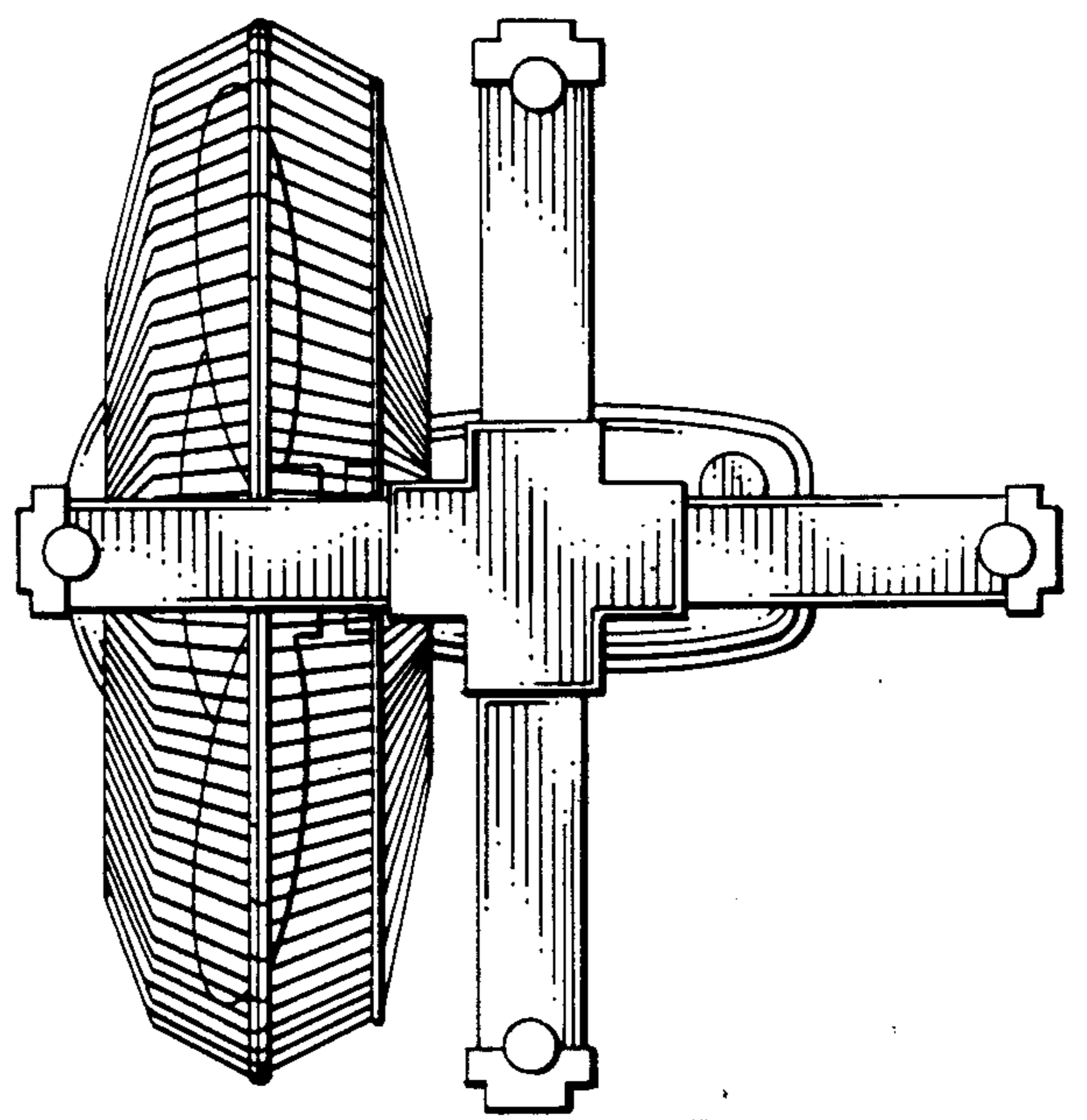


FIG. 5

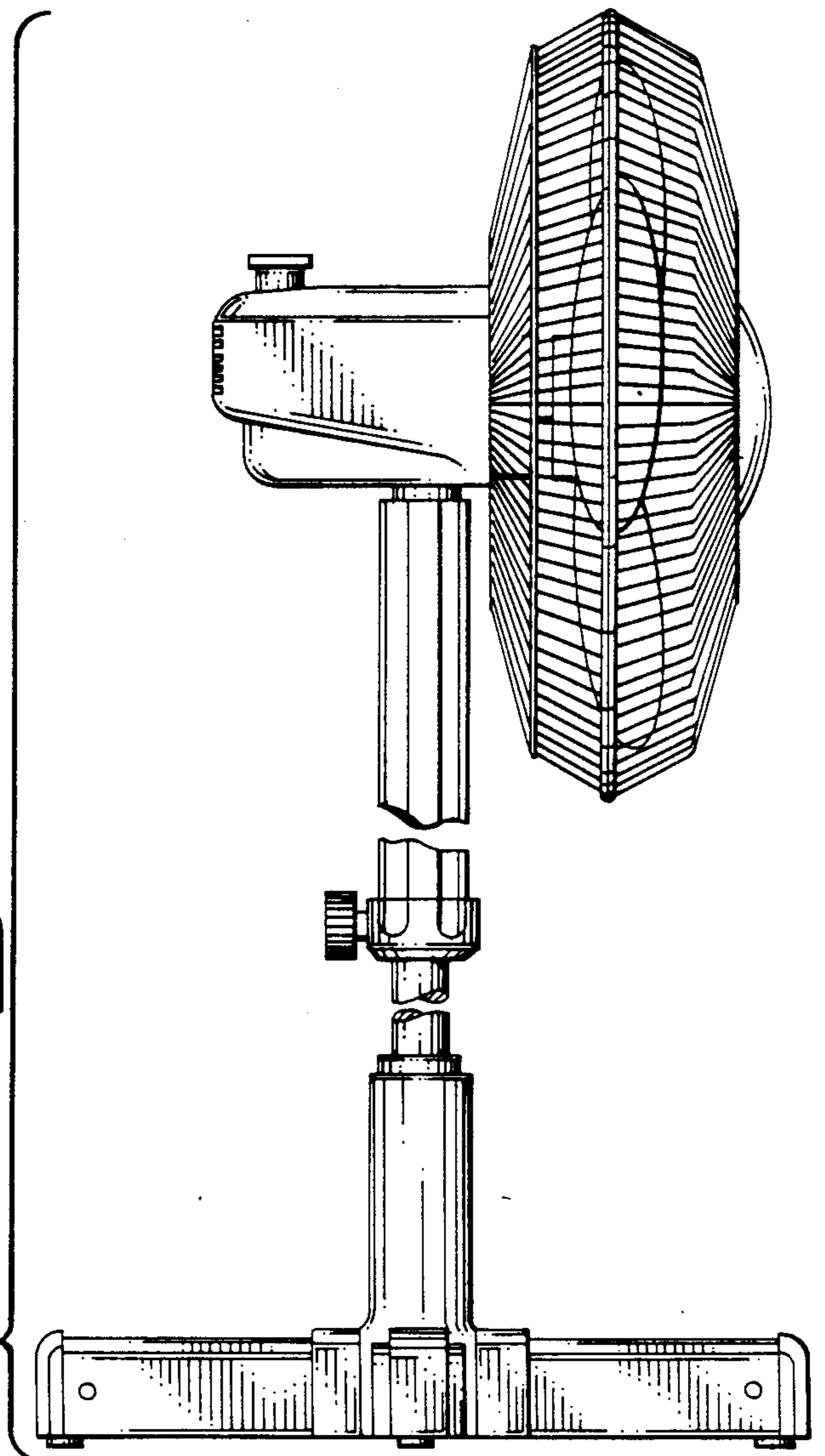


FIG. 6