

[54] **CEILING FAN**

[76] **Inventor: Fong S. Yen, Floor 7, Alley No. 147, Ta An Road, Section 1, Taipei, Taiwan**

[\*\*] **Term: 14 Years**

[21] **Appl. No.: 432,398**

[22] **Filed: Nov. 9, 1989**

[52] **U.S. Cl. .... D23/377; D26/59**

[58] **Field of Search ..... D23/377, 385, 379, 413, D23/411; 362/96; 416/5**

[56] **References Cited**

**U.S. PATENT DOCUMENTS**

D. 270,942 10/1983 McCain ..... D23/379  
477,614 6/1892 Tuerk, Jr. .... 416/5  
4,342,073 7/1982 Ranten ..... D23/377

**OTHER PUBLICATIONS**

Casablanca Fan Co. Advertising Flyer, p. 2, Halogen Star Ceiling Fans Models 220N16T, 220211T, and 2202216T.

Casablanca Fan Co. Cat., p. 2, Light Kit #KG1A-2, top right side of page.

Sale brochure from Homestead Products, ©1987.

*Primary Examiner*—James M. Gandy

*Assistant Examiner*—Lisa Lichtenstein

*Attorney, Agent, or Firm*—Knobbe, Martens, Olson & Bear

[57] **CLAIM**

The ornamental design for a ceiling fan, as shown and described.

**DESCRIPTION**

FIG. 1 is a perspective view of a ceiling fan showing my new design;

FIG. 2 is an enlarged top plan view thereof;

FIG. 3 is an enlarged side elevation view thereof;

FIG. 4 is an enlarged bottom plan view thereof;

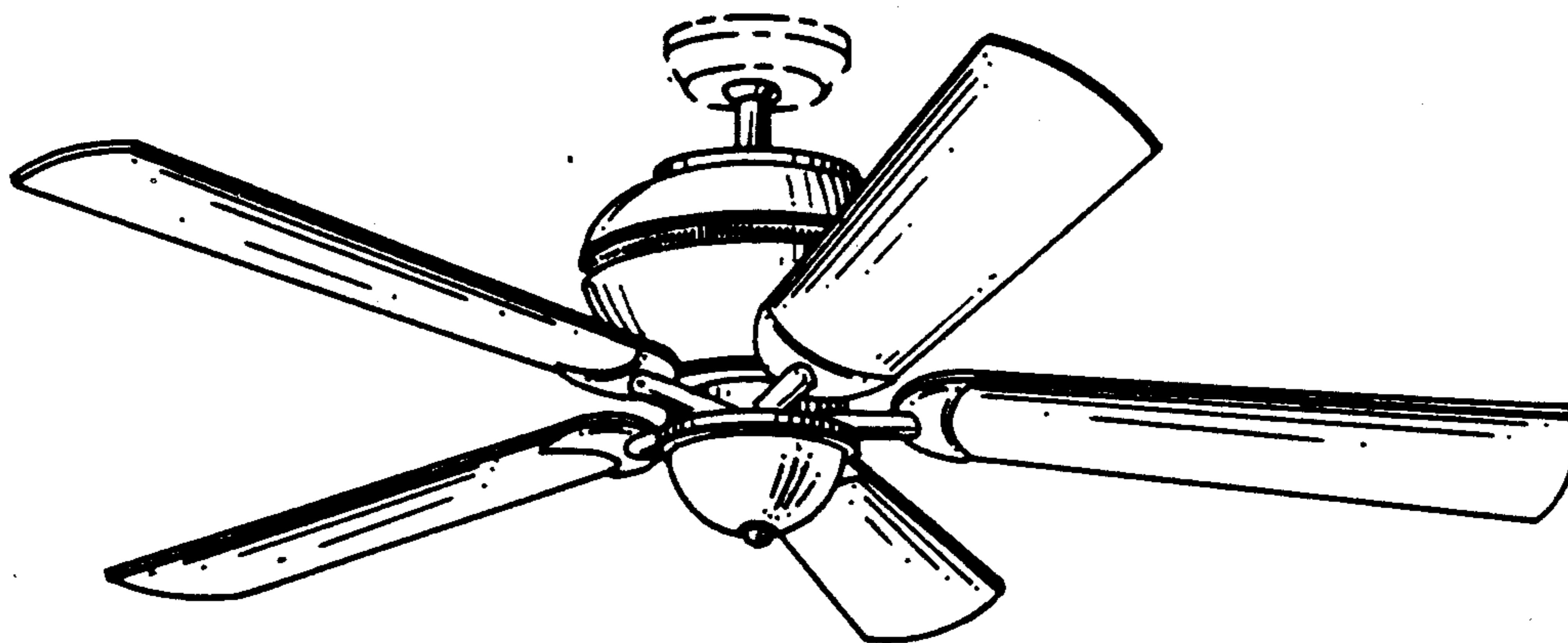
FIG. 5 is a perspective view of a ceiling fan showing a second embodiment of my new design;

FIG. 6 is an enlarged top plan view of FIG. 5;

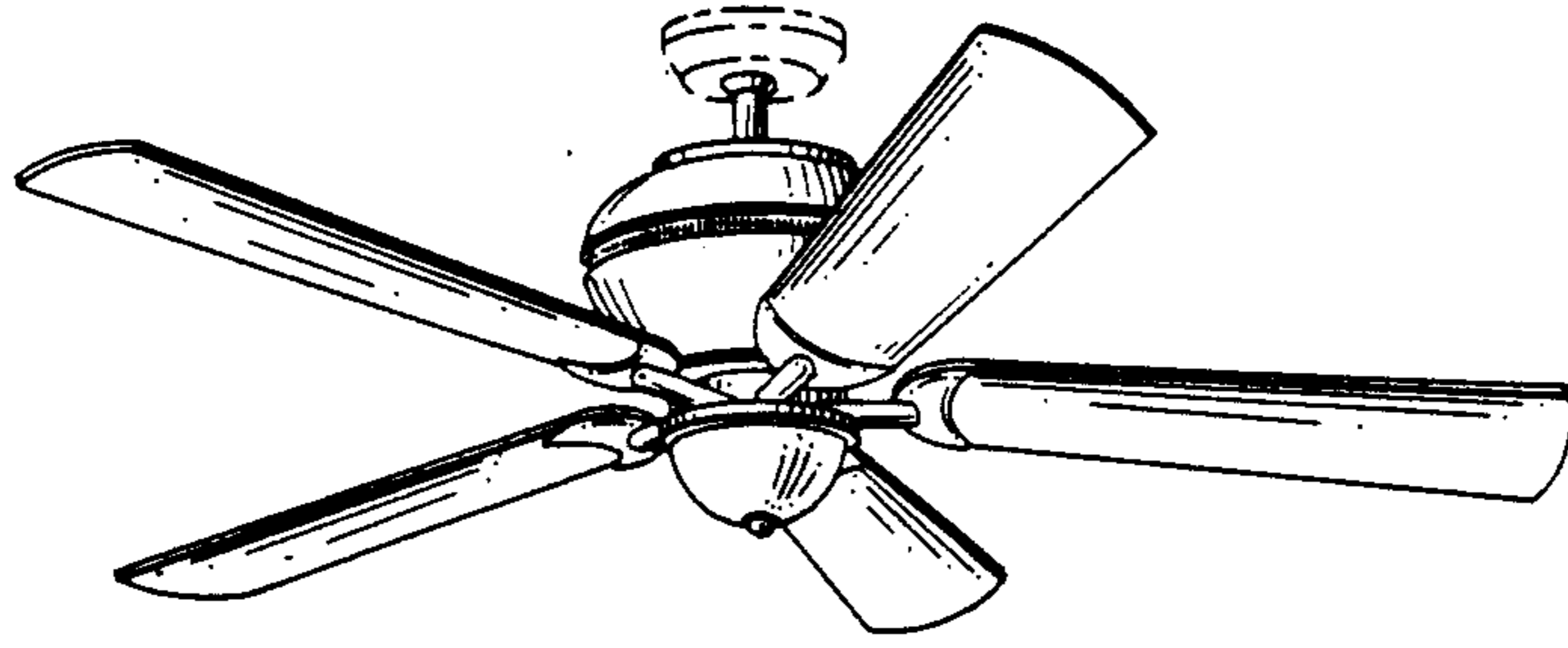
FIG. 7 is an enlarged side elevation view of FIG. 5; and

FIG. 8 is an enlarged bottom plan view of FIG. 5.

The broken-line showing of a mounting base in FIGS. 1 and 3, is for illustrative purposes only and forms no part of the claimed design.



*FIG. 1*



*FIG. 2*

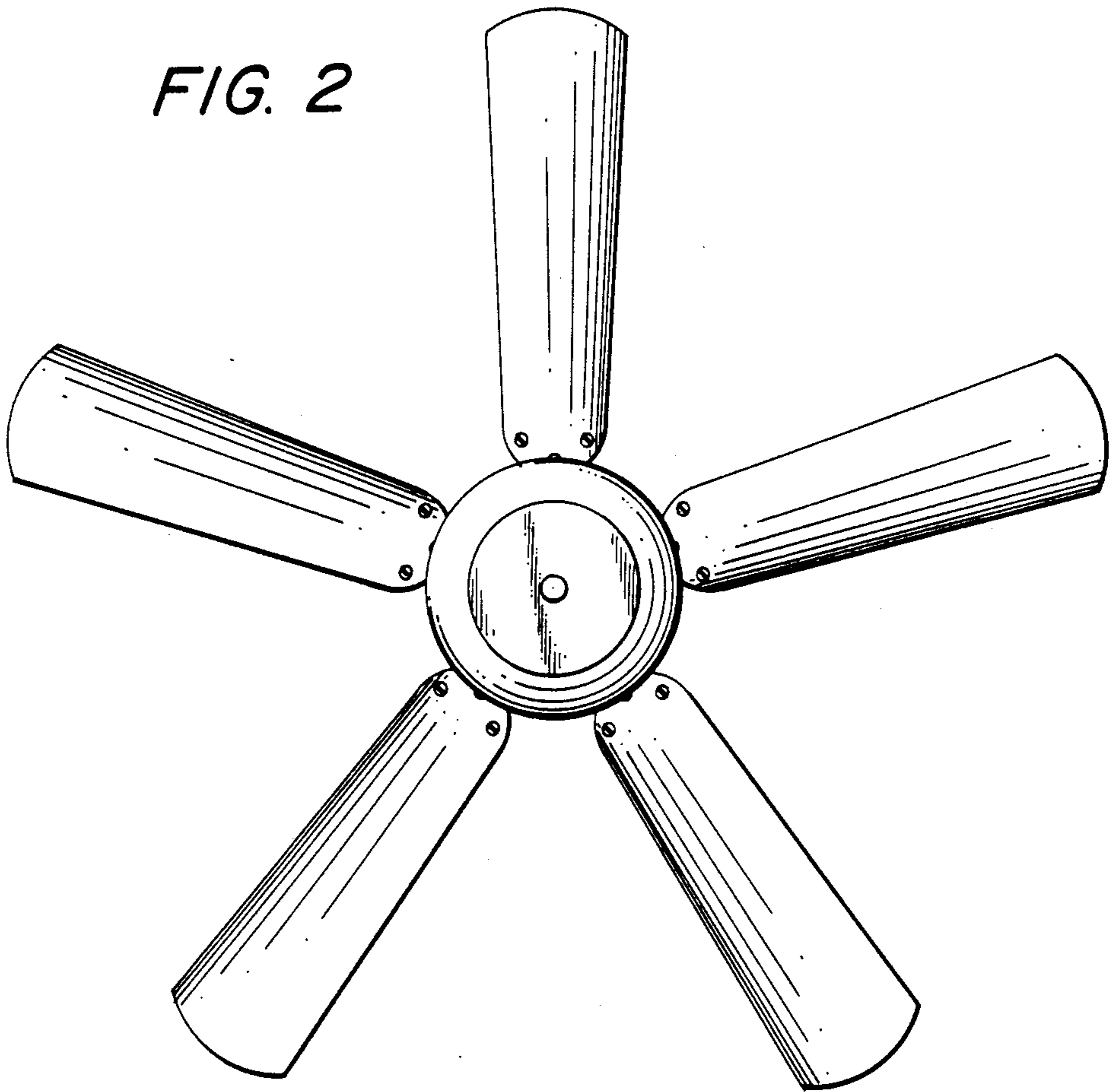


FIG. 3.

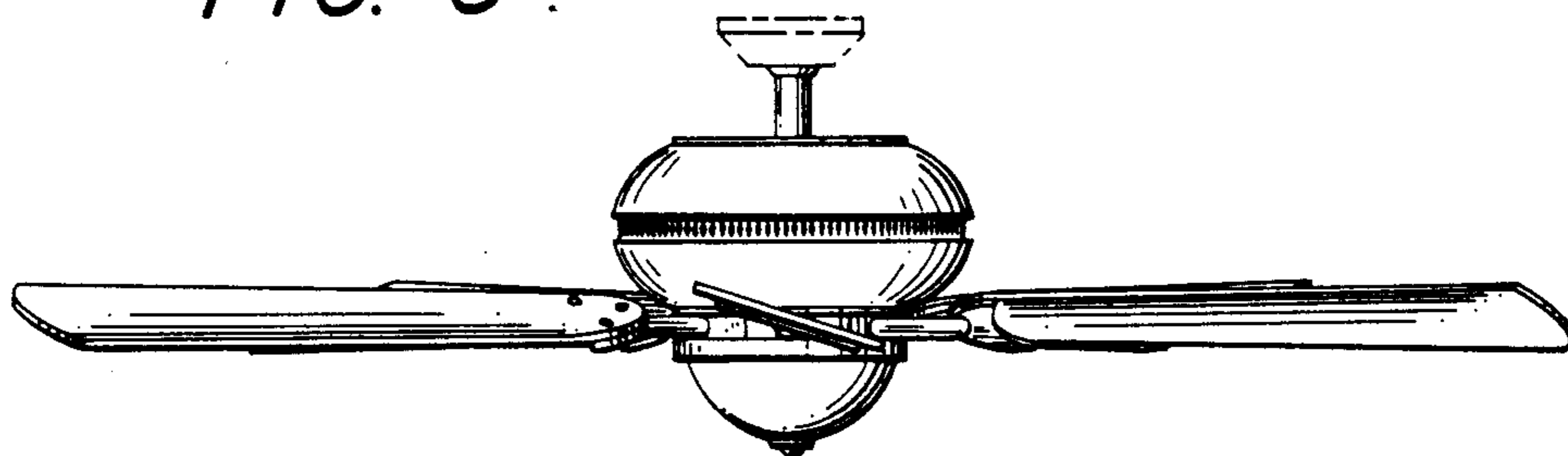


FIG. 4

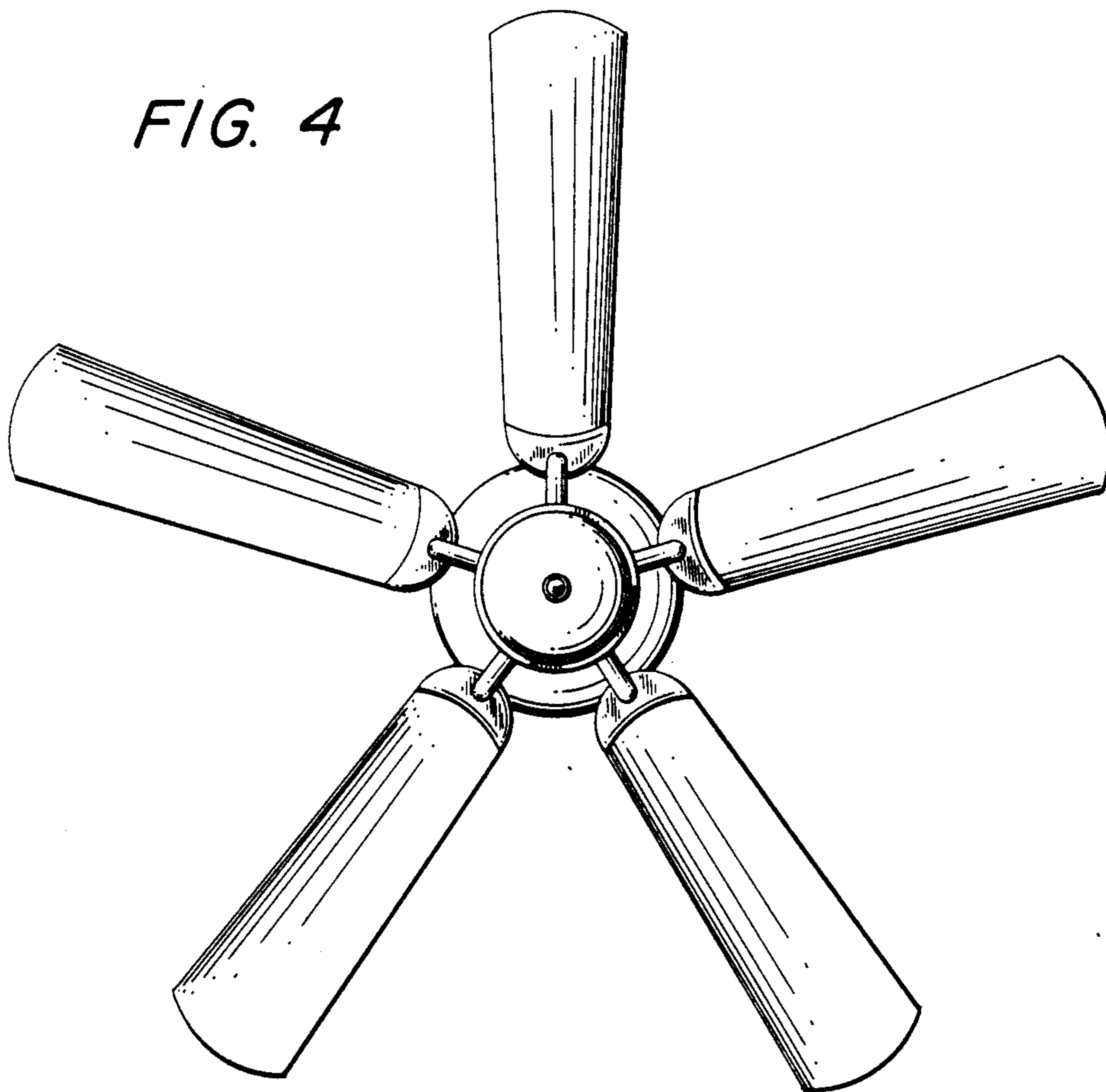


FIG. 5

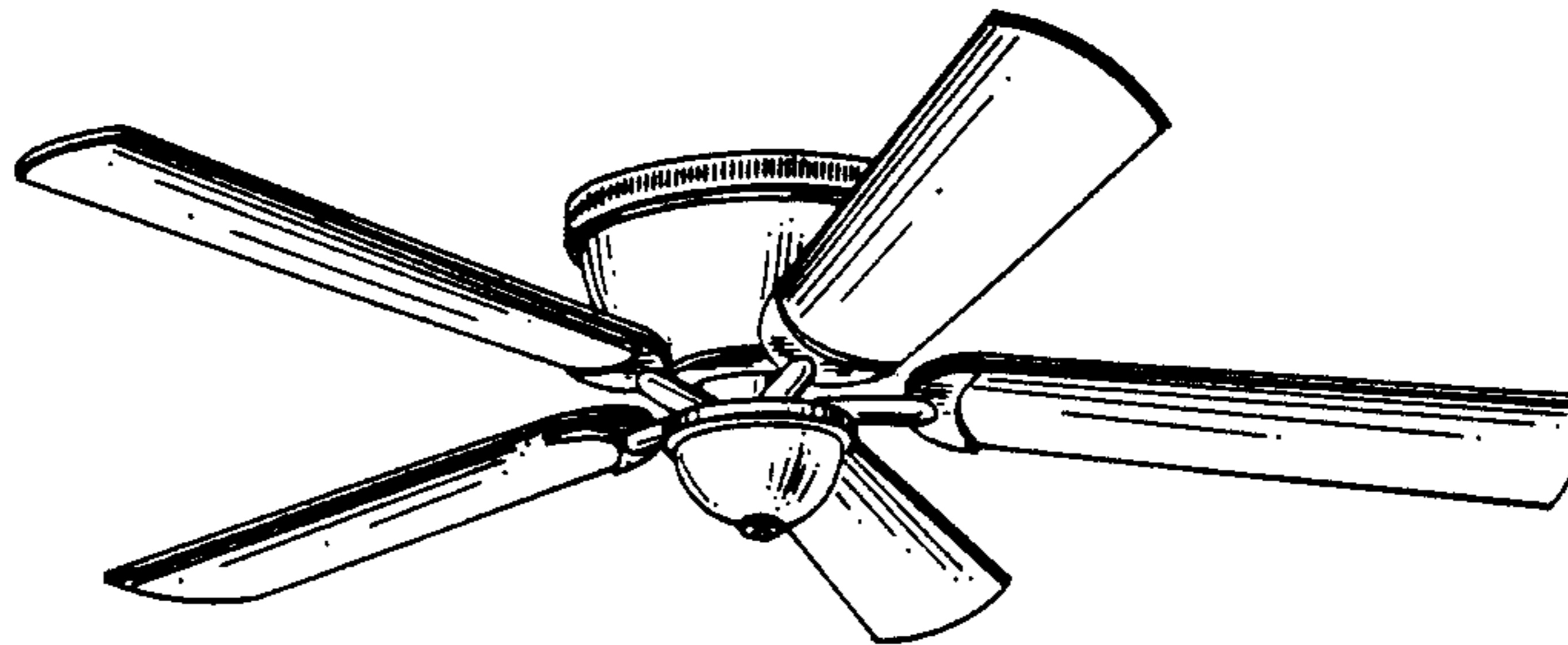


FIG. 6

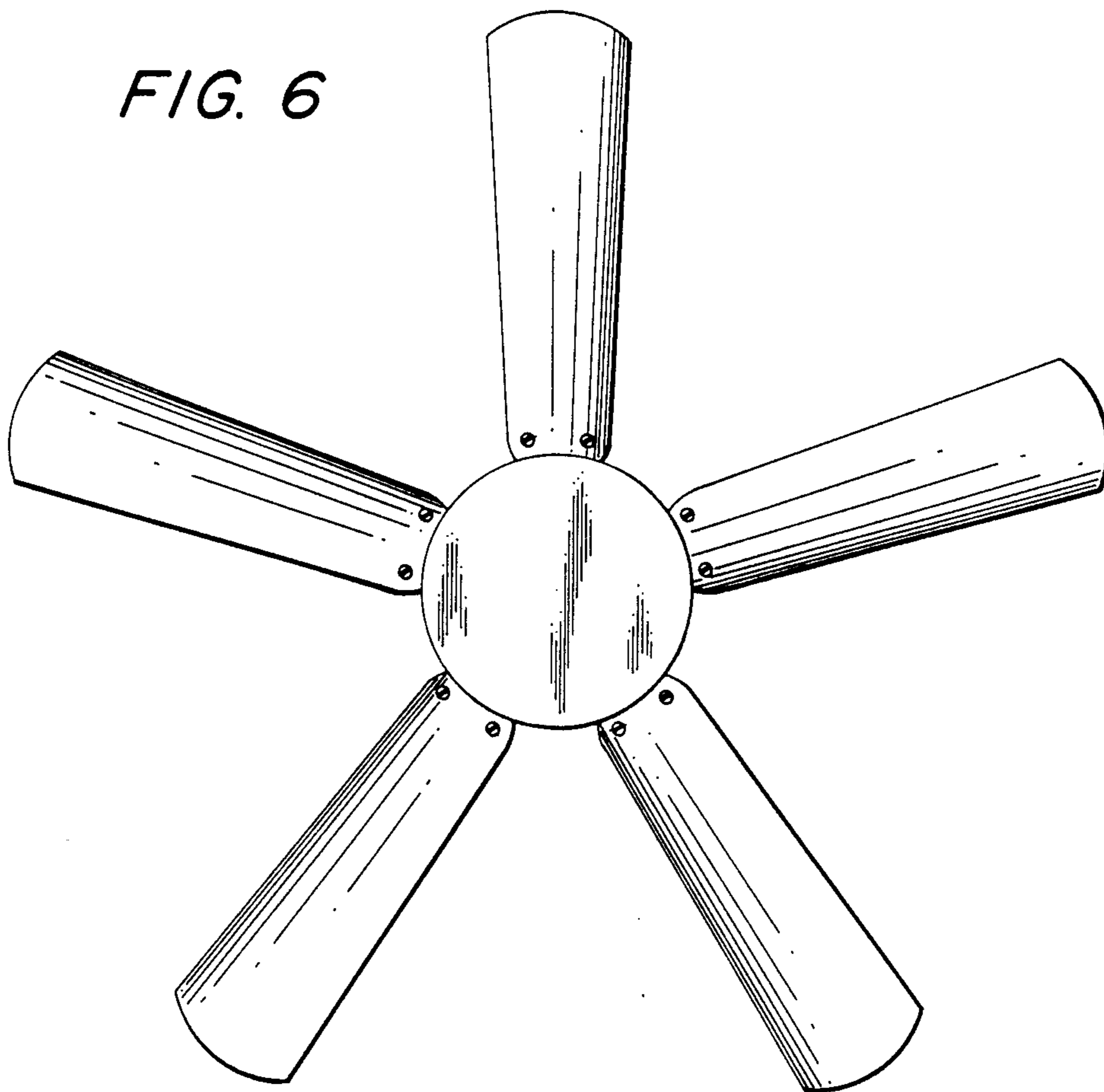


FIG. 7

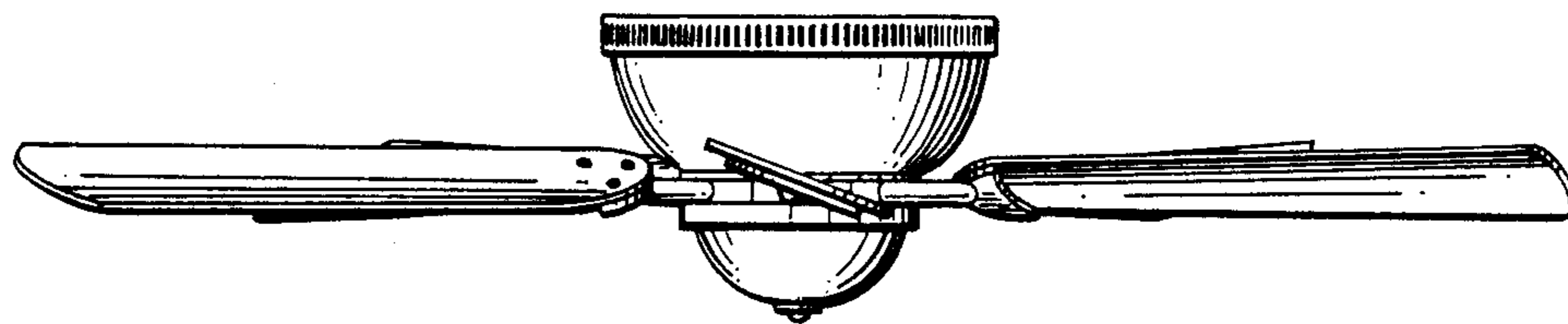


FIG. 8

