

[54] **ELECTRIC HOT PLATE FOR HEATING DEODORANT TABLETS FOR INSERTION IN THE ELECTRIC LIGHTER OUTLET OF A MOTORVEHICLE OR THE LIKE**

2,733,333 1/1956 Peters ..... D23/366  
4,251,714 2/1981 Zobebe ..... 219/275  
4,808,347 2/1989 Dawn ..... 261/DIG. 65

[75] Inventor: Antonio Montanari, Bresso, Italy

Primary Examiner—James M. Gandy  
Assistant Examiner—Lisa Lichtenstein  
Attorney, Agent, or Firm—Venable, Baetjer & Howard

[73] Assignee: Servizi Autostradali S.r.l., Italy

[\*\*] Term: 14 Years

[57] CLAIM

[21] Appl. No.: 208,024

The ornamental design for an electric hot plate for heating deodorant tablets for insertion in the electric lighter outlet of a motorvehicle or the like, as shown and described.

[22] Filed: Jun. 17, 1988

[30] Foreign Application Priority Data

Dec. 18, 1987 [IT] Italy ..... 22911/87[U]

[52] U.S. Cl. .... D23/366

[58] Field of Search ..... D23/366, 314, 386, 499;  
D7/367; 219/271, 272, 274, 275, 276, 260;  
261/DIG. 65, 142

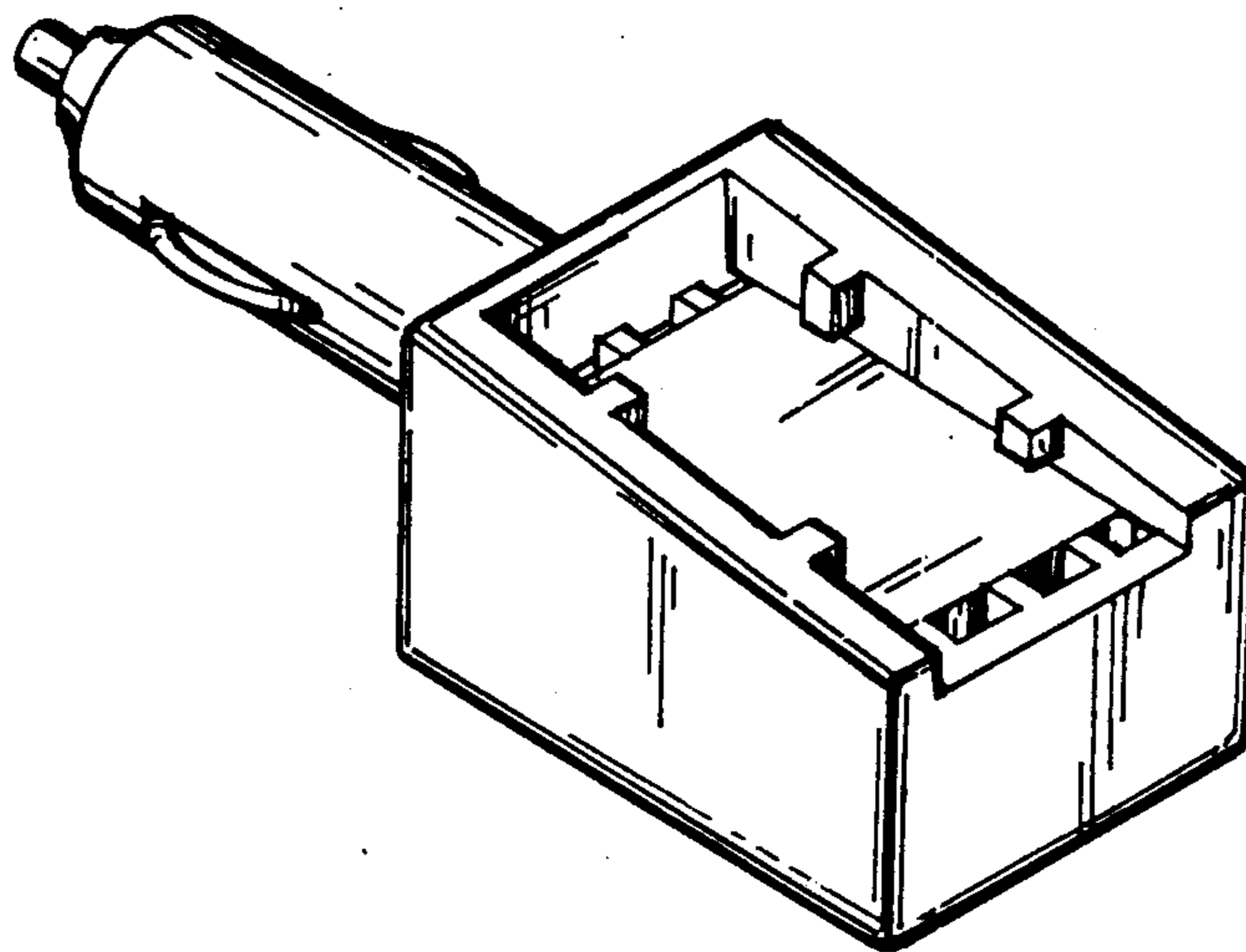
DESCRIPTION

[56] References Cited

U.S. PATENT DOCUMENTS

D. 159,407 7/1950 Costello ..... D23/366  
1,317,899 10/1919 Shepherd ..... 219/275

FIG. 1 is a top front perspective view of an electric hot plate for heating deodorant tablets for insertion in the electric lighter outlet of a motorvehicle or the like, showing my new design;  
FIG. 2 is a side elevation view thereof, the opposite side being a mirror image of that shown;  
FIG. 3 is a top plan view thereof;  
FIG. 4 is a bottom plan view thereof;  
FIG. 5 is a front elevation view thereof; and  
FIG. 6 is a rear elevation view thereof.



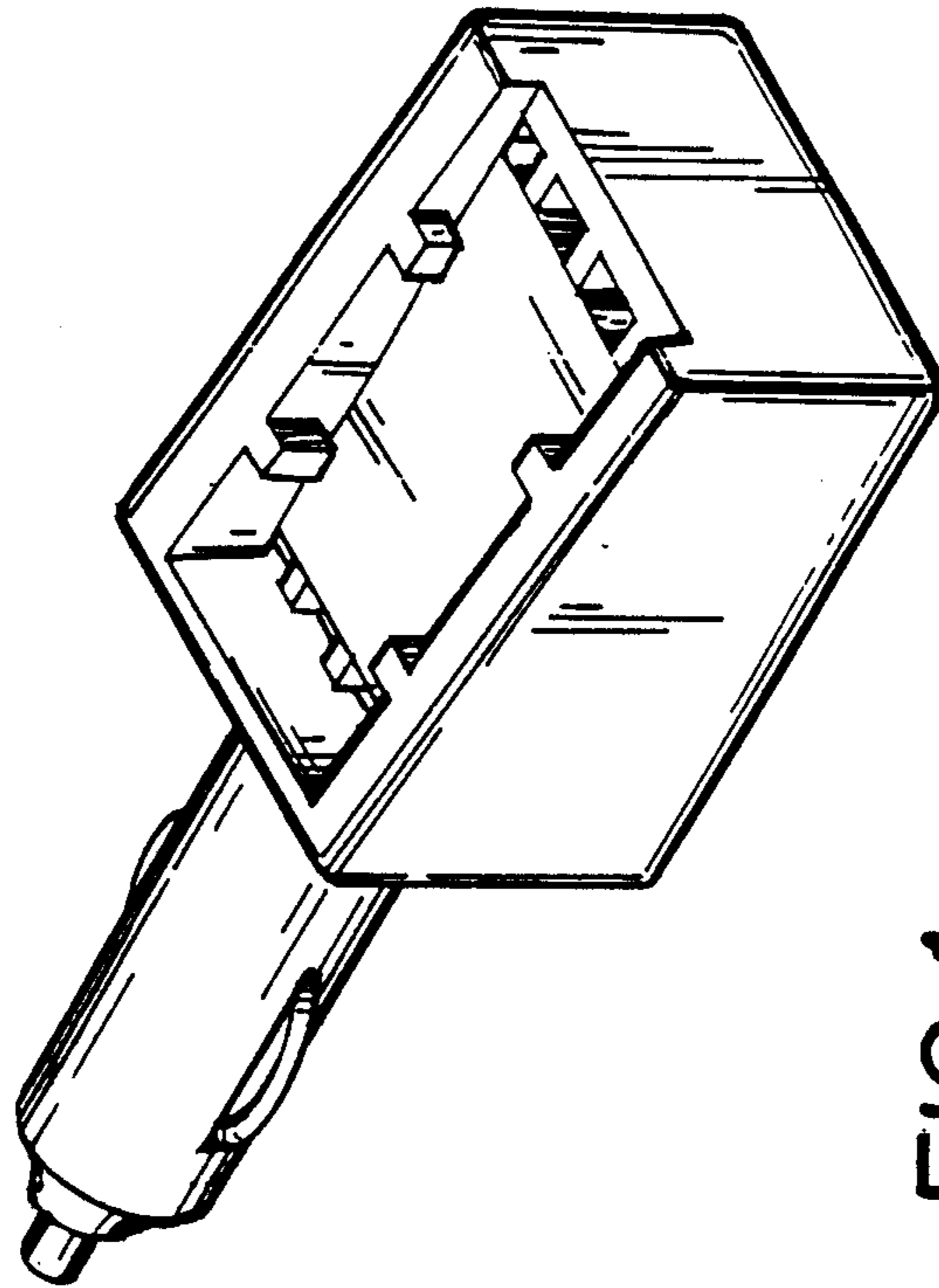


FIG.1

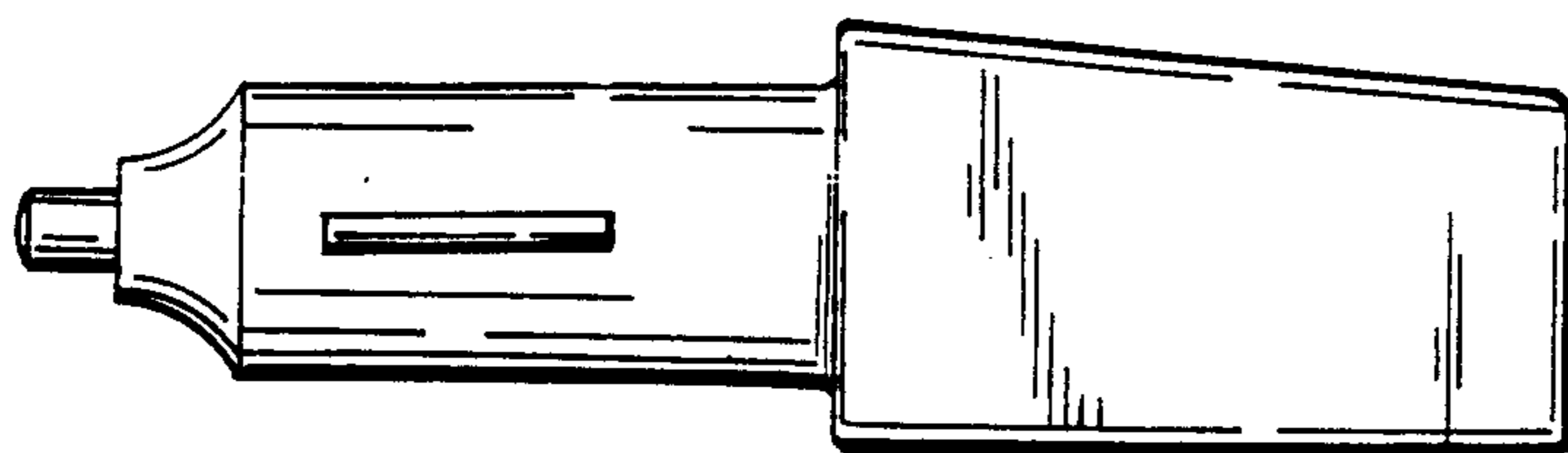


FIG. 2

FIG. 3

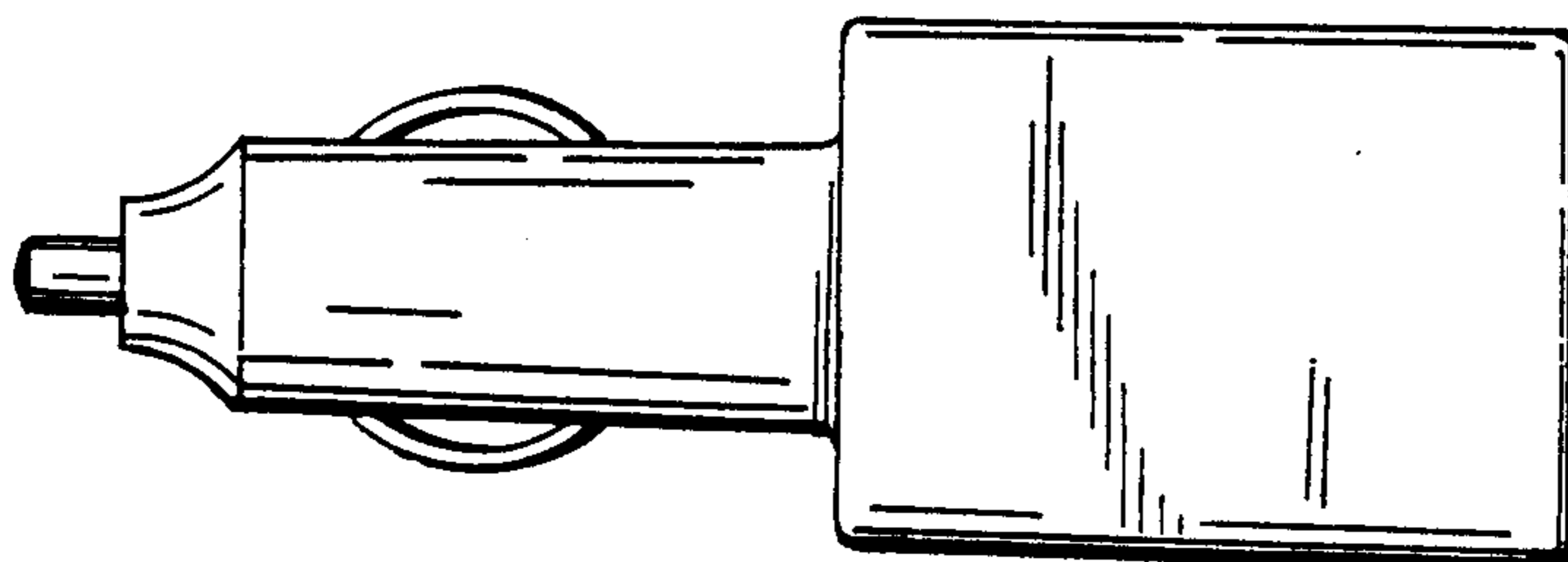
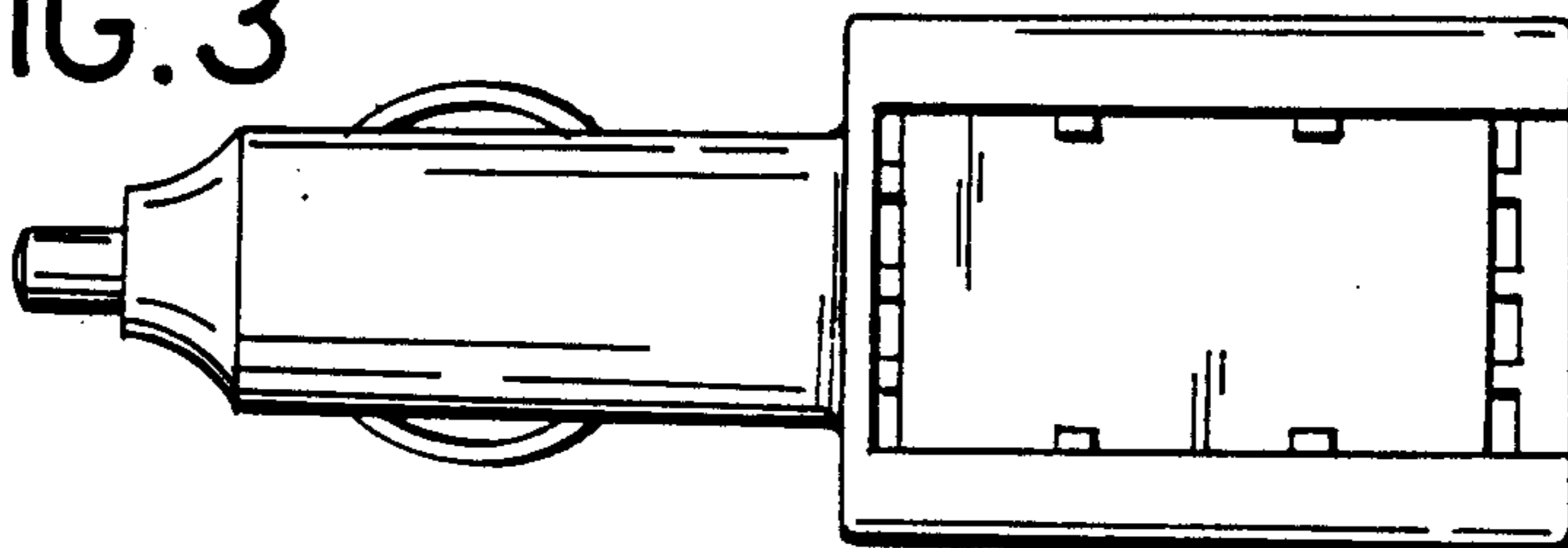


FIG. 4

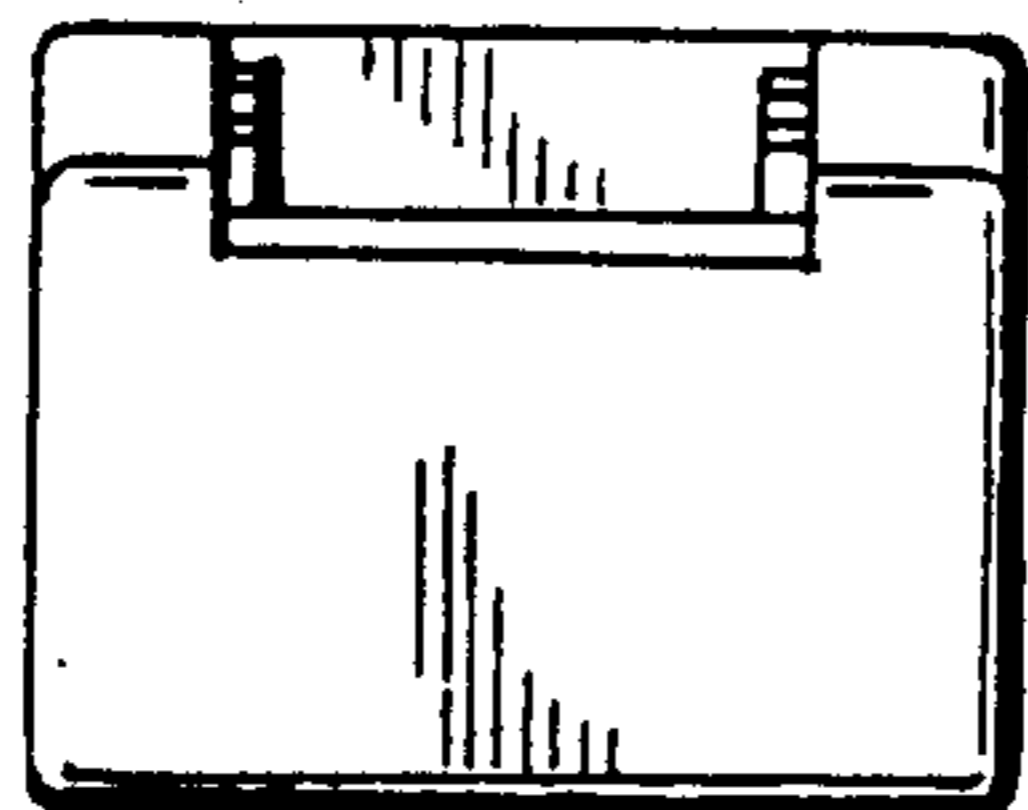


FIG. 5

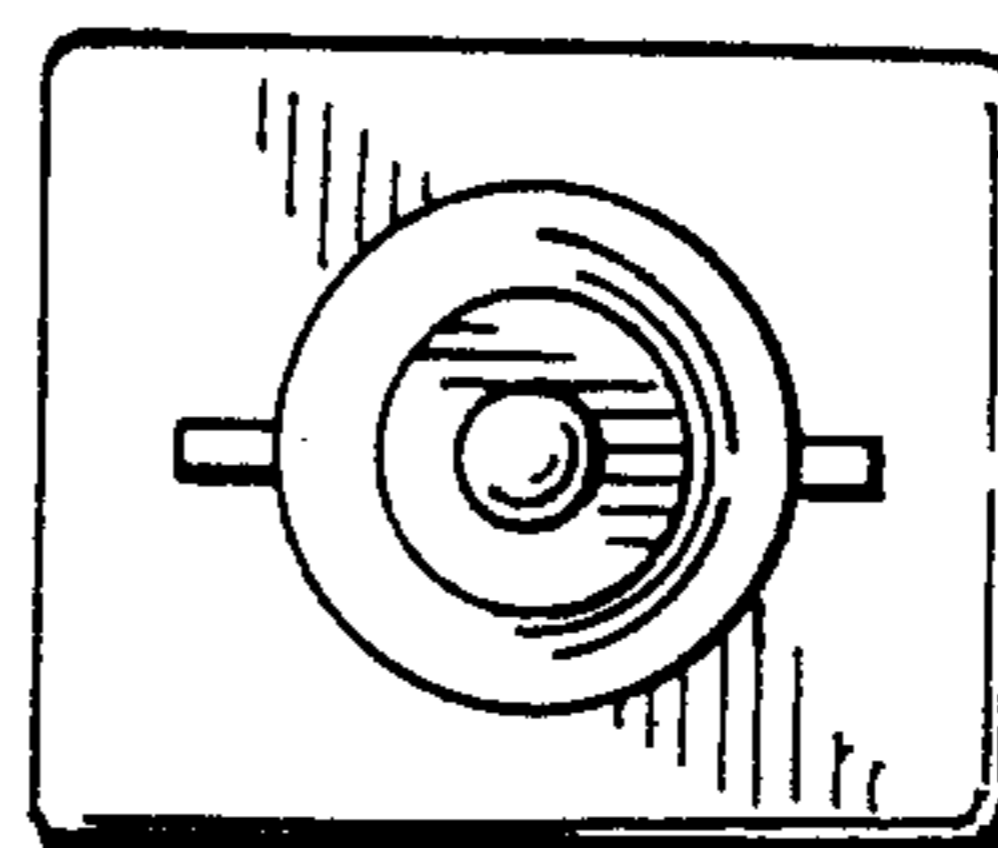


FIG. 6