

United States Patent [19]

Knapp

[11] **Patent Number: Des. 314,041**

[45] **Date of Patent: ** Jan. 22, 1991**

[54] **FAUCET**

[76] **Inventor: Alfons Knapp, Bleicherstrasse 3, Biberach/Riss, Fed. Rep. of Germany**

[**] **Term: 14 Years**

[21] **Appl. No.: 57,436**

[22] **Filed: Jun. 2, 1987**

[30] **Foreign Application Priority Data**

Dec. 11, 1986 [IT] Italy 54185/86[U]

[52] **U.S. Cl. D23/241**

[58] **Field of Search D23/238-243, D23/255, 256, 257; 4/191, 192; 137/801**

[56] **References Cited**

U.S. PATENT DOCUMENTS

D. 243,240 2/1977 Dreibelbis D23/241

D. 281,097 10/1985 Arnold et al. D23/241
D. 288,835 3/1987 Yost D23/241

FOREIGN PATENT DOCUMENTS

39852 12/1985 Italy .

Primary Examiner—A. Hugo Word
Assistant Examiner—Stella M. Reid
Attorney, Agent, or Firm—Young & Thompson

[57] CLAIM

The ornamental design for a faucet, as shown.

DESCRIPTION

FIG. 1 is a front elevational view of a faucet showing my new design;

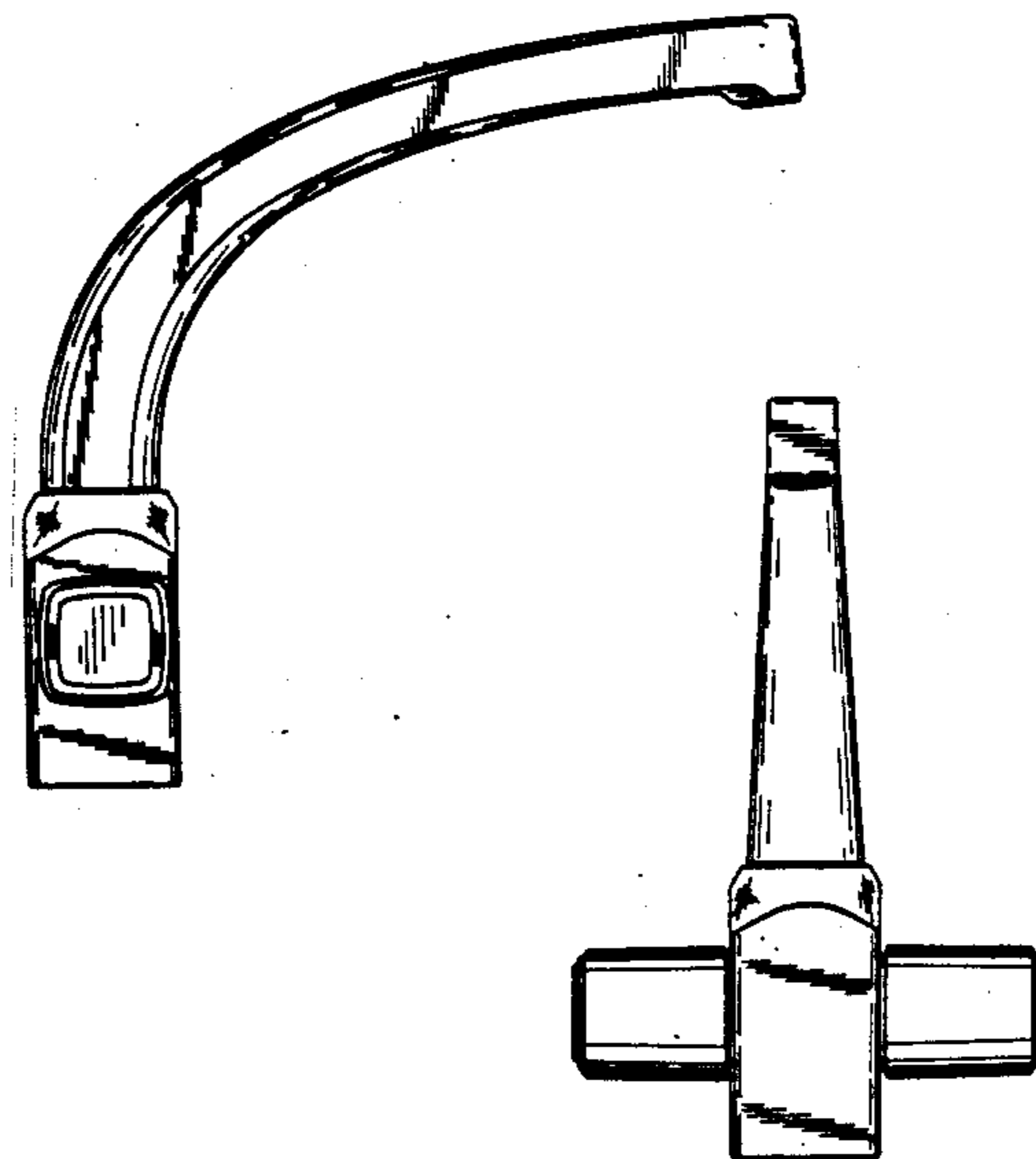
FIG. 2 is a rear elevational view thereof;

FIG. 3 is a left side elevational view thereof;

FIG. 4 is a right side elevational view thereof;

FIG. 5 is a top plan view thereof; and

FIG. 6 is a bottom plan view thereof.



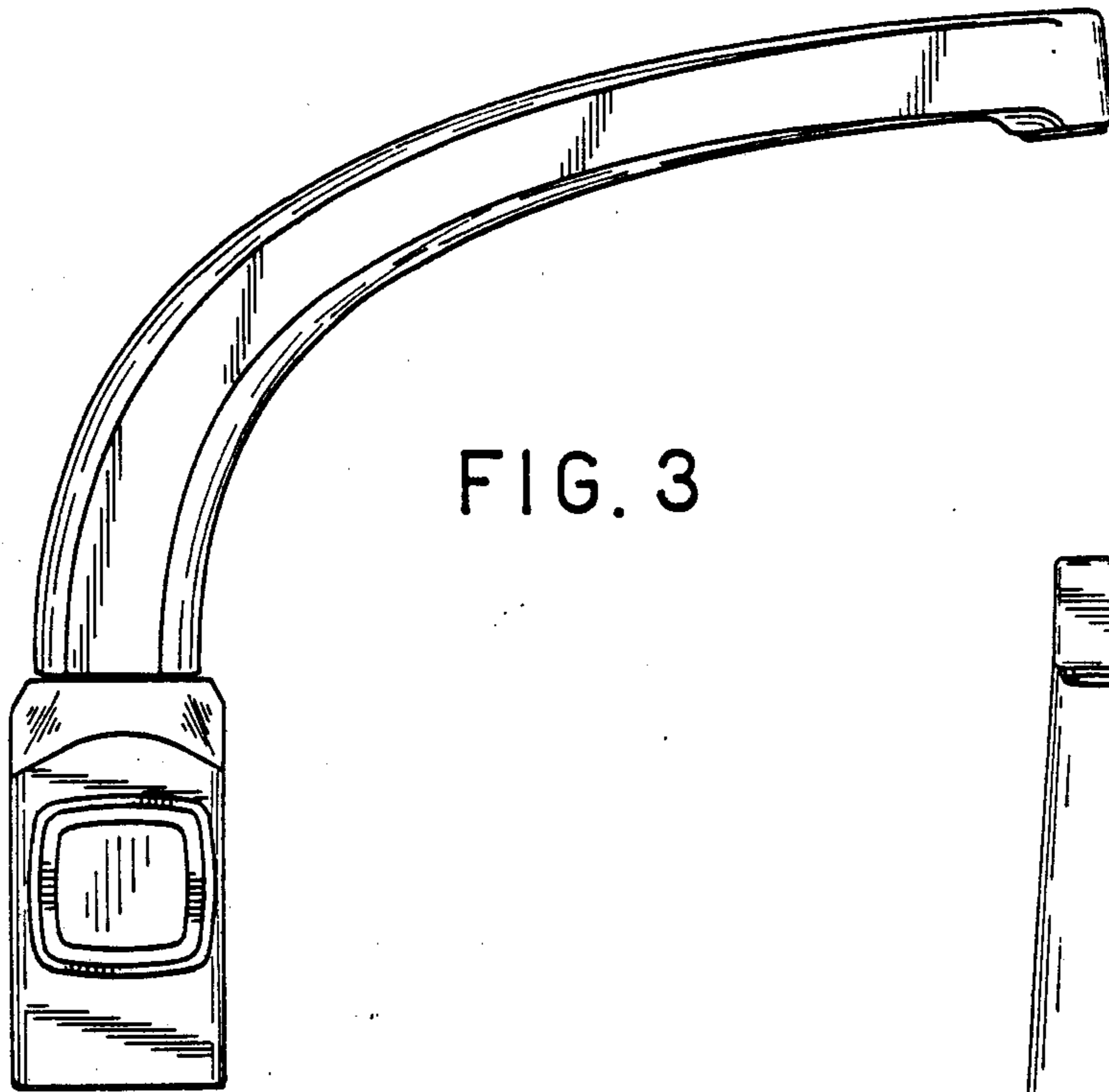


FIG. 3

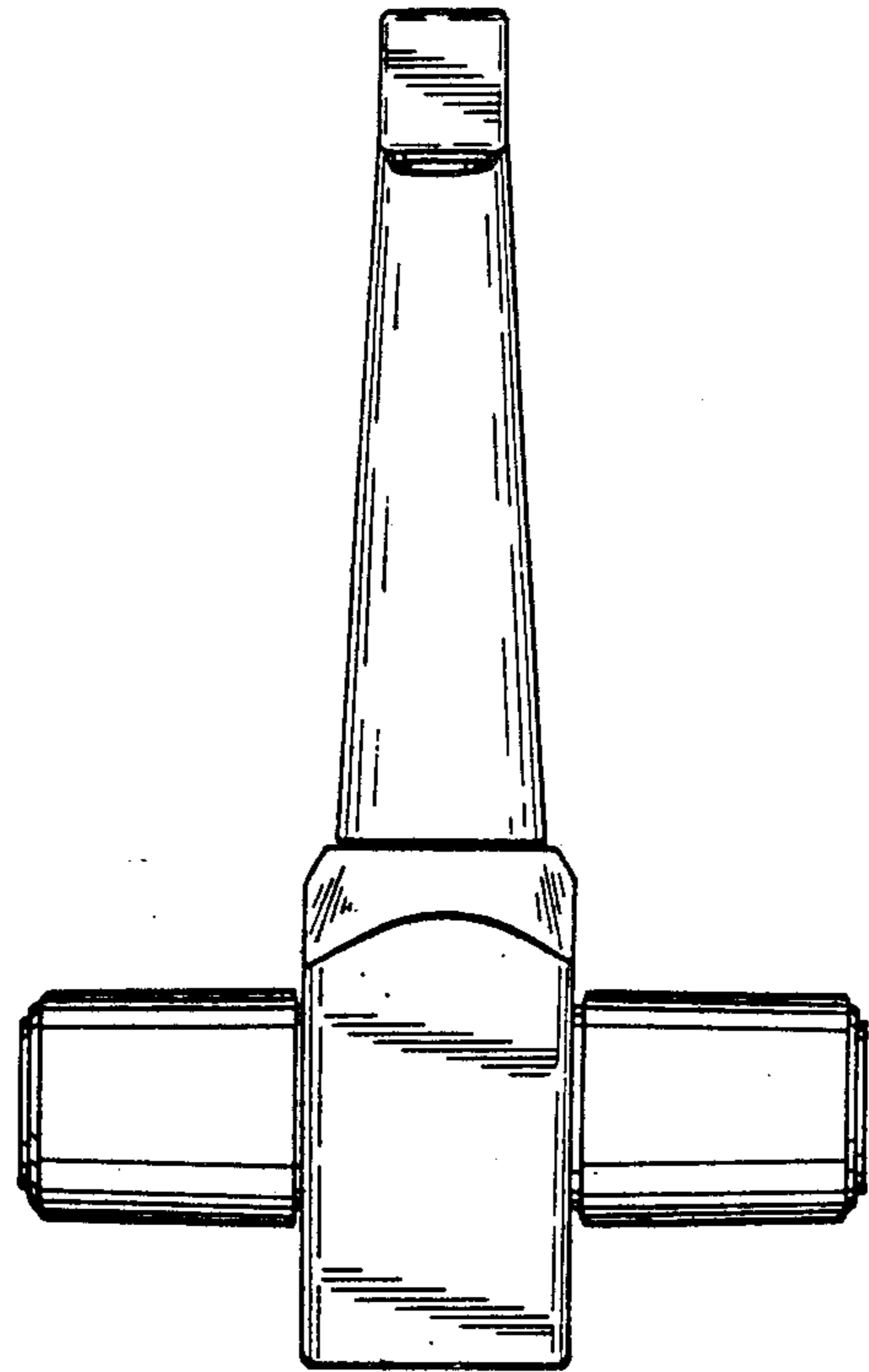


FIG. 1

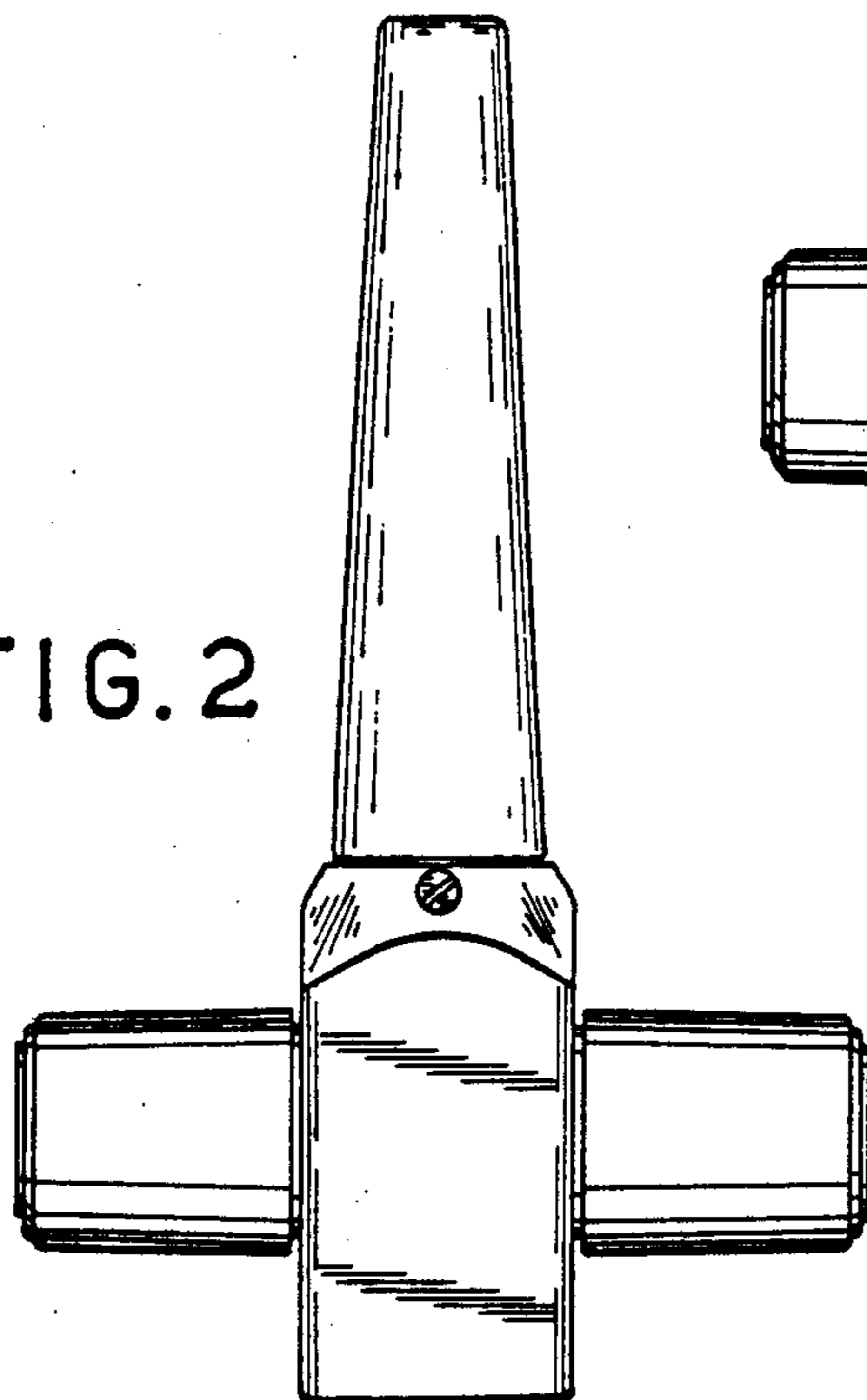


FIG. 2

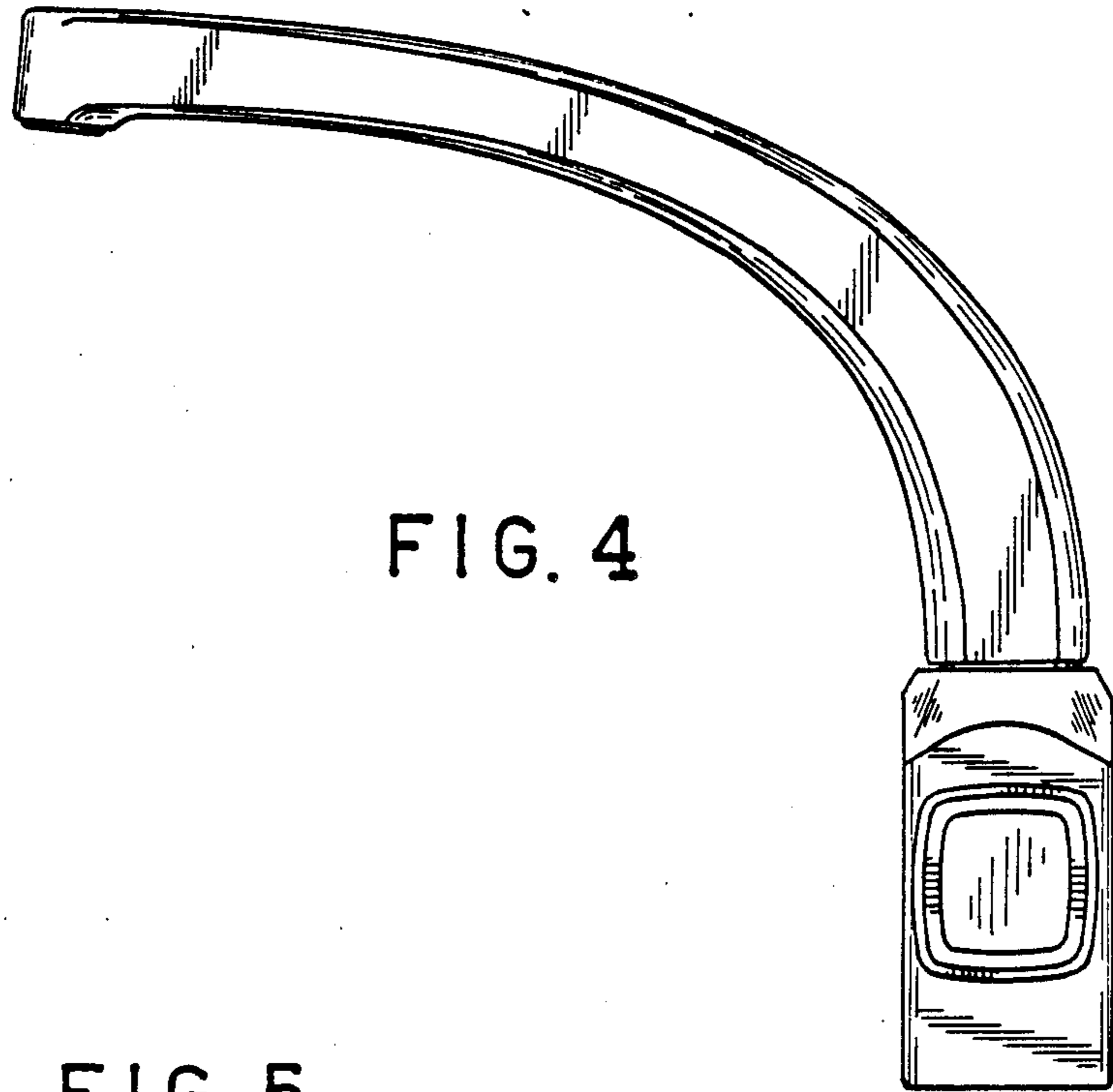


FIG. 4

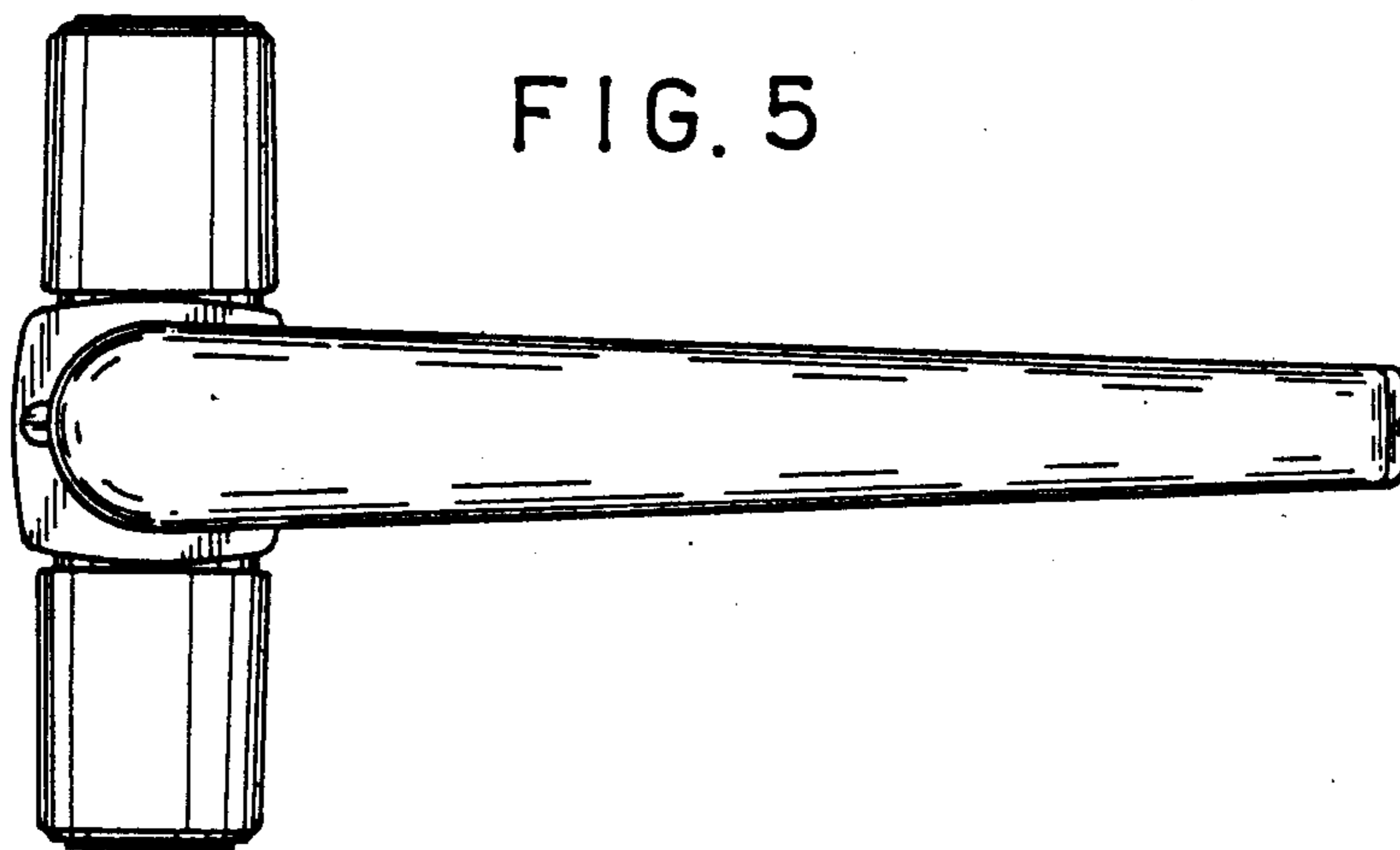


FIG. 5

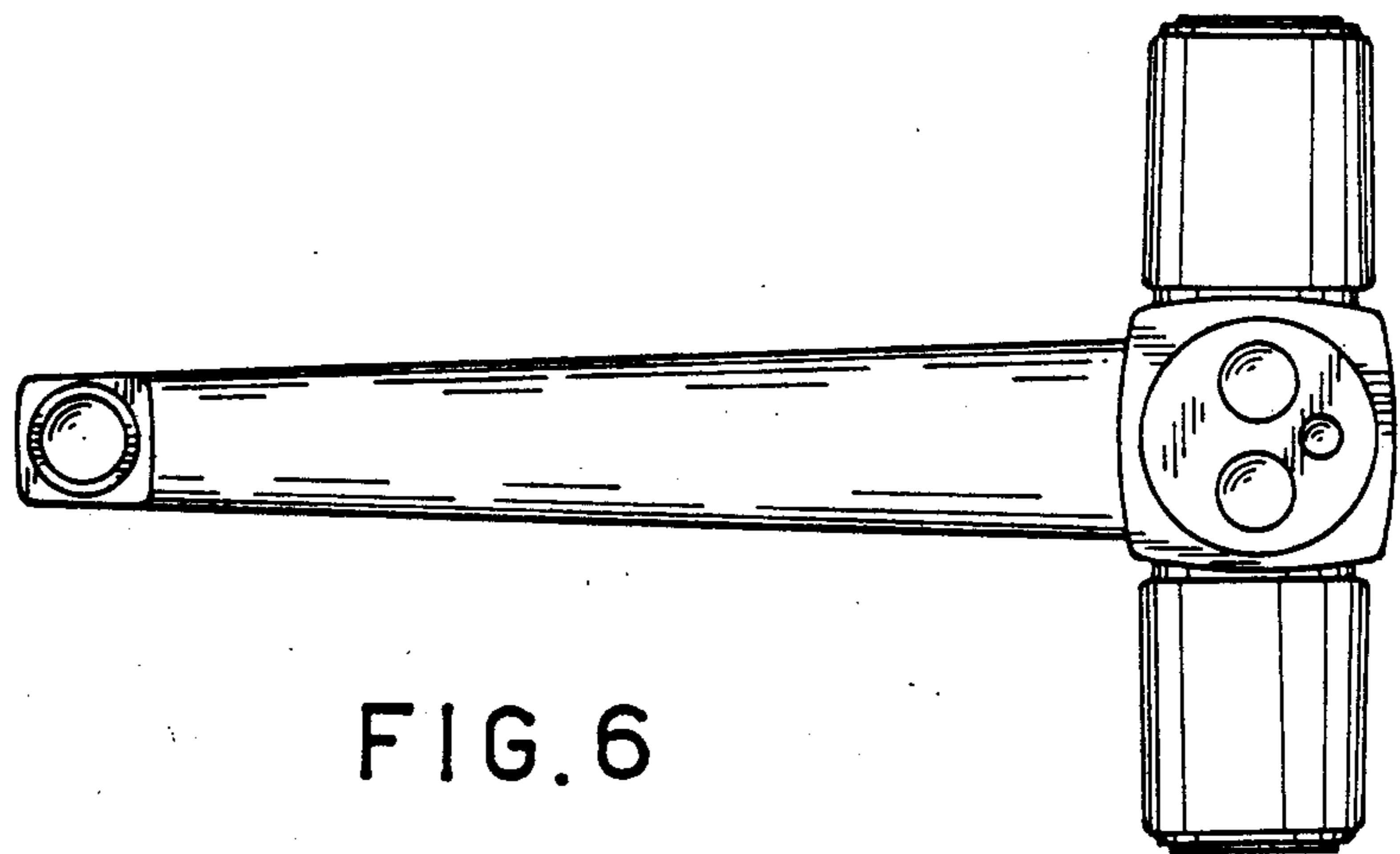


FIG. 6