

[54] **FAUCET**

[75] **Inventor: Wolfgang Heieck, Langenau, Fed. Rep. of Germany**

[73] **Assignee: Knebel & Rottger GmbH & Co., Iserlohn, Fed. Rep. of Germany**

[**] **Term: 14 Years**

[21] **Appl. No.: 62,044**

[22] **Filed: Jun. 11, 1987**

[30] **Foreign Application Priority Data**

Dec. 12, 1986 [DE] Fed. Rep. of Germany MR7520
[52] **U.S. Cl. D23/238**
[58] **Field of Search D23/238-243, D23/255, 256, 257; 4/191, 192; 137/801**

[56] **References Cited**

U.S. PATENT DOCUMENTS

D. 281,095 10/1985 Arnold et al. D23/238
D. 281,096 10/1985 Arnold et al. D23/238
3,035,612 5/1962 Lyon D23/238

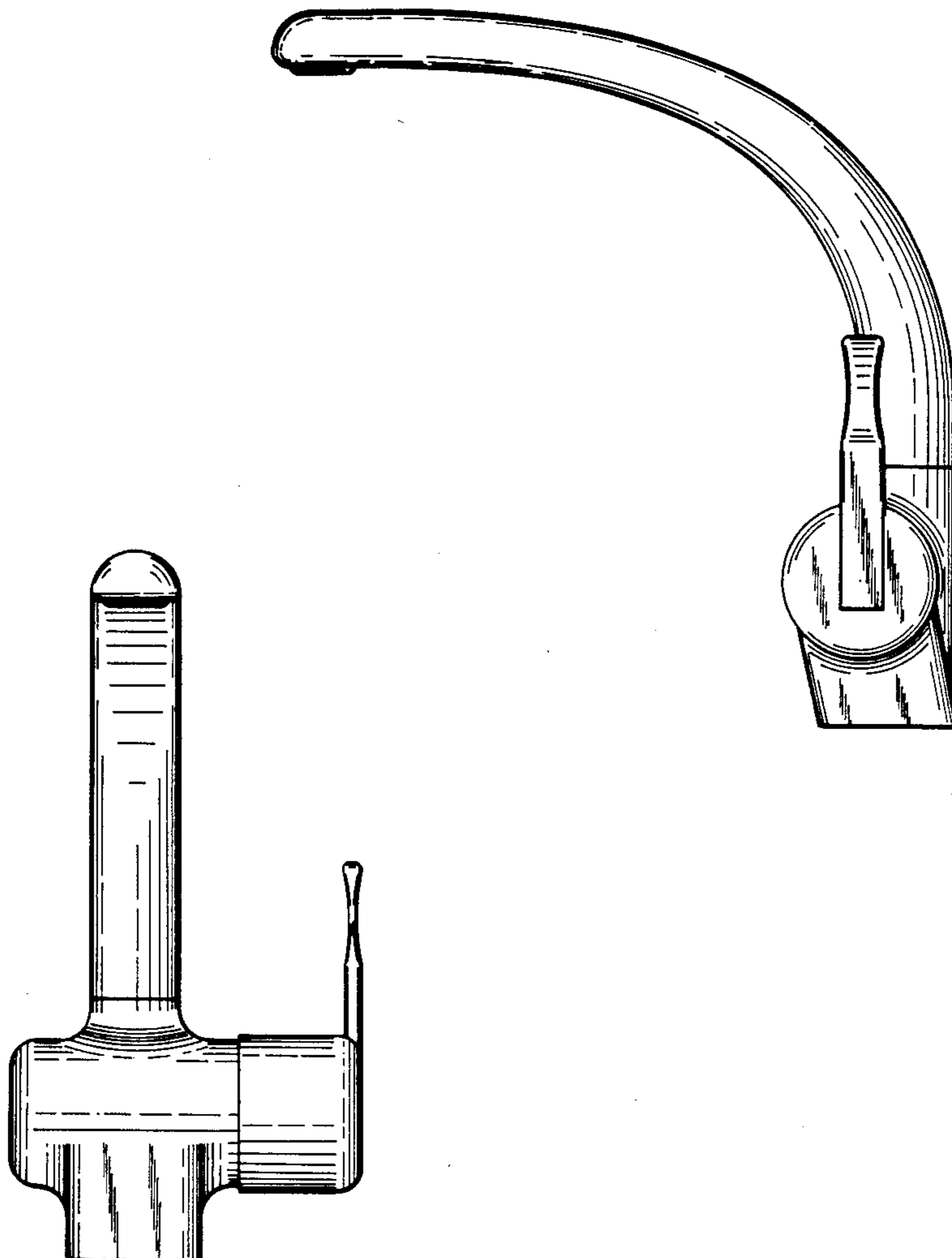
Primary Examiner—A. Hugo Word
Assistant Examiner—Stella M. Reid
Attorney, Agent, or Firm—Herbert Dubno; Ronald Lianides

[57] **CLAIM**

The ornamental design for a faucet, as shown and described.

DESCRIPTION

FIG. 1 is a side elevational view a faucet, showing my new design;
FIG. 2 is a side elevational view thereof, opposite that shown in FIG. 1;
FIG. 3 is a top plan view thereof;
FIG. 4 is a front elevational view thereof;
FIG. 5 is a rear elevational view thereof; and
FIG. 6 is a bottom plan view thereof.



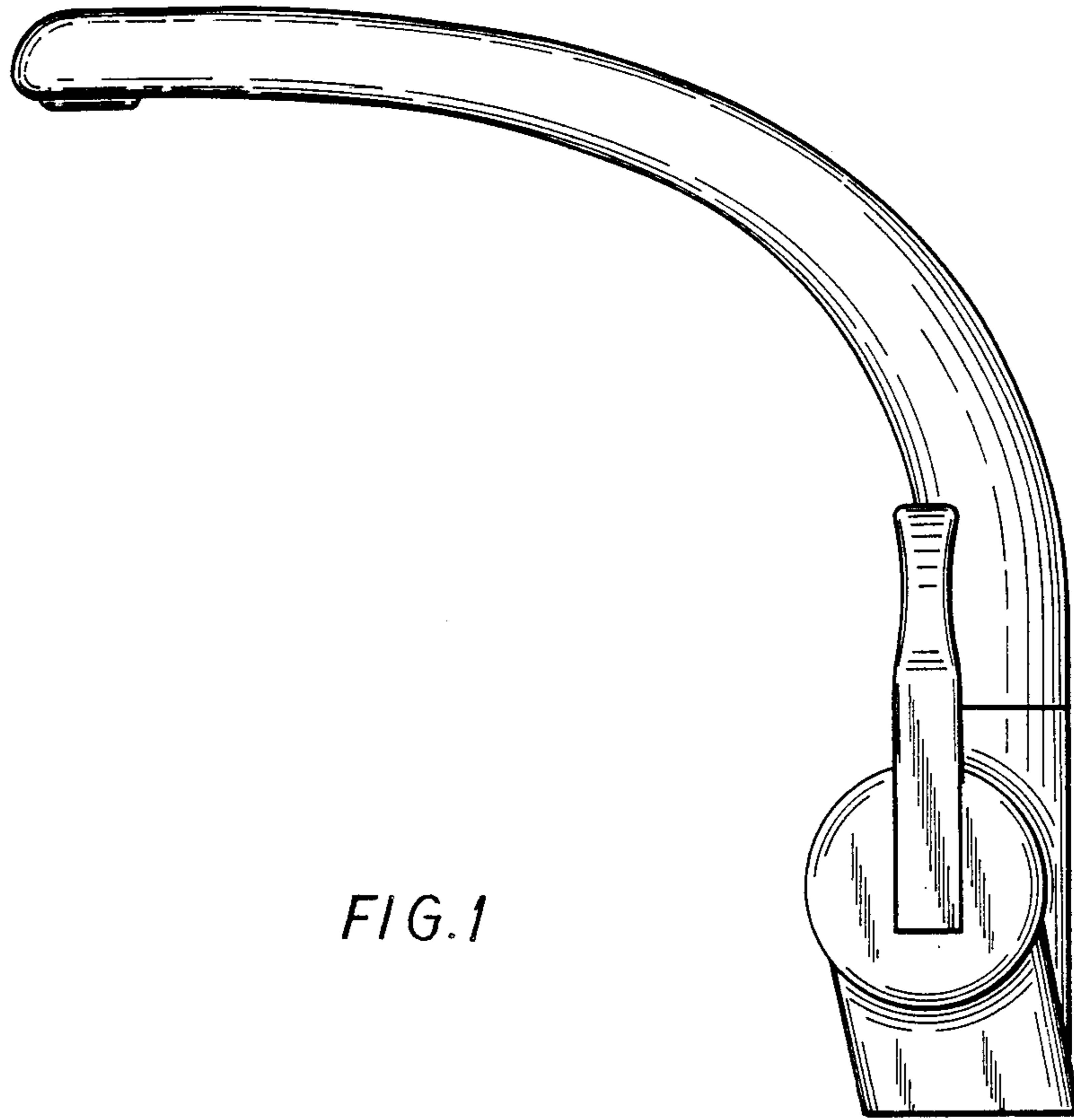


FIG. 1

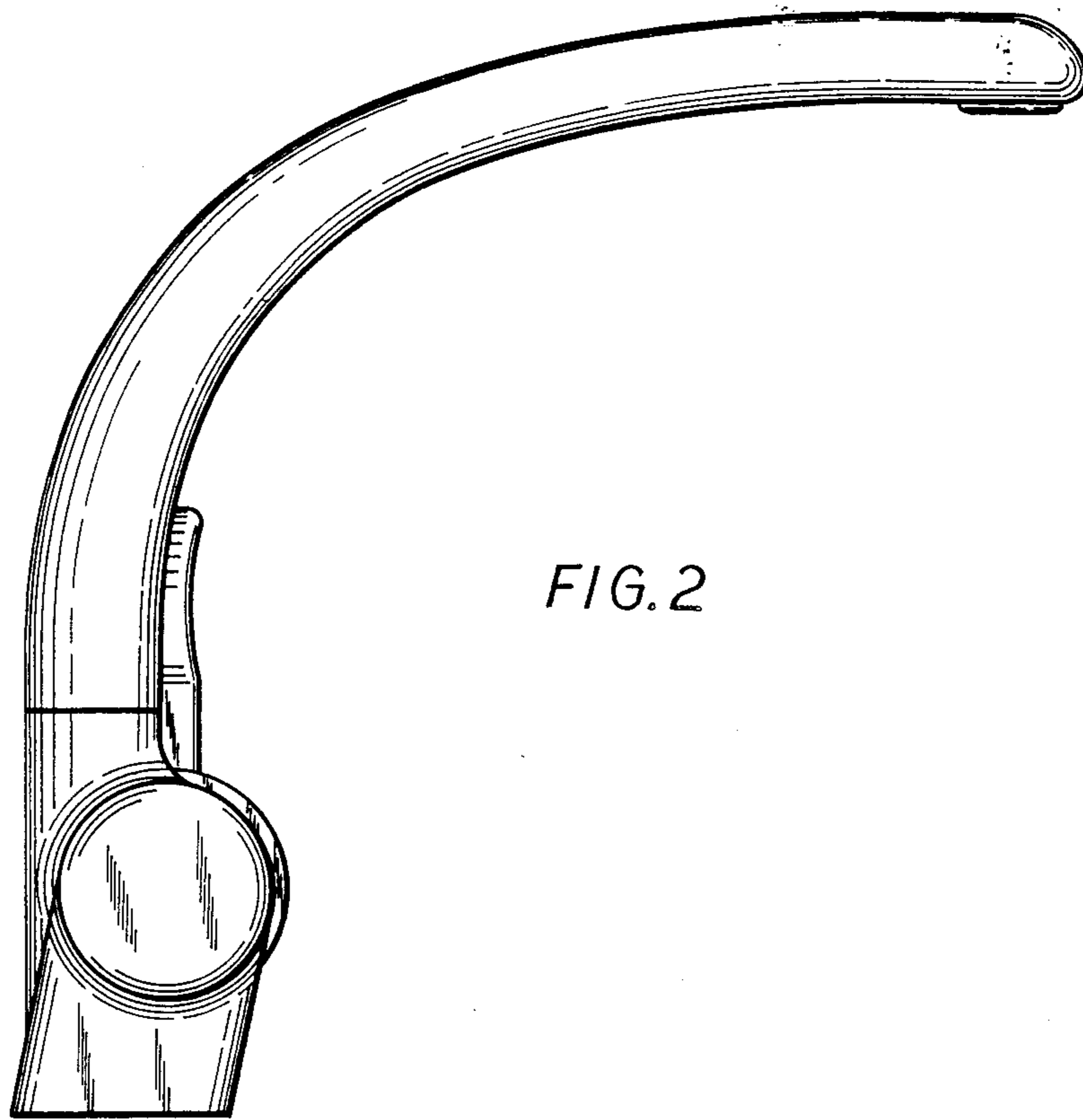


FIG. 2

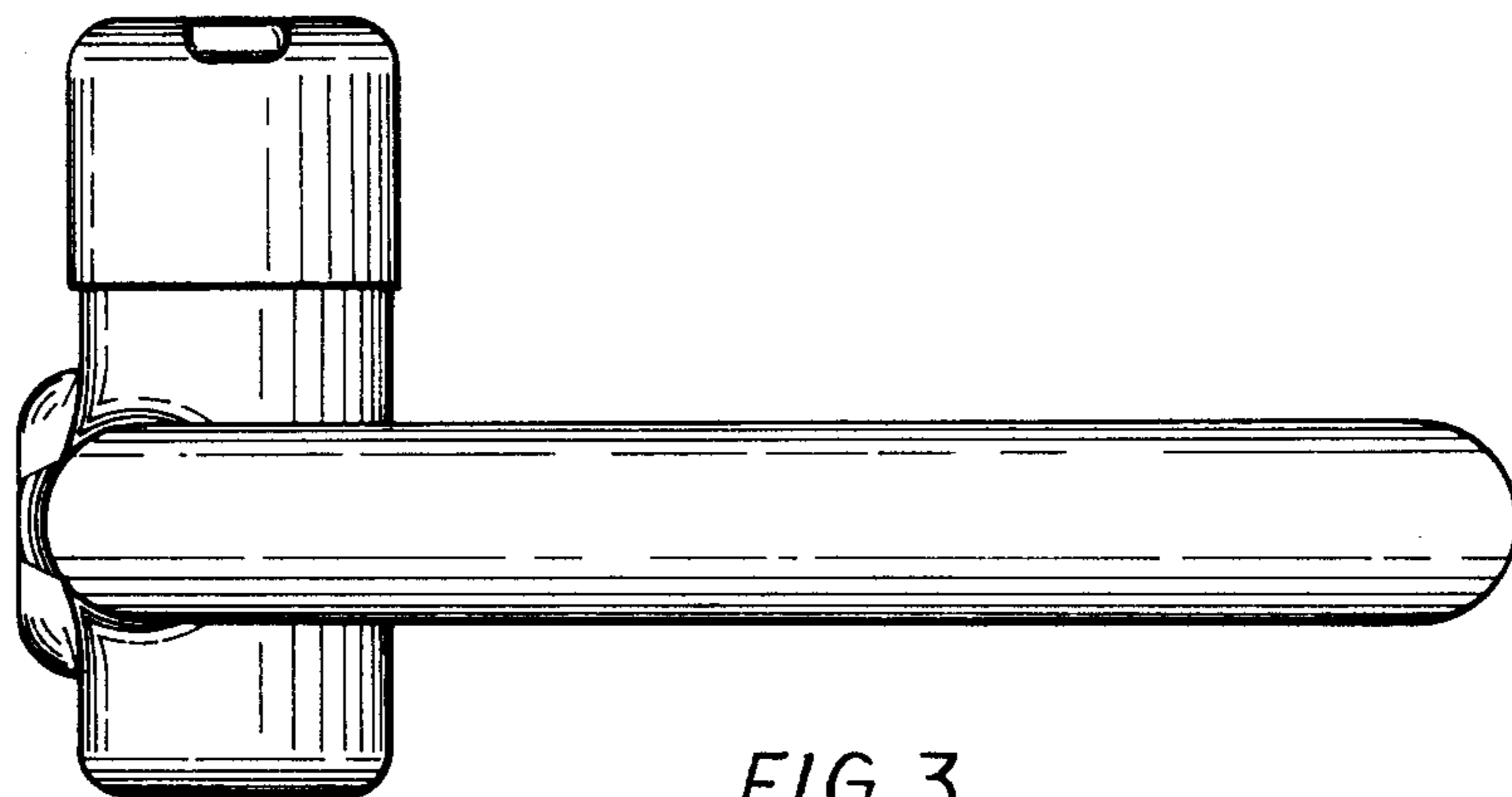


FIG. 3

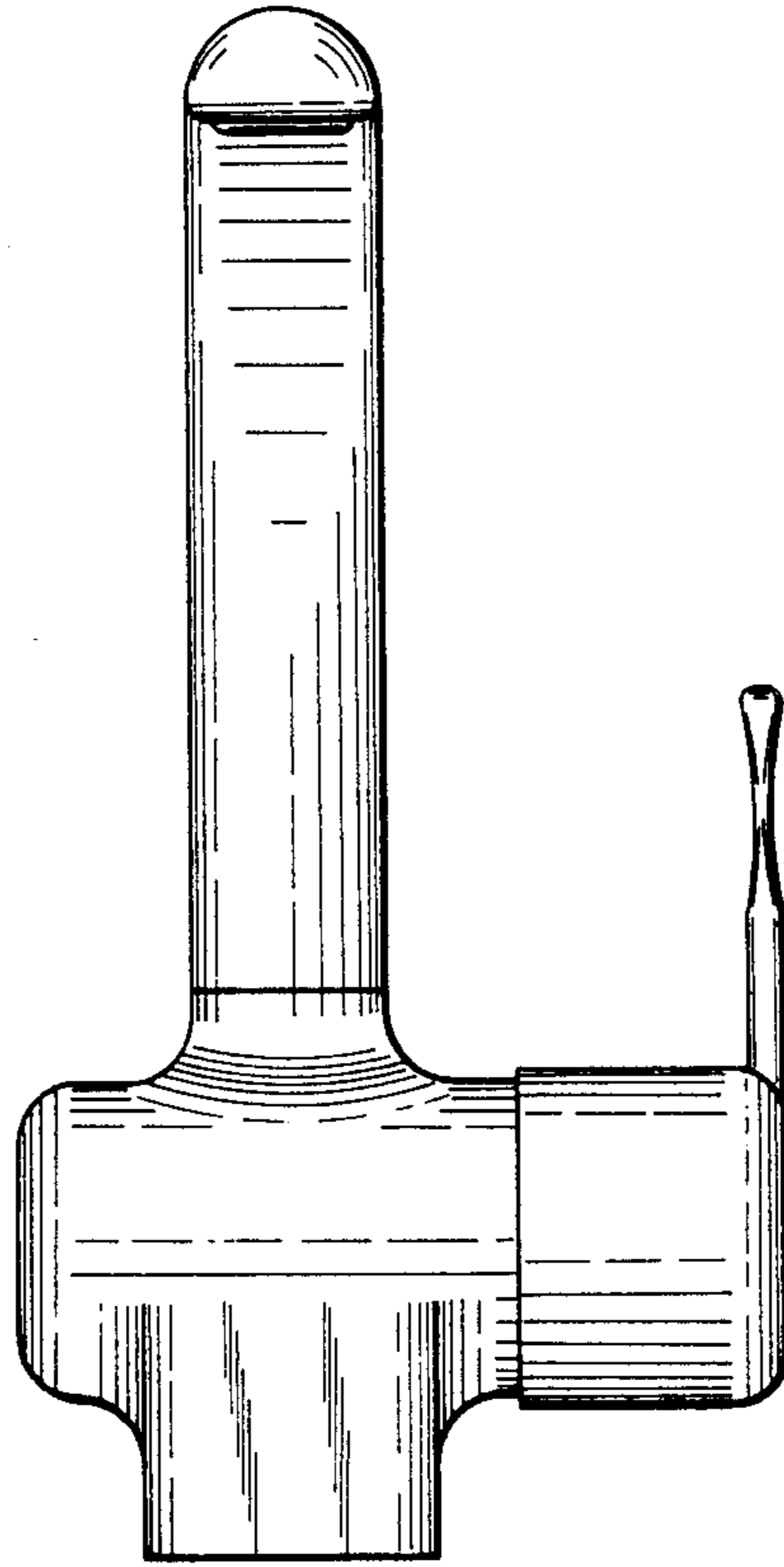


FIG. 4

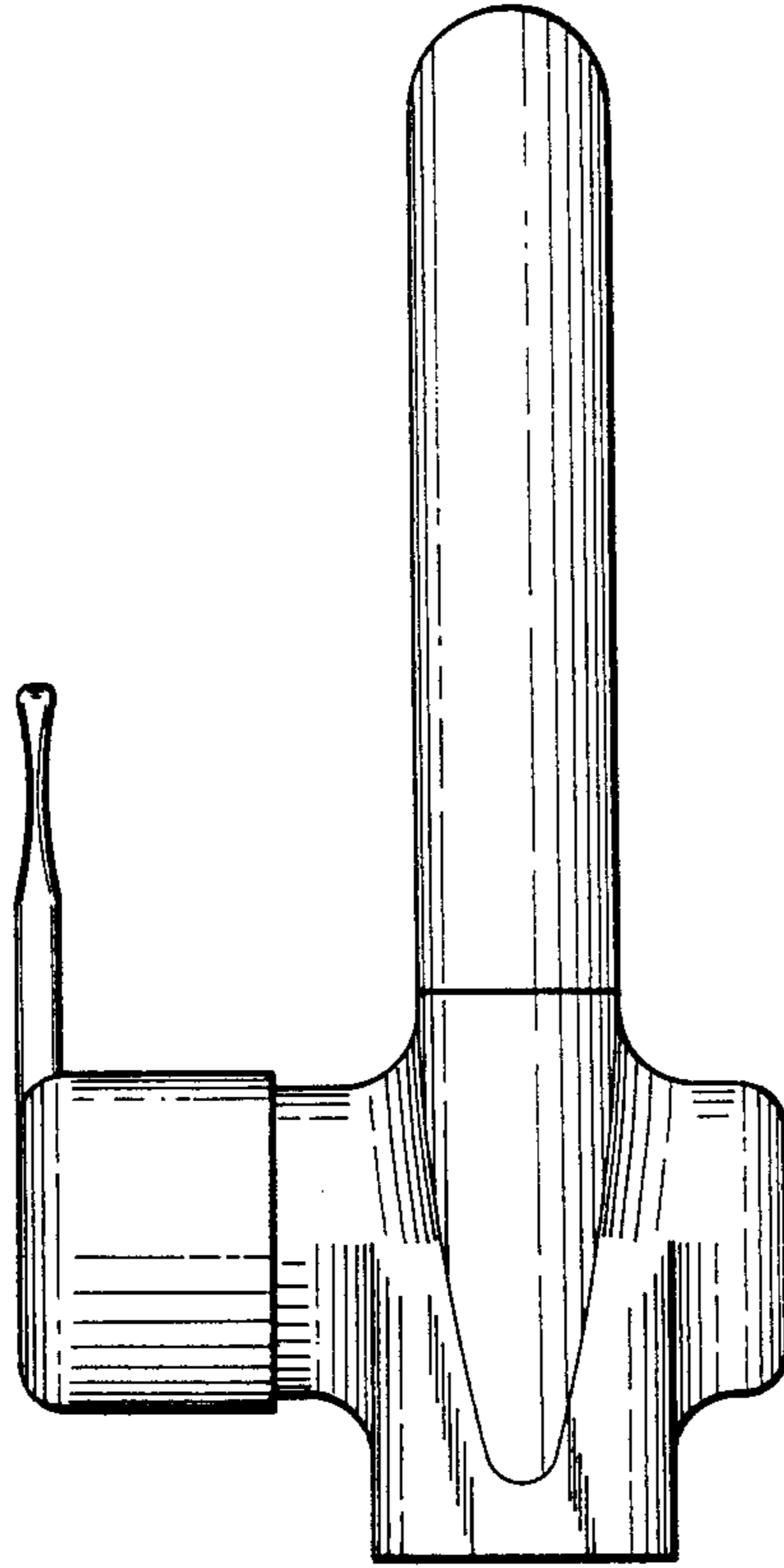


FIG. 5

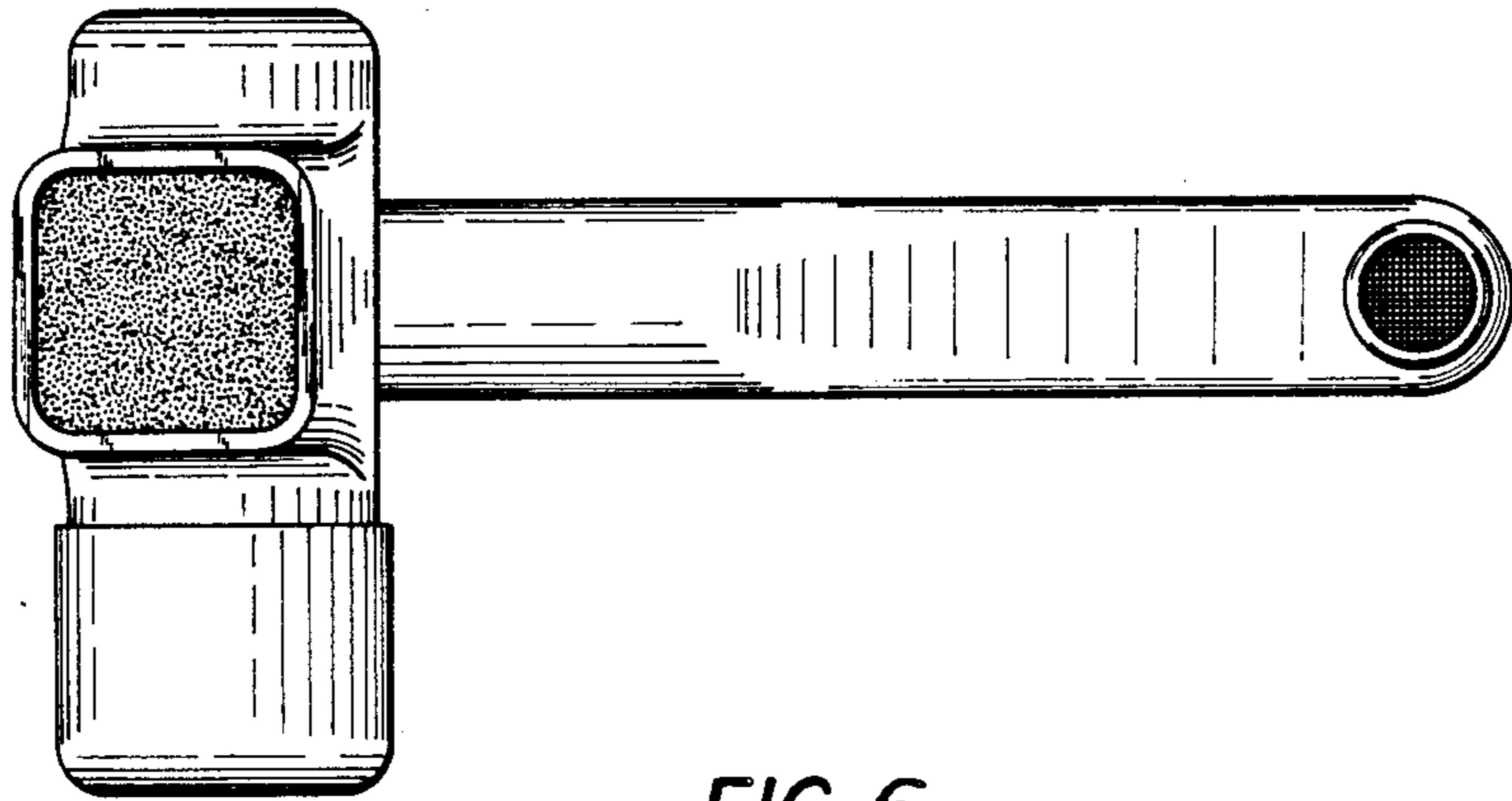


FIG. 6