

[54] **SHOWER MULTI-LIQUID DISPENSER**  
[76] **Inventor: Duard I. Hardy, 14105 Knottingsley Pl., Tampa, Fla. 33624**  
[\*\*] **Term: 14 Years**  
[21] **Appl. No.: 184,712**  
[22] **Filed: Apr. 22, 1988**  
[52] **U.S. Cl. .... D23/228**  
[58] **Field of Search .... D23/207-209, D23/213-223, 228-229, 230**

3,720,352 3/1973 Kozlowski ..... 222/132  
3,847,354 11/1974 Lemond ..... 239/317  
3,902,637 9/1975 Scheeler ..... 222/144.5  
4,225,085 9/1980 Headen et al. .... 239/317

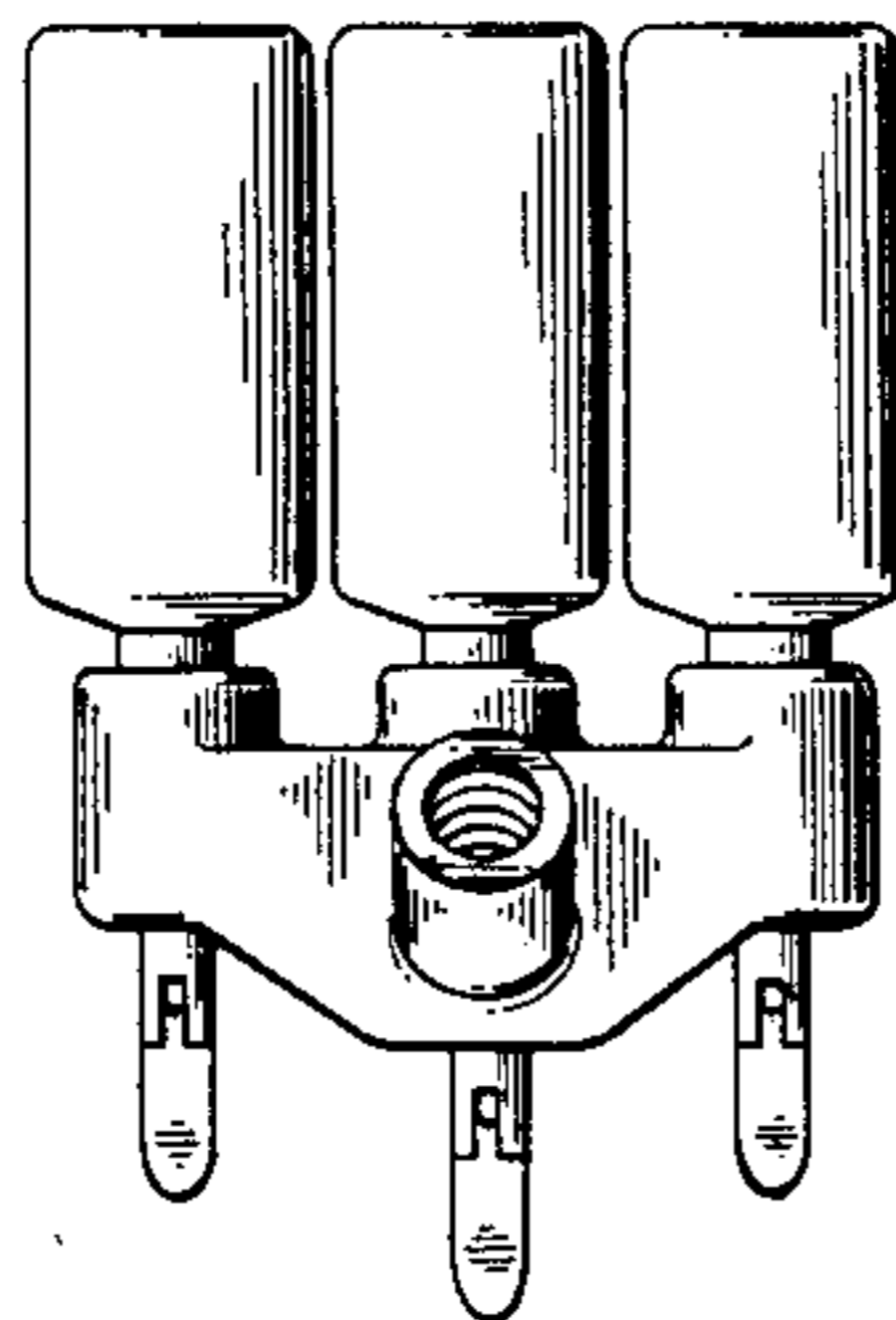
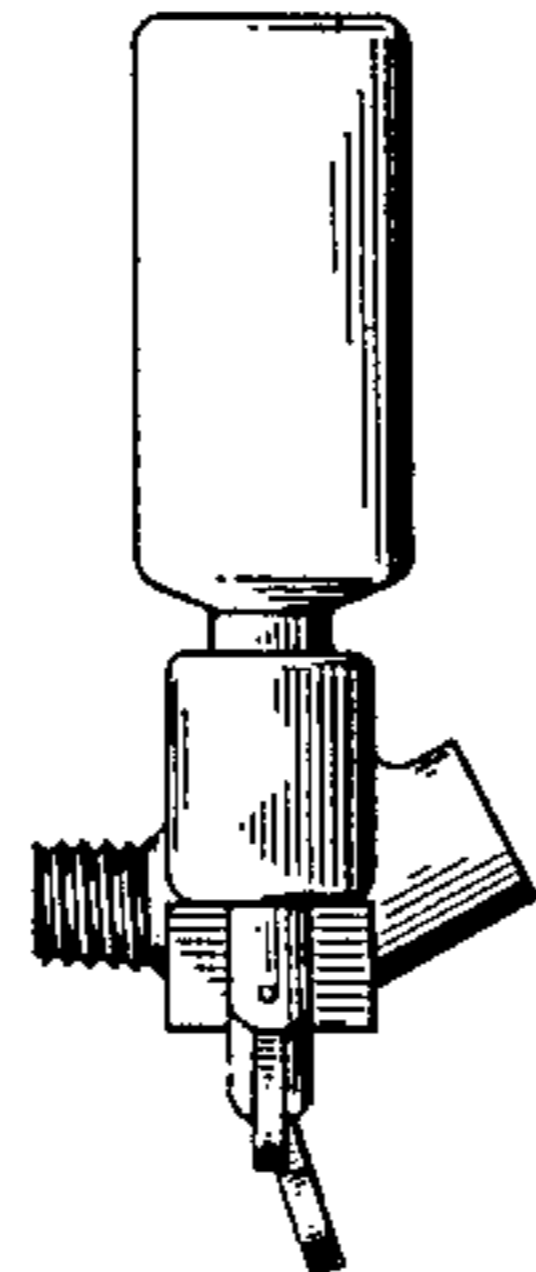
*Primary Examiner*—Louis S. Zarfaz  
*Assistant Examiner*—Demetrius Reynolds  
*Attorney, Agent, or Firm*—Dominik, Stein, Saccocio, Reese, Colitz & Van Der Wall

[56] **References Cited**  
**U.S. PATENT DOCUMENTS**  
D. 200,187 1/1965 Davis ..... D23/228  
D. 253,187 10/1979 Stucky ..... D23/228  
2,609,232 9/1952 Taulman ..... 239/305  
2,928,576 3/1960 Kochner ..... 222/509 X  
3,106,345 10/1963 Wukowitz ..... 239/318  
3,207,445 9/1965 Court et al. .... 239/310  
3,612,355 10/1971 Stucky et al. .... 222/144.5 X

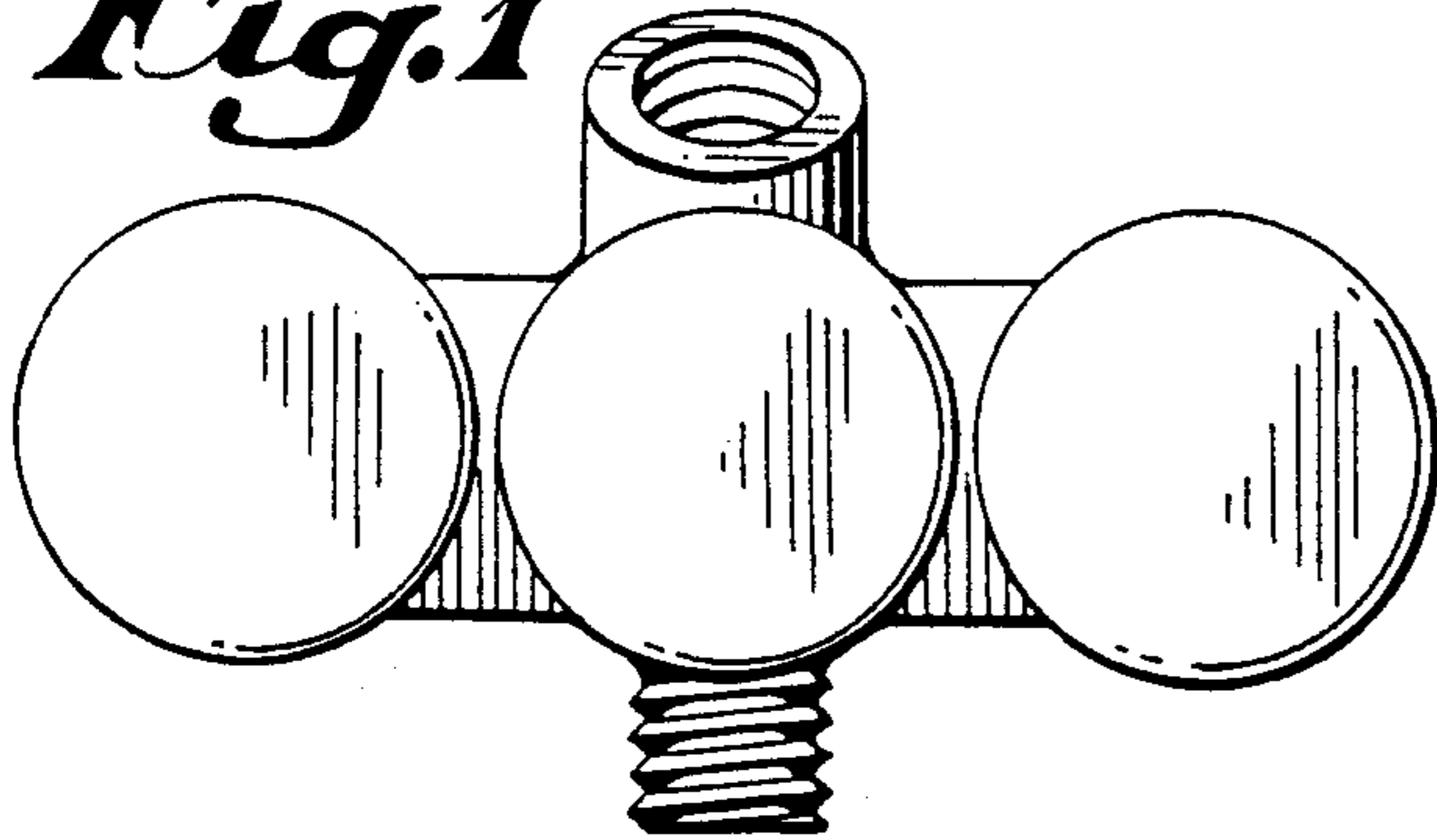
[57] **CLAIM**  
The ornamental design for a shower multi-liquid dispenser, as shown and described.

**DESCRIPTION**

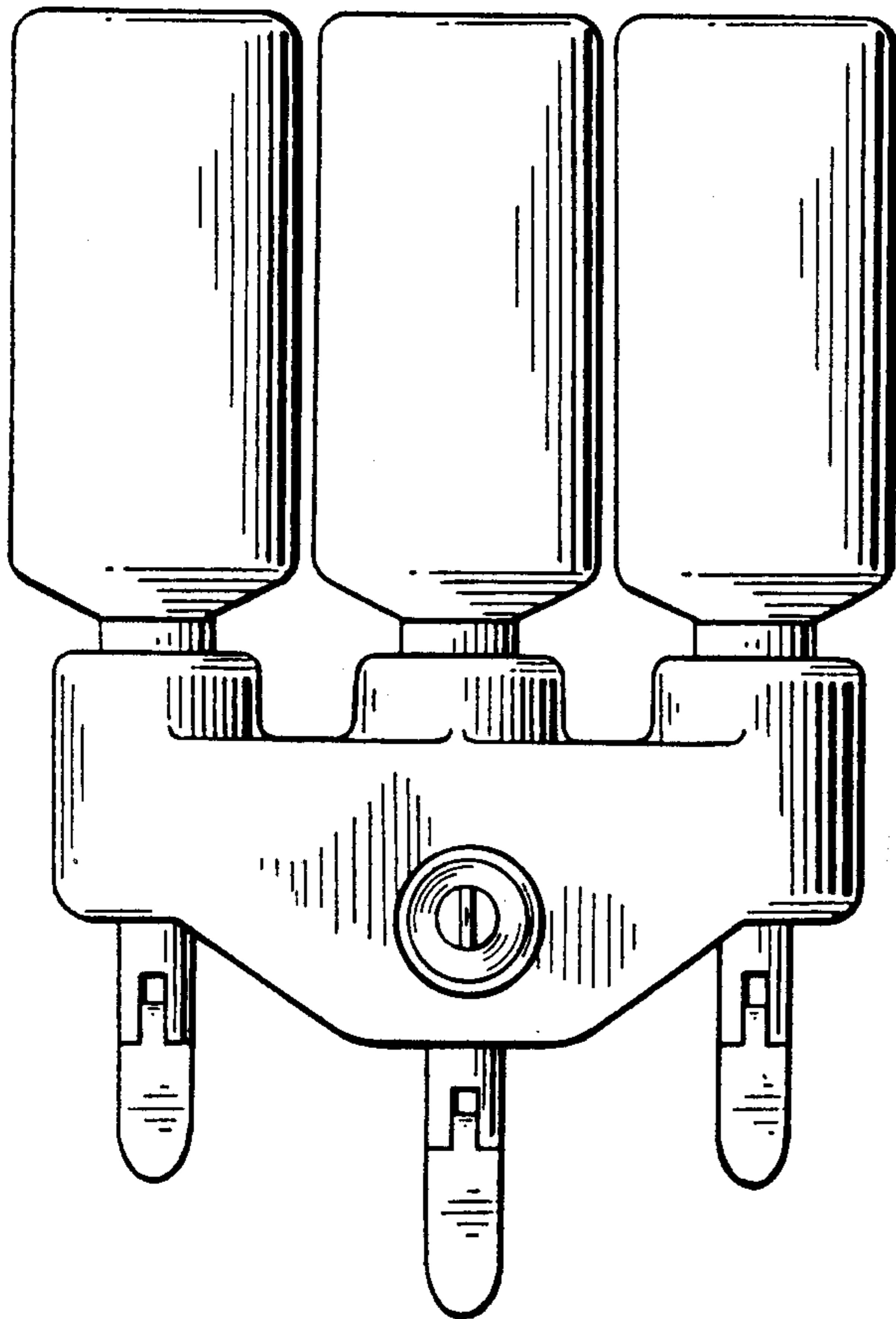
FIG. 1 is a top plan view of a shower multi-liquid dispenser showing my new design;  
FIG. 2 is a front elevational view thereof;  
FIG. 3 is a right side elevational view thereof, the left side being a mirror image;  
FIG. 4 is a bottom plan view thereof; and  
FIG. 5 is a rear elevational view thereof.



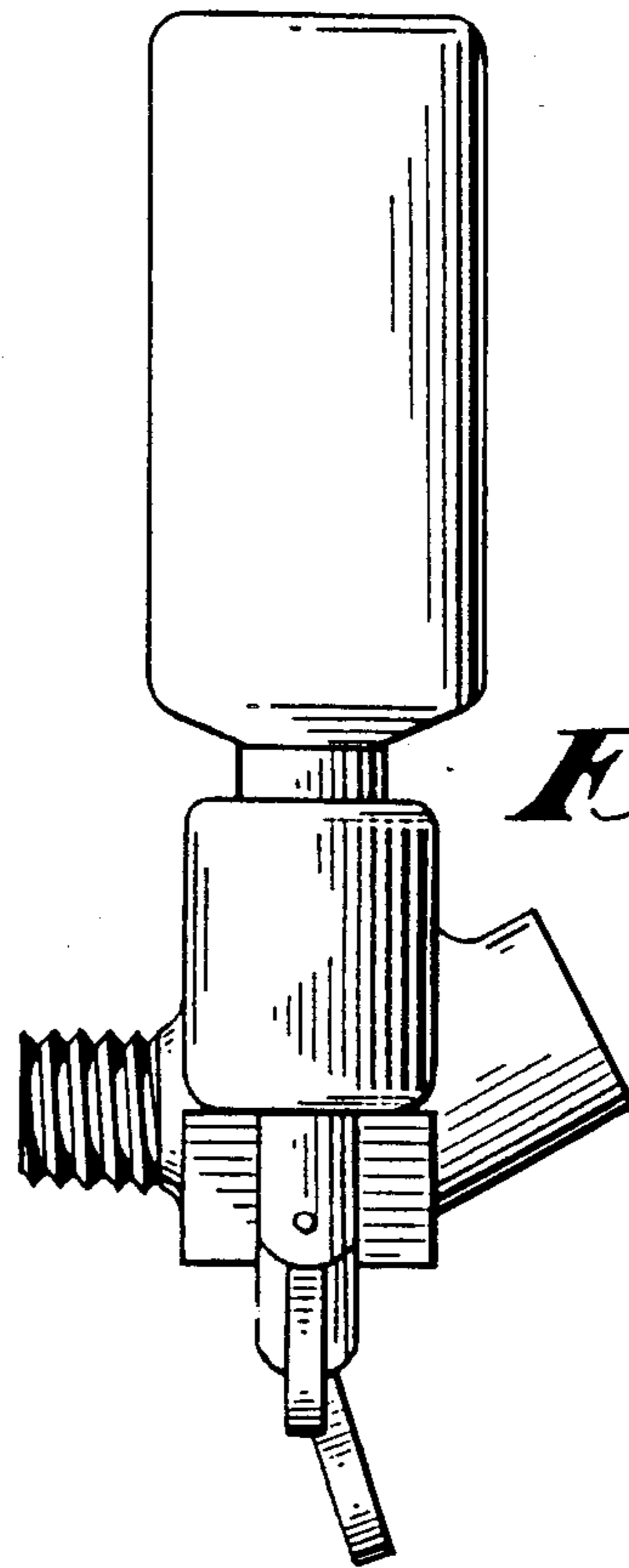
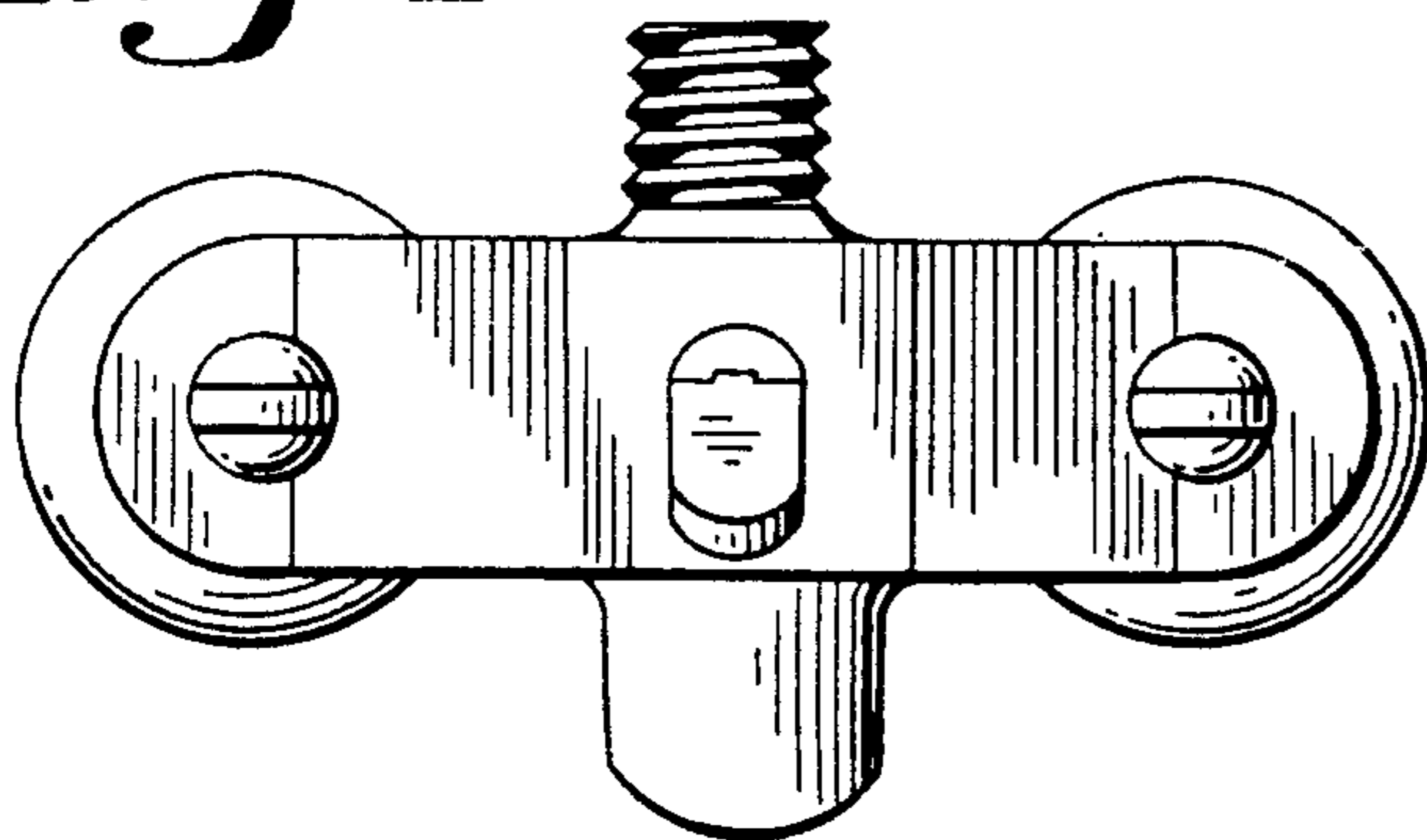
*Fig. 1*



*Fig. 2*



*Fig. 4*



*Fig. 3*

*Fig. 5*

