

[54] **RAINBOW SPRAY POOL**
[76] **Inventor: Gordon Young, 1728 Rosemeade Cir., Carrollton, Tex. 75007**
[**] **Term: 14 Years**
[21] **Appl. No.: 273,491**
[22] **Filed: Nov. 21, 1988**
[52] **U.S. Cl. D21/252**
[58] **Field of Search D21/252; D25/2; D23/277-282, 285; D24/37; 446/70; 272/1 A, 1 R; 4/488**

[56] **References Cited**
U.S. PATENT DOCUMENTS
D. 224,241 7/1972 Tytel D21/252
D. 293,364 12/1987 Evarard D21/252 X

3,001,207 9/1961 Nail 4/488 X

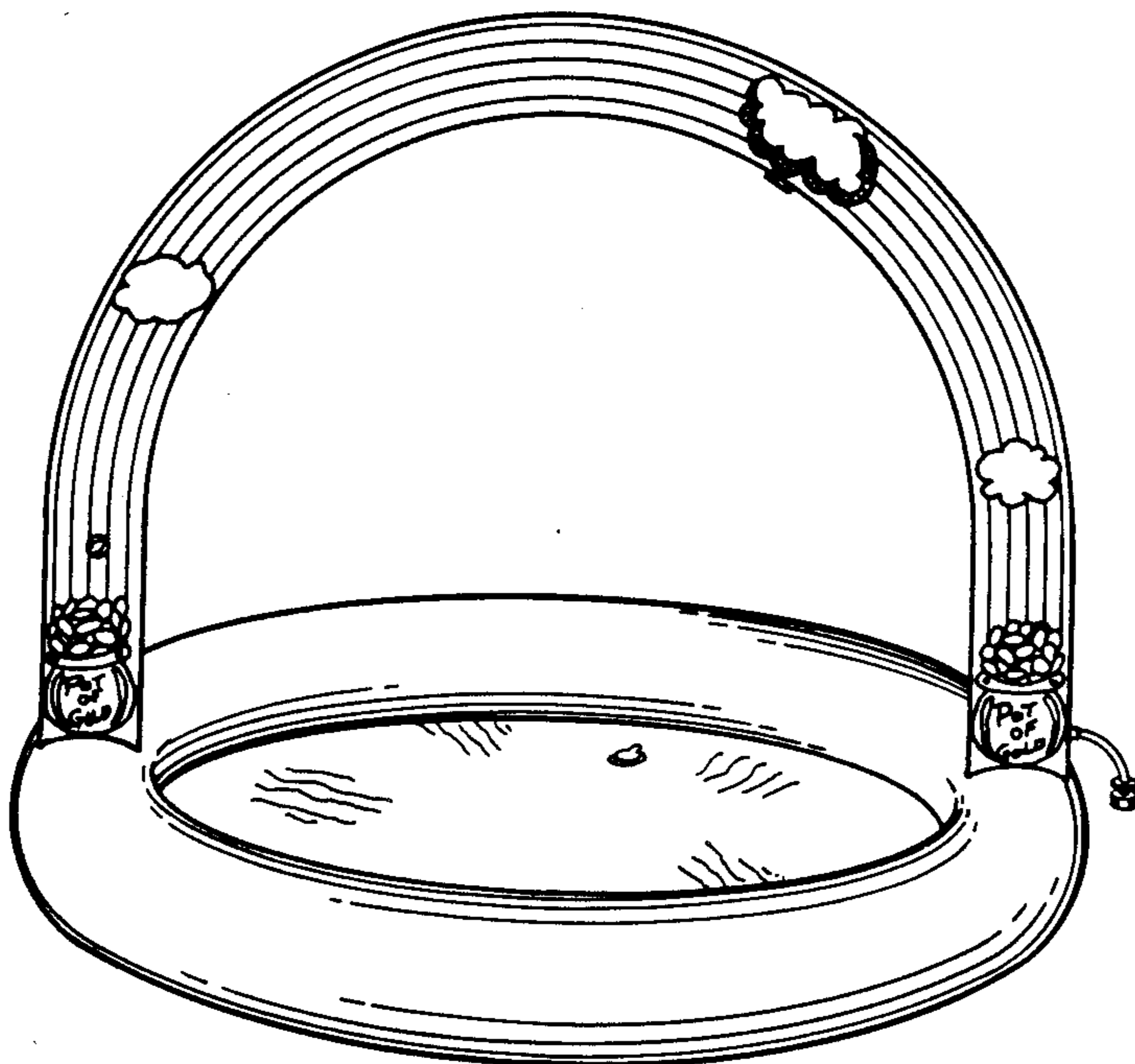
Primary Examiner—Bernard Ansher
Assistant Examiner—Terry A. Pfeffer

[57] **CLAIM**

The ornamental design for a rainbow spray pool, as shown and described.

DESCRIPTION

FIG. 1 is a front perspective view of a rainbow spray pool, showing my new design;
FIG. 2 is a plan view thereof;
FIG. 3 is a front elevational view thereof;
FIG. 4 is a rear elevational view thereof;
FIG. 5 is a right side elevational view thereof;
FIG. 6 is a bottom view thereof; and
FIG. 7 is a left side elevational view thereof.



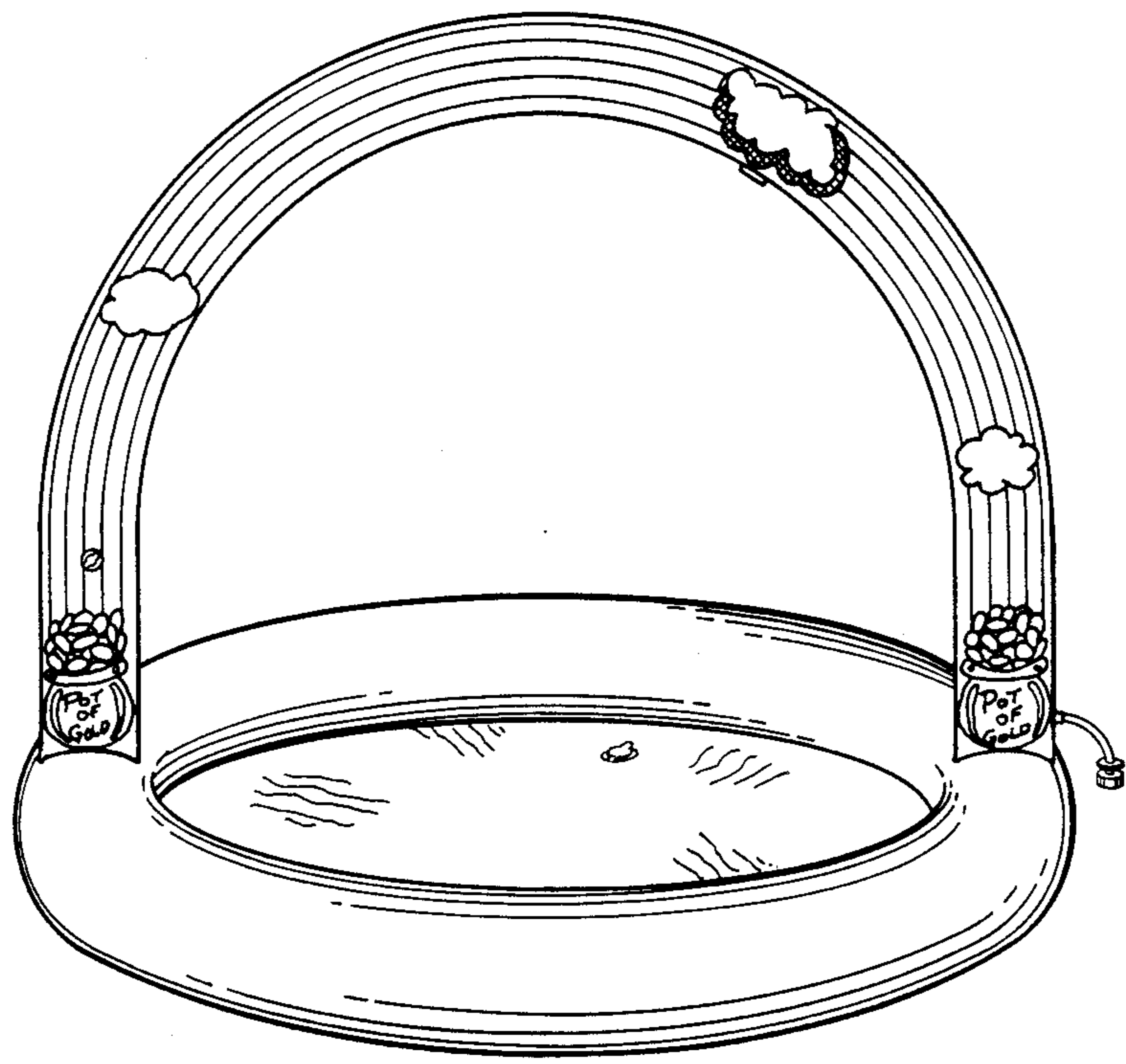


FIG. 1

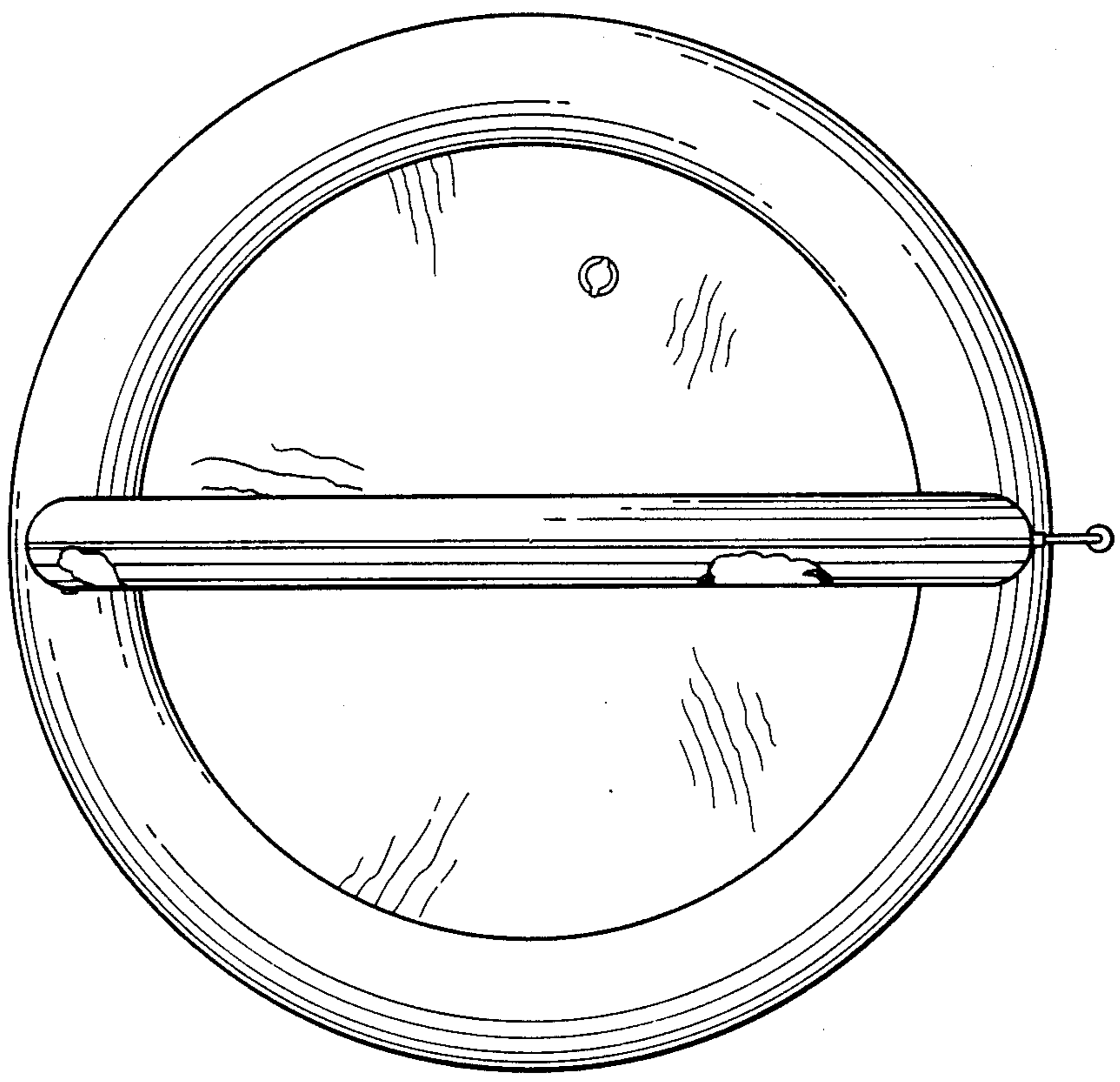


FIG. 2

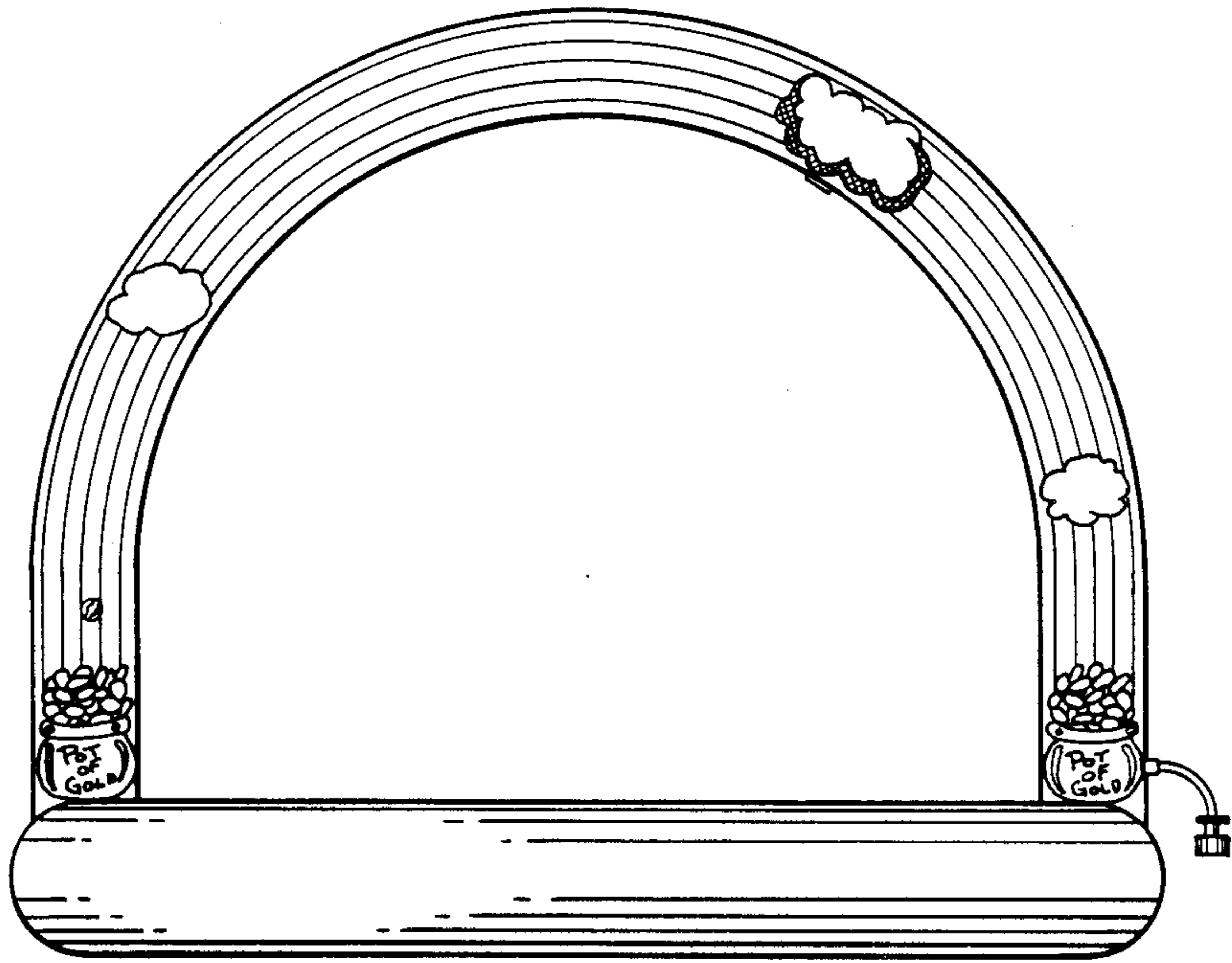


FIG. 3

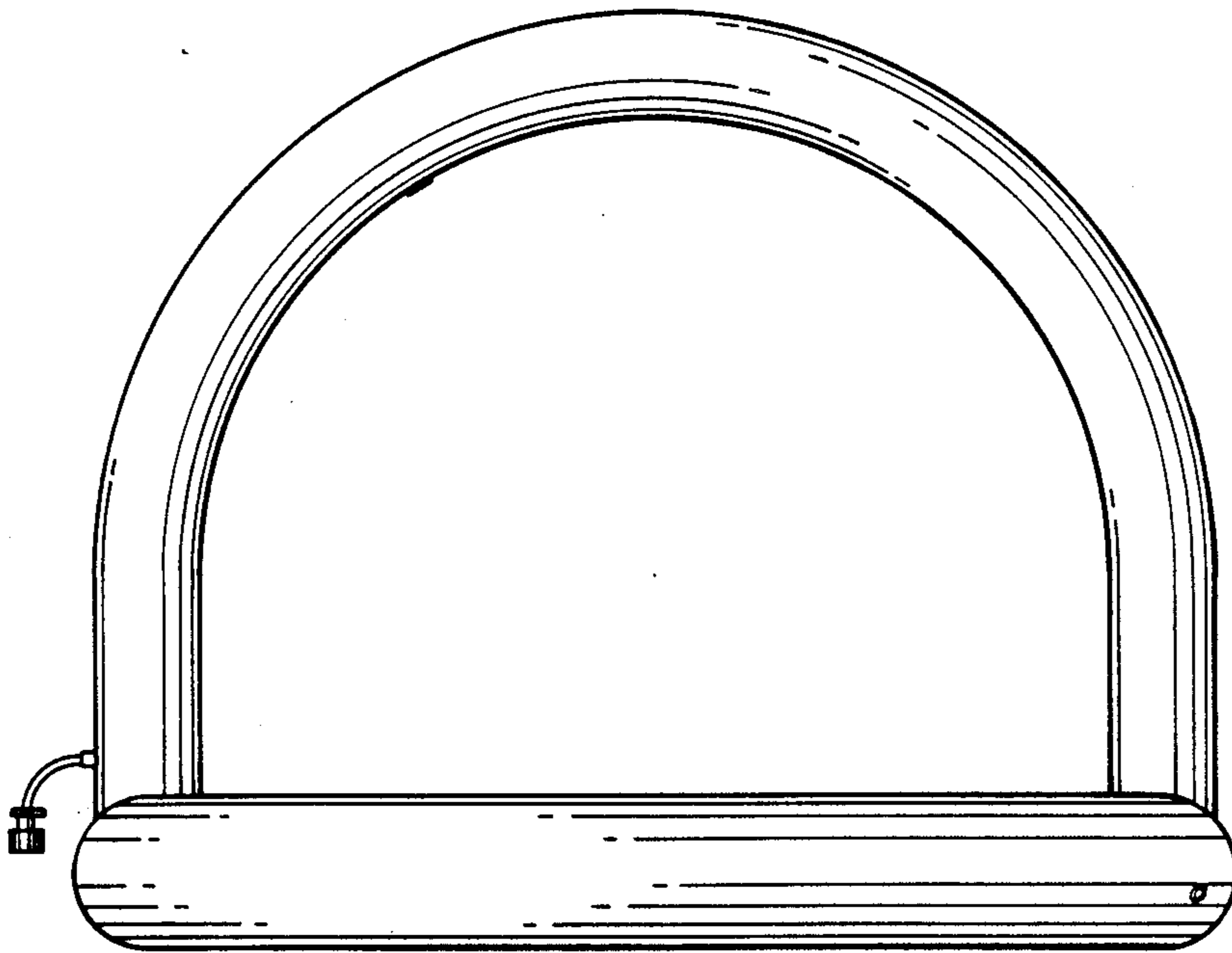


FIG. 4

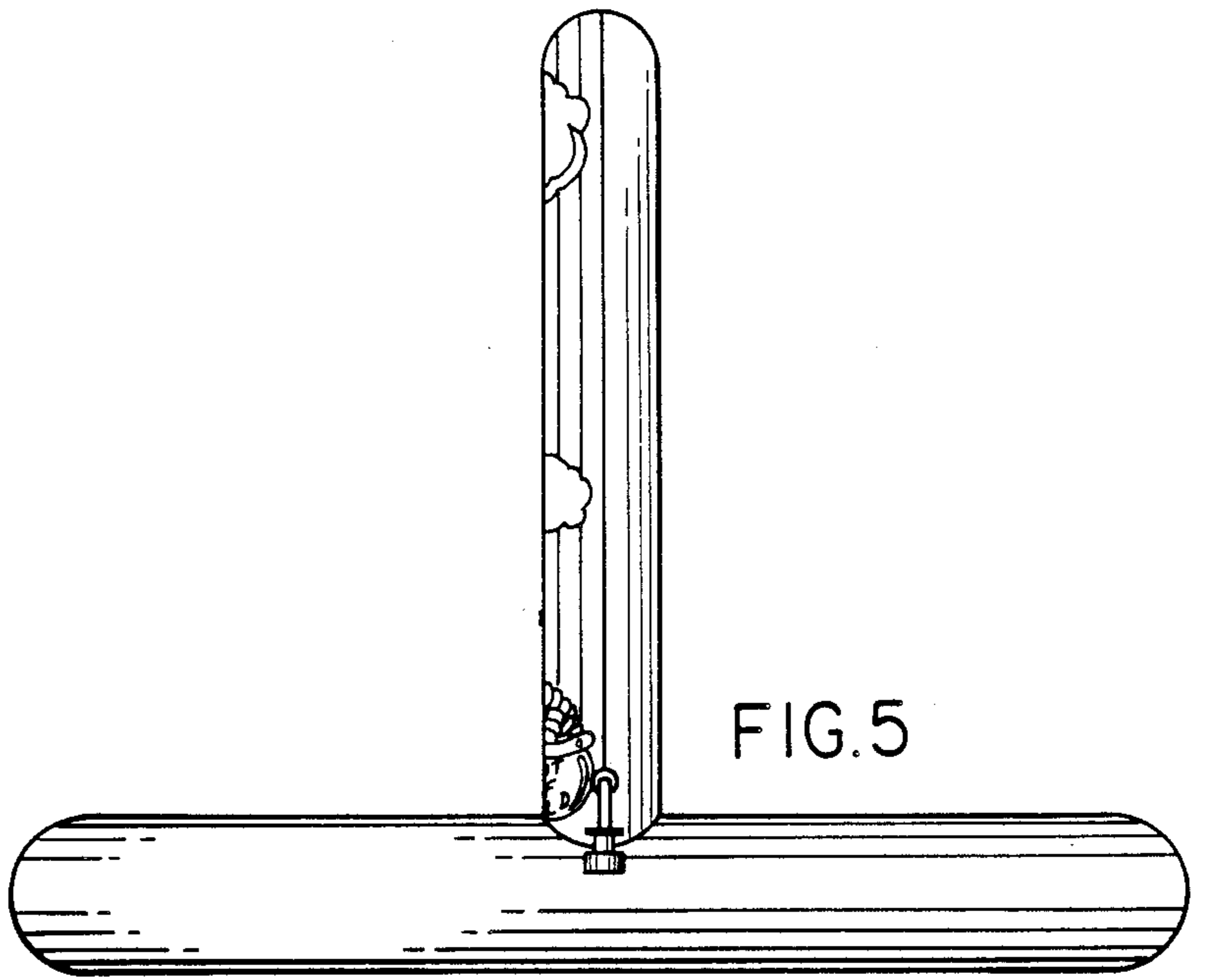


FIG. 5

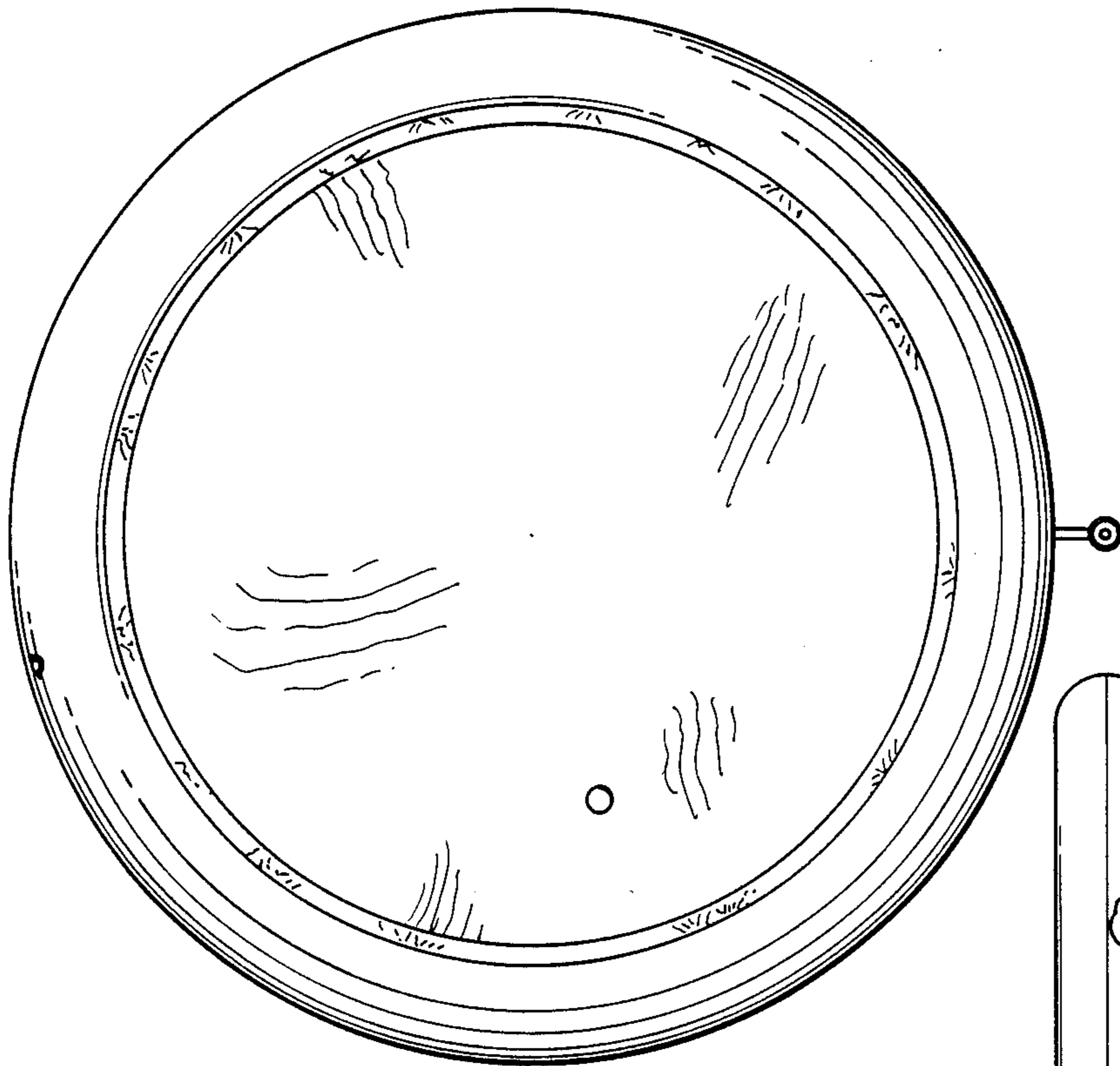


FIG. 6

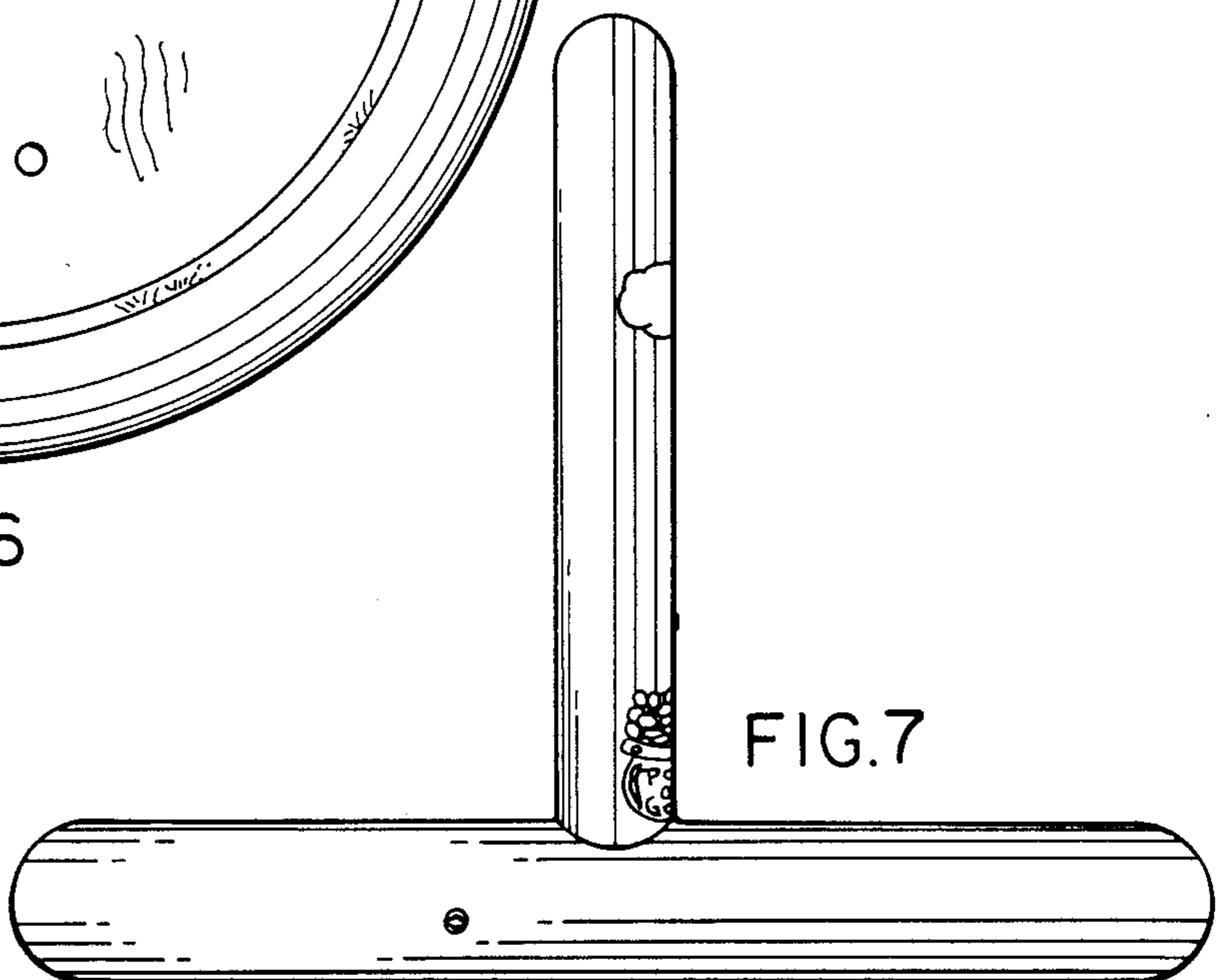


FIG. 7