

[54] GOLF CLUB HEAD

[76] Inventor: Robert P. Sanchez, 934 W. Willow, Chicago, Ill. 60614

[**] Term: 14 Years

[21] Appl. No.: 169,363

[22] Filed: Mar. 17, 1988

[52] U.S. Cl. D21/217

[58] Field of Search D21/214-220; 273/167-175, 163 R, 164

[56] References Cited

U.S. PATENT DOCUMENTS

D. 179,002	10/1956	Hoffmeister	D34/5
D. 197,238	12/1963	Lilly	D34/5
D. 238,499	1/1976	Prochnow	D21/2
D. 269,537	6/1983	Tucker	D21/219
D. 285,473	9/1986	Flood	D21/214
1,659,231	2/1928	Baack	.	
3,260,525	7/1966	Ortel	273/77
3,387,845	6/1968	Raub	273/77
3,771,788	11/1973	Hurley et al.	273/68
3,908,996	9/1975	Molinaro	273/83
3,917,277	11/1975	Beck et al.	273/163
4,138,117	2/1979	Dalton	273/164
4,592,552	6/1986	Garber	273/168

OTHER PUBLICATIONS

Article: "Getting a Jump on the Season", Lew Fishman, 4 pages, Golf Digest/Apr., 1987.

Advertisement: Golf Illustrated, unnumbered page, Apr., 1987.

Excerpt: Golf Illustrated, p. 10, Apr., 1987.

Primary Examiner—Melvin B. Feifer

Attorney, Agent, or Firm—Fitch, Even, Tabin & Flannery

[57] CLAIM

The ornamental design for a golf club head, as shown and described.

DESCRIPTION

FIG. 1 is a rear elevational view of a golf club head showing my new design;

FIG. 2 is a front elevational view thereof.

FIG. 3 is a top plan view thereof;

FIG. 4 is an end elevational view taken from the right end of FIG. 1;

FIG. 5 is an end elevational view taken from the left end of FIG. 1; and

FIG. 6 is a bottom plan view thereof.

The broken line showing of a shaft segment is for illustrative purposes only.

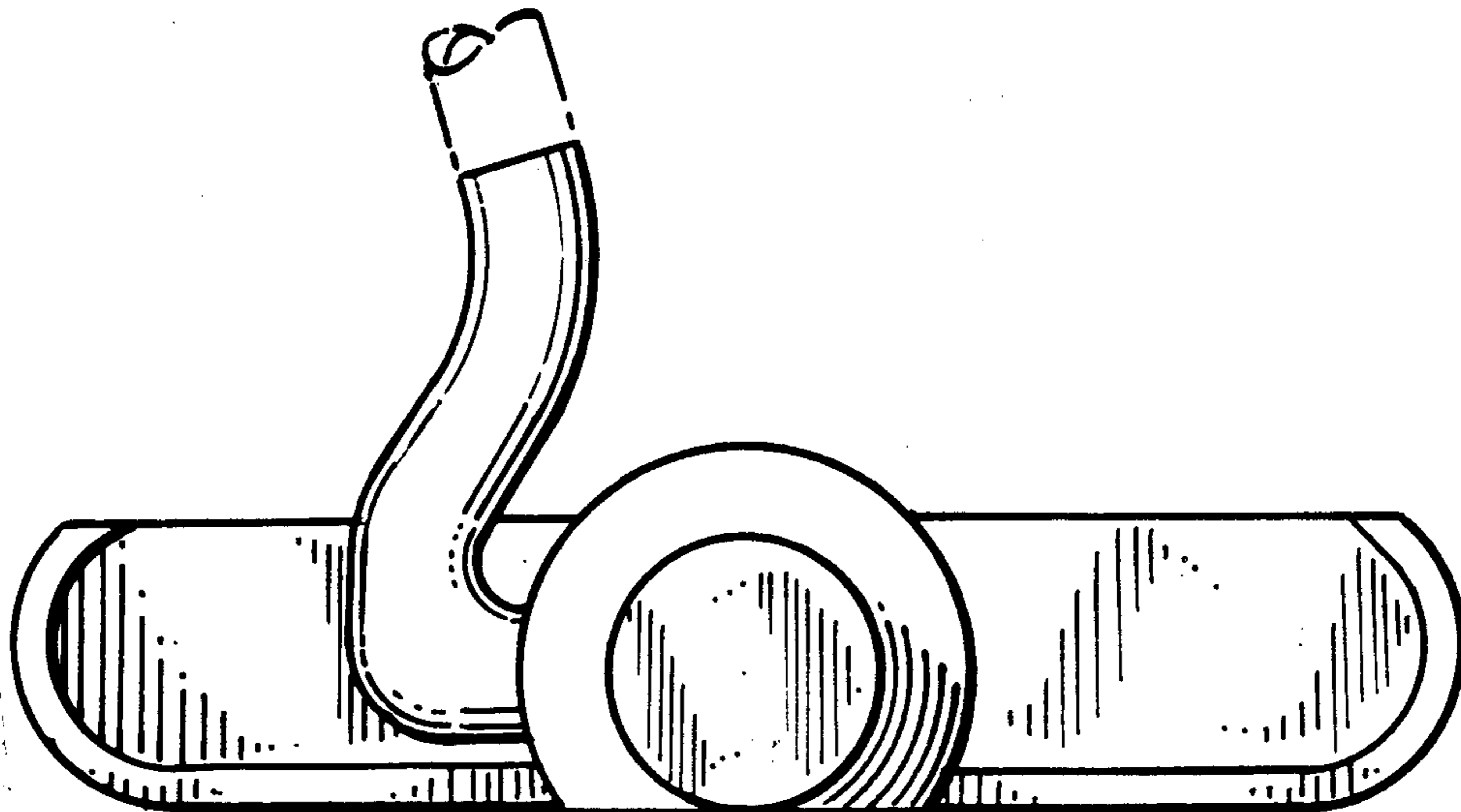


FIG. 1

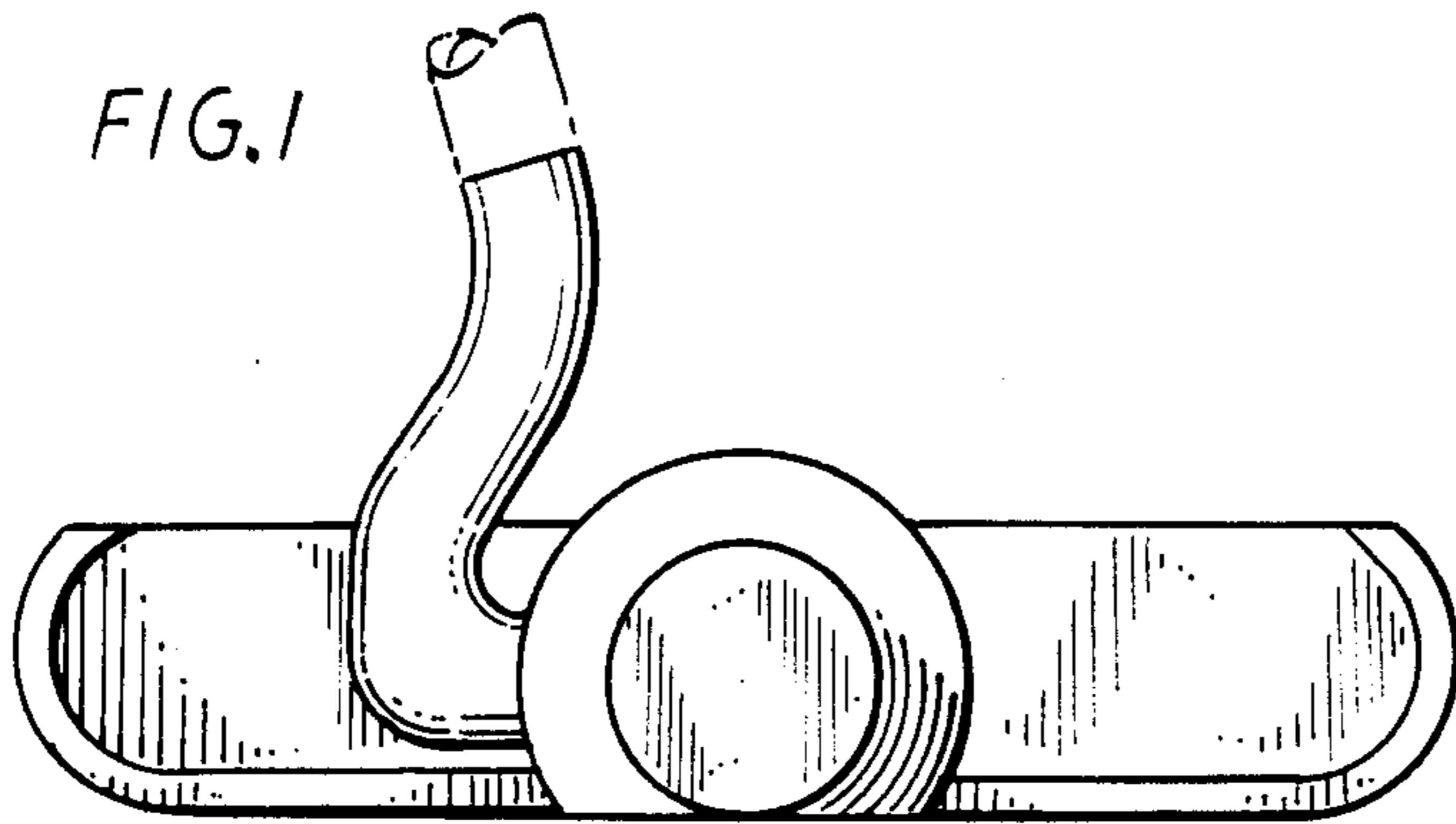


FIG. 2

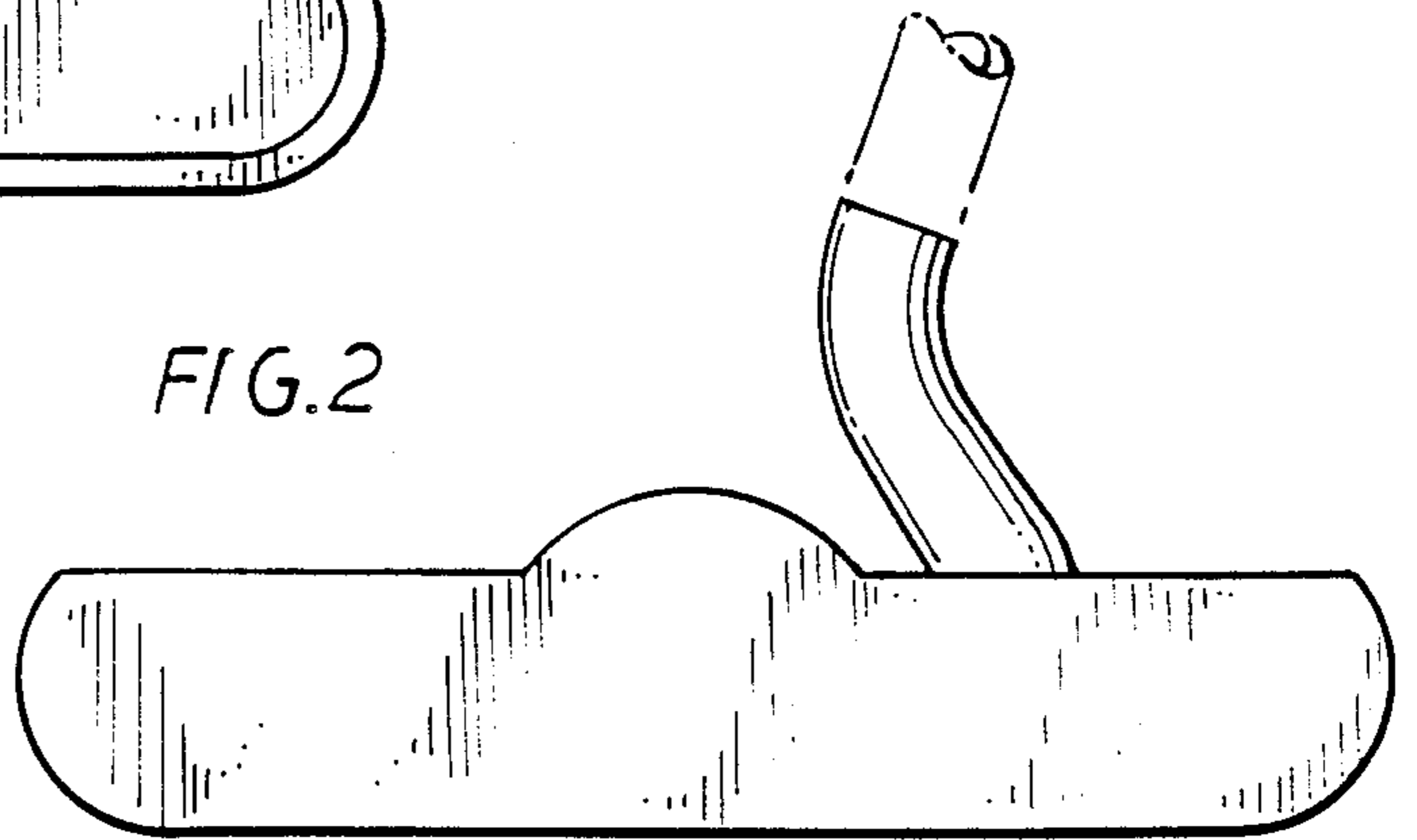


FIG. 3

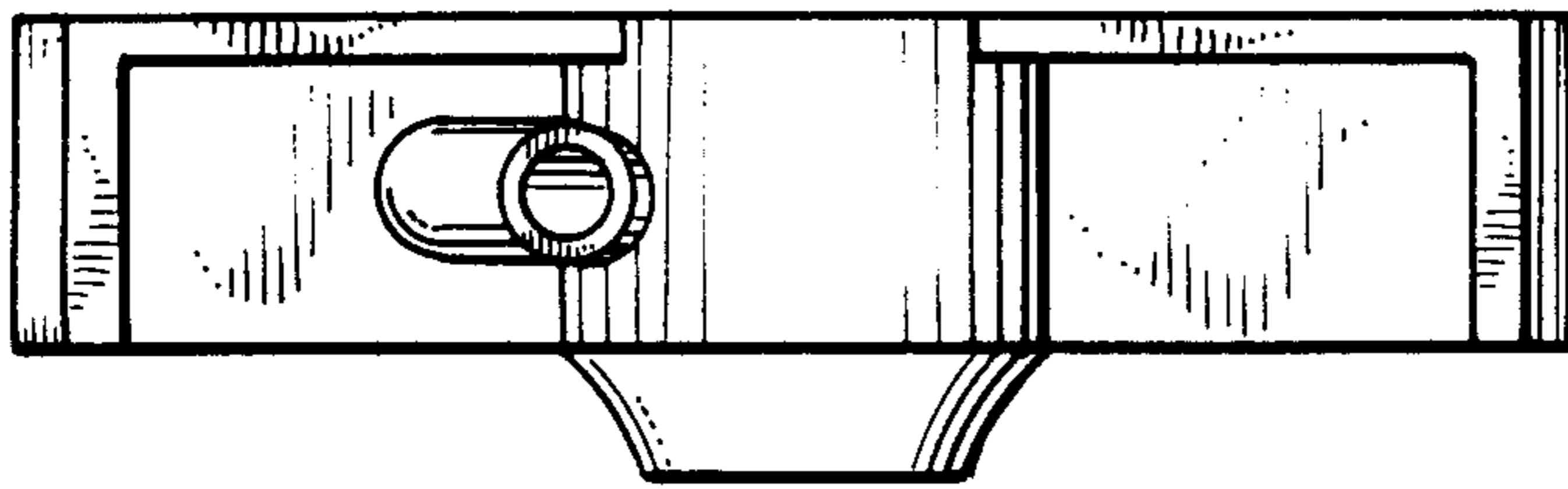


FIG. 4

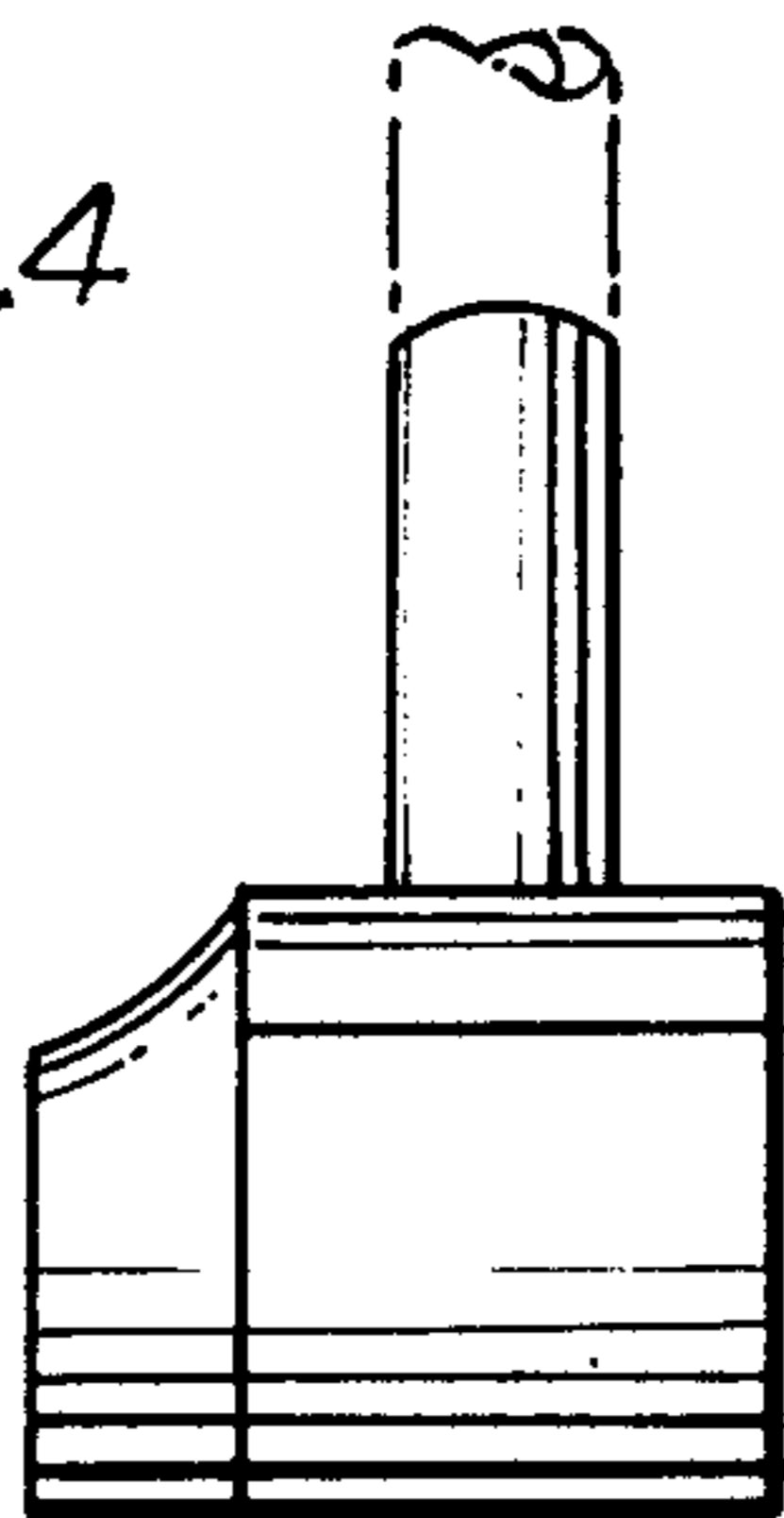


FIG. 5

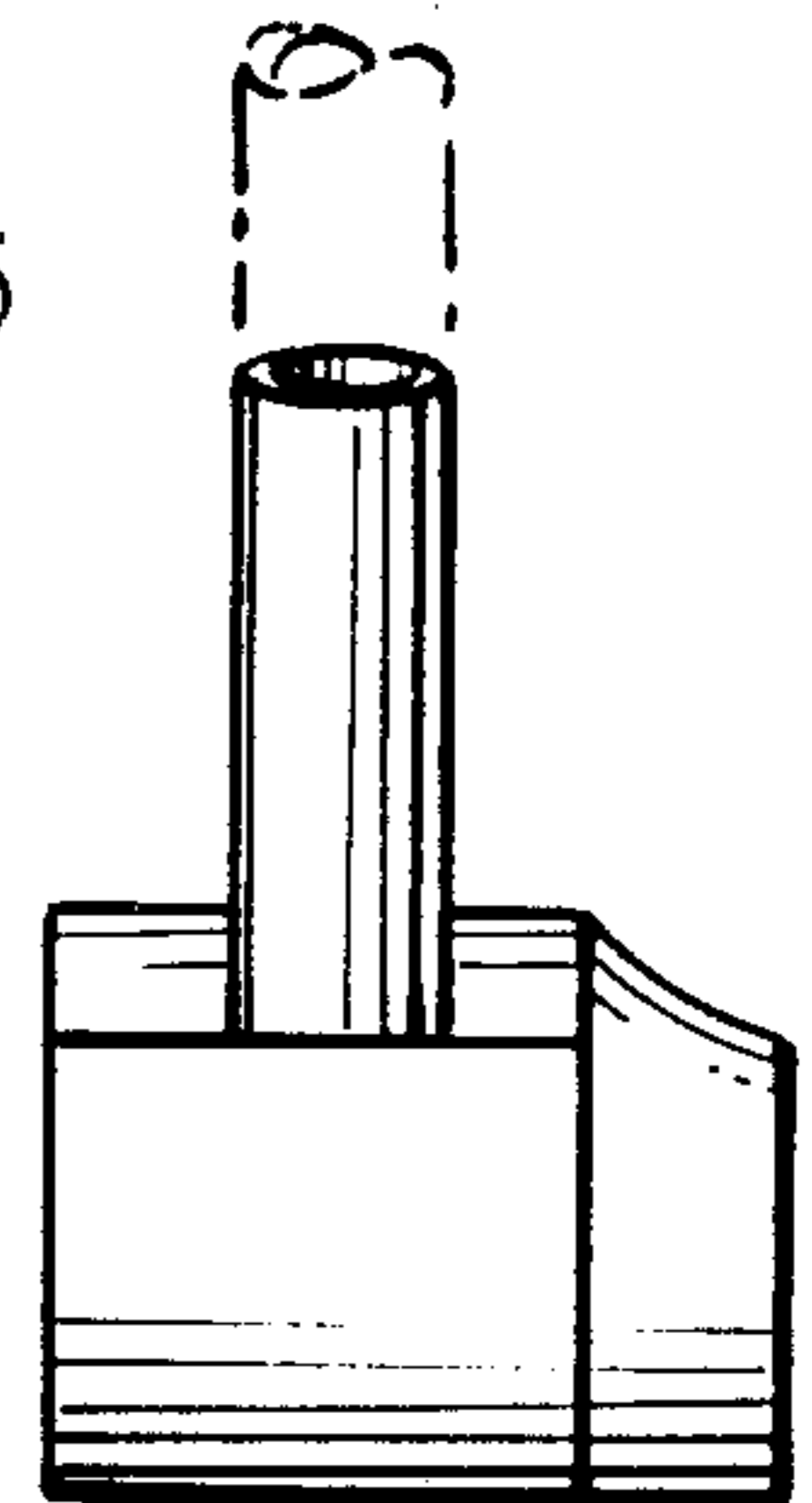


FIG. 6

